



US00D832870S

(12) **United States Design Patent** (10) **Patent No.:** **US D832,870 S**
Hu (45) **Date of Patent:** **** Nov. 6, 2018**

(54) **MOBILE COMMUNICATION TERMINAL
DISPLAY SCREEN WITH GRAPHICAL USER
INTERFACE**

(71) Applicant: **BEIJING KINGSOFT INTERNET
SECURITY SOFTWARE CO., LTD.,
Beijing (CN)**

(72) Inventor: **Suibiao Hu, Beijing (CN)**

(73) Assignee: **Beijing Kingsoft Internet Security
Software Co., Ltd., Beijing (CN)**

(**) Term: **15 Years**

(21) Appl. No.: **29/590,258**

(22) Filed: **Jan. 9, 2017**

(30) **Foreign Application Priority Data**

Aug. 16, 2016 (CN) 2016 3 0393153

(51) **LOC (11) Cl.** **14-04**

(52) **U.S. Cl.**
USPC **D14/486**

(58) **Field of Classification Search**
USPC D14/485–488, 492
CPC G06F 3/04847; G06F 3/0485; G06F 3/048;
G06F 3/0488; H04N 1/00477
See application file for complete search history.

(56) **References Cited**

U.S. PATENT DOCUMENTS

D570,369 S 6/2008 Fletcher
D645,470 S * 9/2011 Matas D14/489
D682,850 S * 5/2013 Del Pasqua D14/485
D700,207 S * 2/2014 Pearson D14/488
D700,912 S * 3/2014 Kim D14/485
D701,220 S * 3/2014 Kim D14/485
D713,411 S * 9/2014 Gall D14/485
D716,316 S * 10/2014 Behzadi D14/485

D716,325 S * 10/2014 Brudnicki D14/486
D717,822 S 11/2014 Brotman et al.
D726,221 S 4/2015 Gomez et al.
D726,748 S * 4/2015 Maekawa D14/486
D727,343 S * 4/2015 Matsuda D14/486
D731,538 S * 6/2015 Lee D14/488
D736,807 S * 8/2015 Lee D14/486
D737,283 S * 8/2015 Scalisi D14/485
D747,731 S * 1/2016 Oliveira D14/486
D749,107 S * 2/2016 Amiya D14/486
D753,681 S * 4/2016 Lim D14/485
D754,682 S * 4/2016 Lee D14/485
D759,662 S * 6/2016 Panjabi D14/485
D763,308 S 8/2016 Wang et al.

(Continued)

Primary Examiner — Darlington Ly

Assistant Examiner — Katherine A Holbrow

(74) *Attorney, Agent, or Firm* — Leanne Taveggia Farrell;
David D. Brush; Westman, Champlin & Koehler, P.A.

(57) **CLAIM**

The ornamental design for a mobile communication terminal display screen with graphical user interface, as shown and described.

DESCRIPTION

FIG. 1 is a front view of a mobile communication terminal display screen with graphical user interface showing a first embodiment of the new design;

FIG. 2 shows the design of FIG. 1, in the context of a different environment;

FIG. 3 is a second embodiment thereof;

FIG. 4 is a third embodiment thereof;

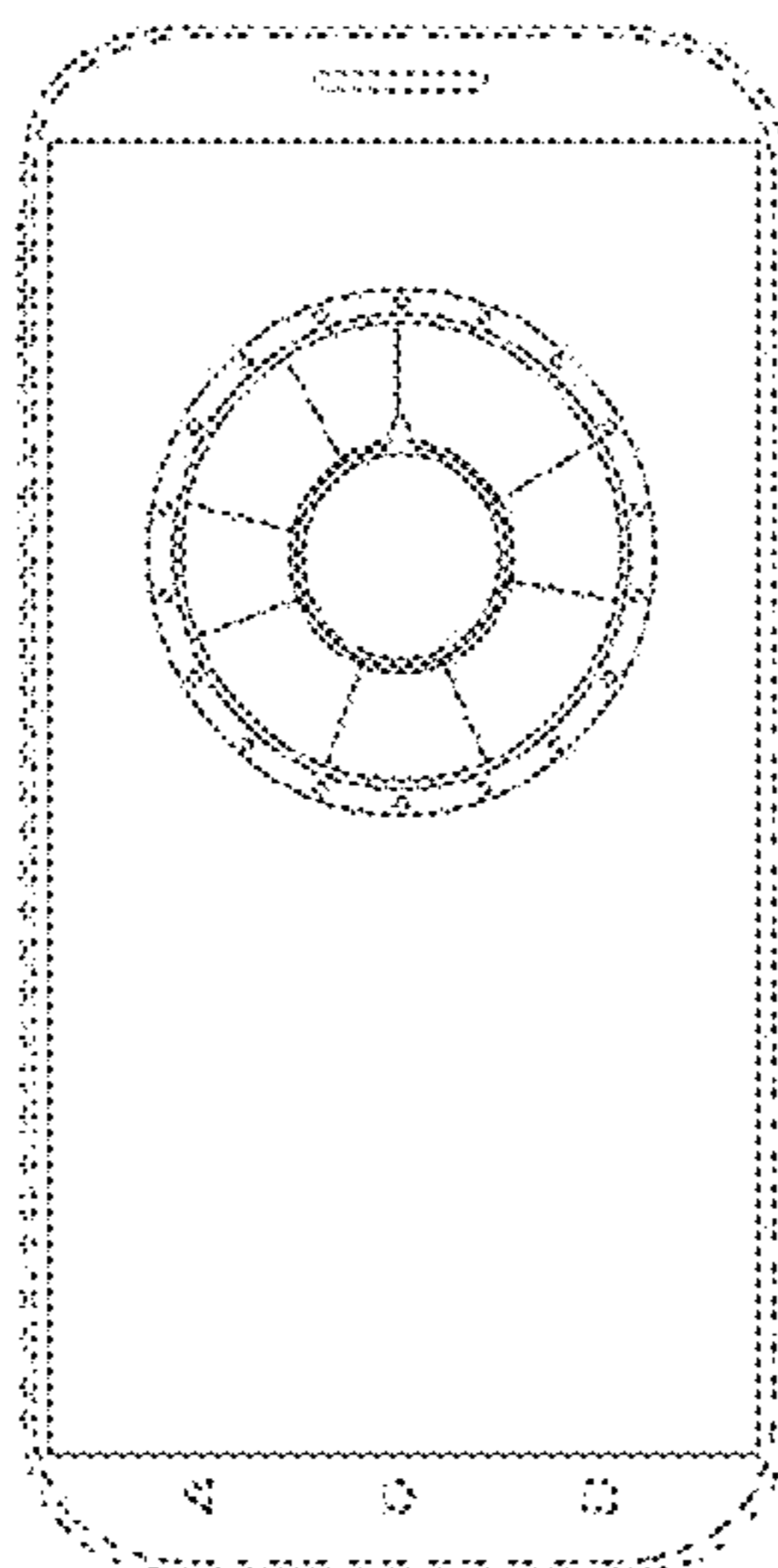
FIG. 5 is a fourth embodiment thereof;

FIG. 6 is a fifth embodiment thereof; and,

FIG. 7 is a sixth embodiment thereof.

The broken line showing of the device and portions of the graphical user interface are included for the purpose of illustrating environmental structure and portions of the article and form no part of the claimed design.

1 Claim, 7 Drawing Sheets



(56)

References Cited

U.S. PATENT DOCUMENTS

D763,860 S *	8/2016	Sunshine	D14/485	D810,755 S *	2/2018	Josephson	D14/485
D763,894 S *	8/2016	Lamparelli	D14/486	D811,421 S *	2/2018	Caldwell	G06Q 40/12 D14/485
D764,516 S *	8/2016	Lamparelli	D14/486	D813,268 S *	3/2018	Cabrera, Jr.	D14/489
D766,917 S *	9/2016	Kwon	D14/485	D813,877 S *	3/2018	Hough	D14/485
D766,958 S *	9/2016	Salazar Cardozo	D14/486	D818,001 S *	5/2018	Elatta	D14/489
D767,586 S *	9/2016	Kwon	D14/485	2003/0169296 A1 *	9/2003	Ito	G06F 3/1205 715/770
D775,148 S *	12/2016	Anzures	D14/485	2005/0010955 A1 *	1/2005	Elia	G06F 3/0482 725/88
D775,165 S *	12/2016	Sun	D14/486	2011/0119079 A1 *	5/2011	Schoenberg	G06F 19/328 705/2
D775,636 S *	1/2017	Tsujimoto	D14/485	2013/0127911 A1 *	5/2013	Brown	G06F 3/04886 345/649
D779,533 S *	2/2017	Liu	D14/486	2013/0218721 A1 *	8/2013	Borhan	G06Q 20/322 705/26.41
D780,781 S *	3/2017	Ding	D14/486	2014/0282040 A1 *	9/2014	Alfaro	H04L 51/20 715/739
D781,326 S *	3/2017	Bray	D14/486	2015/0058427 A1	2/2015	Grignon	
D781,890 S *	3/2017	Gathman	D14/486	2015/0160807 A1 *	6/2015	Vakharia	G06F 3/0484 705/26.63
D783,672 S *	4/2017	Rajasankar	D14/488	2016/0018978 A1	1/2016	Zenoff	
D785,017 S *	4/2017	Wang	D14/486	2016/0098154 A1	4/2016	Ko et al.	
D786,897 S *	5/2017	Nageli	D14/485	2016/0104133 A1 *	4/2016	Davis	G06Q 20/10 705/39
D788,166 S *	5/2017	Hsu	D14/489	2017/0200128 A1 *	7/2017	Kumahara	G06Q 10/1095
D788,785 S *	6/2017	Flood	D14/485				
D794,047 S *	8/2017	Gandhi	D14/485				
D794,048 S *	8/2017	Lee	D14/485				
D798,889 S *	10/2017	Mochel	D14/486				
D802,020 S *	11/2017	Kim	D14/492				
D802,614 S *	11/2017	Bae	D14/486				
D805,524 S *	12/2017	Wang	D14/485				

* cited by examiner

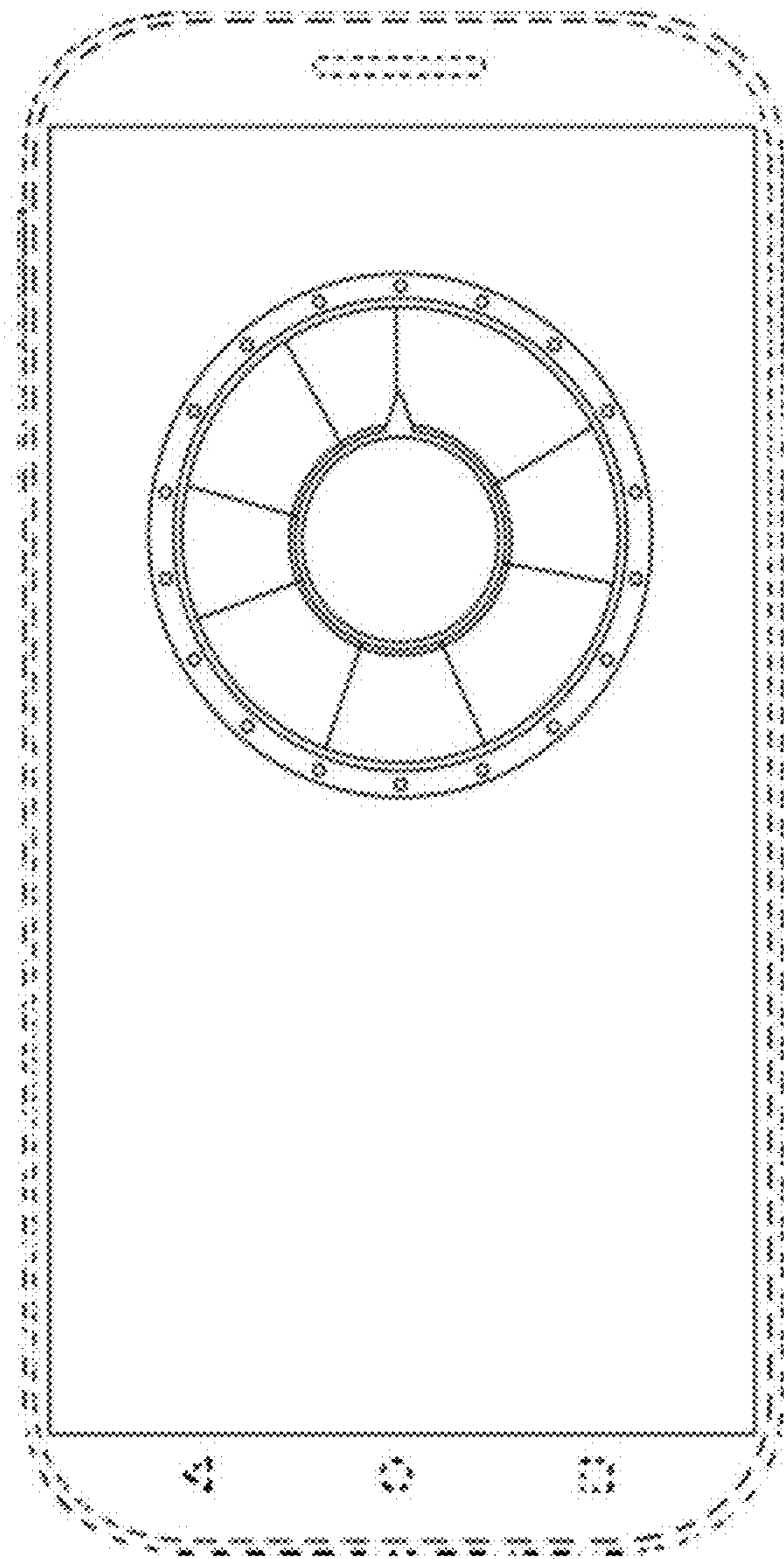


FIG. 1

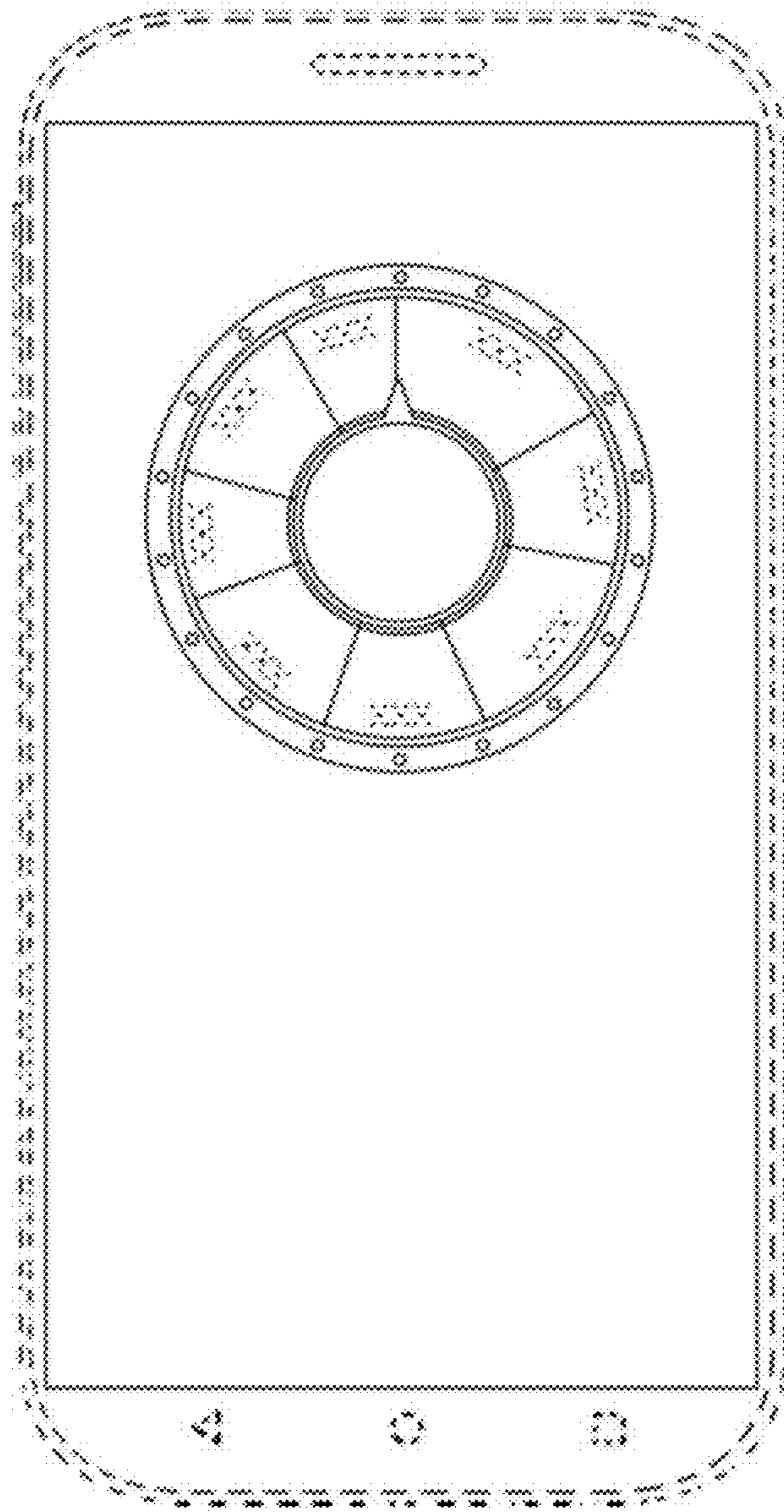


FIG. 2

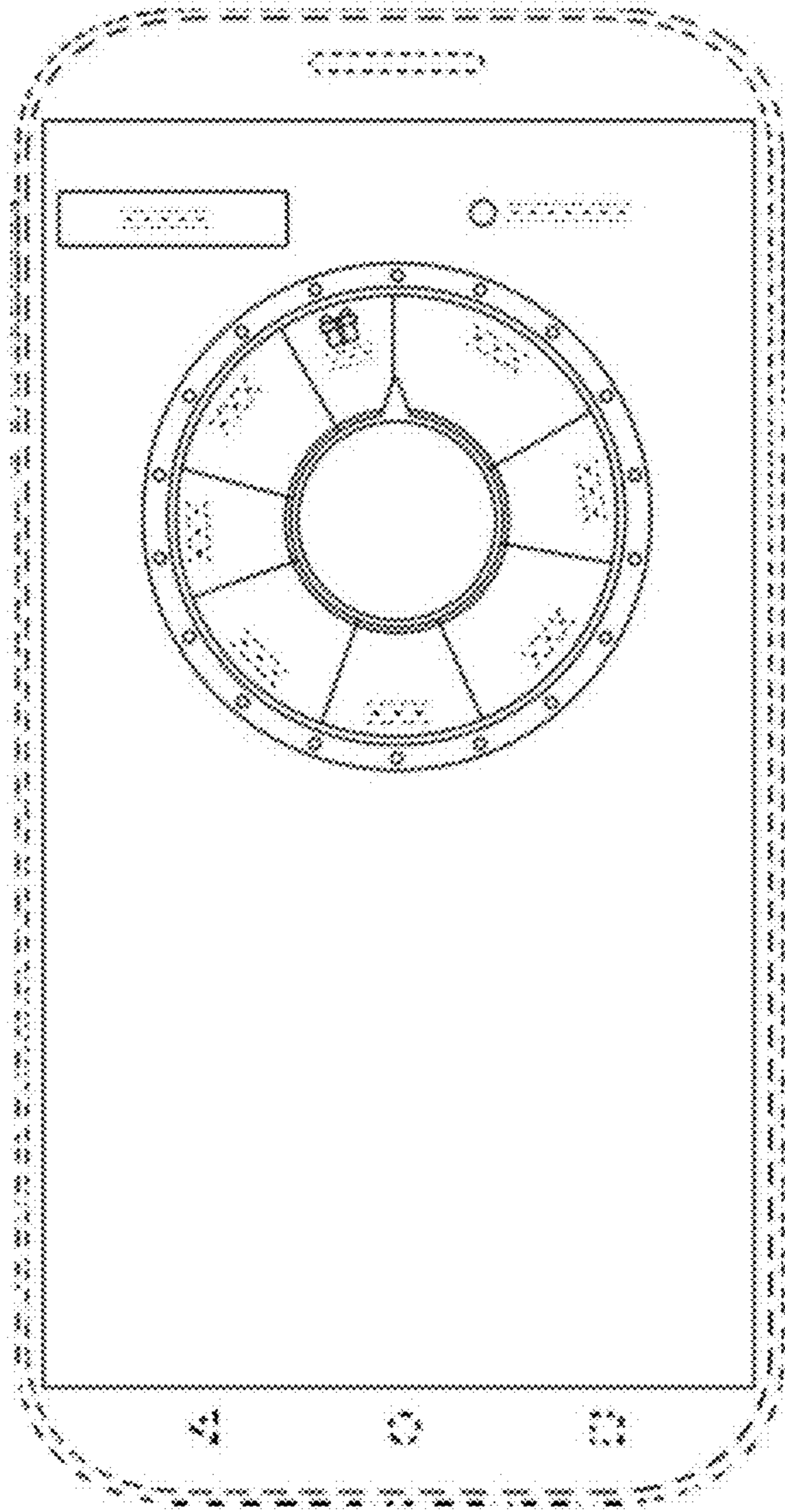


FIG. 3

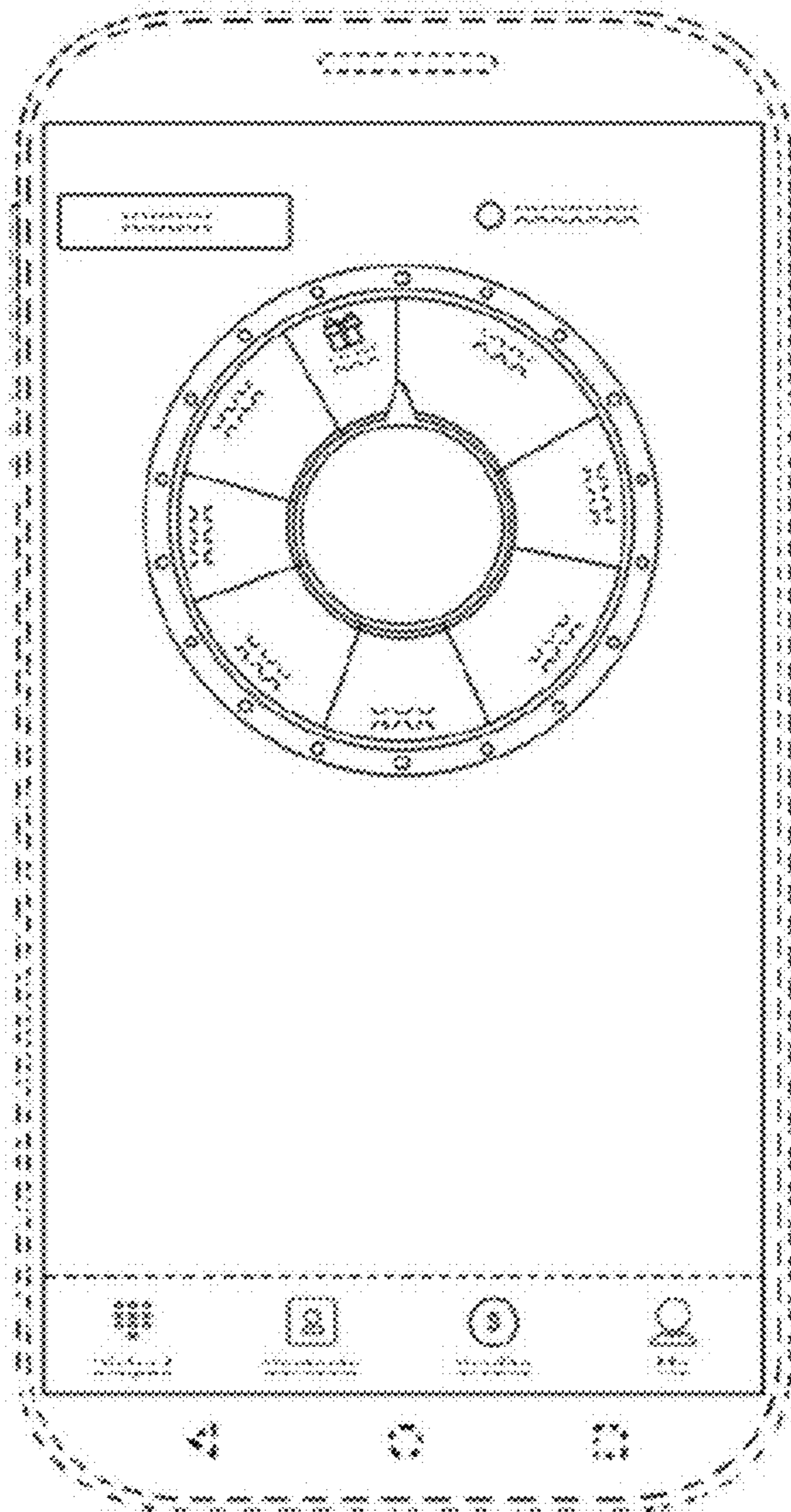


FIG. 4

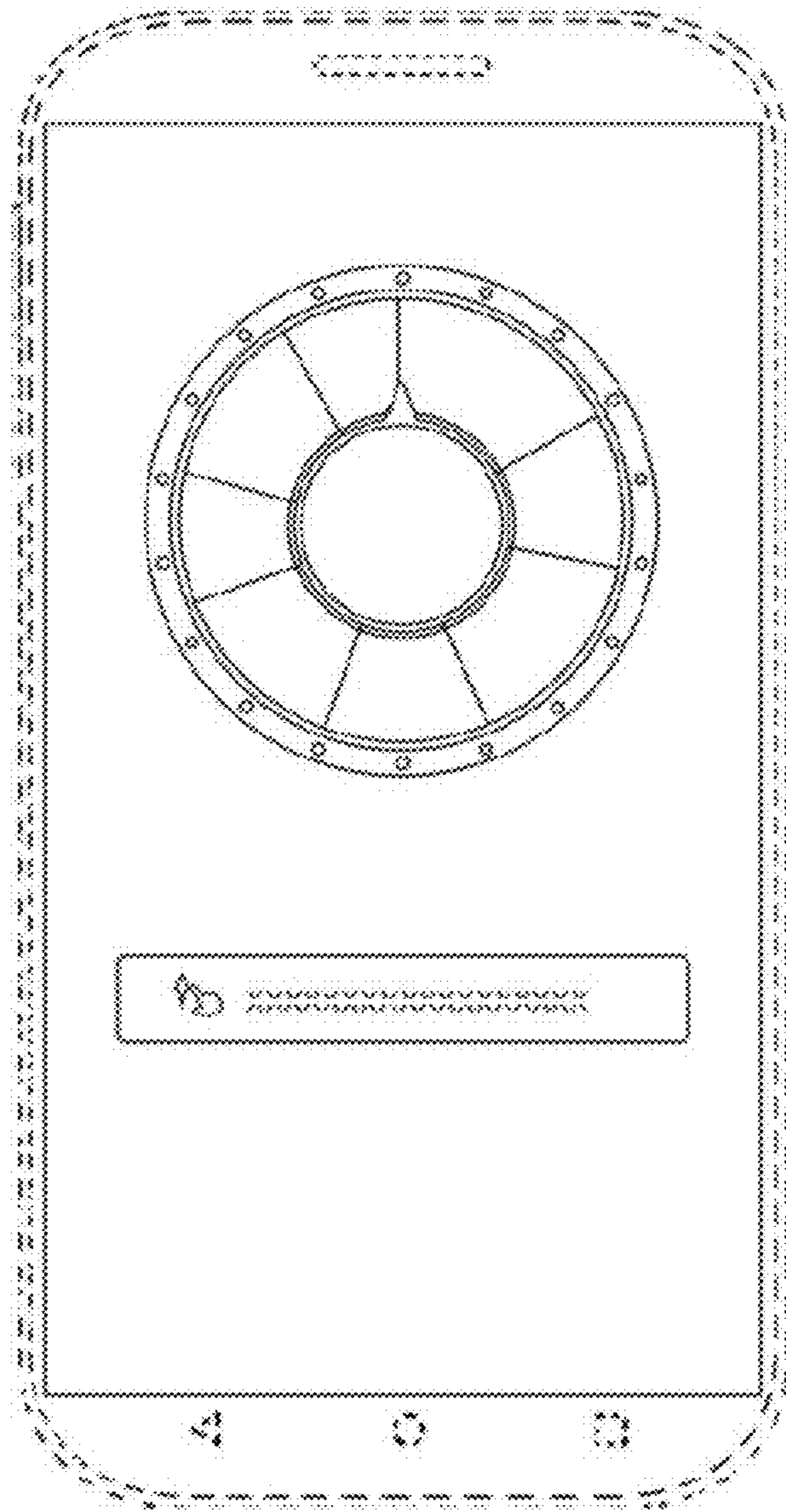


FIG. 5

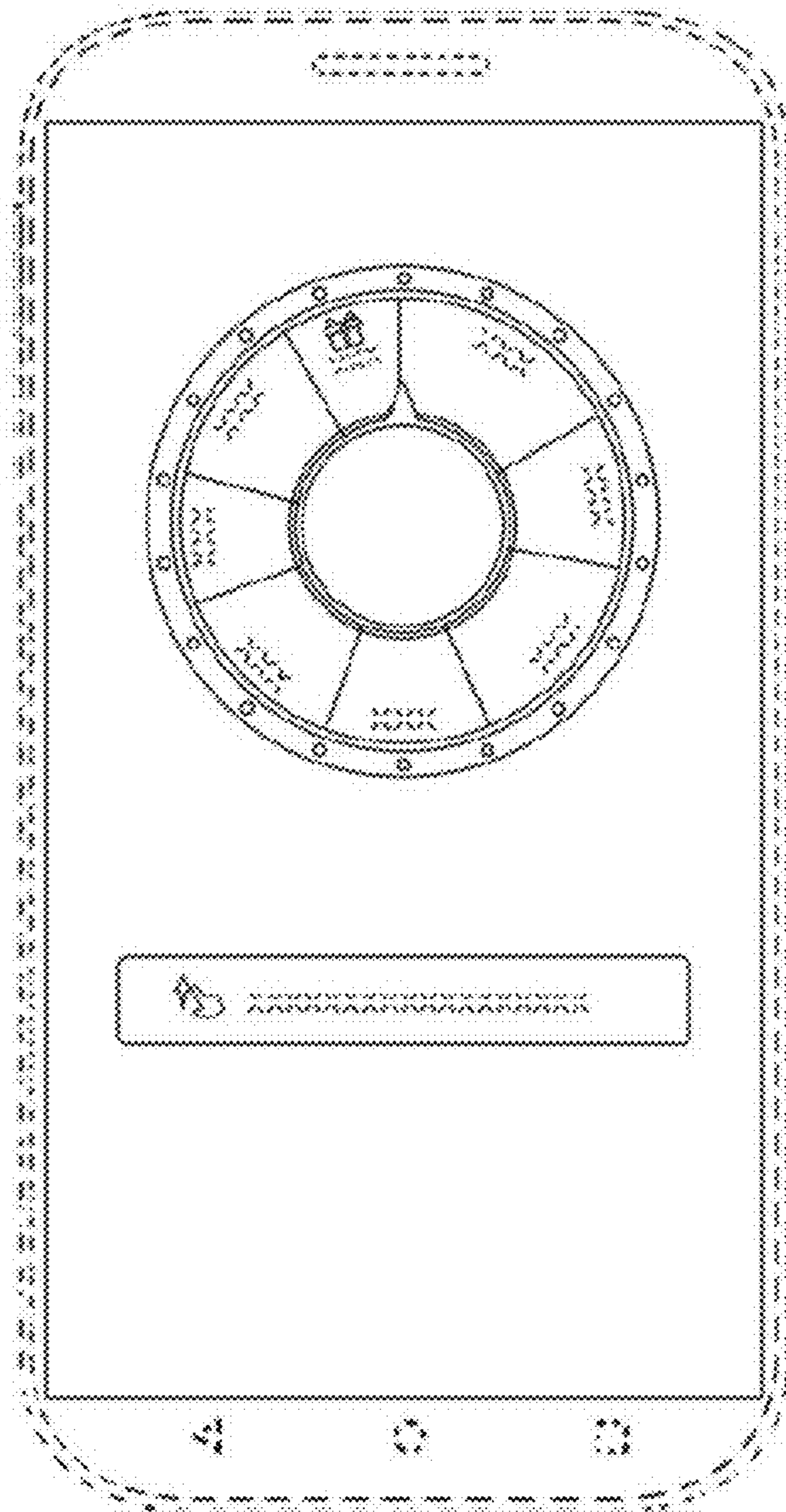


FIG. 6

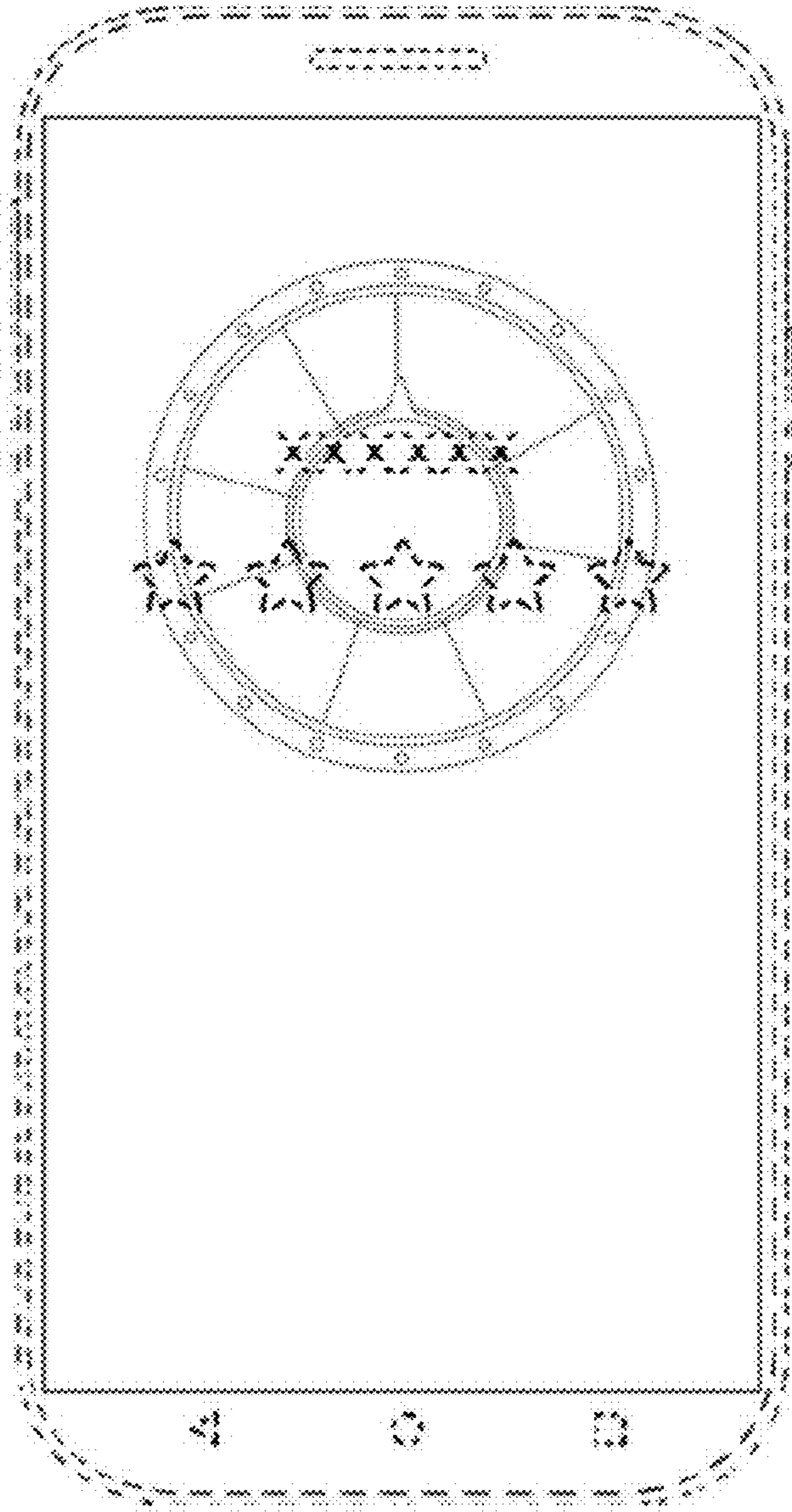


FIG. 7