

US00D832862S

(12) **United States Design Patent** (10) **Patent No.:** **US D832,862 S**
Crone et al. (45) **Date of Patent:** **** Nov. 6, 2018**

(54) **BREATHING APPARATUS DISPLAY SCREEN WITH GRAPHICAL USER INTERFACE**

7,244,225 B2 7/2007 Loeb
D549,721 S 8/2007 Ito
D549,722 S 8/2007 Ito
D552,121 S 10/2007 Carl
D552,122 S 10/2007 Carl
D563,977 S 3/2008 Carl
D585,903 S 2/2009 Yamaoka
D590,778 S 4/2009 Drews
D591,246 S 4/2009 Drews et al.

(71) Applicant: **Fisher & Paykel Healthcare Limited**,
Auckland (NZ)

(72) Inventors: **Christopher Malcolm Crone**,
Auckland (NZ); **Christopher Simon**
James Quill, Auckland (NZ); **Jack**
Che-Wei Hsu, Manukau (NZ)

(Continued)

(73) Assignee: **Fisher & Paykel Healthcare Limited**,
Auckland (NZ)

(**) Term: **15 Years**

(21) Appl. No.: **29/573,369**

(22) Filed: **Aug. 4, 2016**

OTHER PUBLICATIONS

“IDEA: Design Award Winners, 2008.” Bloomberg Business. 2008.
Accessed Jan. 19, 2016. Available online at URL:<http://www.bloomberg.com/ss/08/07/0717_idea_winners/117.htm>.

(Continued)

Primary Examiner — Deanna L Pratt

(74) *Attorney, Agent, or Firm* — Knobbe Martens Olson
& Bear, LLP

Related U.S. Application Data

(62) Division of application No. 29/476,920, filed on Dec.
18, 2013, now Pat. No. Des. 766,324.

(51) **LOC (11) Cl.** **14-04**

(52) **U.S. Cl.**
USPC **D14/485; D14/492**

(58) **Field of Classification Search**
USPC D14/485–495
CPC .. G06F 3/0481; G06F 3/0482; G06F 3/04817;
G06F 3/04883; G06F 3/04815; G06F
3/0485; G06F 3/04886
See application file for complete search history.

(57) **CLAIM**

The ornamental design for a breathing apparatus display screen with graphical user interface, as shown and described.

DESCRIPTION

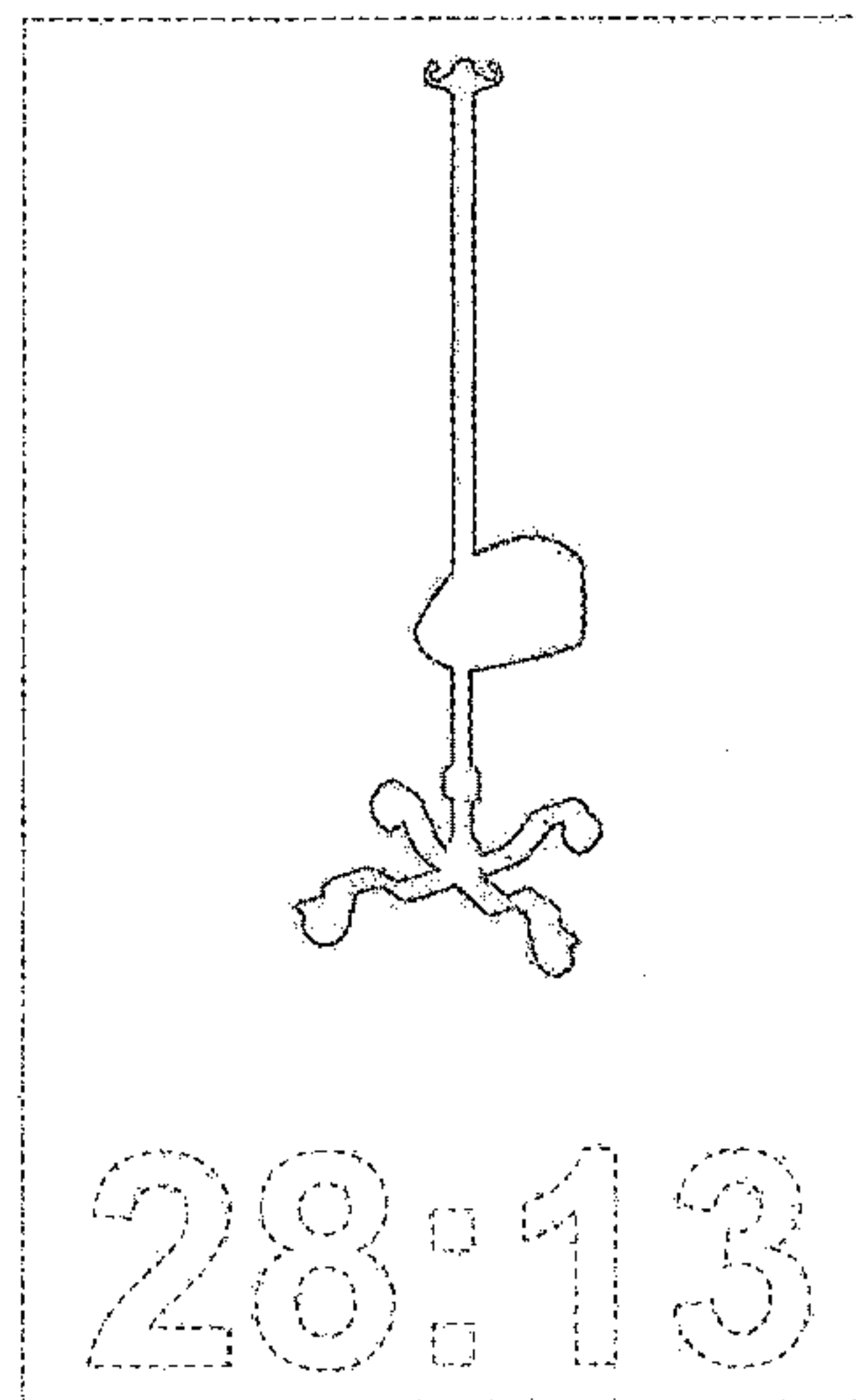
FIG. 1 is a front view of a breathing apparatus display screen with graphical user interface for a display screen or portion thereof;
FIG. 2 is a front view of the breathing apparatus display screen with graphical user interface of FIG. 1 in an alternate unclaimed environment; and,
FIG. 3 is a front view of the breathing apparatus display screen with graphical user interface of FIG. 1 in a second alternate unclaimed environment.
The broken lines in the Figures showing a display screen or portion thereof, text, and other elements form no part of the claimed design.

(56) **References Cited**

U.S. PATENT DOCUMENTS

D414,554 S 9/1999 Salmon et al.
D432,100 S 10/2000 Zink
D522,121 S 5/2006 Carl
D523,868 S 6/2006 Kuroda
D533,875 S 12/2006 Miles

1 Claim, 3 Drawing Sheets



(56)

References Cited

U.S. PATENT DOCUMENTS

D591,692 S 5/2009 Drews et al.
 D592,153 S 5/2009 Engel et al.
 D592,154 S 5/2009 Drews et al.
 D592,155 S 5/2009 Drews et al.
 D592,156 S 5/2009 Drews et al.
 D592,184 S 5/2009 Ragde, Jr. et al.
 D602,944 S 10/2009 Barkhouse et al.
 D623,194 S 9/2010 Cook
 D626,560 S 11/2010 Fitzmaurice et al.
 D626,561 S 11/2010 Batchelder et al.
 D637,607 S 5/2011 Batchelder et al.
 D637,608 S 5/2011 Batchelder et al.
 D637,609 S 5/2011 Batchelder et al.
 D637,610 S 5/2011 Batchelder et al.
 D637,611 S 5/2011 Batchelder et al.
 D637,612 S 5/2011 Batchelder et al.
 D637,613 S 5/2011 Batchelder
 D637,614 S 5/2011 Batchelder
 D637,615 S 5/2011 Batchelder
 D638,028 S 5/2011 Cook et al.
 D647,102 S 10/2011 Tokunaga et al.
 D649,557 S 11/2011 Duchene et al.
 D657,368 S 4/2012 Magee et al.
 D667,837 S 9/2012 Magee et al.
 D667,838 S 9/2012 Magee et al.
 D678,302 S 3/2013 Trumble et al.
 D683,764 S 6/2013 Ridl
 8,460,223 B2 6/2013 Huster
 D686,240 S 7/2013 Lin

D687,445 S 8/2013 Fuhrmann
 D687,838 S 8/2013 Poeppel
 D688,679 S 8/2013 Osborne
 D709,082 S 7/2014 Meegan
 D709,083 S 7/2014 Meegan
 D711,419 S 8/2014 Folken
 D711,904 S 8/2014 Sundy
 D711,905 S 8/2014 Morrison
 D717,811 S 11/2014 Alldredge
 D737,284 S 8/2015 Folken
 D737,285 S 8/2015 Folken
 D737,286 S 8/2015 Folken
 D737,287 S 8/2015 Folken
 D743,982 S 11/2015 Lee
 D754,194 S 4/2016 Su
 D766,324 S * 9/2016 Crone D14/492
 D770,522 S * 11/2016 Crone D14/489
 D775,663 S * 1/2017 Akana D14/489
 D776,143 S * 1/2017 Makowski D14/486
 2009/0150807 A1 6/2009 George
 2015/0020801 A1 1/2015 Frame et al.

OTHER PUBLICATIONS

“3rd render of saline stands.” Dreamstime.com. Date not available. Accessed Jan. 19, 2016. Available online at URL: <<http://www.dreamstime.com/illustration/saline.html#details40047035>>.
 “Stainless Steel IV Poles: C-IV-1001D.” Centicare Corporation. Date not available. Accessed Jan. 19, 2016. Available online at URL: <http://www.centicare.com/iv_1001D.html>.

* cited by examiner

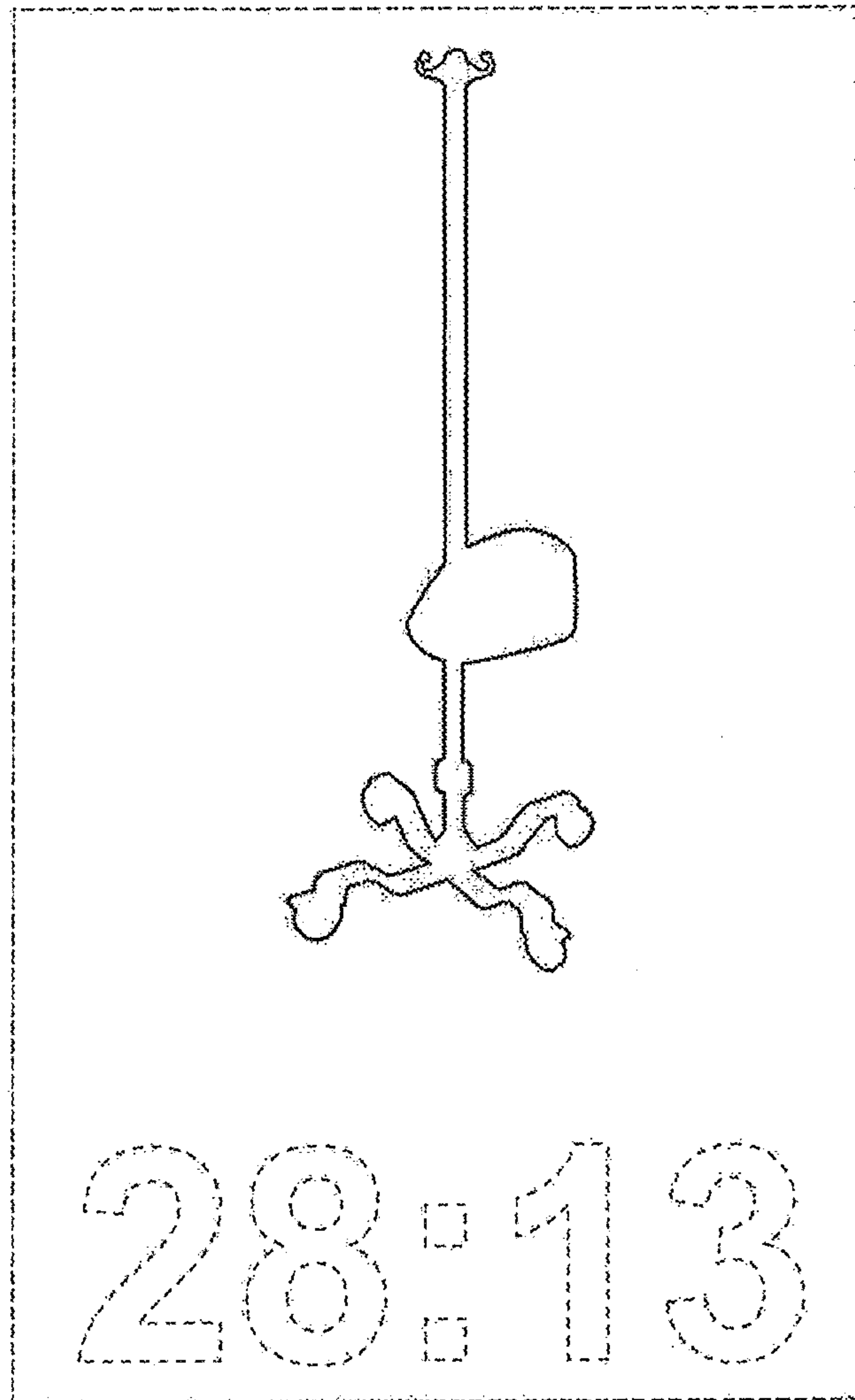


FIG. 1

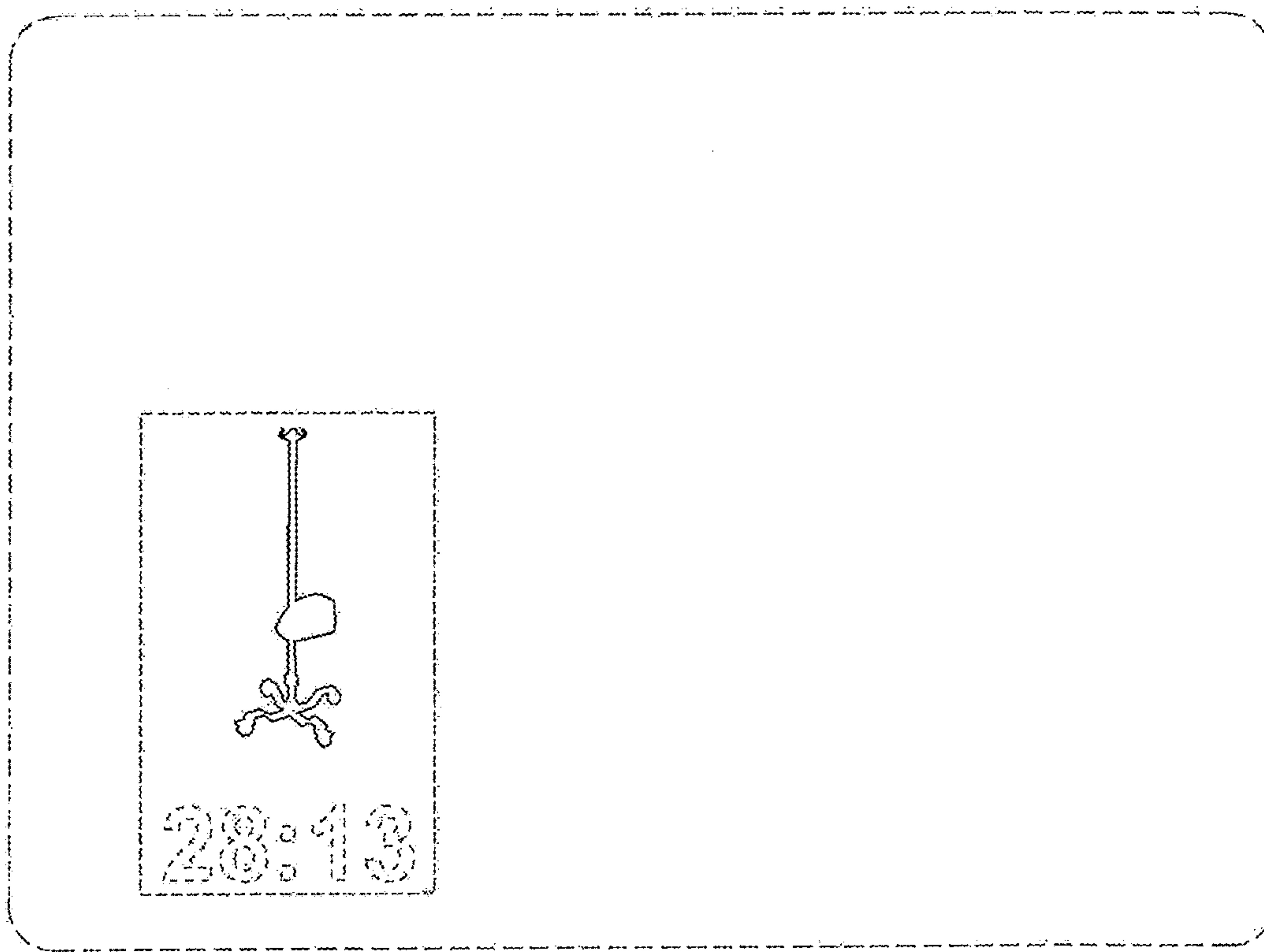


FIG. 2

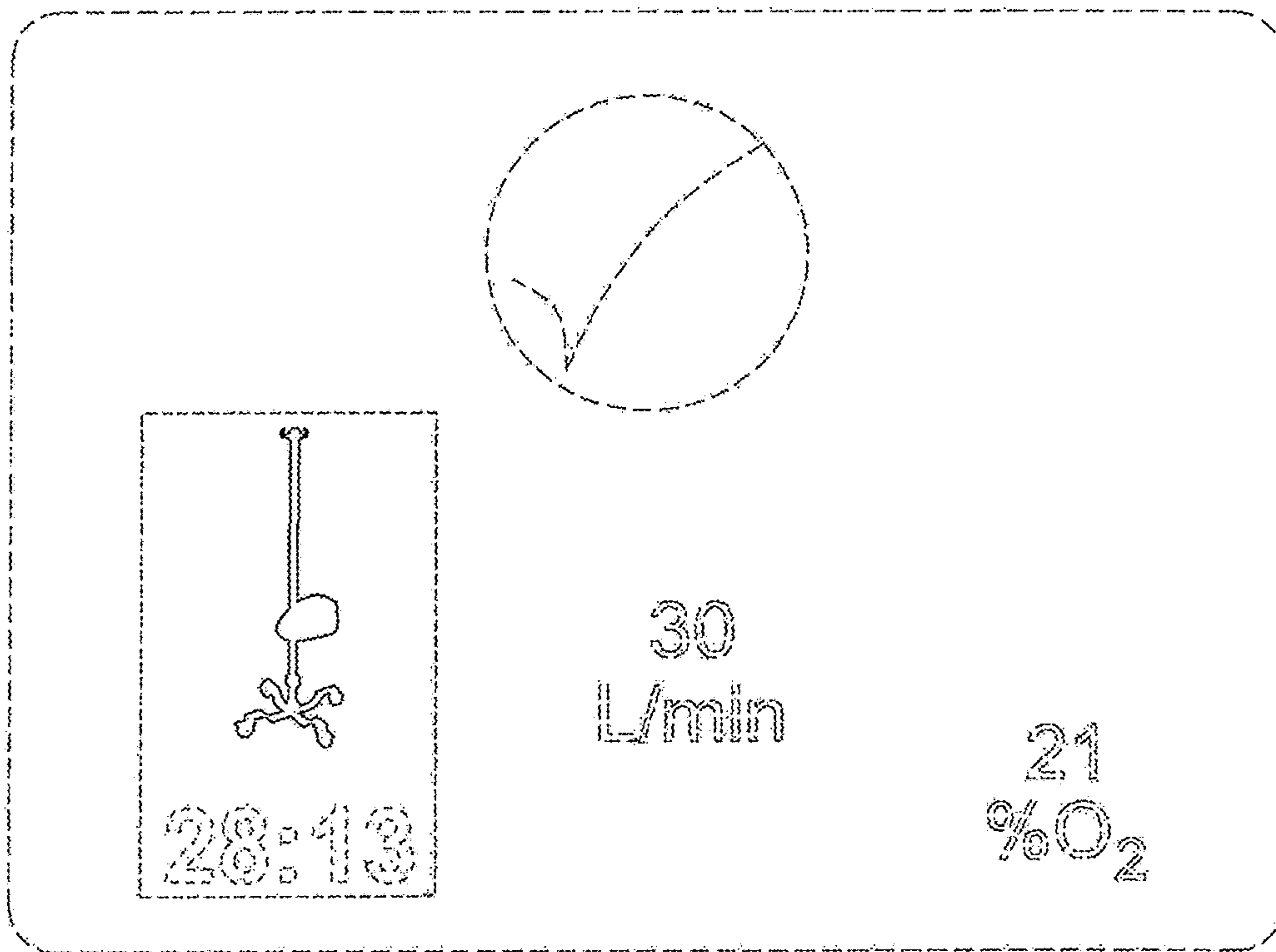


FIG. 3