



US00D832860S

(12) **United States Design Patent**
Murphey et al.

(10) **Patent No.:** **US D832,860 S**
(45) **Date of Patent:** **** Nov. 6, 2018**

(54) **SWIVEL MOUNTING BRACKET**

DESCRIPTION

- (71) Applicant: **B&B Molders, LLC**, Mishawaka, IN (US)
- (72) Inventors: **Brad Murphey**, Osceola, IN (US);
Brian Shinabrager, Elkhart, IN (US);
Adam Schramski, Mishawaka, IN (US);
Mike Dittrich, Granger, IN (US)
- (73) Assignee: **B&B MOLDERS, LLC.**, Mishawaka, IN (US)
- (**) Term: **14 Years**
- (21) Appl. No.: **29/515,247**
- (22) Filed: **Jan. 21, 2015**
- (51) **LOC (11) Cl.** **14-02**
- (52) **U.S. Cl.**
USPC **D14/452**
- (58) **Field of Classification Search**
USPC D14/371-382, 125-129, 335-337,
D14/447-452, 492, 239, 457, 439-441,
(Continued)

(56) **References Cited**

U.S. PATENT DOCUMENTS

- 4,928,202 A * 5/1990 Gale F16L 19/005
174/47
- 5,160,176 A * 11/1992 Gale F16L 27/026
285/145.3

(Continued)

Primary Examiner — Katie Jane Stofko

(74) *Attorney, Agent, or Firm* — Stephen T. Olson;
Harness, Dickey & Pierce, P.L.C.

(57) **CLAIM**

The ornamental design for a swivel mounting bracket, as shown and described.

FIG. 1 is an exploded perspective view of an ornamental design of a swivel mounting bracket including an upper bushing, two bracket members and a lower bushing according to the present invention.

FIG. 2 is a front elevational view of the swivel mounting bracket of FIG. 1.

FIG. 3 is a rear elevational view of the swivel mounting bracket of FIG. 1.

FIG. 4 is a left side elevational view of the swivel mounting bracket of FIG. 1.

FIG. 5 is a perspective view of the bracket member shown in FIG. 1.

FIG. 6 is a rear elevational view of the bracket member shown in FIG. 5.

FIG. 7 is a top plan view of the bracket member shown in FIG. 5.

FIG. 8 is a bottom plan view of the bracket member shown in FIG. 5.

FIG. 9 is a front elevational view of the bracket member shown in FIG. 5.

FIG. 10 is a left side elevational view of the bracket member shown in FIG. 5.

FIG. 11 is a perspective view of the lower bushing shown in FIG. 1.

FIG. 12 is a bottom plan view of the bushing shown in FIG. 11.

FIG. 13 is a top plan view of the bushing shown in FIG. 11.

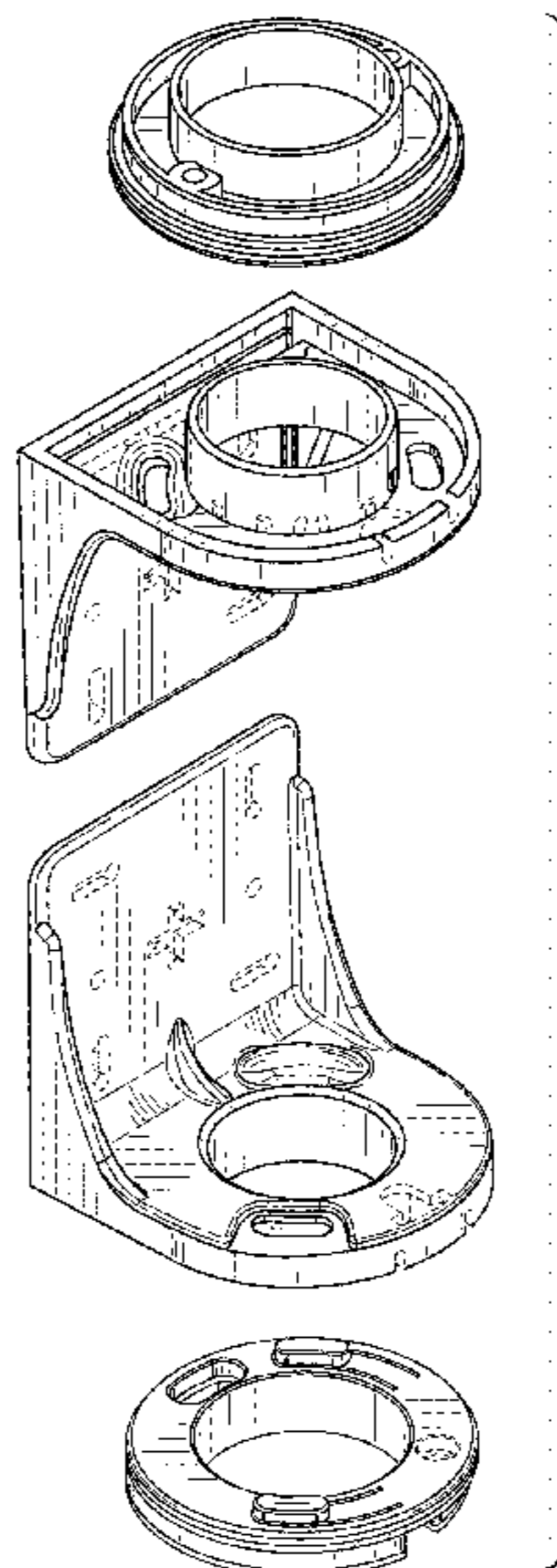
FIG. 14 is a bottom perspective view of the upper bushing shown in FIG. 1.

FIG. 15 is a bottom plan view of the bushing shown in FIG. 14; and,

FIG. 16 is a top plan view of the bushing shown in FIG. 14.

The broken lines in the drawings illustrate portions of the swivel mounting bracket that form no part of the claimed design.

1 Claim, 11 Drawing Sheets



(58) **Field of Classification Search**

USPC D14/432, 251-253, 434; D8/349, 354,
D8/363, 373, 376, 380; 348/180, 184,
348/325, 739, 825; D12/407, 415;
D3/218; 341/12; 248/323, 278.1, 286.1;
473/422, 429; 42/94; 285/145.3, 151.1,
285/189, 354
CPC G06F 3/0412; G06F 3/016; G06F 3/0488;
G06F 3/011; G06F 3/038; G06F 3/03543;
G06F 3/0338; G06F 3/0202; G06F
3/0219; G06F 3/0213; G06F 1/1616;
G06F 3/023; G06F 3/04883; G02F
1/13338; G02F 1/1313; G02F 1/1333;
G02F 1/135; G02F 1/132; G02F
1/133308; G02F 1/134309; G02F
1/13718; G09G 3/3648; G06K 15/1252;
G03F 7/70291; F16M 13/02; F16M
13/00; F16M 11/10; F16M 11/04; F16M
2200/08; F16M 11/2021; H02G 3/126;
A47G 1/17; A47K 2201/00; B41J 2/465;
G02B 27/0172; G02B 5/30; G02B
2027/0118; G02B 27/0101; A47B
21/0314; A47B 88/044; A47B 2021/0335;
F16B 47/00; F16B 47/006

See application file for complete search history.

(56)

References Cited

U.S. PATENT DOCUMENTS

5,303,914 A * 4/1994 Cooksey A63B 69/0091
473/429
5,335,946 A * 8/1994 Dent F16L 21/04
285/243
6,390,939 B1 * 5/2002 Palacios A63B 69/0002
473/422
6,883,836 B2 * 4/2005 Breay F16L 5/025
285/145.4
6,988,746 B2 * 1/2006 Olson F16L 19/12
285/149.1
7,384,005 B1 * 6/2008 Caine B08B 9/093
239/229
7,802,764 B2 * 9/2010 Leinen A61M 5/1415
248/129
8,291,633 B1 * 10/2012 Hass F41A 23/10
42/72
8,366,155 B1 * 2/2013 Nolasco F16L 55/17
285/330
D713,921 S * 9/2014 Williams D22/109
2004/0089349 A1 * 5/2004 Meyer F16K 15/142
137/517

* cited by examiner

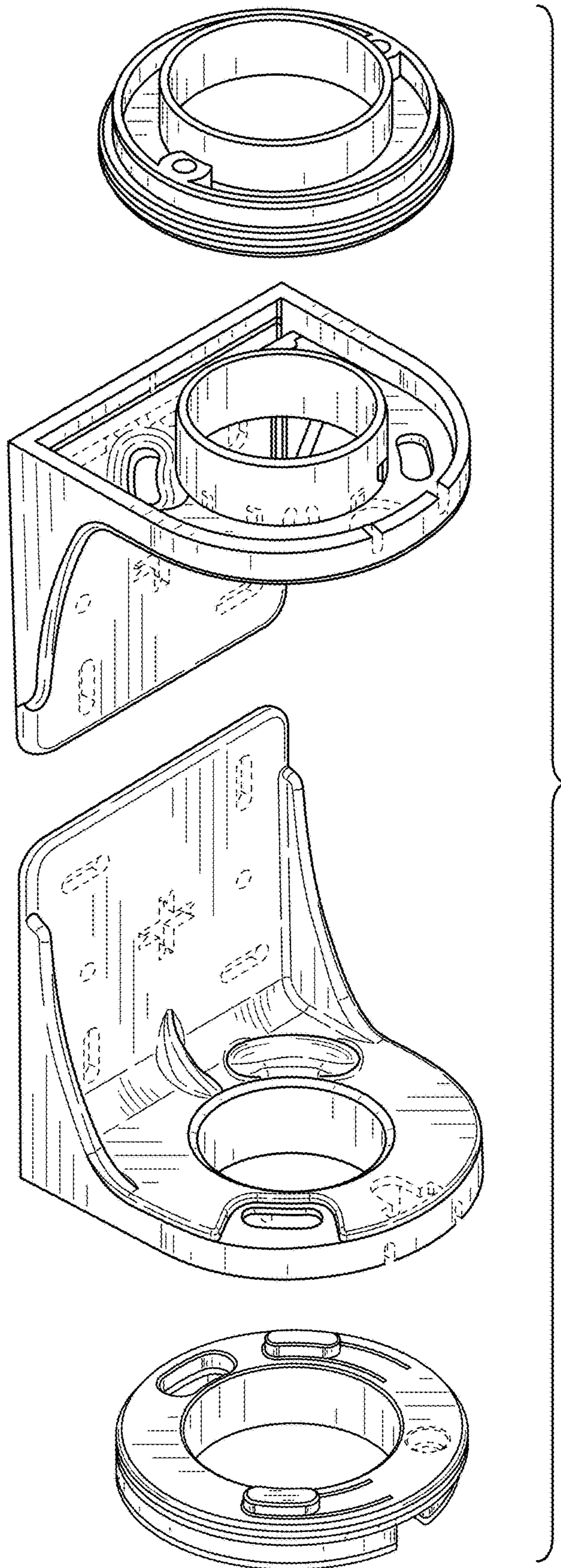


FIG. 1

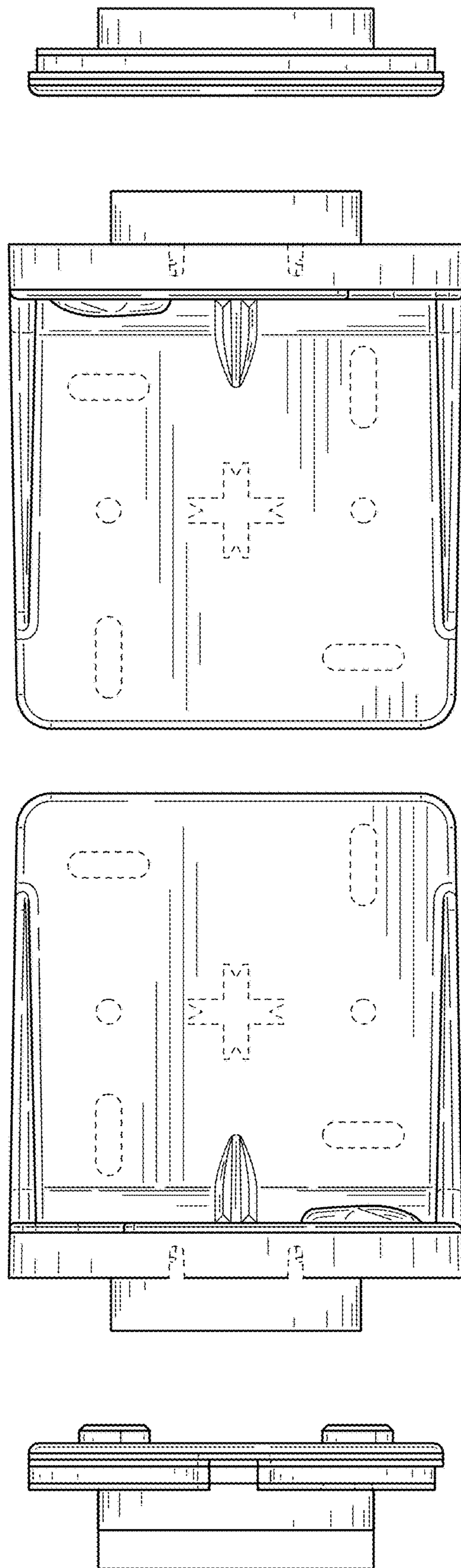


FIG. 2

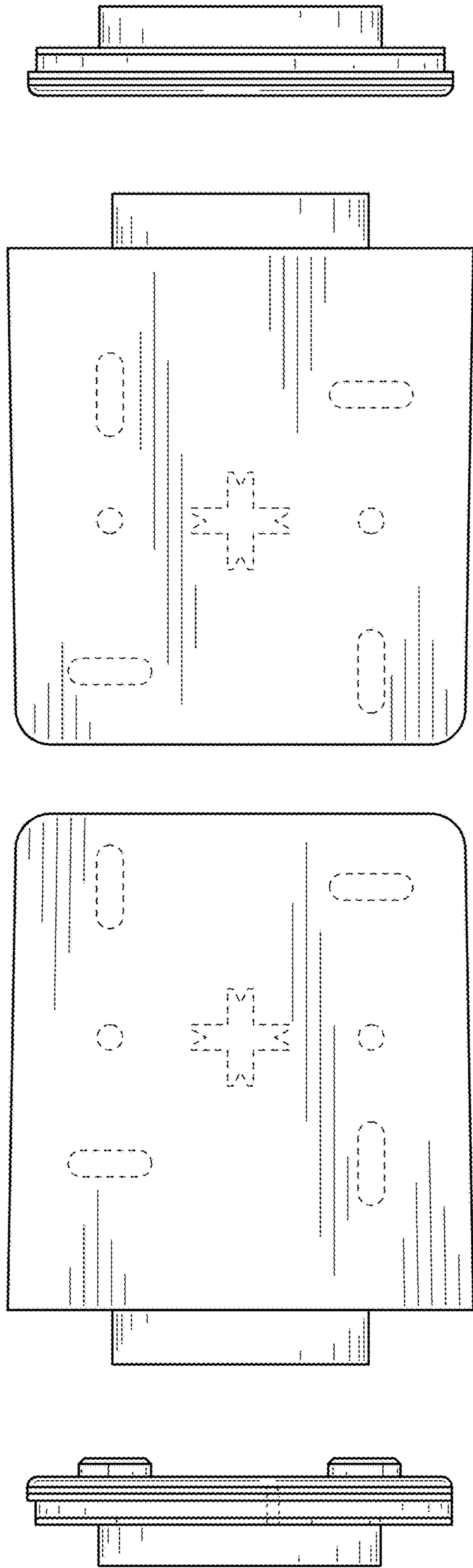


FIG. 3

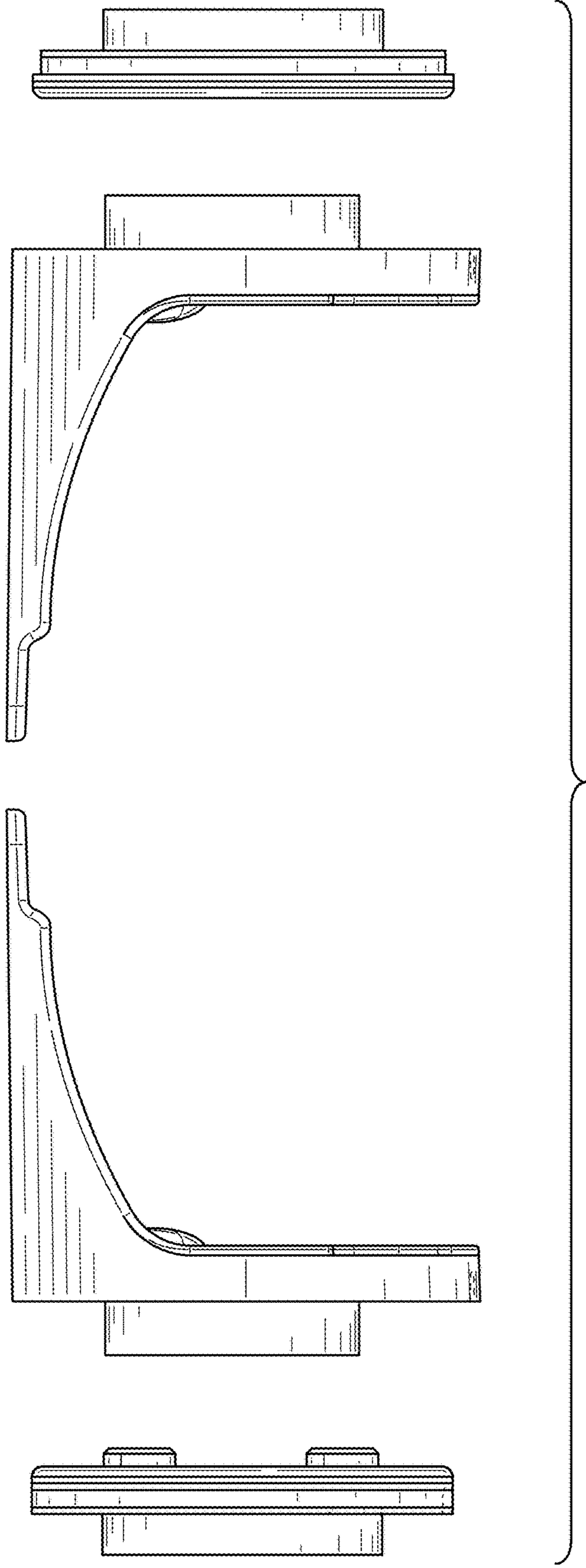


FIG. 4

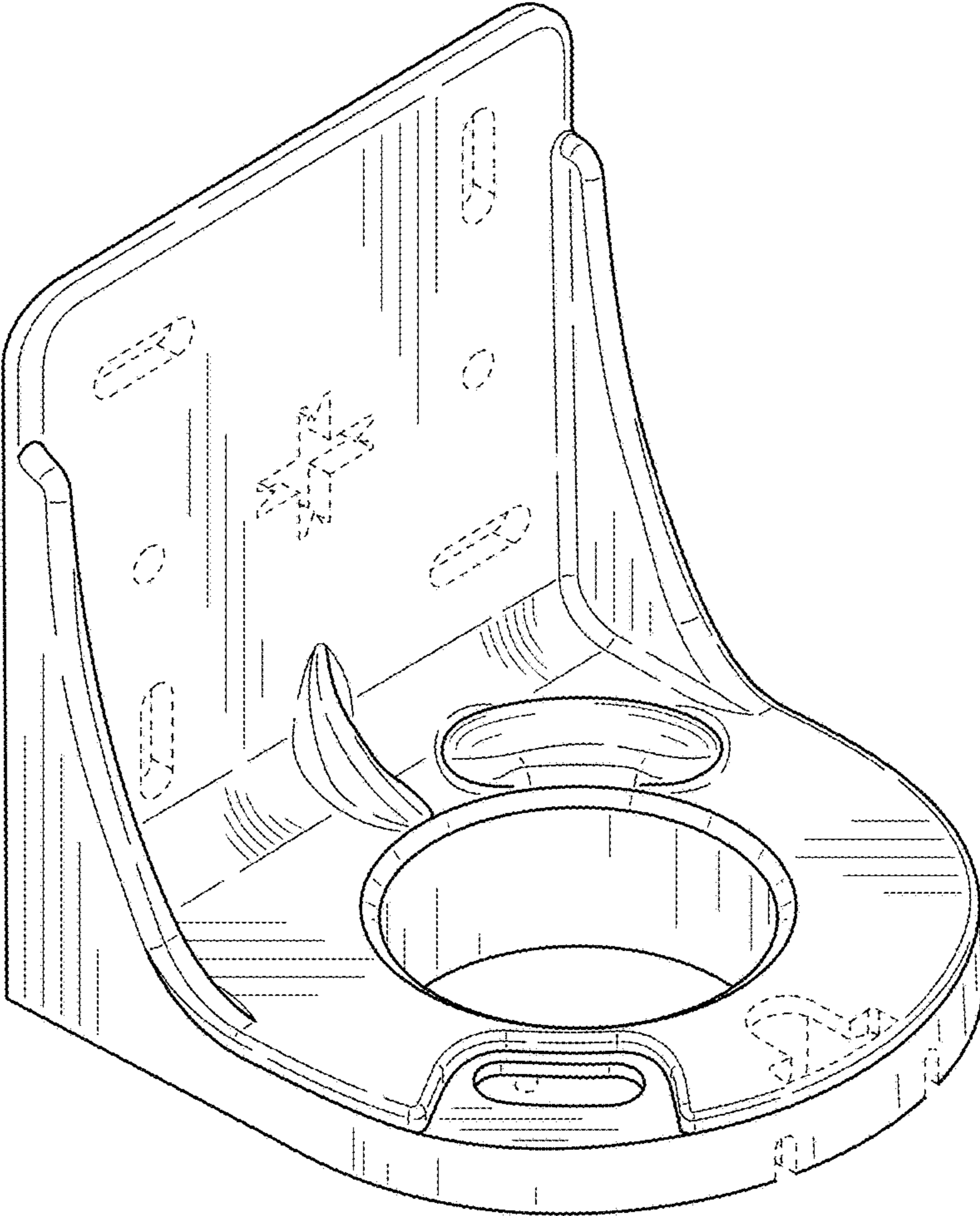


FIG. 5

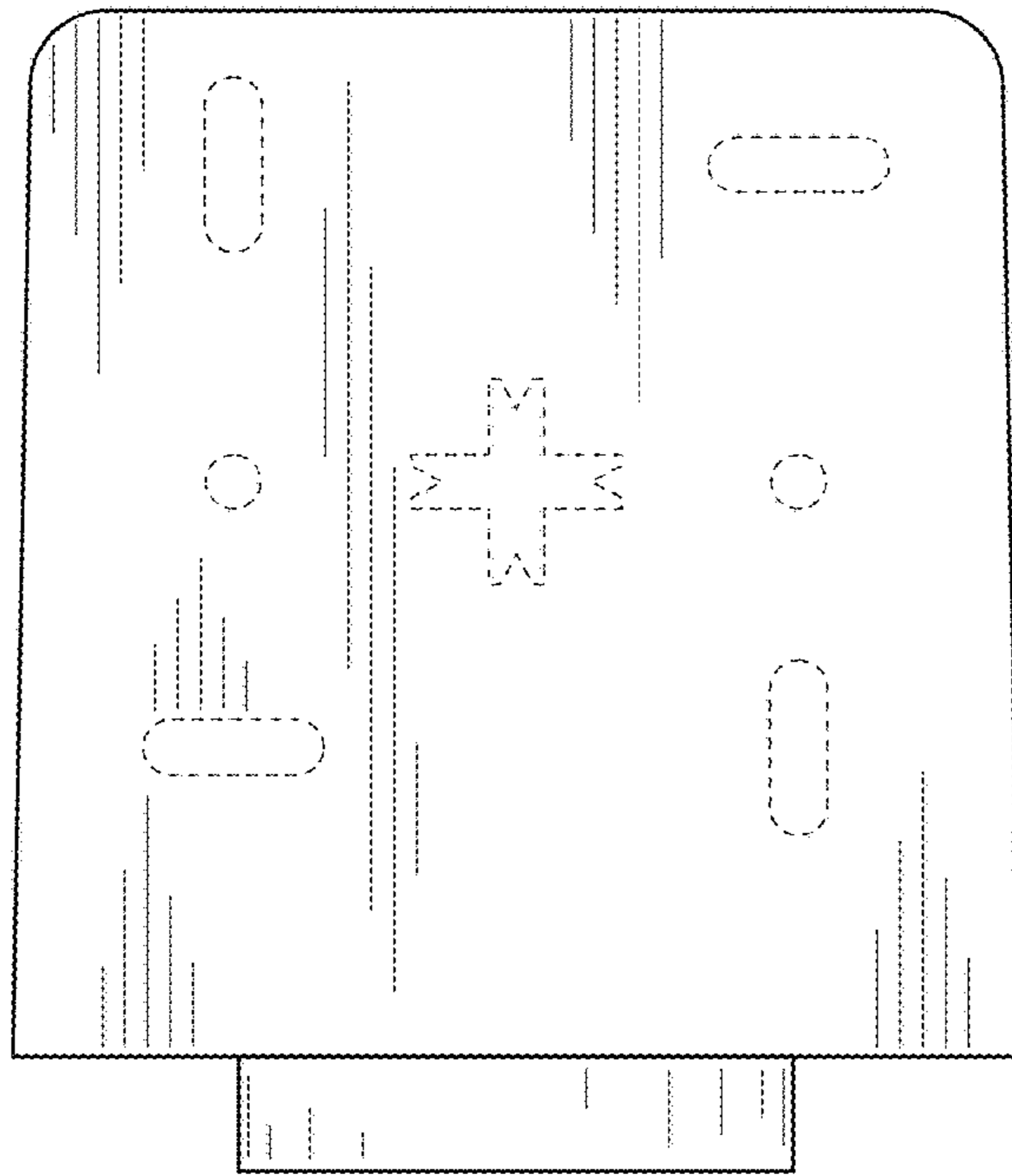


FIG. 6

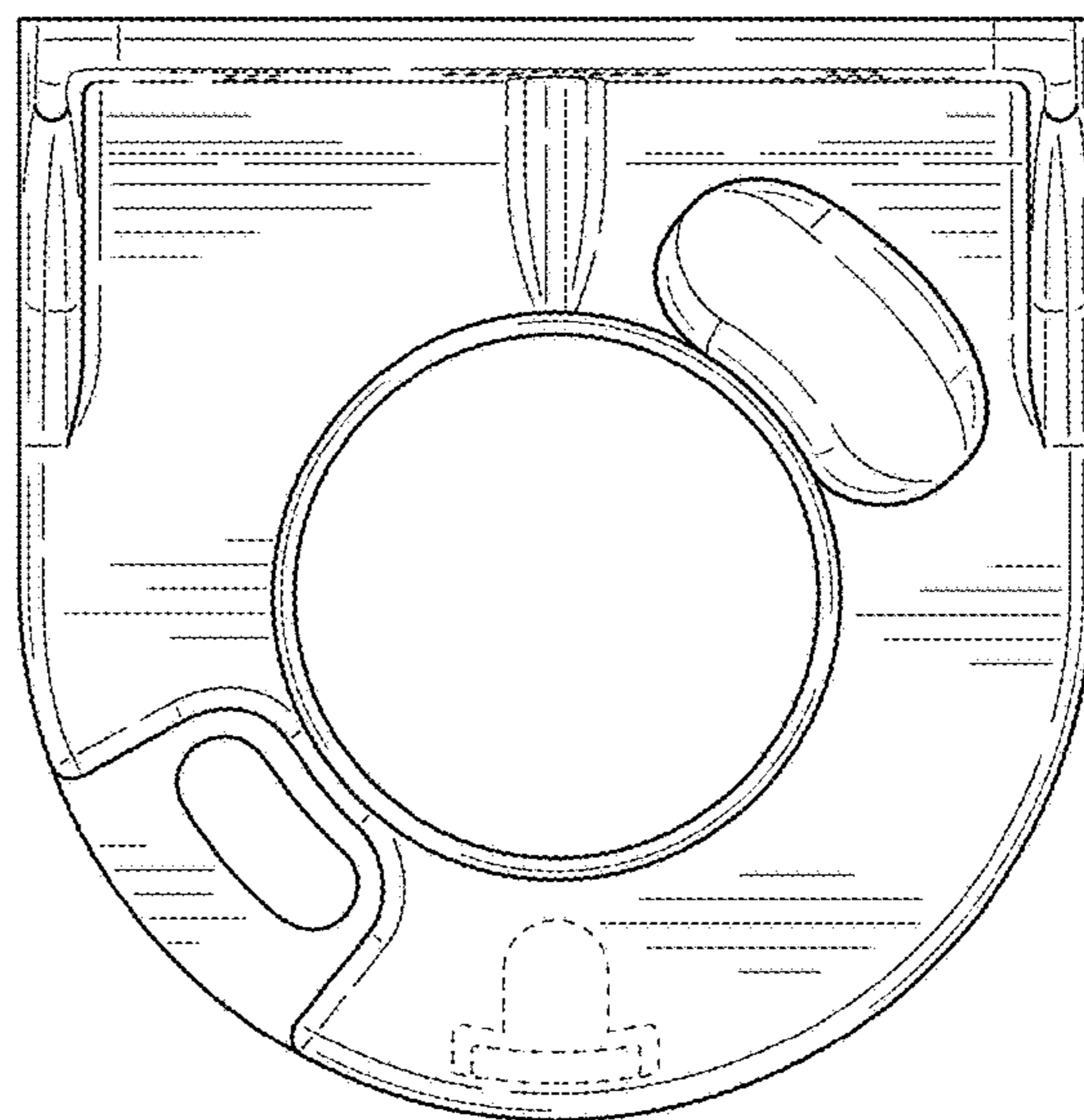


FIG. 7

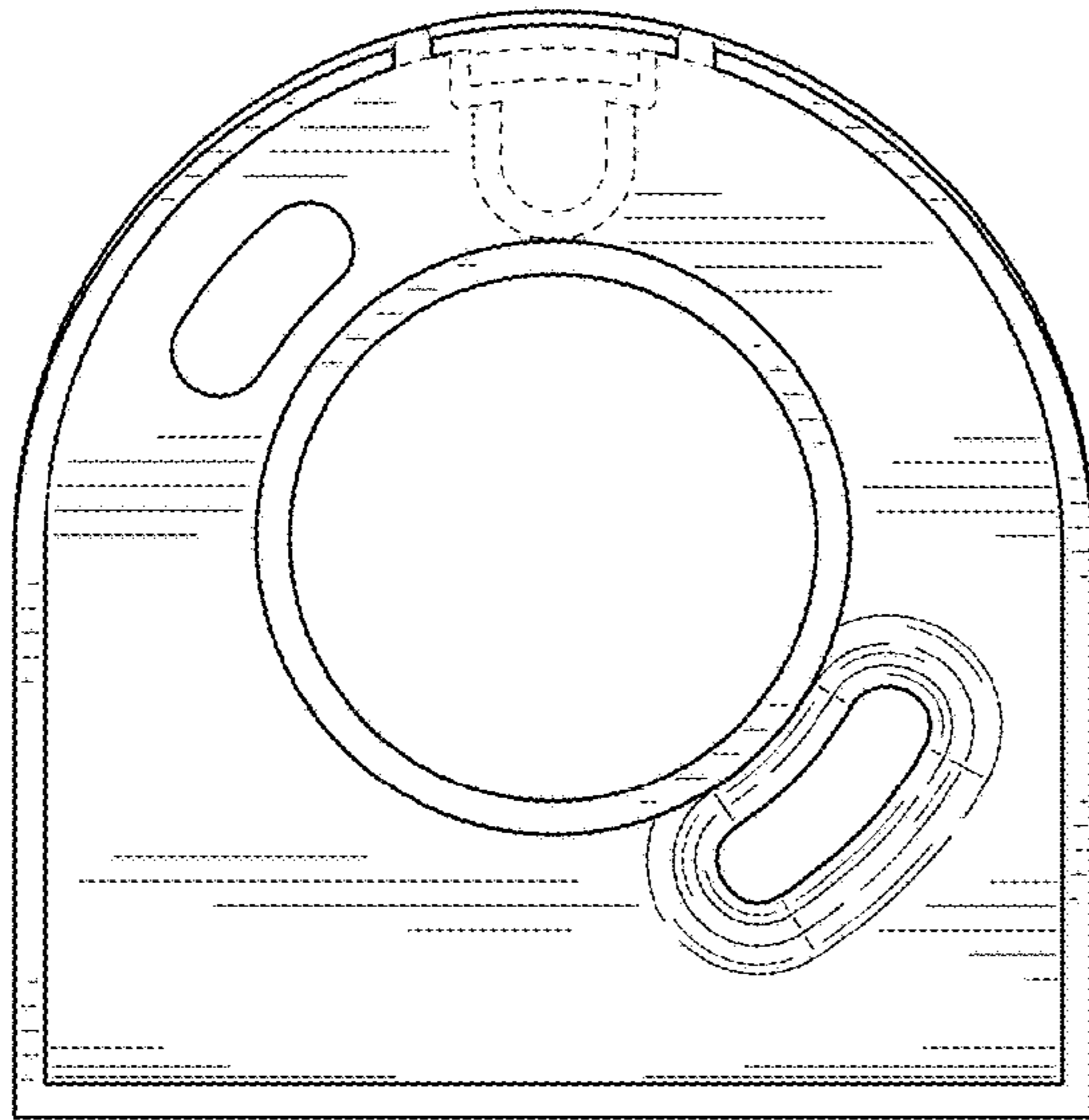


FIG. 8

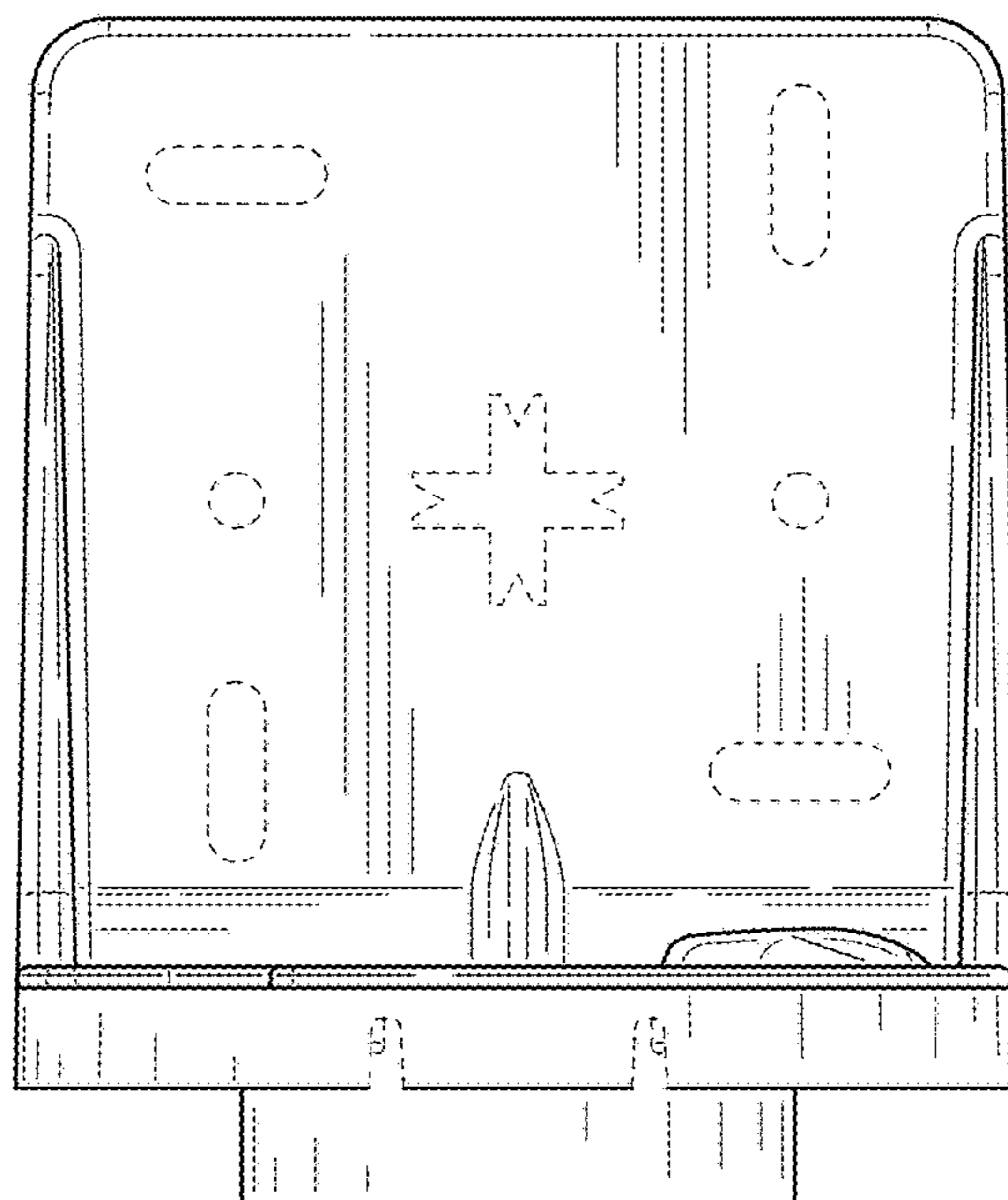


FIG. 9

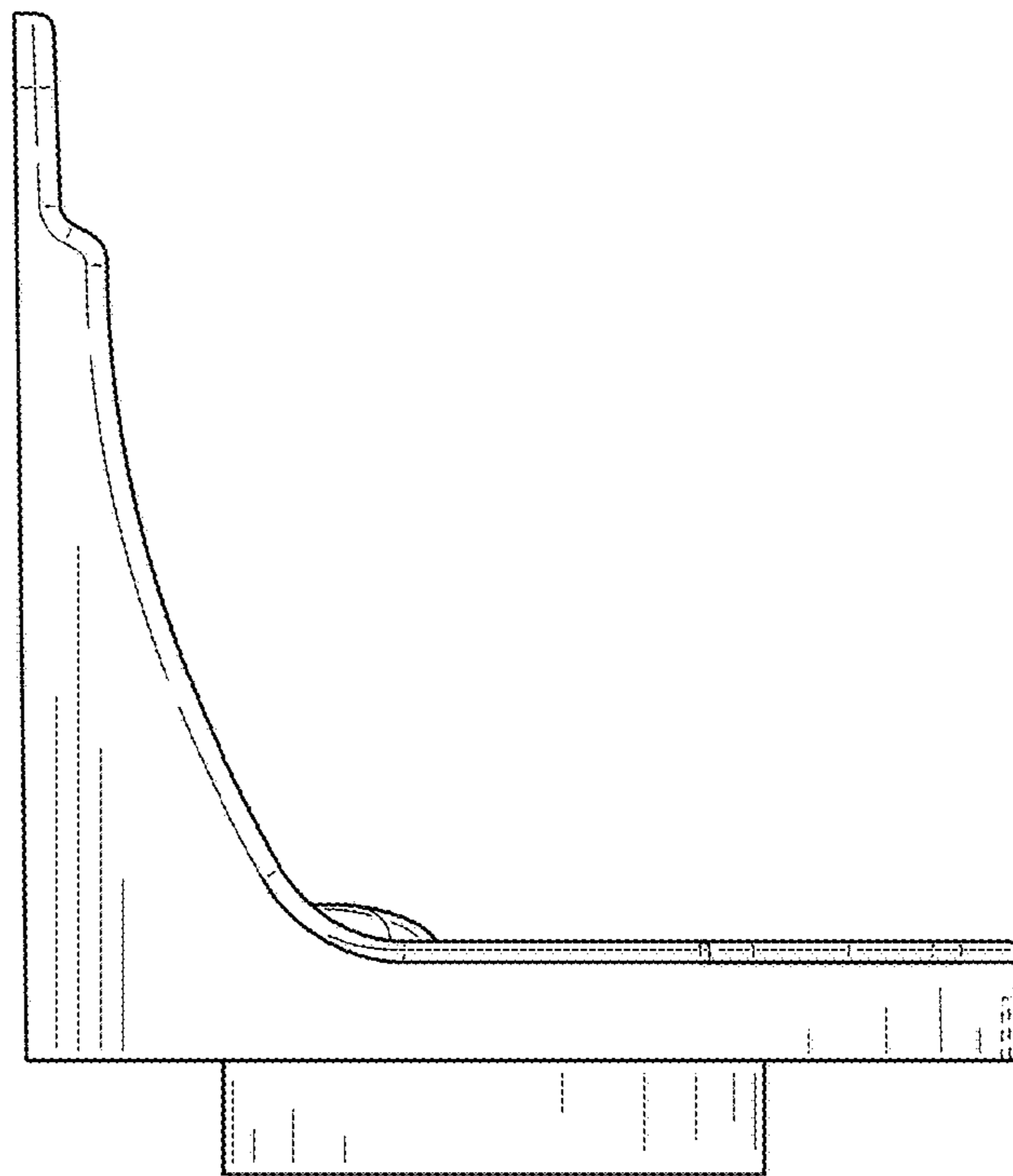


FIG. 10

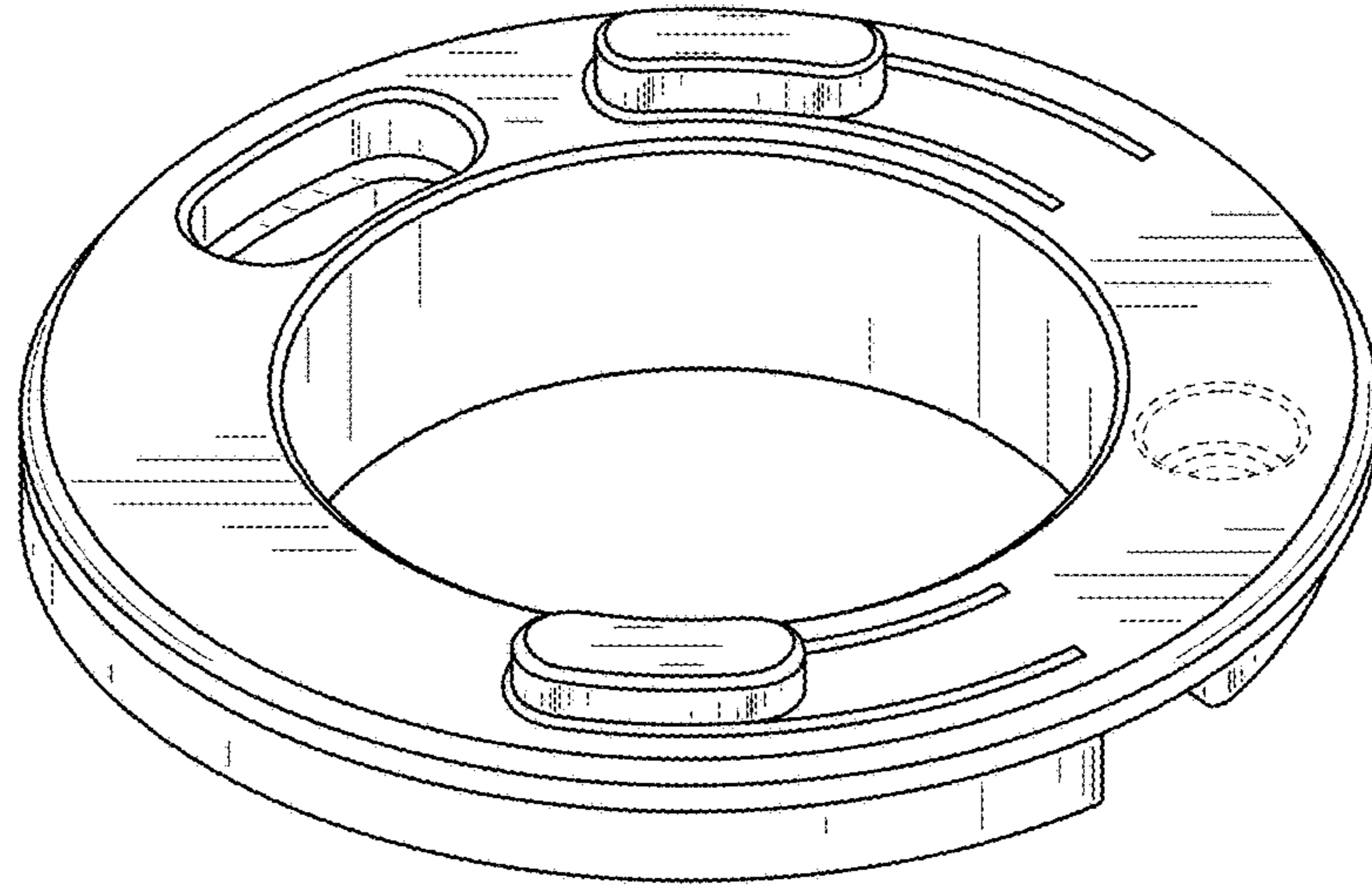


FIG. 11

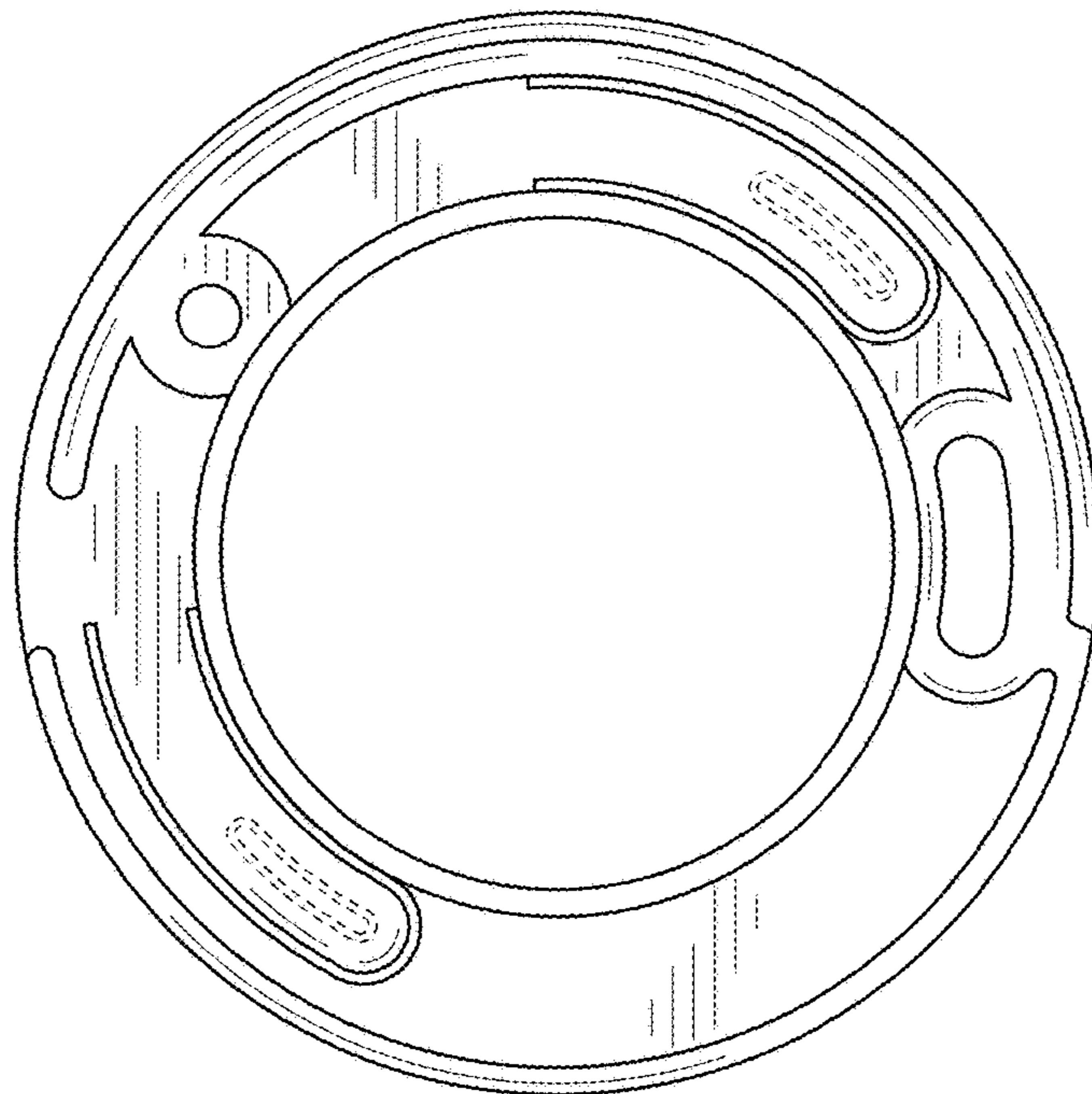


FIG. 12

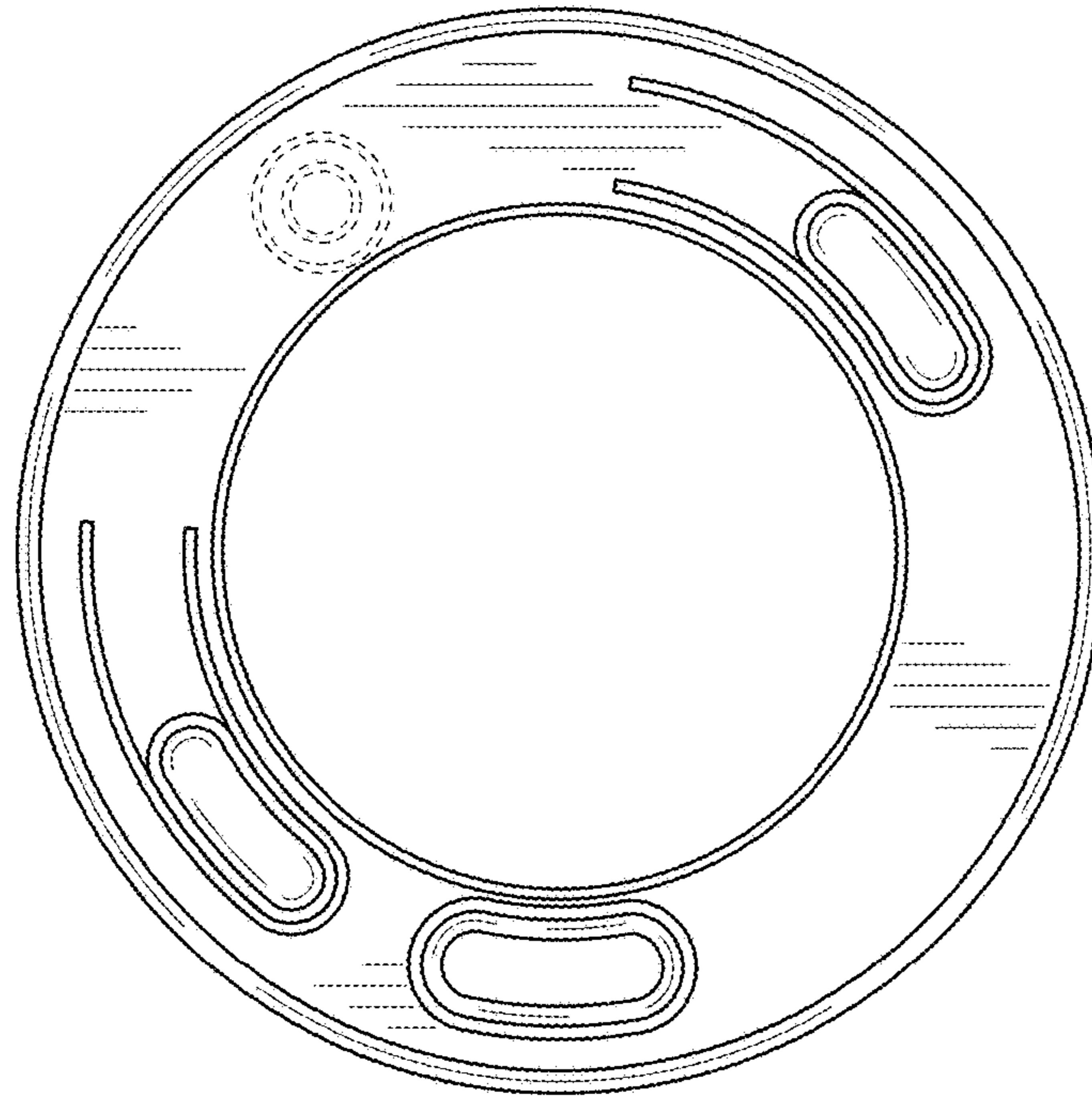


FIG. 13

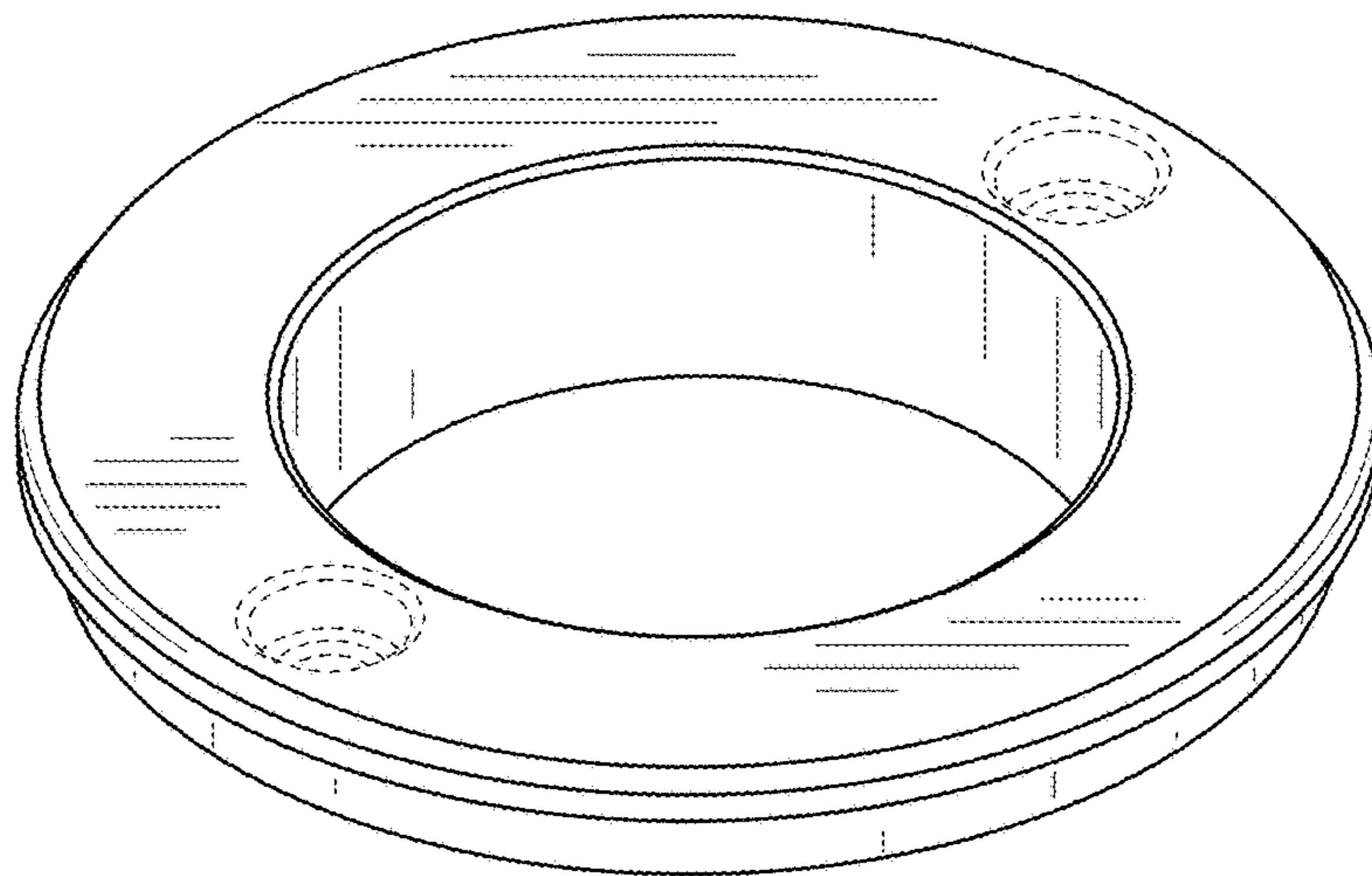


FIG. 14

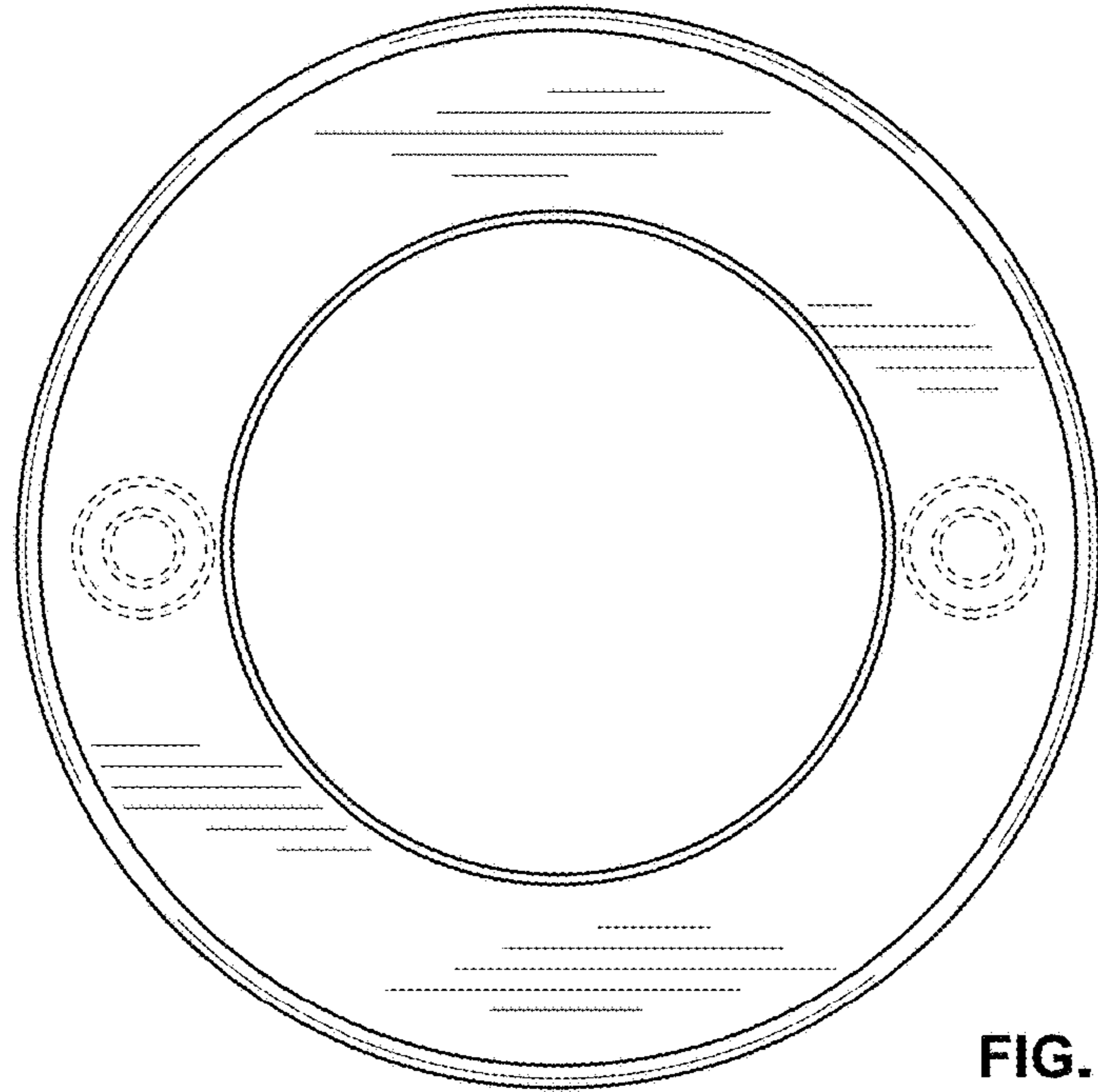


FIG. 15

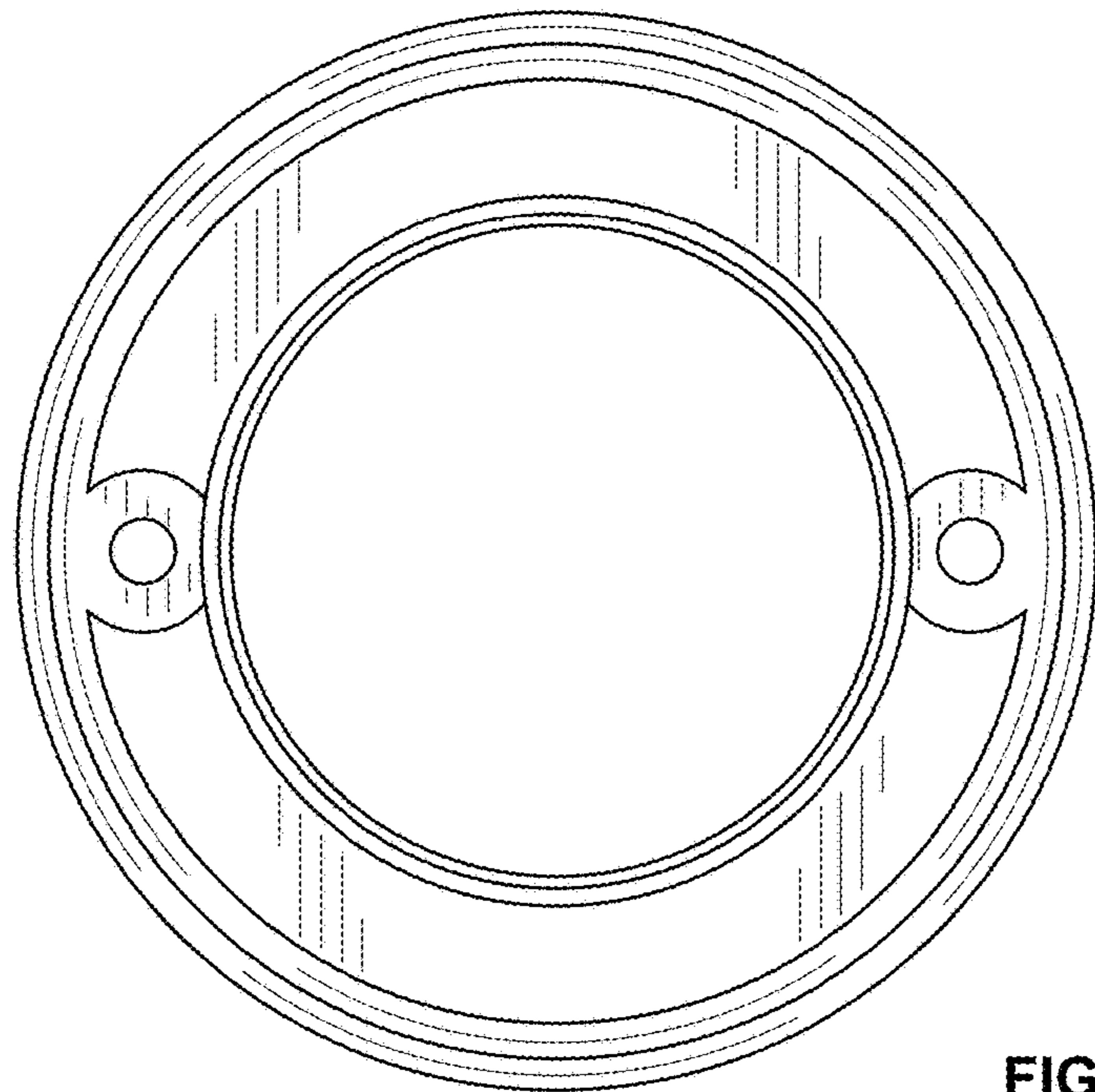


FIG. 16