



US00D832859S

(12) **United States Design Patent**  
**Charlesworth et al.**

(10) **Patent No.:** **US D832,859 S**

(45) **Date of Patent:** **\*\* Nov. 6, 2018**

(54) **DISPLAY MOUNT**

(71) Applicant: **Mobile Tech, Inc.**, Lake Oswego, OR (US)

(72) Inventors: **Eric Charlesworth**, Forest Grove, OR (US); **Hoa Pham**, Hillsboro, OR (US)

(73) Assignee: **MOBILE TECH, INC.**, Lake Oswego, OR (US)

(\*\*) Term: **15 Years**

(21) Appl. No.: **29/612,396**

(22) Filed: **Jul. 31, 2017**

(51) **LOC (11) Cl.** ..... **14-02**

(52) **U.S. Cl.**  
USPC ..... **D14/451**; D14/447; D14/434

(58) **Field of Classification Search**  
USPC ..... D14/434, 440, 447, 251-253, 432, 451, D14/452, 454, 140, 142, 149, 217, 238, D14/139, 240, 299, 496, 356, 358, 377, D14/140.6; D18/4.4, 4.5, 4.6, 12, 12.3; D6/329, 635; D15/199; D8/310  
CPC ..... G06F 1/16; G06F 1/1603; G06F 1/1607; G06F 1/1632; G06F 1/1683; H04M 1/04; H04M 1/12; F16M 11/00; F16M 11/10; F16M 11/12; H01R 31/00

See application file for complete search history.

(56) **References Cited**

**U.S. PATENT DOCUMENTS**

D253,594 S	*	12/1979	Antenbring	.....	248/922
D366,254 S	*	1/1996	Lynch	.....	D14/452
D386,782 S	*	11/1997	Sasaki	.....	D14/451
D456,351 S	*	4/2002	Yoneda	.....	D13/108
D474,833 S	*	5/2003	Marshall	.....	D23/254
D491,574 S	*	6/2004	Hung	.....	D14/452
D495,714 S	*	9/2004	Pfister	.....	D14/451
D520,041 S	*	5/2006	Wheat	.....	D13/184

D525,518 S	*	7/2006	Baldwin	.....	D8/310
D545,826 S	*	7/2007	Richter	.....	D14/251
D561,748 S	*	2/2008	Sculler	.....	D14/239
D563,398 S	*	3/2008	Wohlford	.....	D14/239
D563,774 S	*	3/2008	Wohlford	.....	D14/452
D567,810 S	*	4/2008	Yeh	.....	D14/253
D570,836 S	*	6/2008	Chen	.....	D14/253
D591,756 S	*	5/2009	Wohlford	.....	D14/452
D592,205 S	*	5/2009	O'Brien	.....	D12/415
D596,188 S	*	7/2009	Lau	.....	D14/452
D601,567 S	*	10/2009	Lau	.....	D13/154
D607,844 S	*	1/2010	Feldstein	.....	D13/168
D614,613 S	*	4/2010	Kim	.....	D14/253
D615,120 S	*	5/2010	Ono	.....	D18/4.5
D629,405 S	*	12/2010	Crysell	.....	D14/447
D637,586 S	*	5/2011	Lee	.....	D14/239

(Continued)

*Primary Examiner* — Susan Bennett Hattan

*Assistant Examiner* — Marie D. Fast Horse

(74) *Attorney, Agent, or Firm* — Thompson Coburn LLP

(57) **CLAIM**

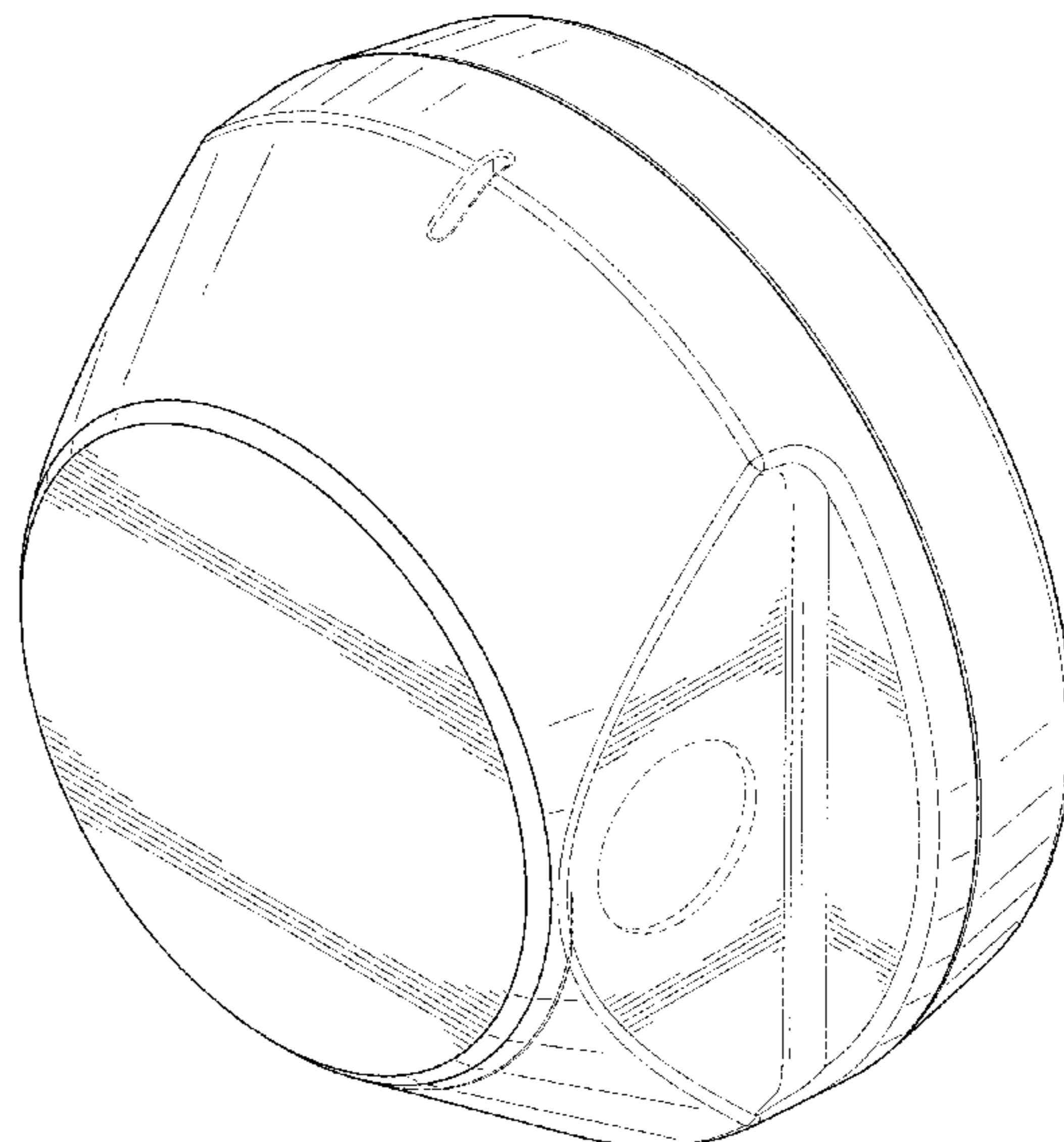
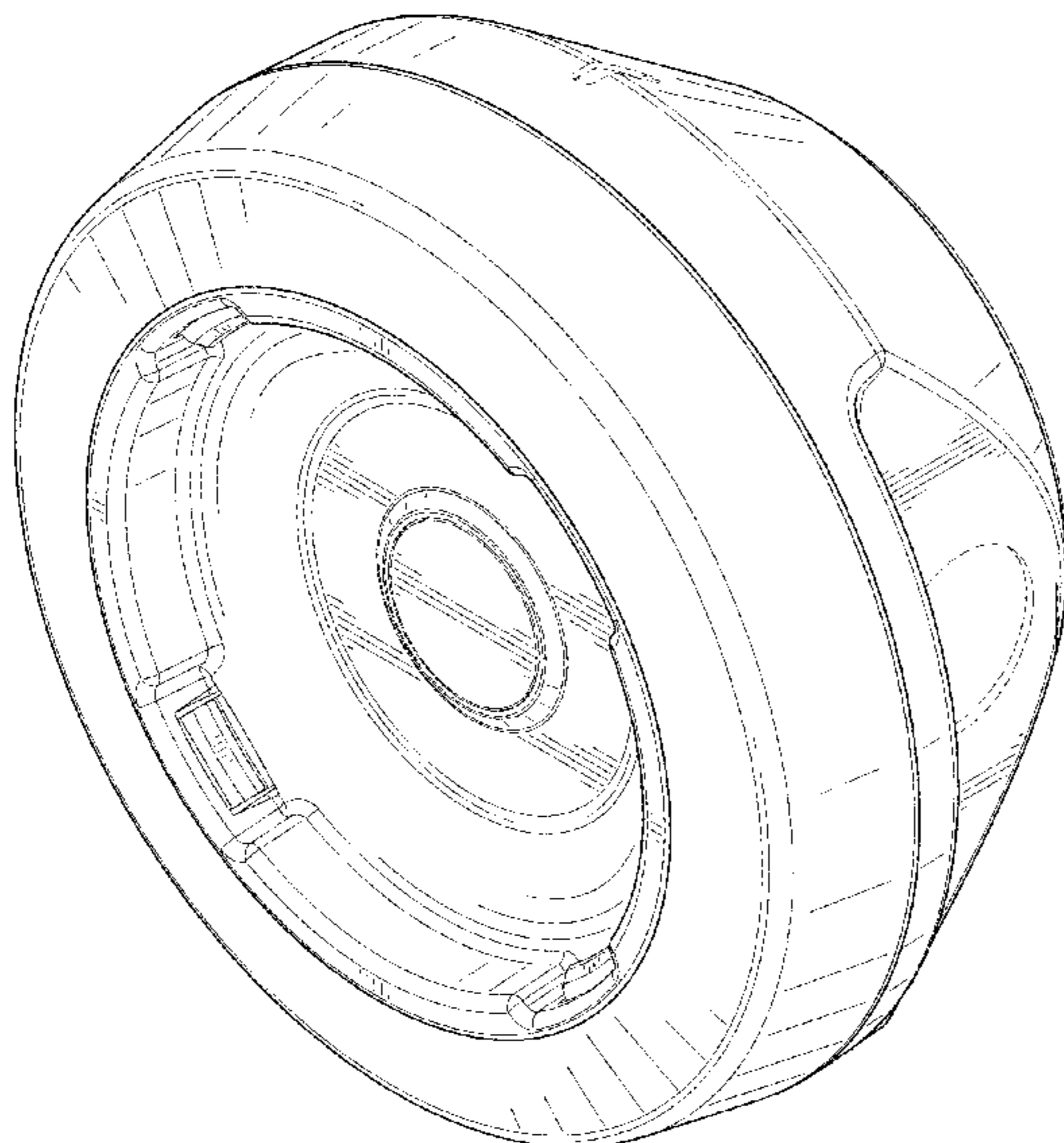
The ornamental design for a display mount, as shown and described.

**DESCRIPTION**

FIG. 1 is a front perspective view of a display mount showing our new design;  
FIG. 2 is a front elevational view of FIG. 1;  
FIG. 3 is a rear elevational view of FIG. 1;  
FIG. 4 is a right side elevational view of FIG. 1;  
FIG. 5 is a left side elevational view of FIG. 1;  
FIG. 6 is a top plan view of FIG. 1;  
FIG. 7 is a bottom plan view of FIG. 1; and,  
FIG. 8 is a rear perspective view of FIG. 1.

The broken lines immediately adjacent the shaded areas represent the bounds of the claimed design while all other broken lines are directed to environment and are for illustrative purposes only; the broken lines form no part of the claimed design.

**1 Claim, 7 Drawing Sheets**



(56)

References Cited

U.S. PATENT DOCUMENTS

D640,707 S \* 6/2011 Yeh ..... D14/447  
 D651,606 S \* 1/2012 Luijben ..... D14/250  
 D652,045 S \* 1/2012 Hong ..... D14/447  
 D657,795 S \* 4/2012 Smith ..... D14/447  
 D660,305 S \* 5/2012 Ho ..... D14/447  
 D682,281 S \* 5/2013 Barnard ..... D14/447  
 D690,306 S \* 9/2013 Malisse ..... D14/447  
 D692,900 S \* 11/2013 Kovacs ..... H01R 13/73  
 D14/447  
 D694,228 S \* 11/2013 Richter ..... D14/253  
 D705,234 S \* 5/2014 Guran ..... D14/447  
 D707,578 S \* 6/2014 Carr ..... D10/106.1  
 D709,066 S \* 7/2014 Byun ..... D14/253  
 D709,072 S \* 7/2014 Askew-Harris ..... D14/447  
 D719,959 S \* 12/2014 Vogel ..... D14/447  
 D719,961 S \* 12/2014 Xiang ..... D14/447  
 D720,000 S \* 12/2014 Lyons ..... D18/4.5  
 D726,524 S \* 4/2015 Borjesson ..... D8/311  
 D727,333 S \* 4/2015 Shih ..... D14/447  
 D732,037 S \* 6/2015 Wylie ..... D14/434  
 D733,156 S \* 6/2015 Choi ..... D14/447  
 D735,210 S \* 7/2015 Kim ..... D14/447  
 D739,857 S \* 9/2015 Lay ..... D10/80  
 D740,830 S \* 10/2015 Chu ..... D14/452

D748,098 S \* 1/2016 Khodapanah ..... D14/447  
 D750,515 S 3/2016 Ditges et al.  
 D751,565 S \* 3/2016 Gross ..... D14/451  
 D752,668 S \* 3/2016 Pedersen ..... D15/199  
 D753,128 S \* 4/2016 Anderson ..... D14/452  
 D755,797 S \* 5/2016 Liu ..... D14/452  
 D756,366 S \* 5/2016 Floersch ..... D14/447  
 D756,367 S 5/2016 Kim  
 D765,662 S \* 9/2016 Kang ..... D14/251  
 D771,056 S 11/2016 van Bergen  
 D772,739 S 11/2016 Browning et al.  
 D773,325 S \* 12/2016 Browning ..... D10/74  
 D791,861 S 7/2017 Battle  
 D792,414 S \* 7/2017 Floersch ..... D14/447  
 D792,494 S \* 7/2017 Matsuda ..... D15/199  
 9,760,116 B2 \* 9/2017 Wylie ..... G06F 1/1632  
 D798,848 S \* 10/2017 Frank ..... D14/239  
 D803,840 S 11/2017 Burmester  
 D807,893 S \* 1/2018 Nelson ..... D14/447  
 D808,396 S \* 1/2018 Nelson ..... D14/447  
 2014/0355200 A1 \* 12/2014 Thiers ..... H04W 88/02  
 361/679.41  
 2017/0064852 A1 \* 3/2017 Mercier ..... G06F 1/16  
 2017/0327054 A1 \* 11/2017 Yu ..... B60R 11/0241  
 2018/0017992 A1 \* 1/2018 Wylie ..... G06F 1/1654  
 2018/0032104 A1 \* 2/2018 Schatz ..... G06F 1/1683

\* cited by examiner

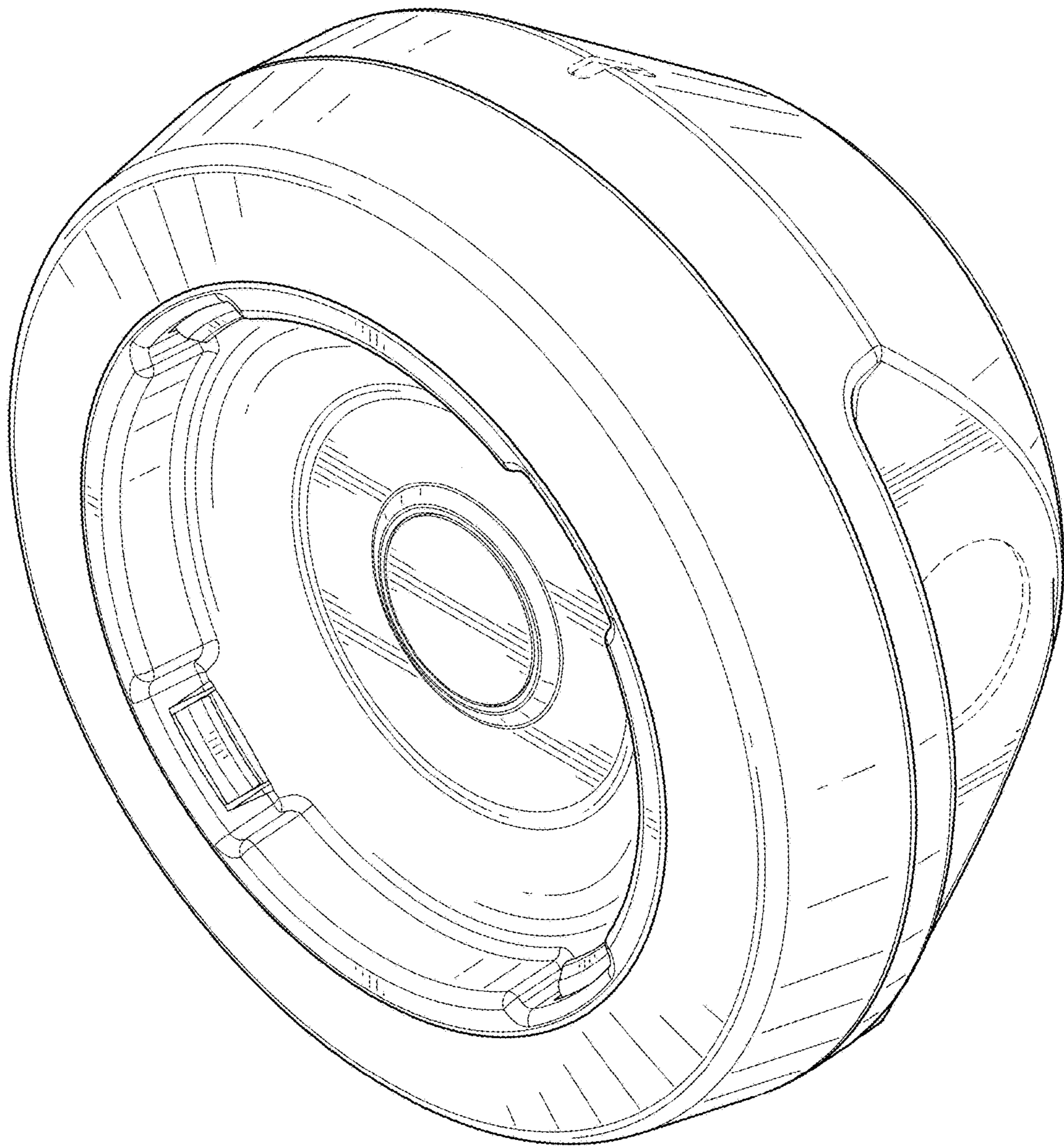


FIG. 1

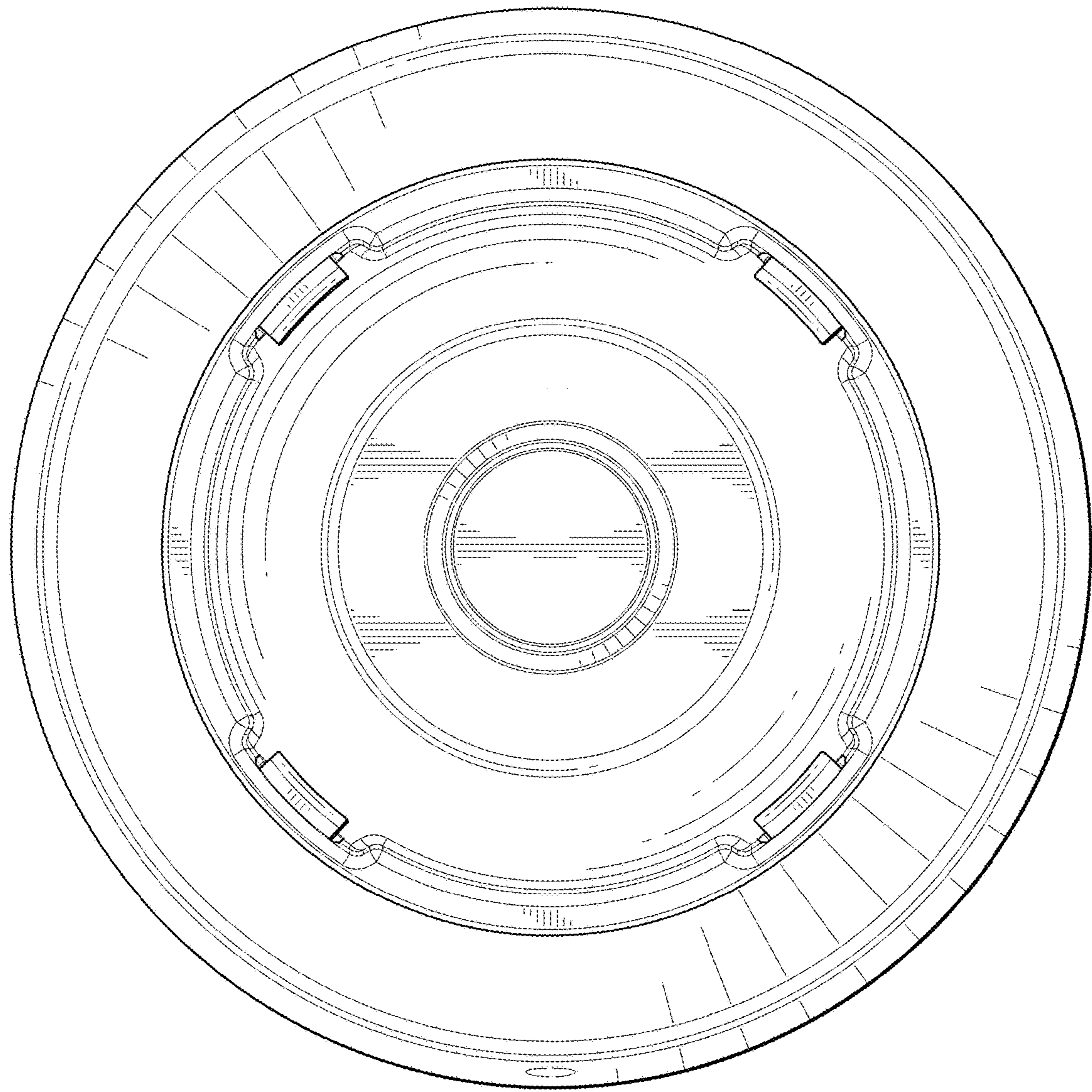


FIG. 2

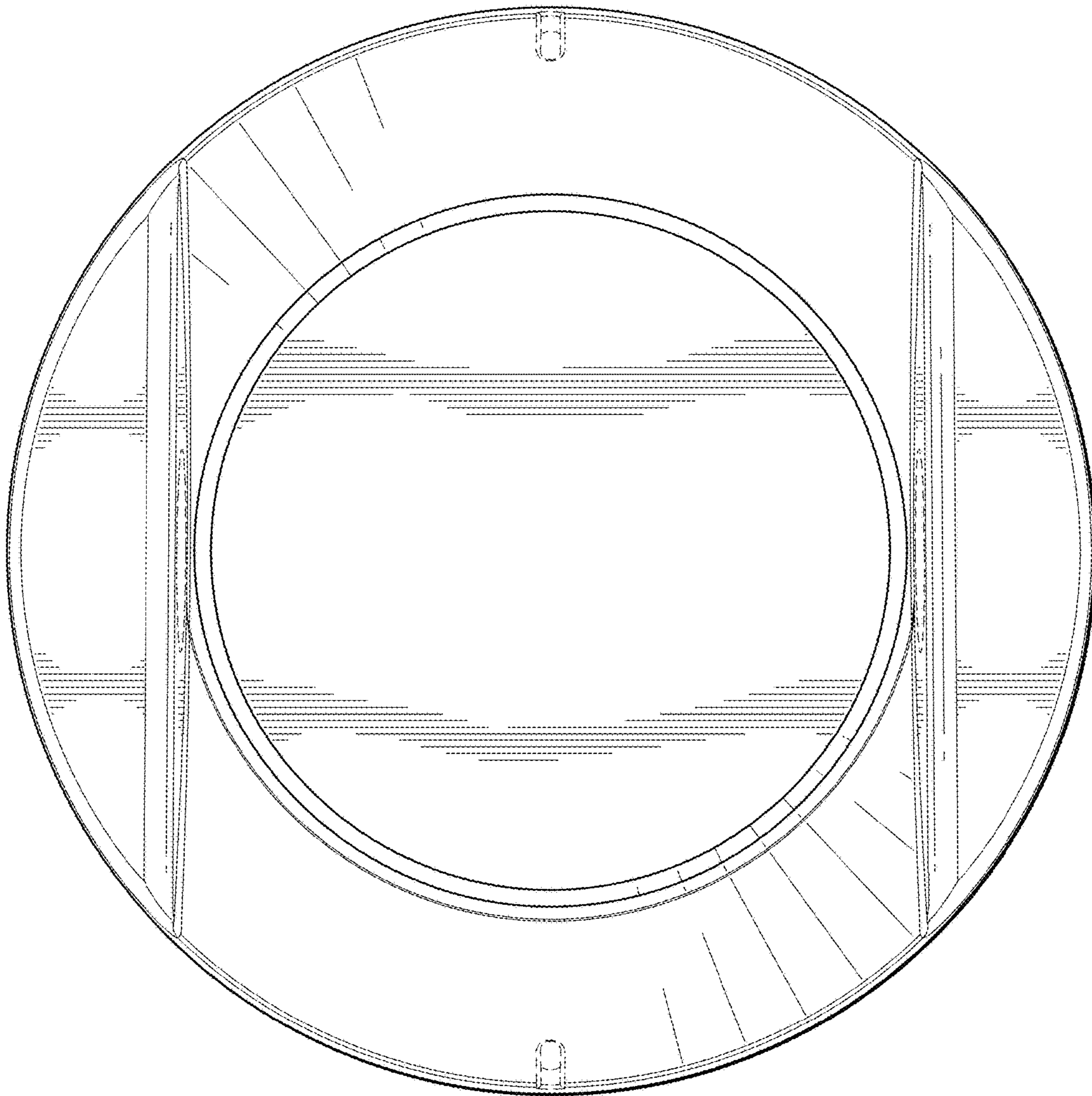


FIG. 3

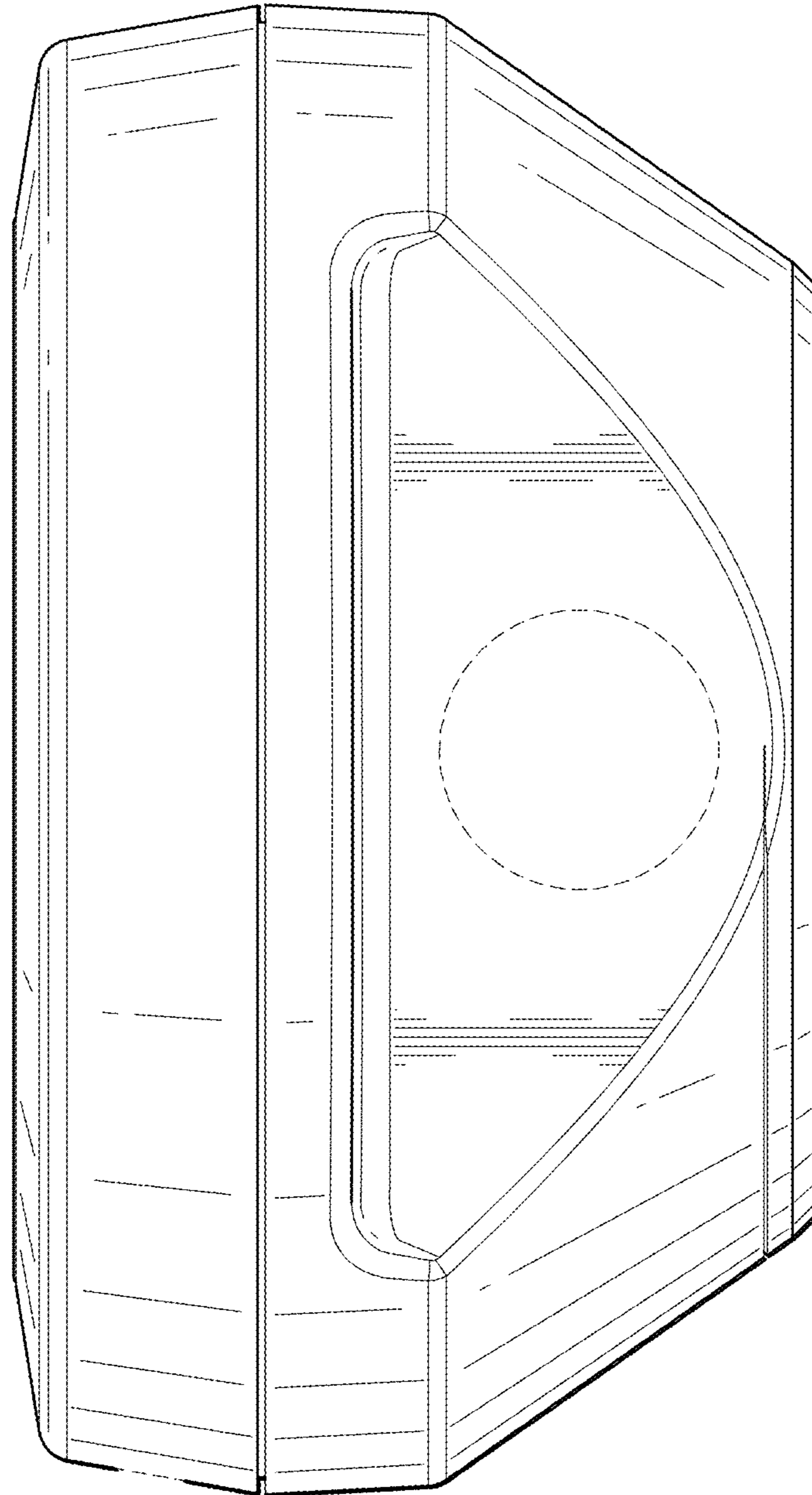


FIG. 4

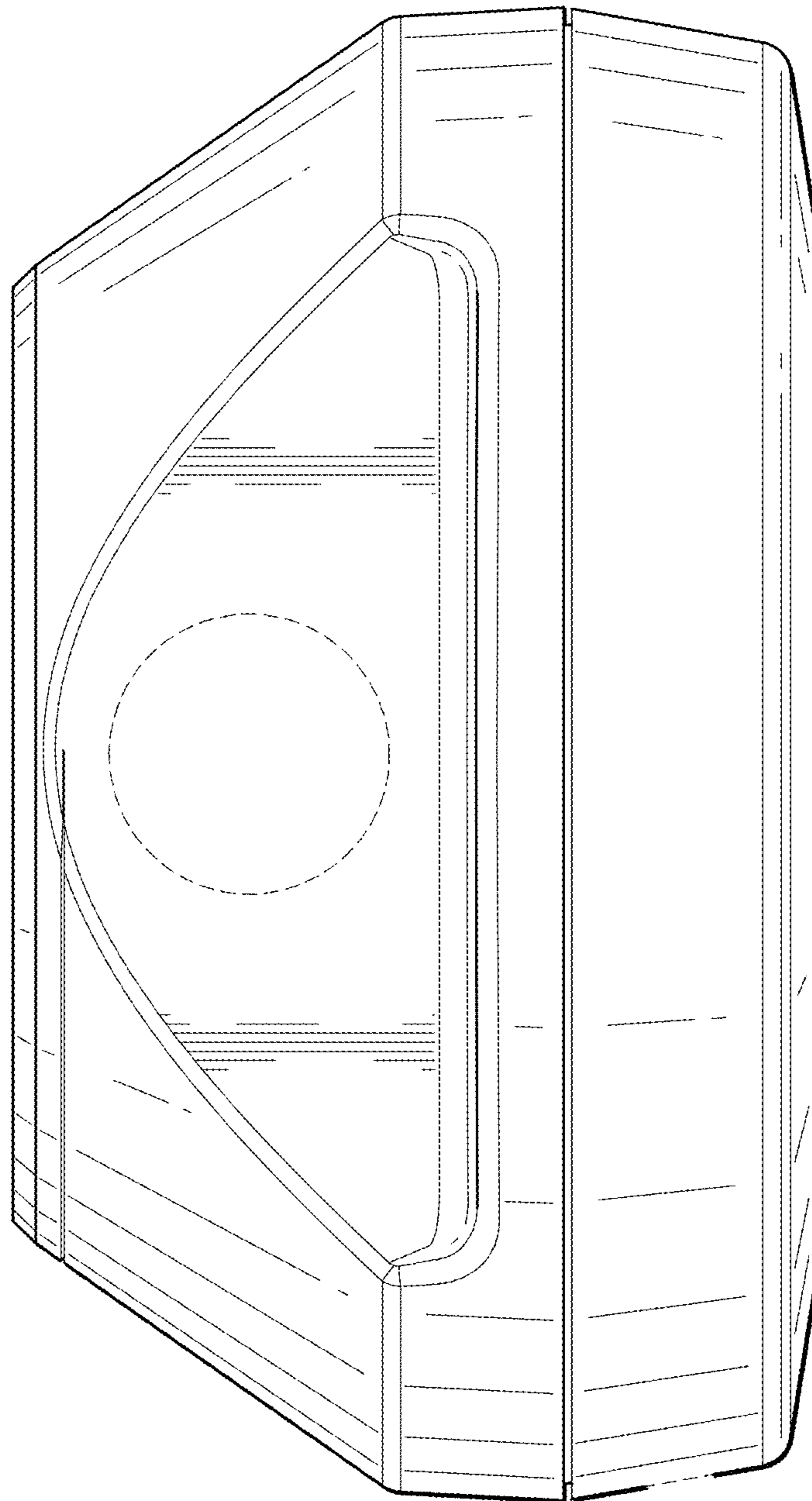


FIG. 5

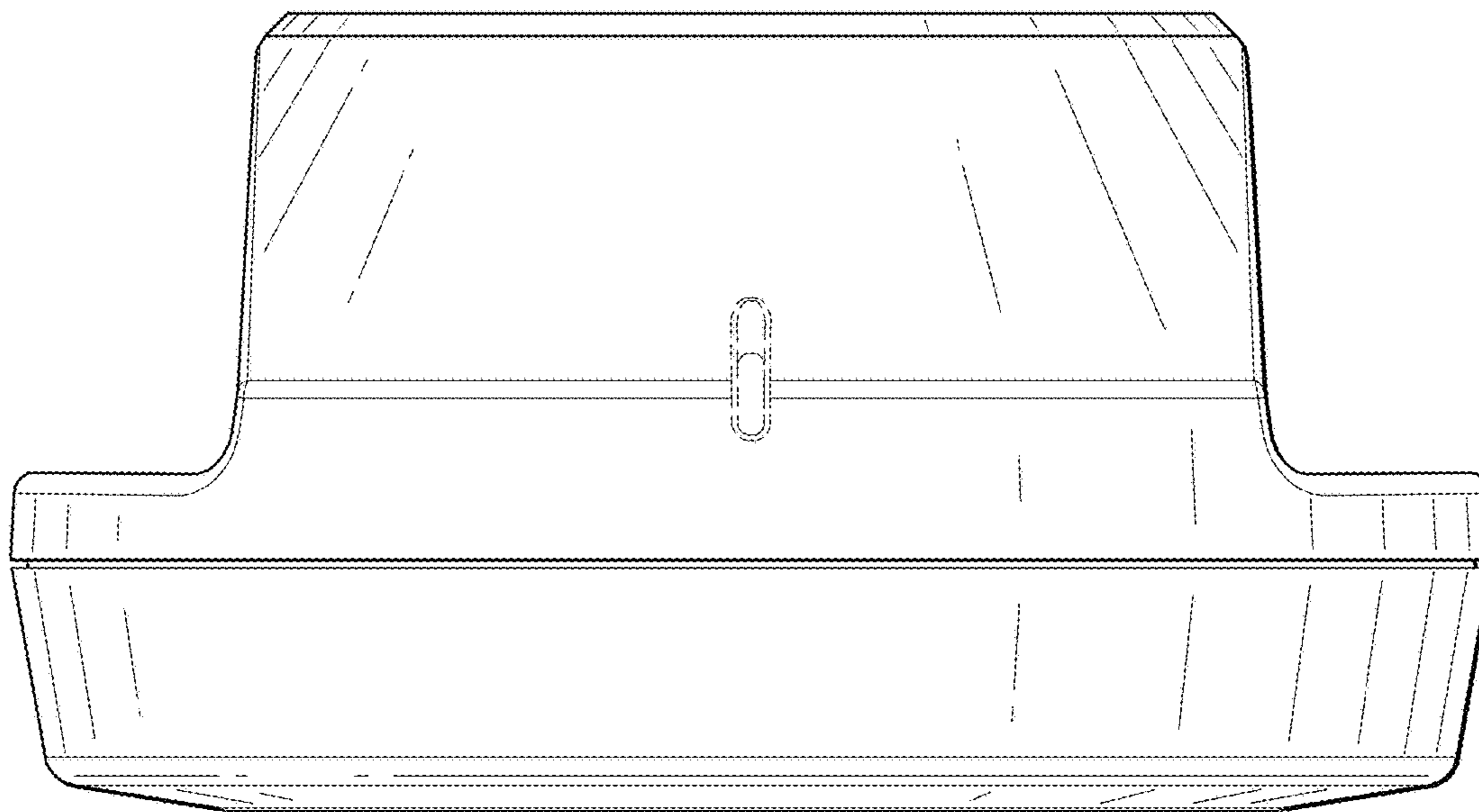


FIG. 6

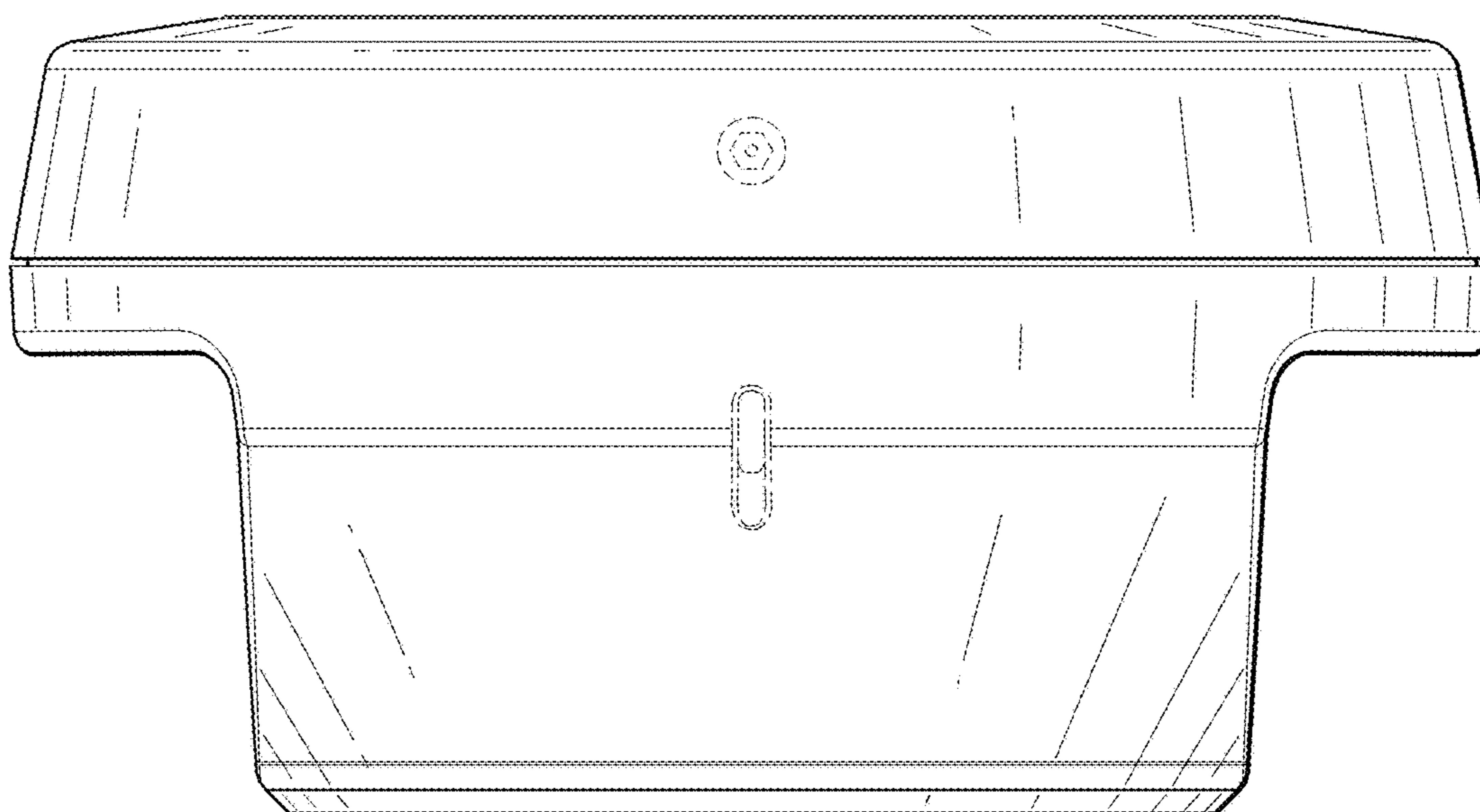


FIG. 7



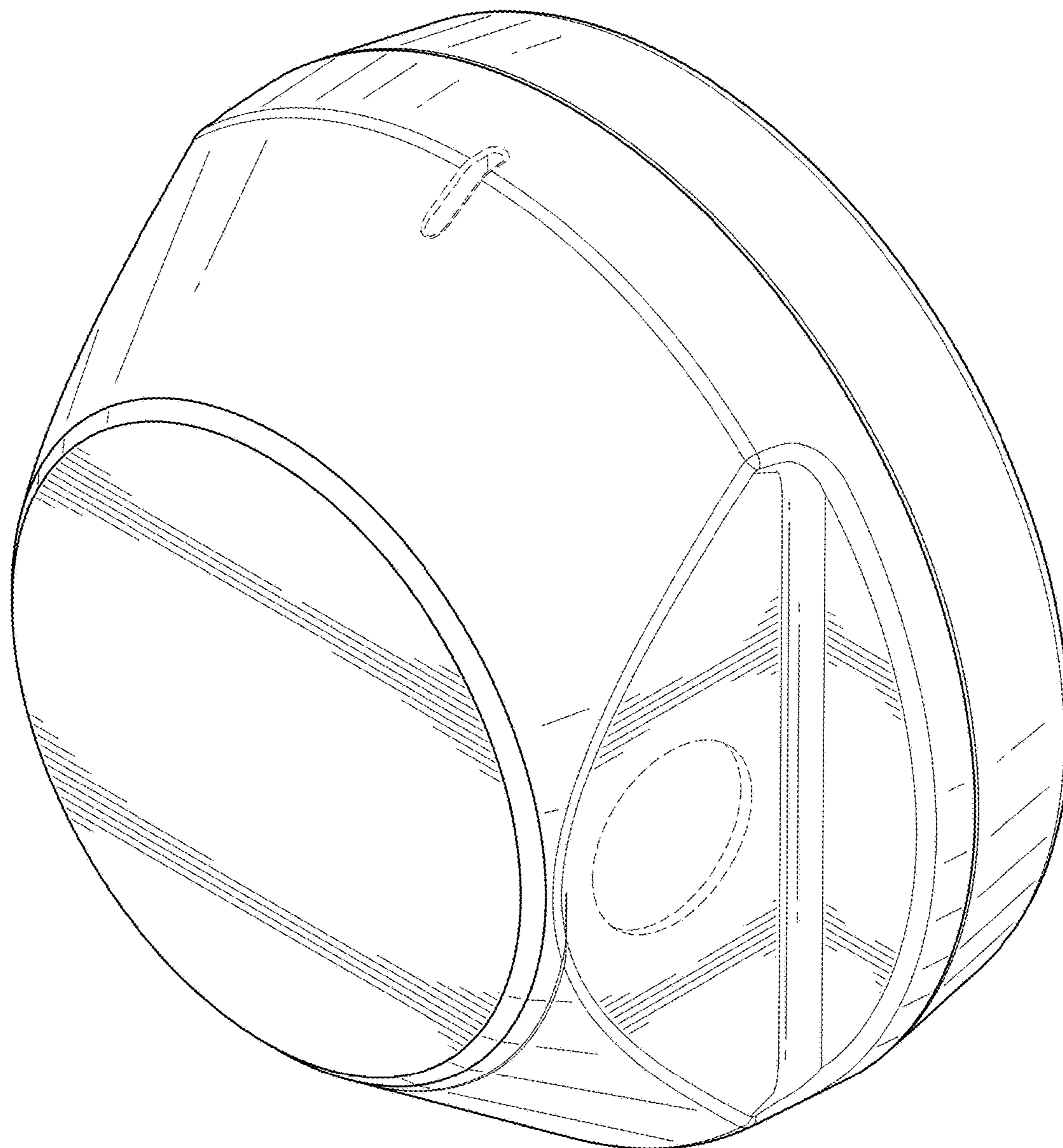


FIG. 8