



US00D832855S

(12) **United States Design Patent** (10) **Patent No.:** **US D832,855 S**  
**Jinkinson et al.** (45) **Date of Patent:** **\*\* Nov. 6, 2018**

(54) **PROTECTIVE COVER**  
(71) Applicant: **Logitech Europe S.A.**, Lausanne (CH)  
(72) Inventors: **Nicholas Jinkinson**, St-Sulpice (CH);  
**Meng-Yu Tsai**, New Taipei (TW)  
(73) Assignee: **Logitech Europe S.A.**, Lausanne (CH)  
(\*\*) Term: **15 Years**  
(21) Appl. No.: **29/624,400**  
(22) Filed: **Oct. 31, 2017**

**Related U.S. Application Data**

(63) Continuation-in-part of application No. 29/615,719,  
filed on Aug. 30, 2017.  
(51) **LOC (11) Cl.** ..... **14-02**  
(52) **U.S. Cl.**  
USPC ..... **D14/440**  
(58) **Field of Classification Search**  
USPC ..... D14/440; 206/45.23, 320, 45.2;  
361/679.55; 294/25; 224/218  
CPC ... G06F 1/1628; G06F 1/1626; A47B 23/044;  
H04B 1/3888; H05K 5/0217  
See application file for complete search history.

**References Cited**

**U.S. PATENT DOCUMENTS**

D696,256 S \* 12/2013 Piedra ..... D14/440  
D696,669 S \* 12/2013 Akana ..... D14/440  
D700,611 S \* 3/2014 Boldetti ..... D14/440  
D729,253 S \* 5/2015 Nyholm ..... D14/440  
D733,152 S \* 6/2015 Sirichai ..... D14/440  
9,095,194 B2 \* 8/2015 Hassett ..... A45C 11/00  
D744,489 S \* 12/2015 Sirichai ..... D14/440  
D764,472 S \* 8/2016 Corcoran ..... D14/440  
D772,880 S \* 11/2016 Corcoran ..... D14/440  
D789,342 S \* 6/2017 Sirichai ..... D14/250  
D792,887 S \* 7/2017 Zhang ..... D14/440

D807,363 S \* 1/2018 Hallier ..... D14/440  
D807,365 S \* 1/2018 Liu ..... D14/440  
D807,892 S \* 1/2018 Wang ..... D14/440  
D808,394 S \* 1/2018 Lakraa ..... D14/440  
D808,395 S \* 1/2018 Fenton ..... D14/440  
D811,411 S \* 2/2018 Moore ..... D14/440  
D822,675 S \* 7/2018 Zhu ..... D14/455  
2009/0194209 A1 \* 8/2009 De Filippis ..... A45C 11/00  
150/107  
2009/0201254 A1 \* 8/2009 Rais ..... G06F 1/1613  
345/168

(Continued)

*Primary Examiner* — Cynthia R Underwood

(74) *Attorney, Agent, or Firm* — Kilpatrick Townsend &  
Stockton LLP

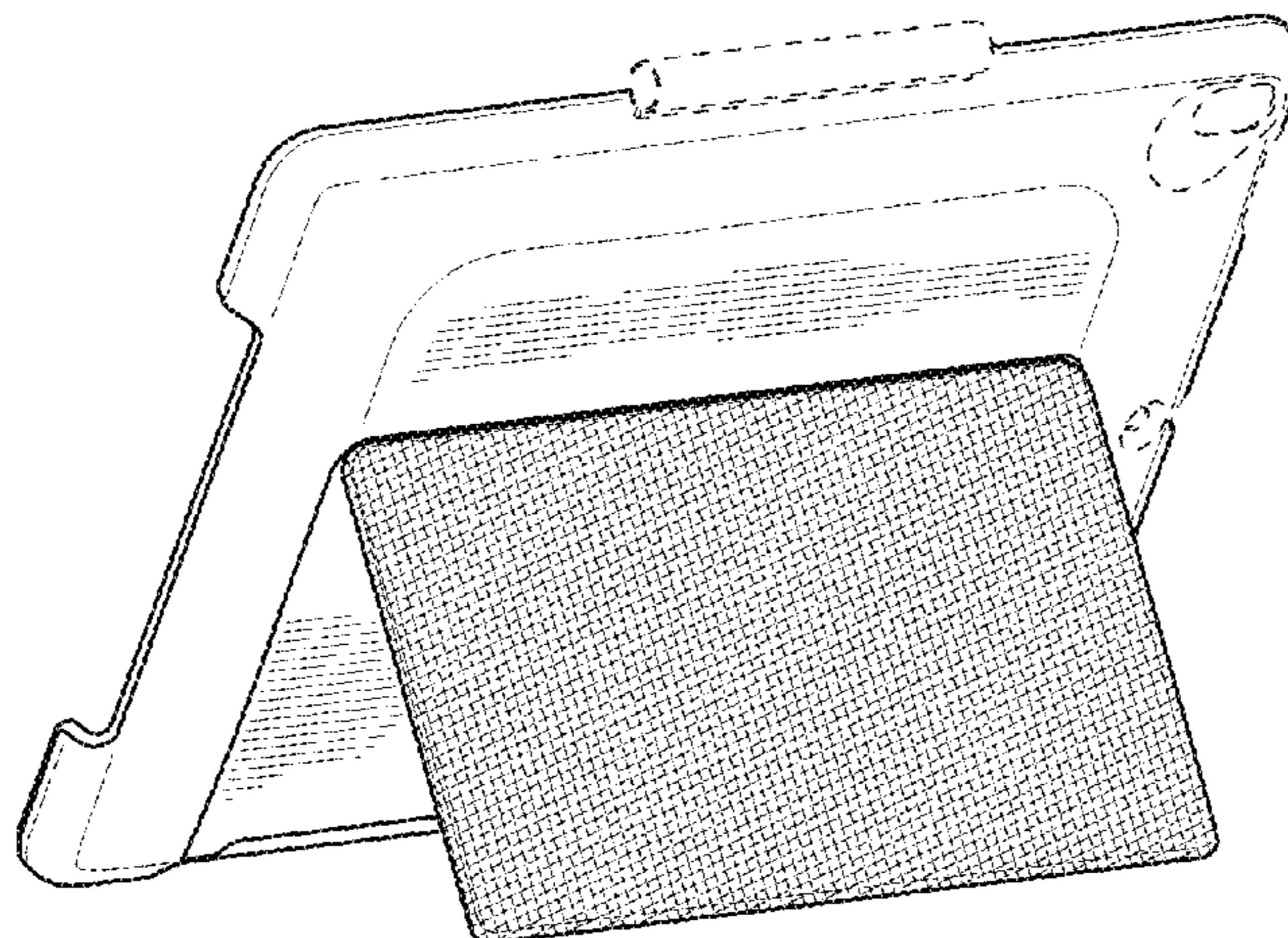
(57) **CLAIM**

The ornamental design for protective cover, as shown and  
described.

**DESCRIPTION**

FIG. 1 is a perspective view of a protective cover showing  
our new design;  
FIG. 2 is a second perspective view thereof;  
FIG. 3 is a third perspective view thereof;  
FIG. 4 is a top plan view thereof;  
FIG. 5 is a bottom plan view thereof;  
FIG. 6 is a front elevation view thereof;  
FIG. 7 is a rear elevation view thereof;  
FIG. 8 is a left side elevation view thereof; and  
FIG. 9 is a right side elevation view thereof.  
FIG. 10 is a perspective view of the protective cover  
showing our new design in an upright configuration;  
FIG. 11 is a bottom plan view thereof;  
FIG. 12 is a rear elevation view thereof;  
FIG. 13 is a left side elevation view thereof; and,  
FIG. 14 is a right side elevation view thereof.  
Broken lines shown in the drawings show unclaimed subject  
matter and form no part of the claimed design.

**1 Claim, 7 Drawing Sheets**



(56)

**References Cited**

U.S. PATENT DOCUMENTS

2010/0300909 A1\* 12/2010 Hung ..... H04M 1/04  
206/320  
2013/0264459 A1\* 10/2013 McCosh ..... G06F 1/1626  
248/688  
2015/0296060 A1\* 10/2015 Gu ..... H04M 1/0235  
455/575.4  
2015/0296068 A1\* 10/2015 Chin ..... G06F 1/1628  
455/575.8  
2016/0011628 A1\* 1/2016 Sato ..... G06F 1/1656  
361/679.3  
2016/0187937 A1\* 6/2016 Ahee ..... G06F 1/1681  
361/679.09

\* cited by examiner

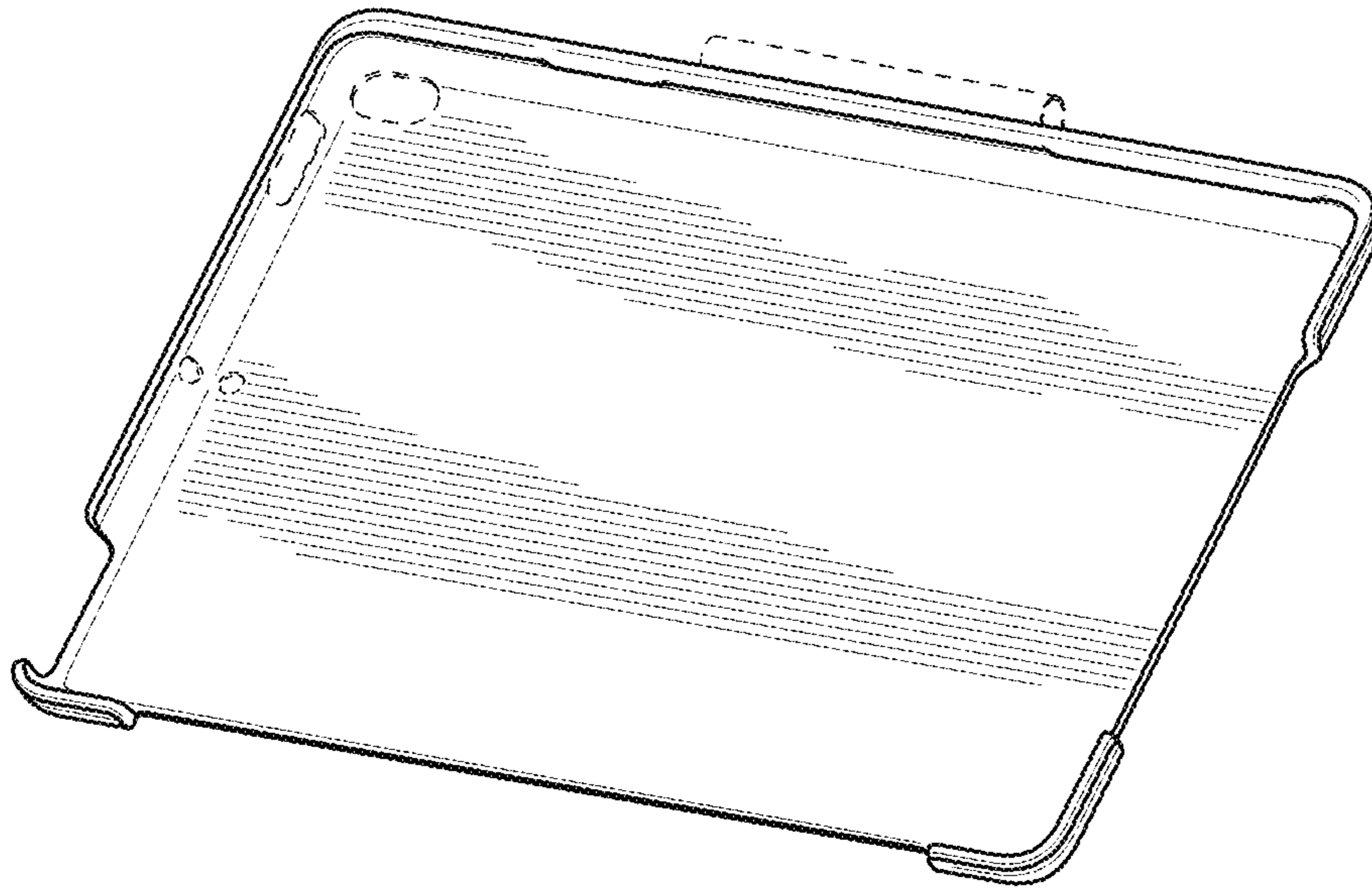


FIG. 1

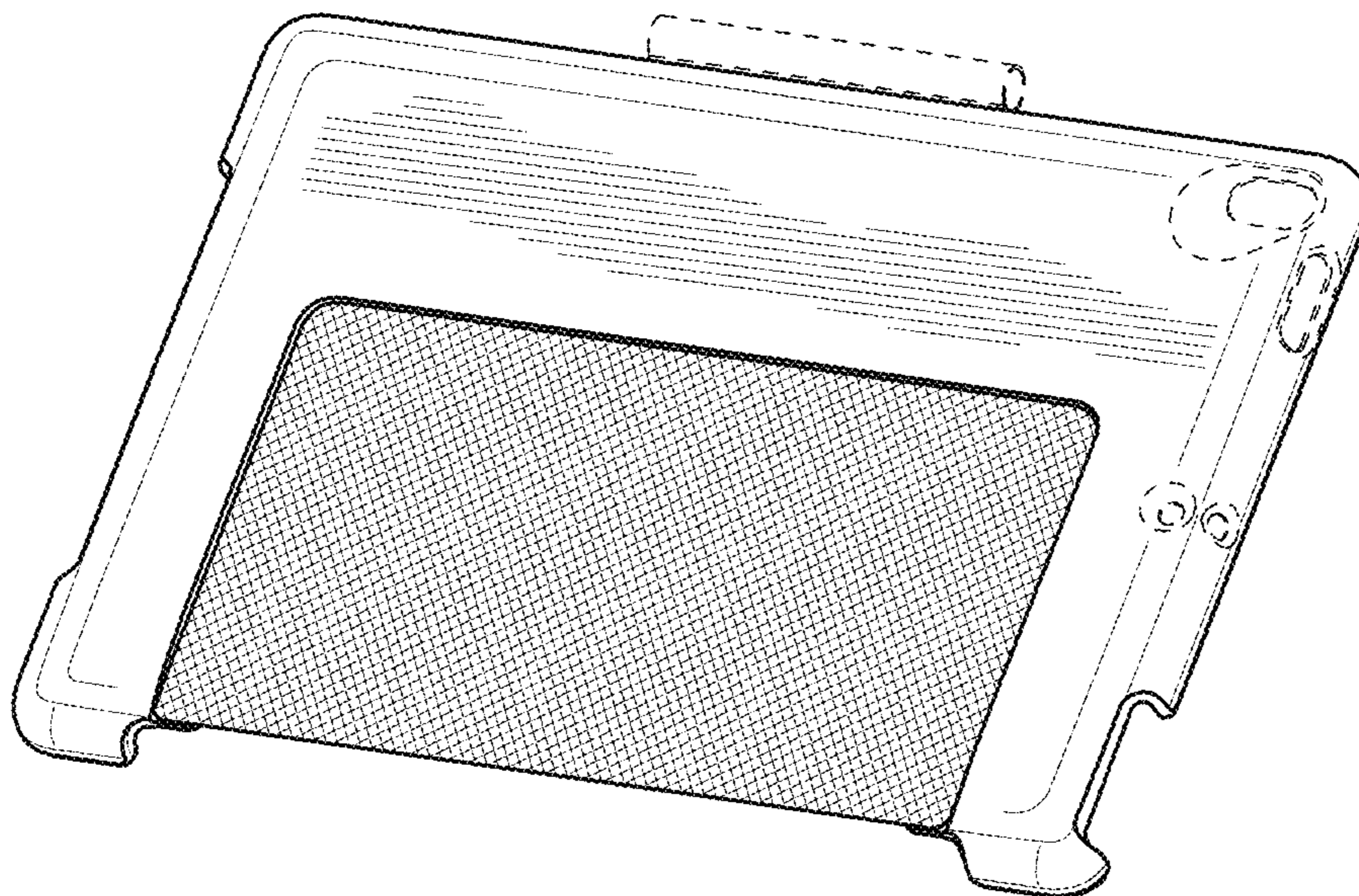


FIG. 2

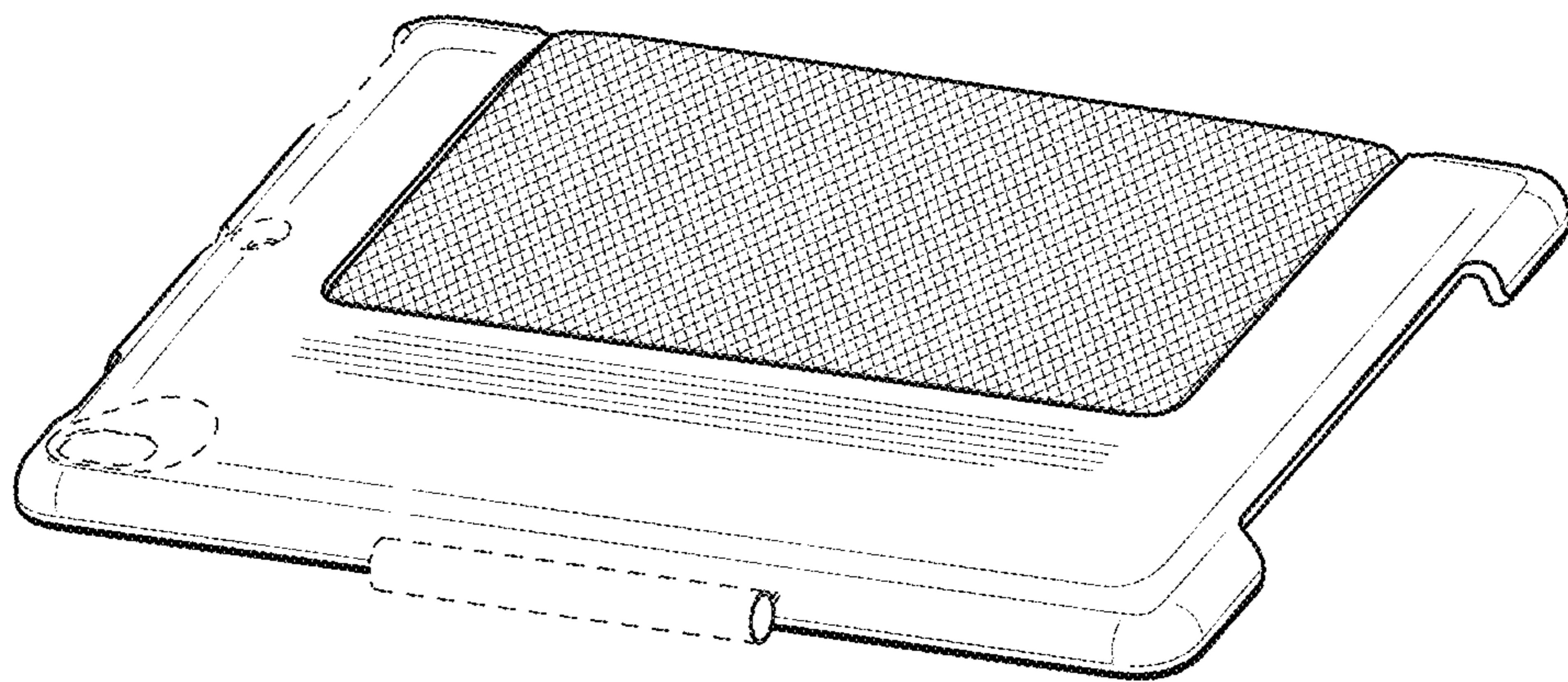


FIG. 3

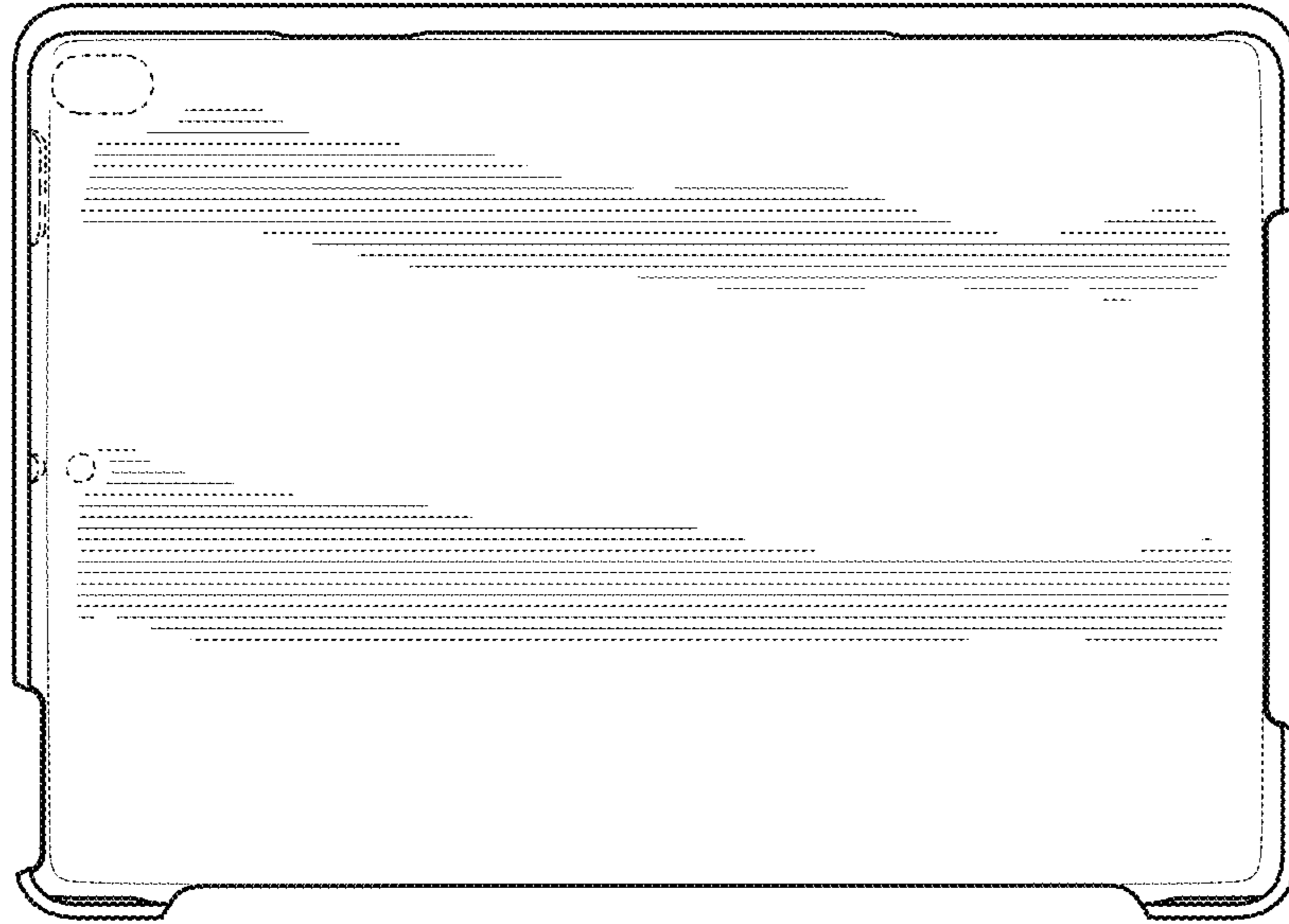


FIG. 4

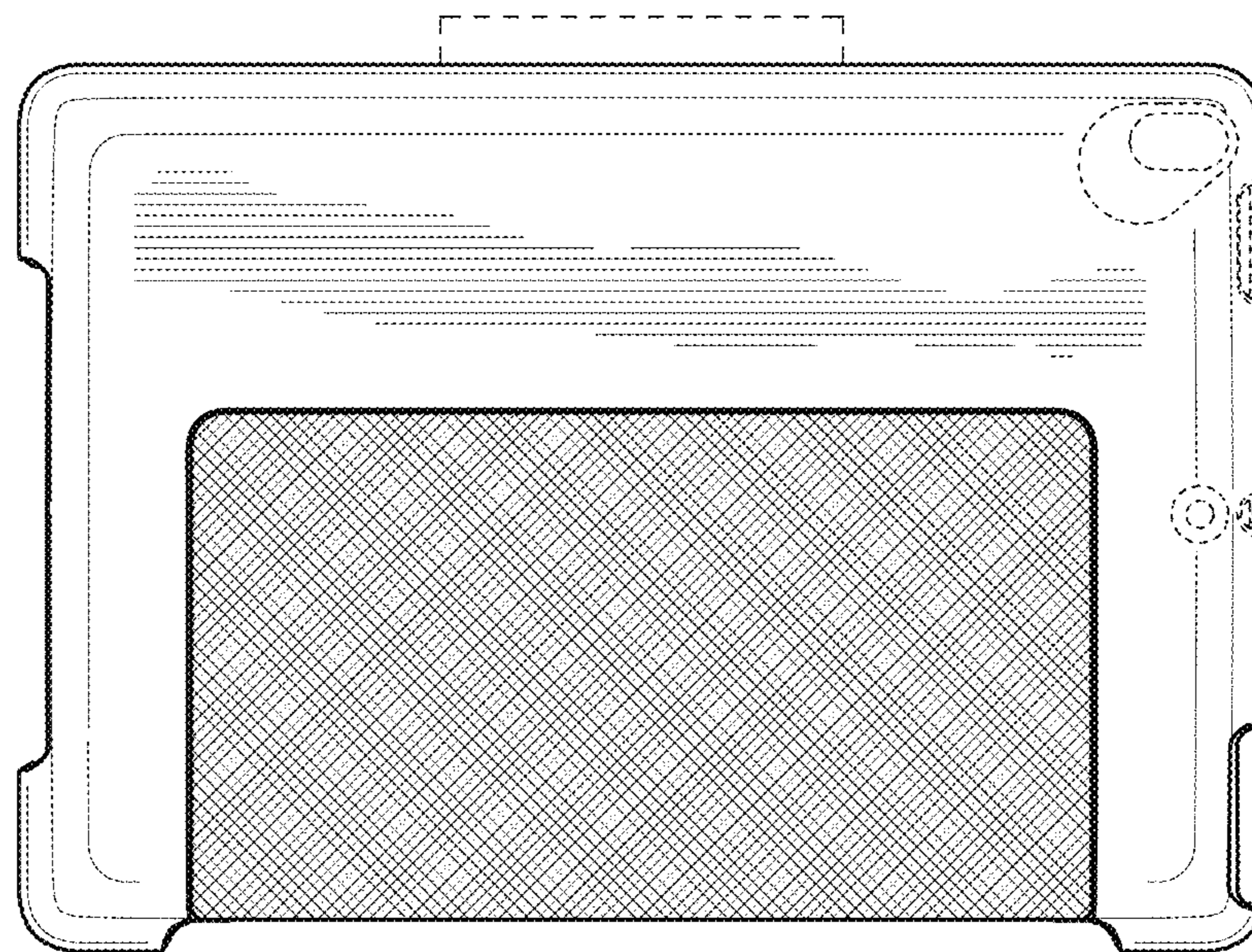


FIG. 5

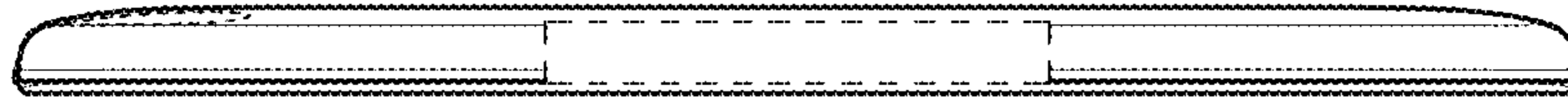


FIG. 6



FIG. 7

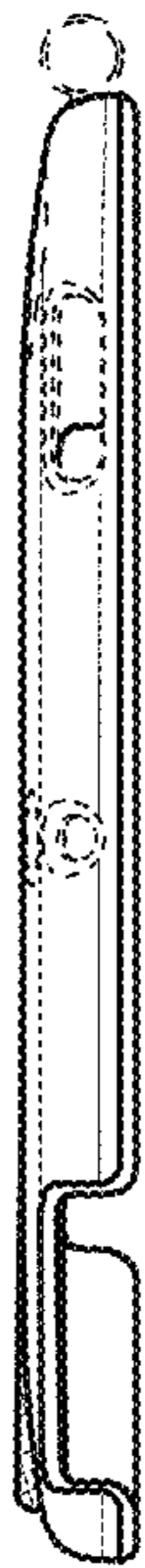


FIG. 8



FIG. 9

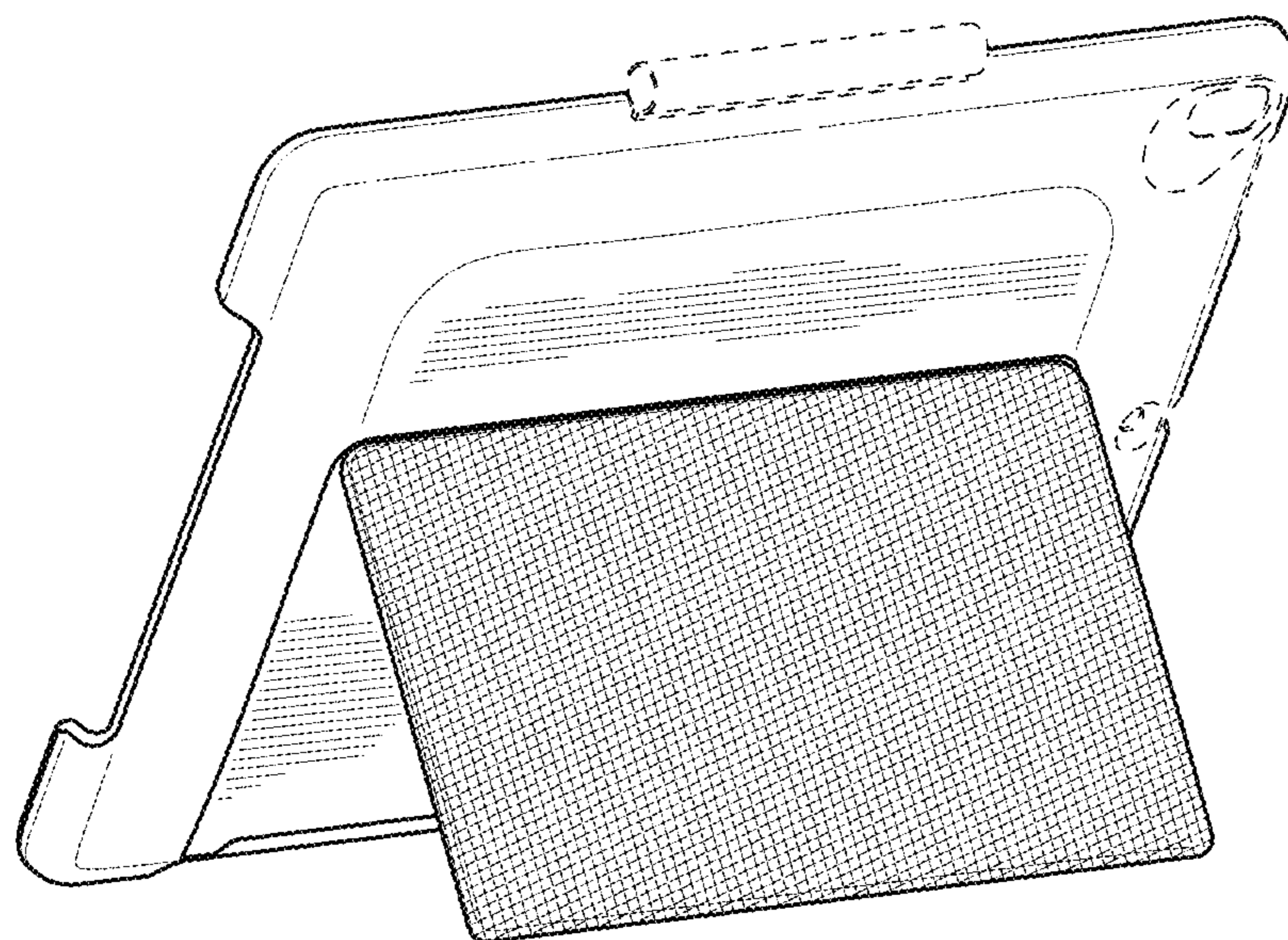


FIG. 10

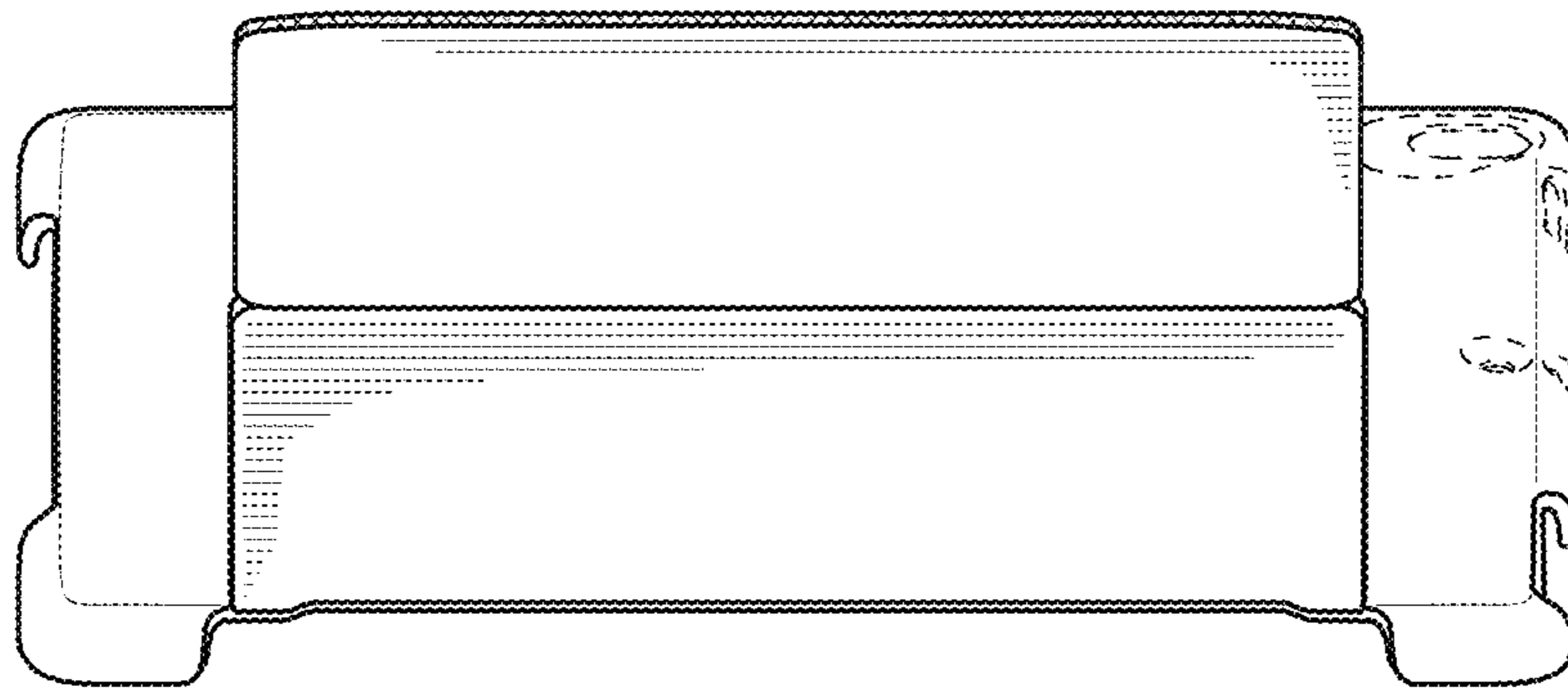


FIG. 11

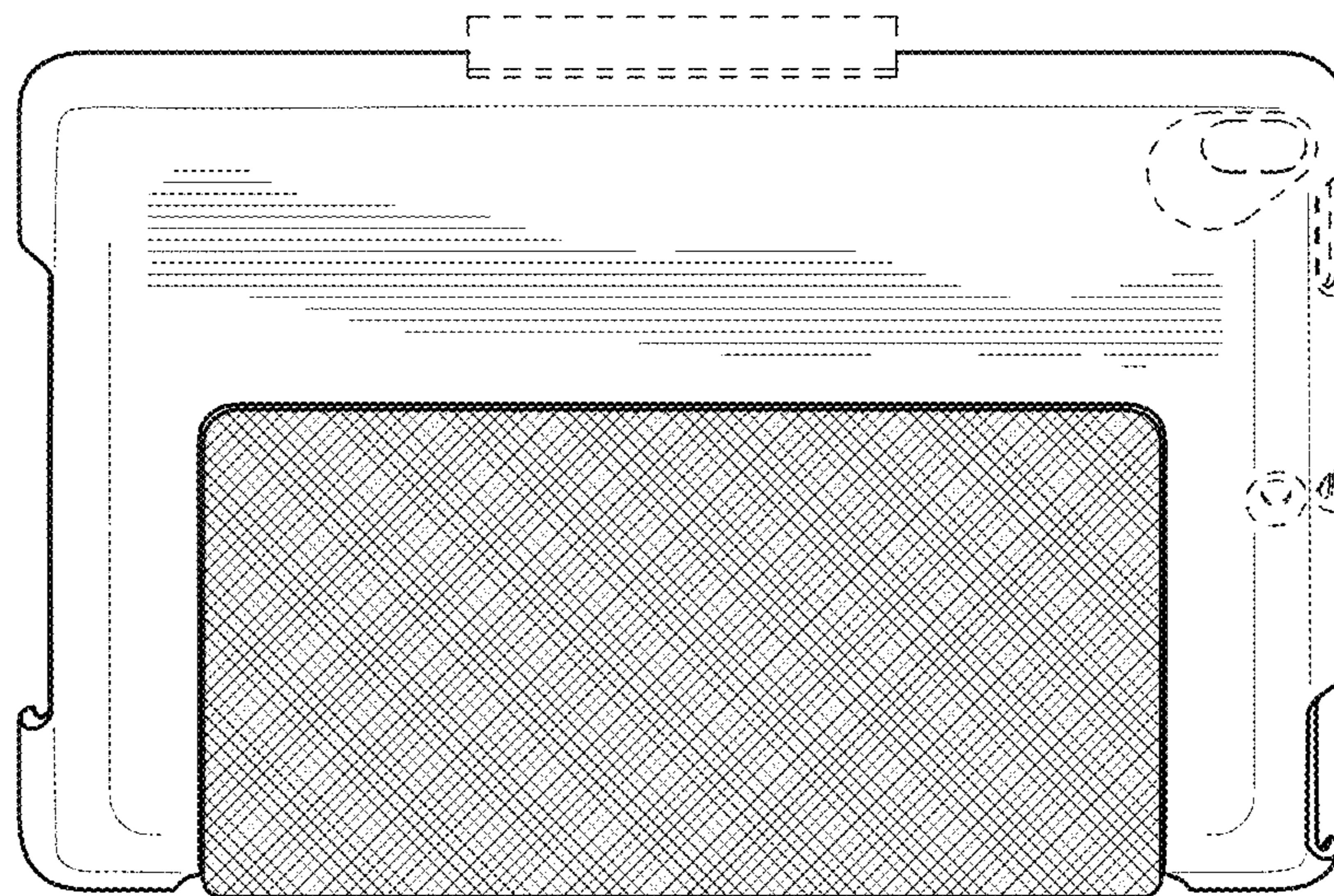


FIG. 12



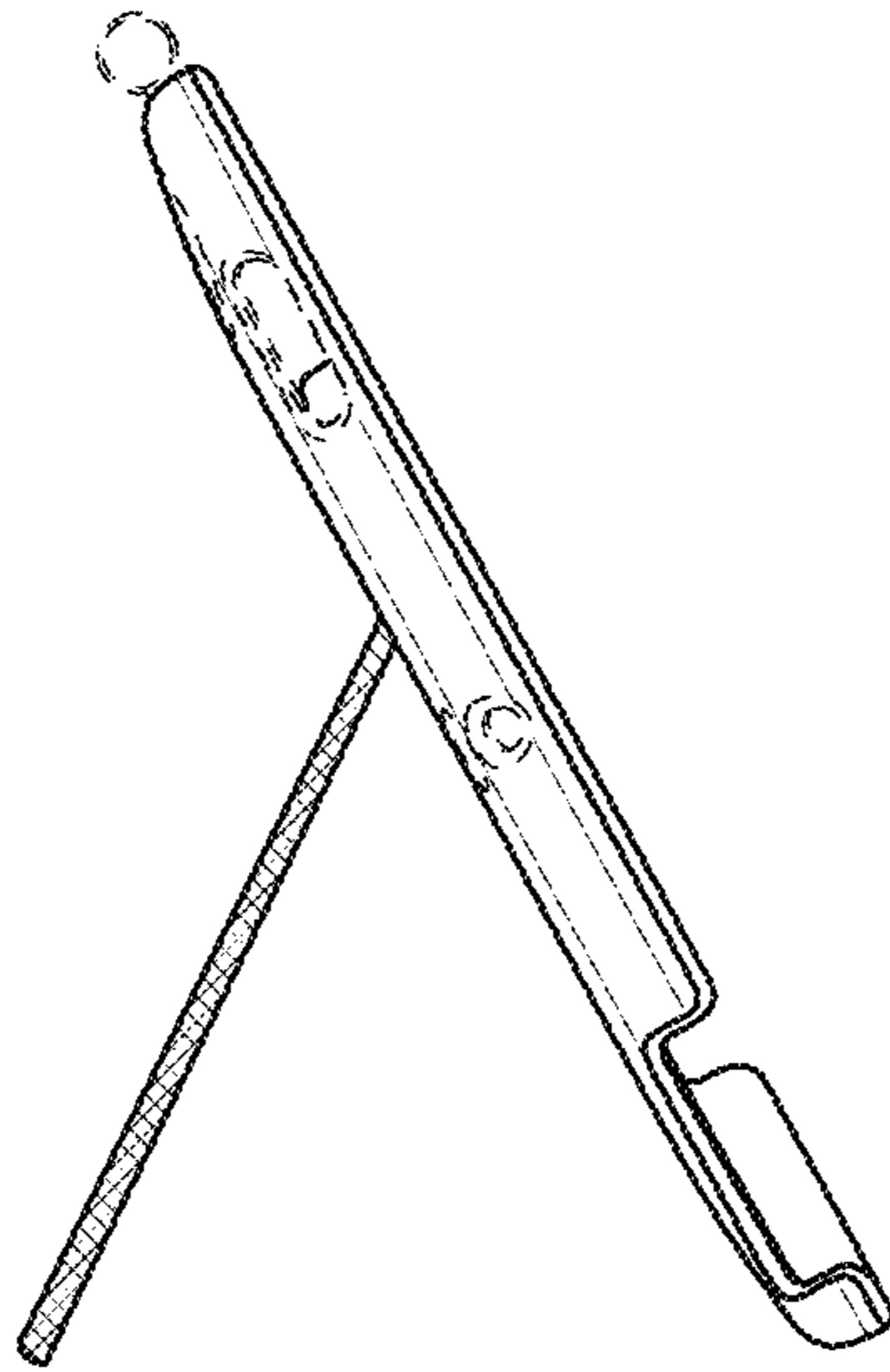


FIG. 13

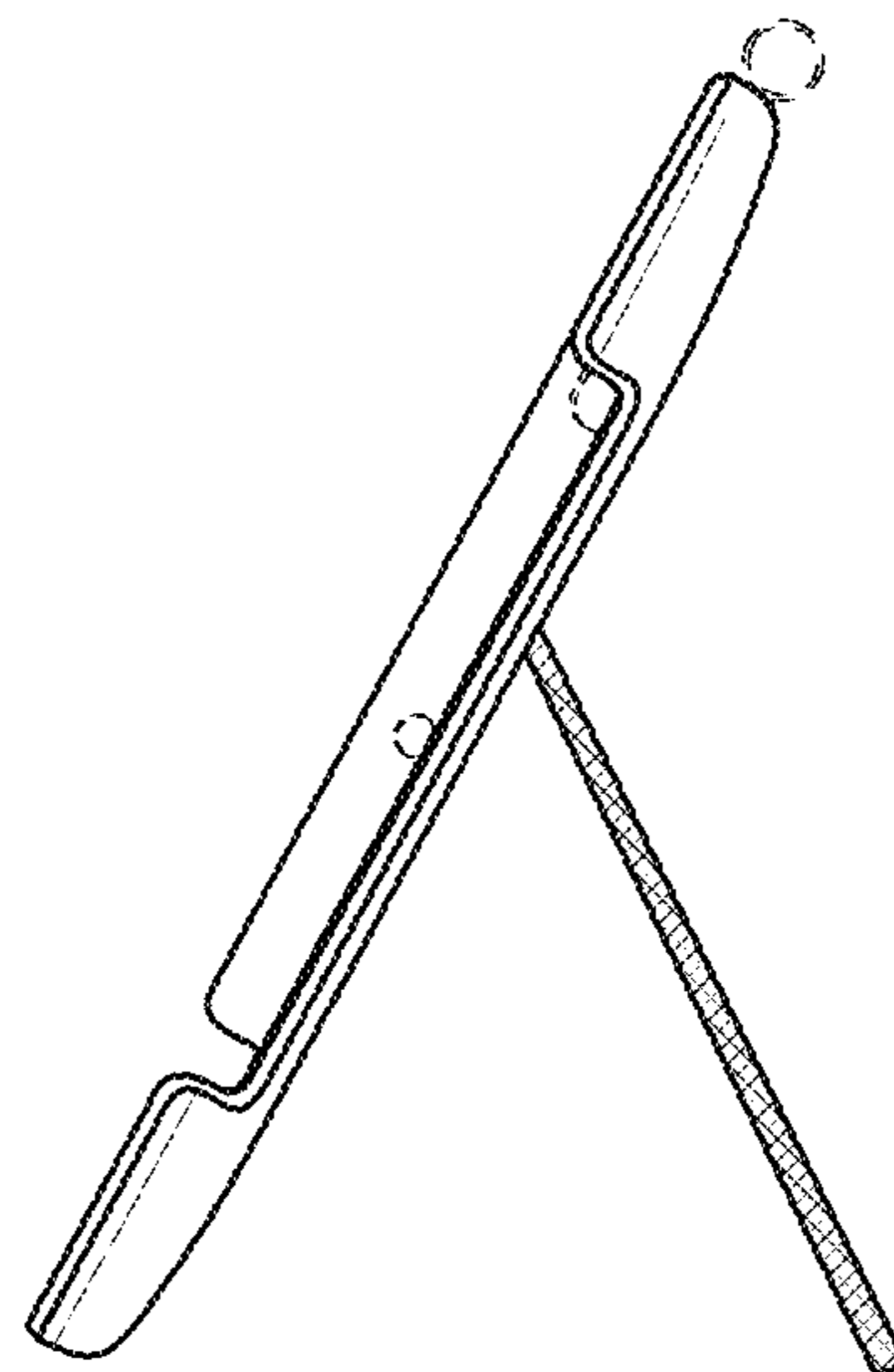


FIG. 14