



US00D832851S

(12) **United States Design Patent** (10) **Patent No.:** **US D832,851 S**
Mecchella et al. (45) **Date of Patent:** **** Nov. 6, 2018**

(54) **ELECTRONIC DEVICE COVER**

(74) *Attorney, Agent, or Firm* — Lee & Hayes, PLLC

(71) Applicant: **Amazon Technologies, Inc.**, Seattle, WA (US)

(57) **CLAIM**

The ornamental design for an electronic device cover, as shown and described.

(72) Inventors: **Monica Liane Mecchella**, San Francisco, CA (US); **Jesse Wheeler Moore**, Oakland, CA (US)

DESCRIPTION

(73) Assignee: **Amazon Technologies, Inc.**, Seattle, WA (US)

FIG. 1 is a front perspective view of a first embodiment of an electronic device cover.

(**) Term: **15 Years**

FIG. 2 is a back perspective view of the first embodiment of the electronic device cover.

(21) Appl. No.: **29/599,218**

FIG. 3 is a front view of the first embodiment of the electronic device cover of FIG. 1.

(22) Filed: **Mar. 31, 2017**

FIG. 4 is a back view of the first embodiment of the electronic device cover of FIG. 1.

(51) **LOC (11) Cl.** **14-02**

FIG. 5 is a left-side view of the first embodiment of the electronic device cover of FIG. 1.

(52) **U.S. Cl.**

USPC **D14/440**

FIG. 6 is a right-side view of the first embodiment of the electronic device cover of FIG. 1.

(58) **Field of Classification Search**

USPC D14/440, 250, 447, 426, 330; 206/45.23, 206/320, 45.2; 361/679.55; 294/25

FIG. 7 is a top view of the first embodiment of the electronic device cover of FIG. 1.

(Continued)

FIG. 8 is a bottom view of the first embodiment of the electronic device cover of FIG. 1.

(56) **References Cited**

U.S. PATENT DOCUMENTS

D323,937 S * 2/1992 Solomon D3/299
D467,429 S * 12/2002 Bone D3/294

FIG. 9 is a first opened state view of the first embodiment of the electronic device cover of FIG. 1.

(Continued)

FIG. 10 is a second open state view of the first embodiment of the electronic device cover of FIG. 1.

FOREIGN PATENT DOCUMENTS

JP D1567116 1/2017

FIG. 11 is a front perspective view of a second embodiment of an electronic device cover. The crosshatched pattern shown on the views of the second embodiment represents fabric (e.g., a woven fabric), and is understood to be distributed uniformly over the surface of the claimed design upon which the pattern occurs.

OTHER PUBLICATIONS

The Japanese Office Action dated Feb. 9, 2018 for Japanese design application No. 2017-019791, a counterpart foreign application of Design U.S. Appl. No. 29/599,218, 4 pages.

FIG. 12 is a back perspective view of the second embodiment of the electronic device cover.

(Continued)

FIG. 13 is a front view of the second embodiment of the electronic device cover of FIG. 11.

FIG. 14 is a back view of the second embodiment of the electronic device cover of FIG. 11.

FIG. 15 is a left-side view of the second embodiment of the electronic device cover of FIG. 11.

(Continued)

Primary Examiner — Cynthia R Underwood

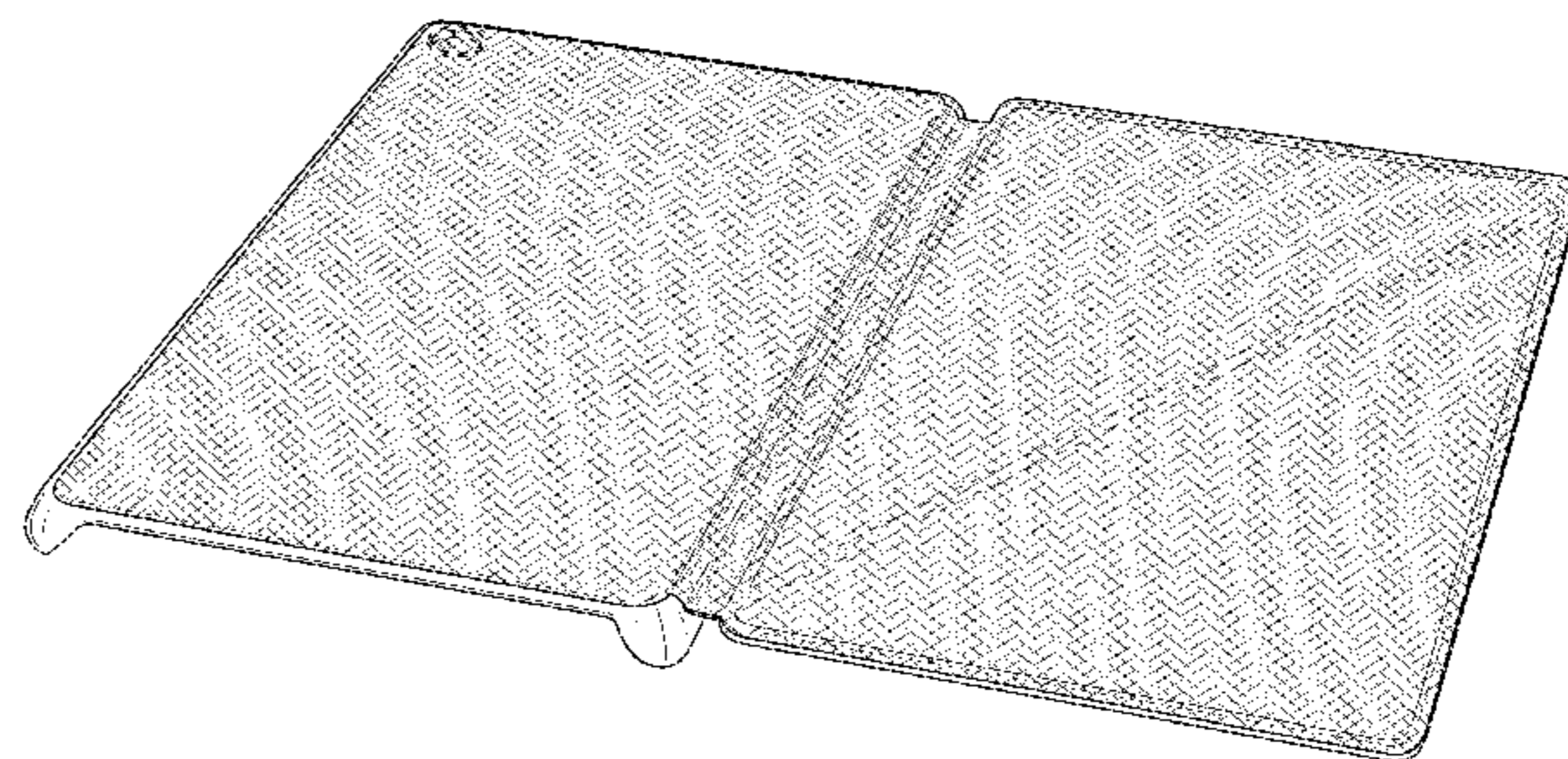
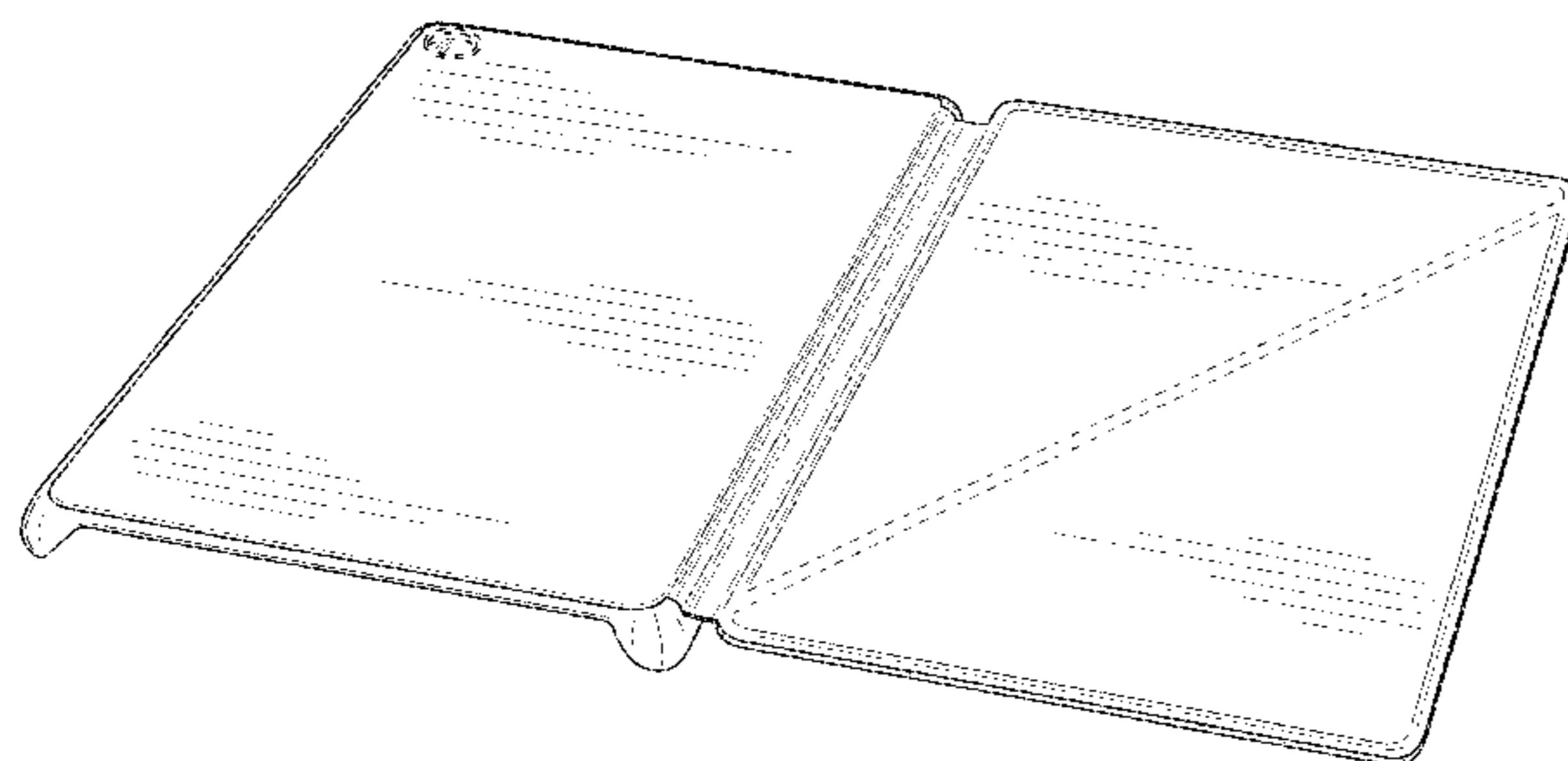


FIG. 16 is a right-side view of the second embodiment of the electronic device cover of FIG. 11.
 FIG. 17 is a top view of the second embodiment of the electronic device cover of FIG. 11.
 FIG. 18 is a bottom view of the second embodiment of the electronic device cover of FIG. 11.
 FIG. 19 is a first open state view of the second embodiment of the electronic device cover of FIG. 11.
 FIG. 20 is a second open state view of the second embodiment of the electronic device cover of FIG. 11.
 FIG. 21 is a front perspective view of a third embodiment of an electronic device cover.
 FIG. 22 is a back perspective view of the third embodiment of the electronic device cover.
 FIG. 23 is a front view of the third embodiment of the electronic device cover of FIG. 21.
 FIG. 24 is a back view of the third embodiment of the electronic device cover of FIG. 21.
 FIG. 25 is a left-side view of the third embodiment of the electronic device cover of FIG. 21.
 FIG. 26 is a right-side view of the third embodiment of the electronic device cover of FIG. 21.
 FIG. 27 is a top view of the third embodiment of the electronic device cover of FIG. 21.
 FIG. 28 is a bottom view of the third embodiment of the electronic device cover of FIG. 21.
 FIG. 29 is a first open state view of the third embodiment of the electronic device cover of FIG. 21.
 FIG. 30 is a second open state view of the third embodiment of the electronic device cover of FIG. 21.
 FIG. 31 is a front perspective view of a fourth embodiment of an electronic device cover. The crosshatched pattern shown on the views of the fourth embodiment represents fabric (e.g., a woven fabric), and is understood to be distributed uniformly over the surface of the claimed design upon which the pattern occurs.
 FIG. 32 is a back perspective view of the fourth embodiment of the electronic device cover.
 FIG. 33 is a front view of the fourth embodiment of the electronic device cover of FIG. 31.
 FIG. 34 is a back view of the fourth embodiment of the electronic device cover of FIG. 31.
 FIG. 35 is a left-side view of the fourth embodiment of the electronic device cover of FIG. 31.
 FIG. 36 is a right-side view of the fourth embodiment of the electronic device cover of FIG. 31.
 FIG. 37 is a top view of the fourth embodiment of the electronic device cover of FIG. 31.
 FIG. 38 is a bottom view of the fourth embodiment of the electronic device cover of FIG. 31.
 FIG. 39 is a first open state view of the fourth embodiment of the electronic device cover of FIG. 31; and,
 FIG. 40 is a second open state view of the fourth embodiment of the electronic device cover of FIG. 31.
 The broken lines depict portions of the electronic device cover which form no part of the claimed design.

1 Claim, 40 Drawing Sheets

(58) **Field of Classification Search**
 CPC G06F 1/1628; G06F 1/1626; G06F 1/669;
 A47B 23/044; H04B 1/3888
 See application file for complete search history.

(56) **References Cited**

U.S. PATENT DOCUMENTS

D657,354	S	*	4/2012	Kim	D14/250
D676,448	S	*	2/2013	Gorman	D14/440
D676,449	S	*	2/2013	Probst	D14/440
8,542,495	B1	*	9/2013	Gorman	G06F 1/1626 361/679.02
D707,229	S	*	6/2014	Almodova	D14/440
D736,777	S	*	8/2015	Rayner	D14/440
D742,888	S	*	11/2015	Mecchella	D14/440
D742,889	S	*	11/2015	Mecchella	D14/440
D742,890	S	*	11/2015	Mecchella	D14/440
D748,097	S	*	1/2016	Feng	D14/440
D748,636	S	*	2/2016	Zadvinskis	D14/440
D753,123	S	*	4/2016	Probst	D14/440
9,307,131	B1	*	4/2016	Breen	H04N 5/2257
D761,798	S	*	7/2016	Lee	D14/440
D765,086	S	*	8/2016	Lee	D14/440
D765,663	S	*	9/2016	Shih	D14/440
D768,638	S	*	10/2016	Lee	D14/440
D774,036	S	*	12/2016	Kuntz	D14/440
D781,278	S	*	3/2017	Kim	D14/250
D787,520	S	*	5/2017	Wall	D14/440
D792,412	S	*	7/2017	Zhang	D14/440
D792,887	S	*	7/2017	Zhang	D14/440
D808,393	S	*	1/2018	Moore	D14/440
D810,088	S	*	2/2018	Moore	D14/440
D811,411	S	*	2/2018	Moore	D14/440
2007/0097087	A1	*	5/2007	Homer	G06F 1/1626 345/173
2008/0194139	A1	*	8/2008	Chan	G06F 1/1613 439/521
2012/0043235	A1	*	2/2012	Klement	A45C 11/00 206/320
2013/0264459	A1	*	10/2013	McCosh	G06F 1/1626 248/688
2016/0011628	A1	*	1/2016	Sato	G06F 1/1656 361/679.3

OTHER PUBLICATIONS

The Indian Office Action dated Oct. 17, 2017 for Indian design application No. 297355, a counterpart foreign application of Design U.S. Appl. No. 29/599,218, 2 pages.
 The Chinese Office Action dated Jan. 11, 2018 for Chinese design application No. 201730472788.0, a counterpart foreign application of Design U.S. Appl. No. 29/599,218, 1 page.
 The Korean Office Action dated Jan. 19, 2018 for Korean design application No. 30-2017-42087, a foreign counterpart application of Design U.S. Appl. No. 29/599,218, 2 pages.
 The Canadian Office Action dated Mar. 19, 2018 for Canadian Patent Application No. 177017, a counterpart foreign application of U.S. Appl. No. 29/599,218, 2 pages.
 The Canadian Office Action dated Mar. 19, 2018 for Canadian Patent Application No. 177014, a counterpart foreign application of U.S. Appl. No. 29/599,218, 1 page.
 Translated the Japanese Office Action dated Jun. 22, 2018 for Japanese Design Application No. 2017-019791, a counterpart foreign application of Design U.S. Appl. No. 29/599,218, 3 pages.

* cited by examiner

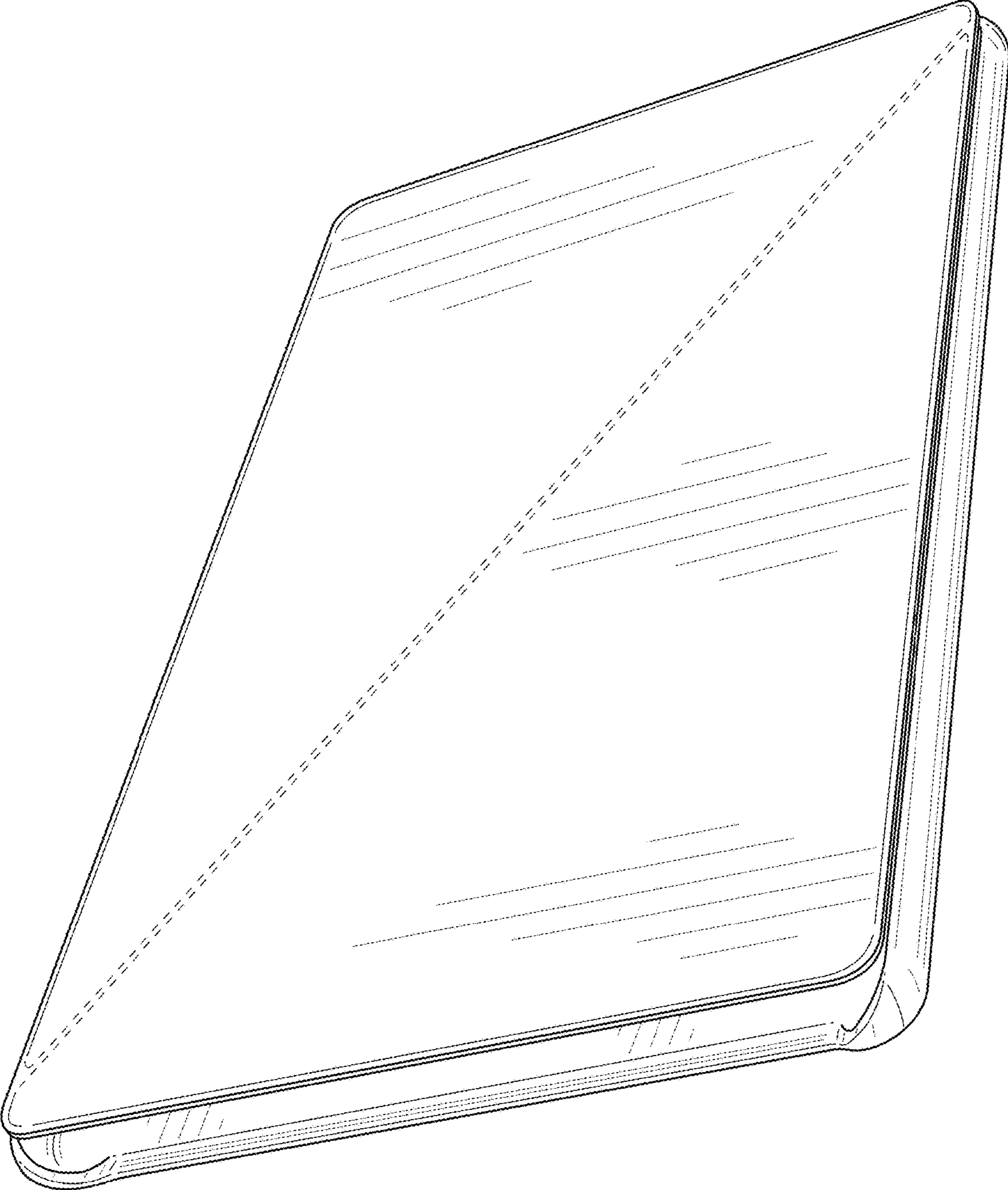


FIG. 1

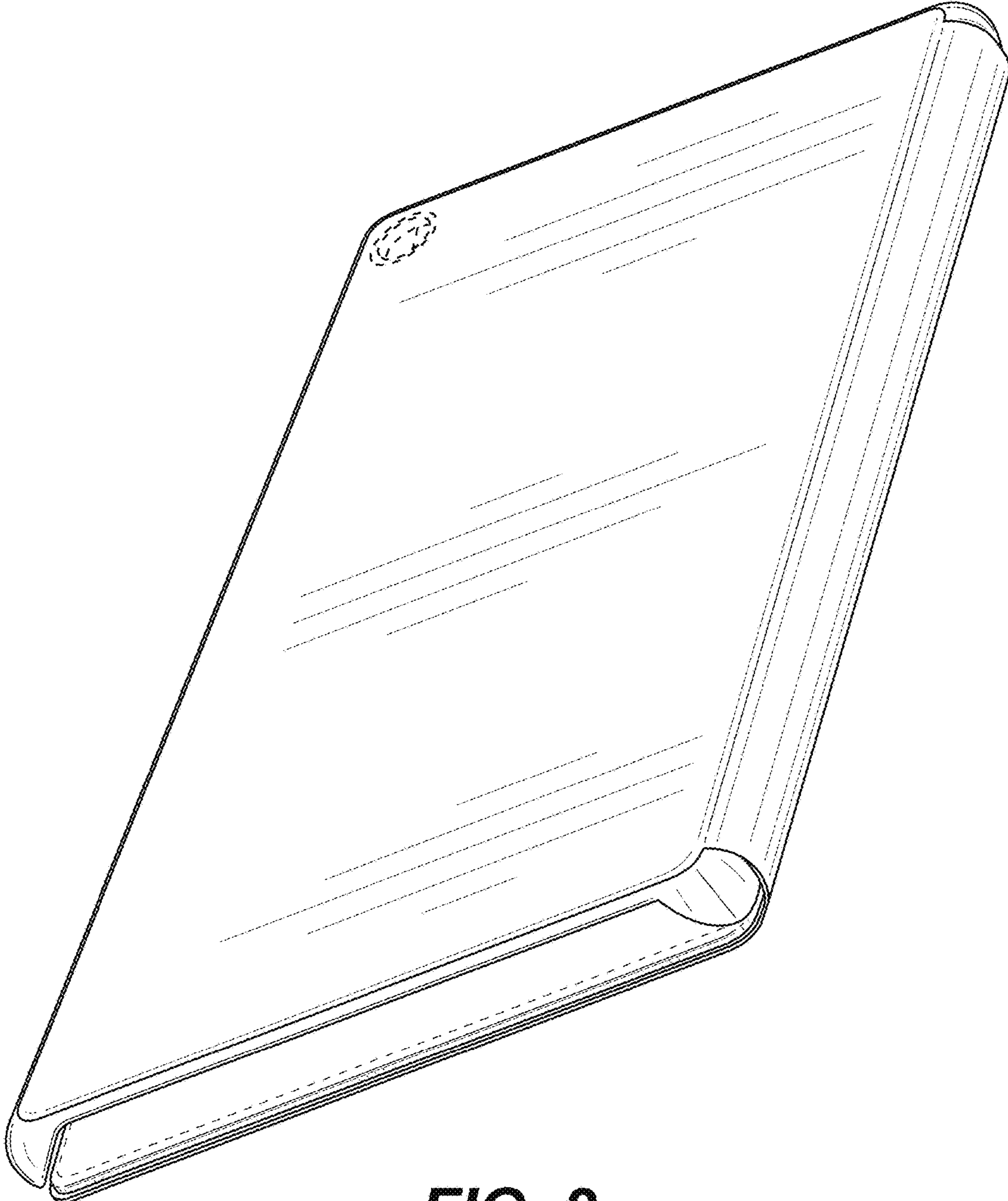


FIG. 2

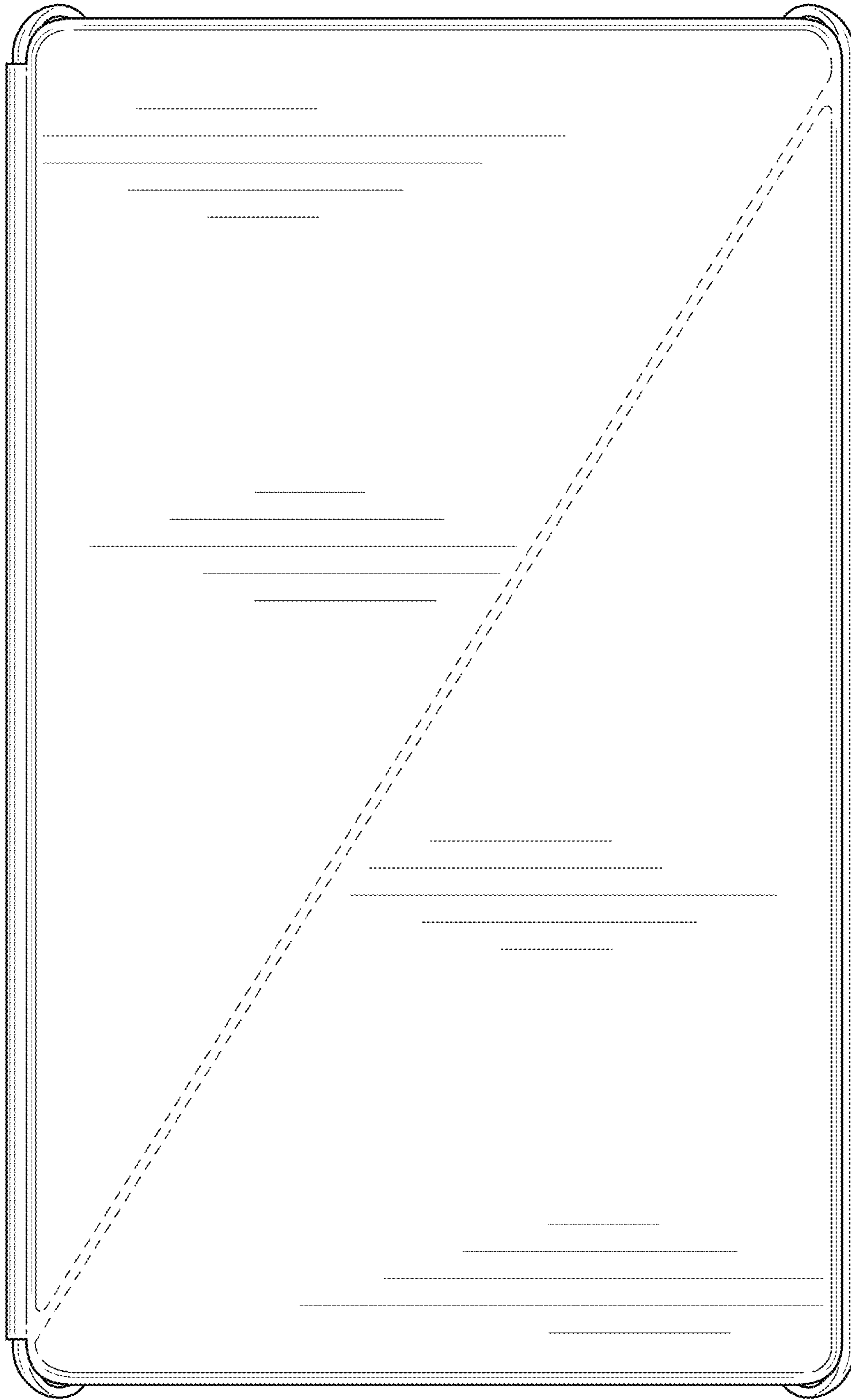


FIG. 3



FIG. 4

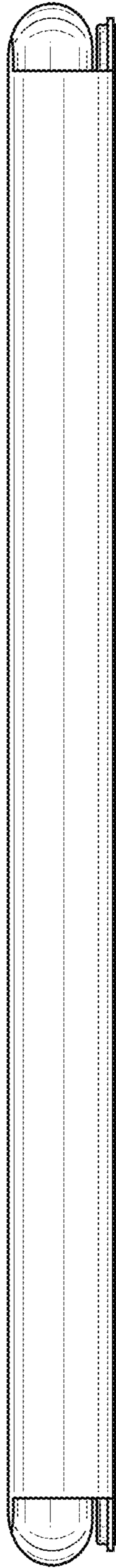


FIG. 5

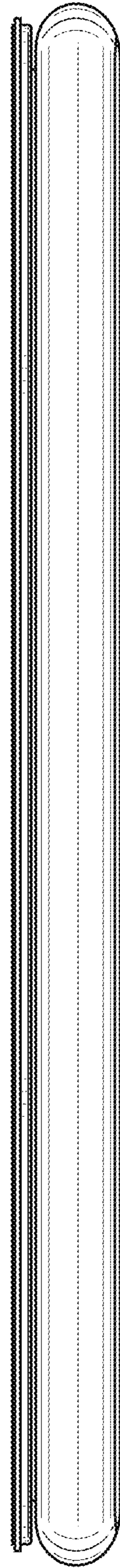


FIG. 6



FIG. 7



FIG. 8

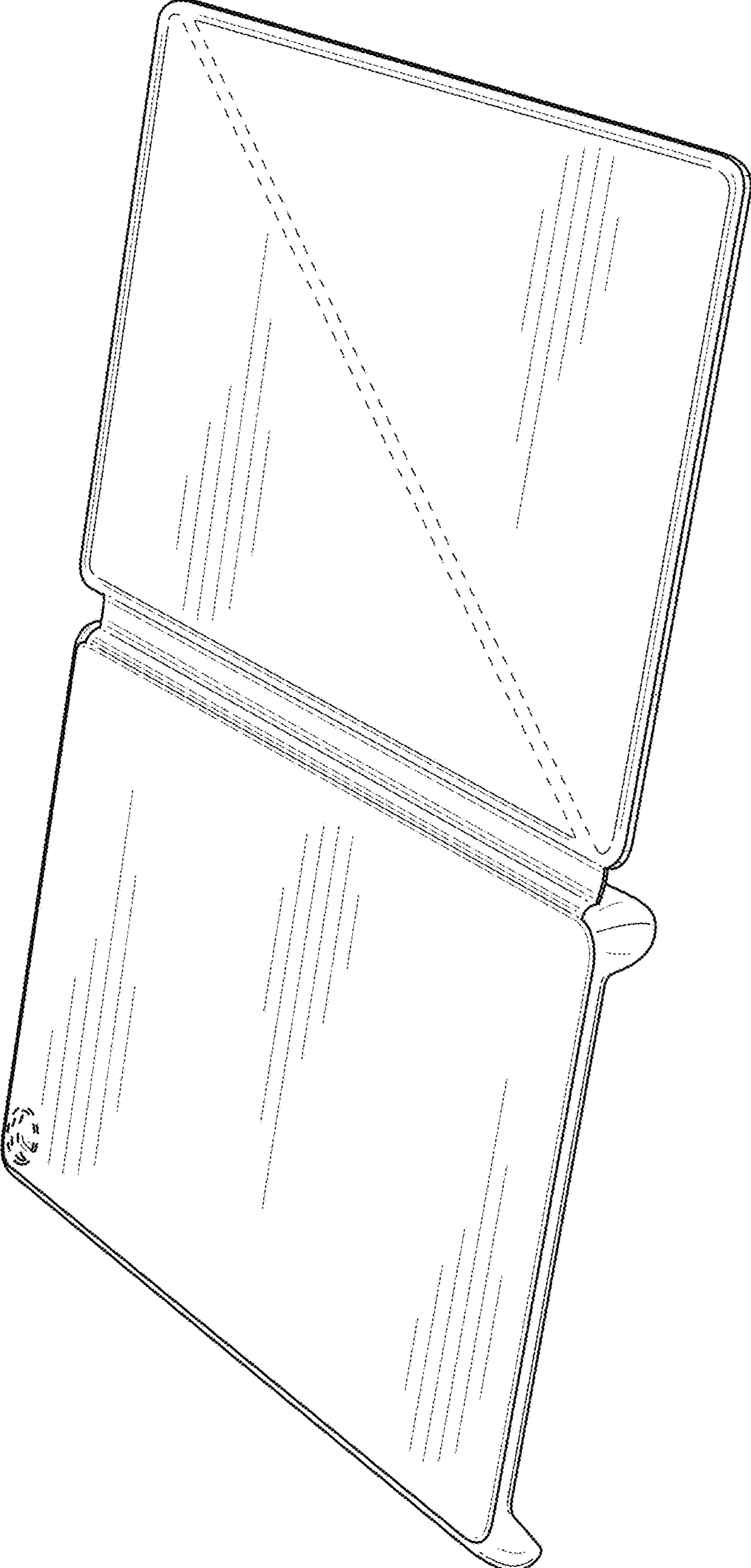


FIG. 9

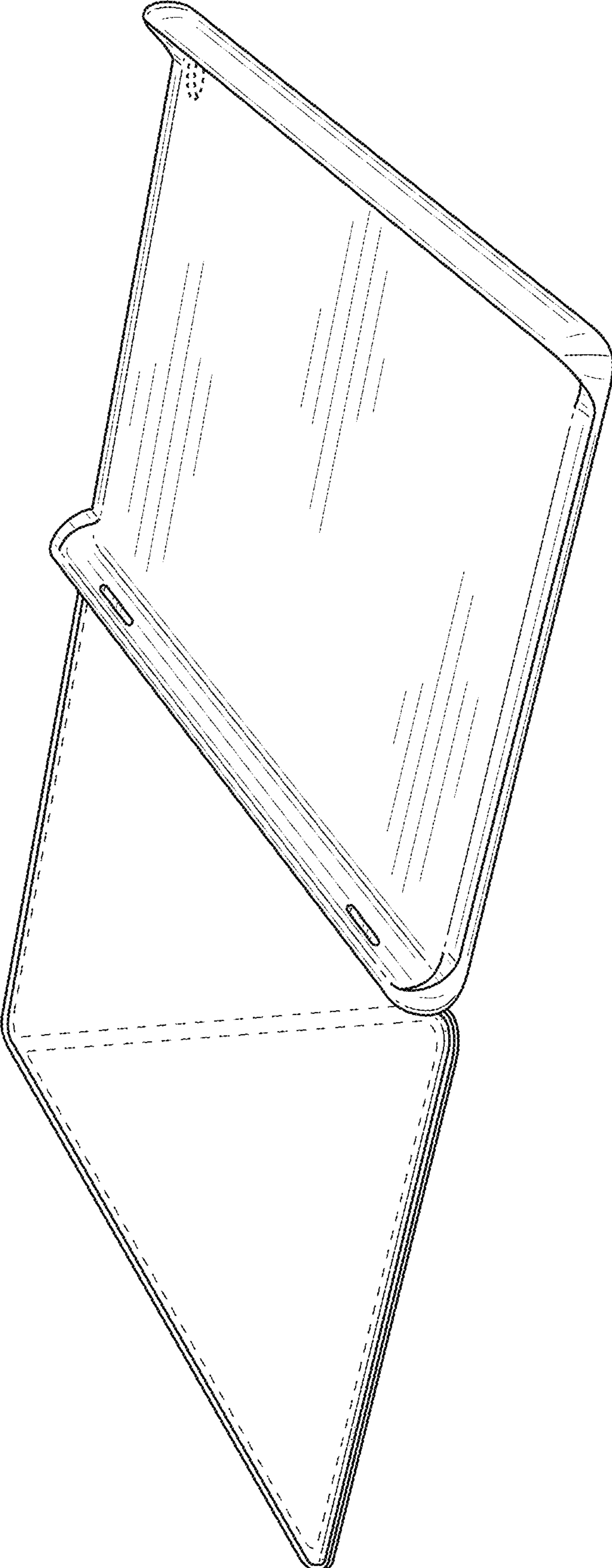


FIG. 10

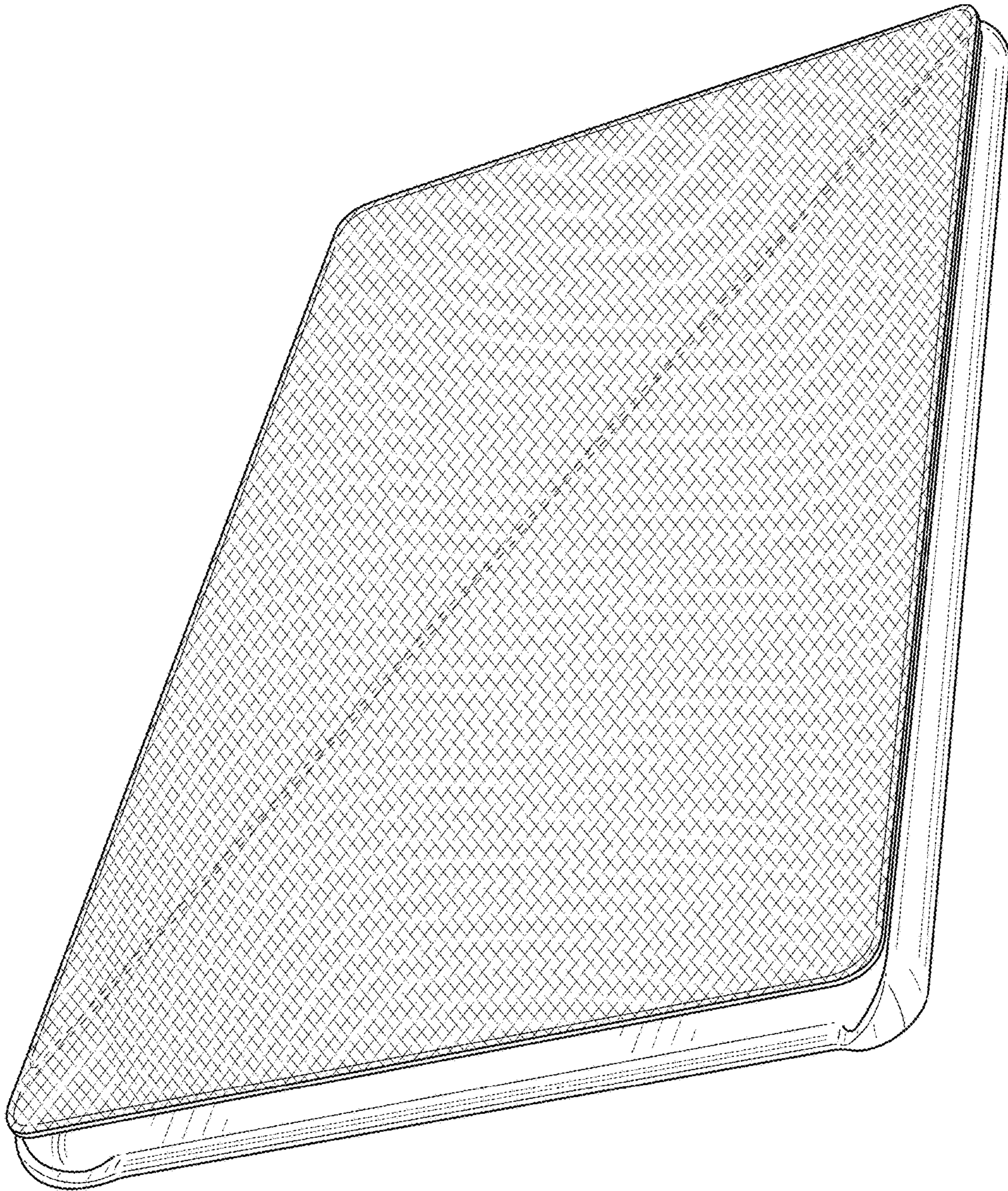


FIG. 11

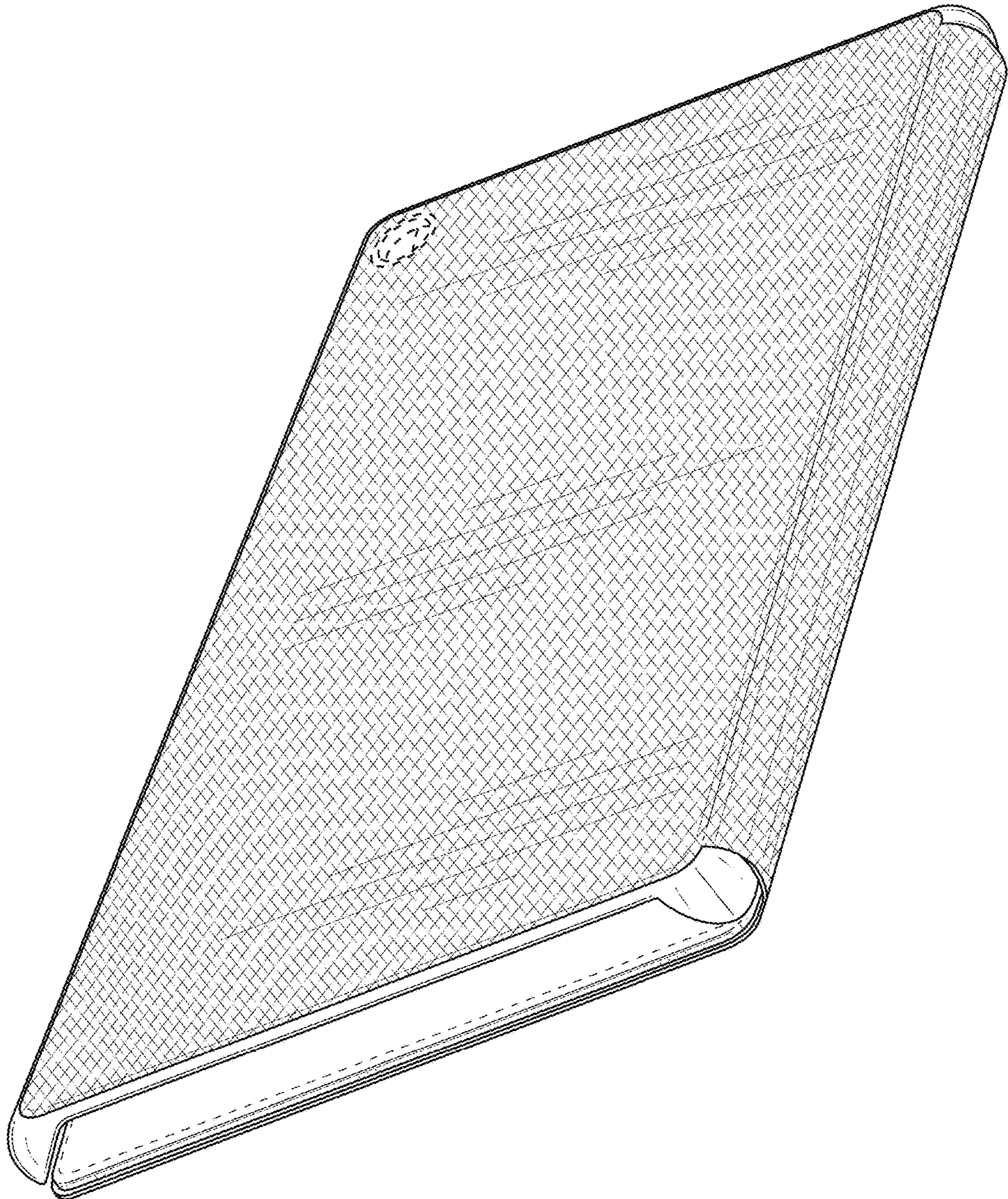


FIG. 12

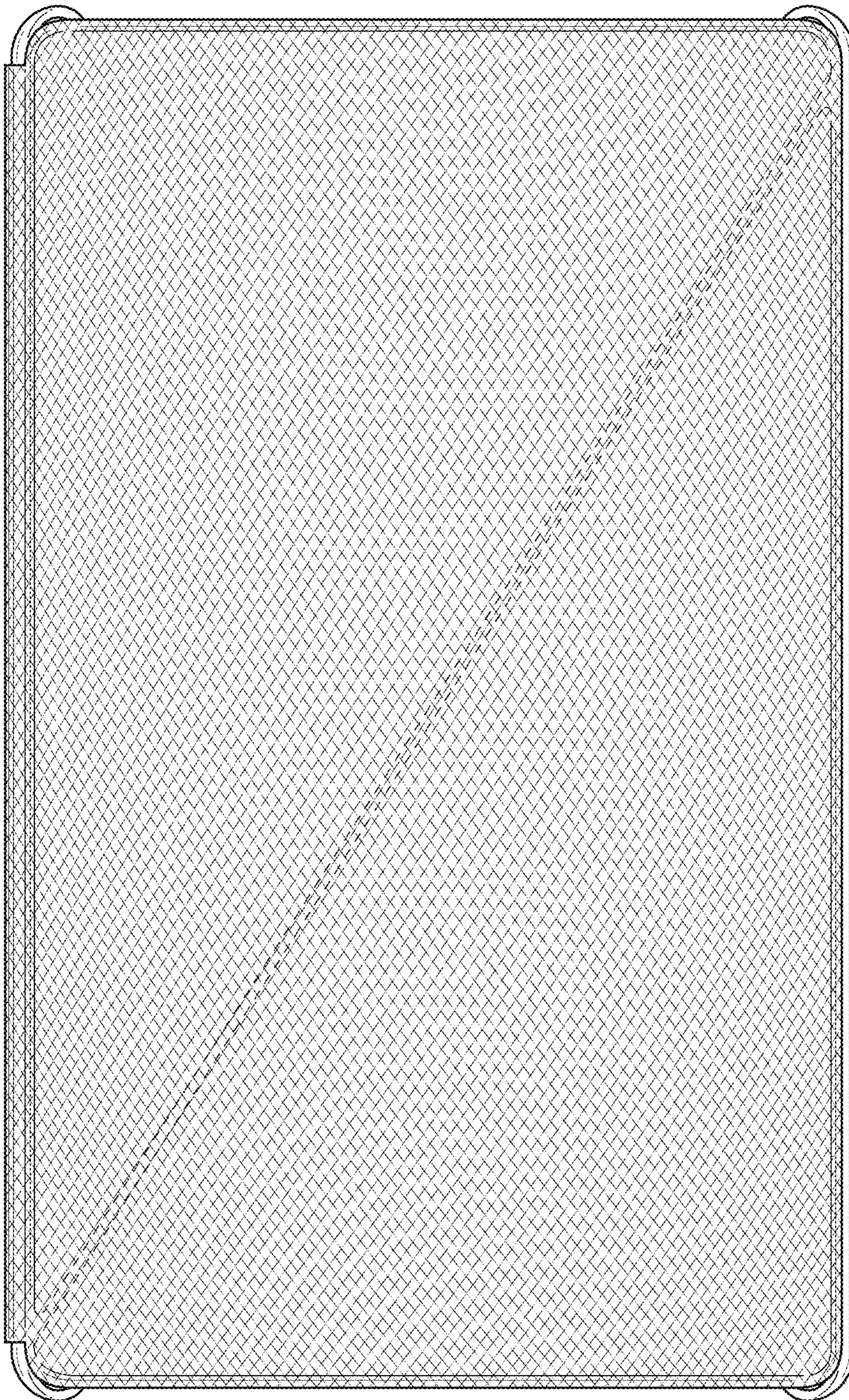


FIG. 13

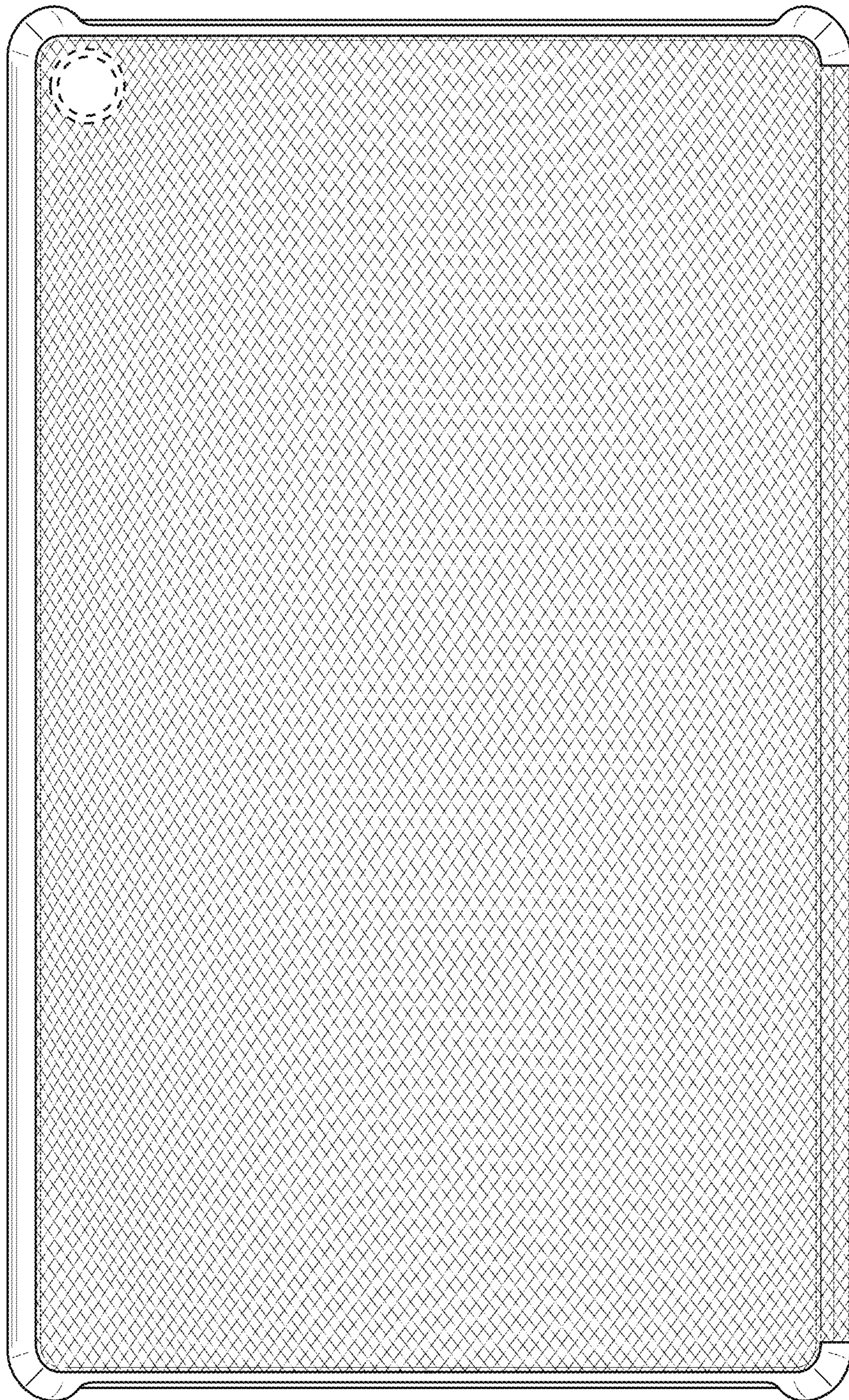


FIG. 14

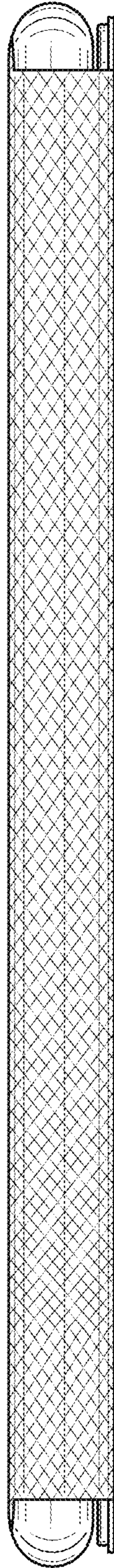


FIG. 15

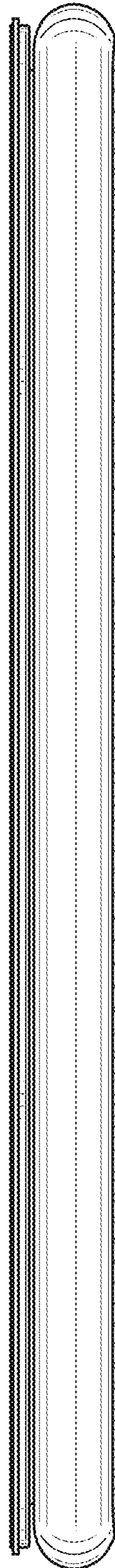


FIG. 16



FIG. 17



FIG. 18

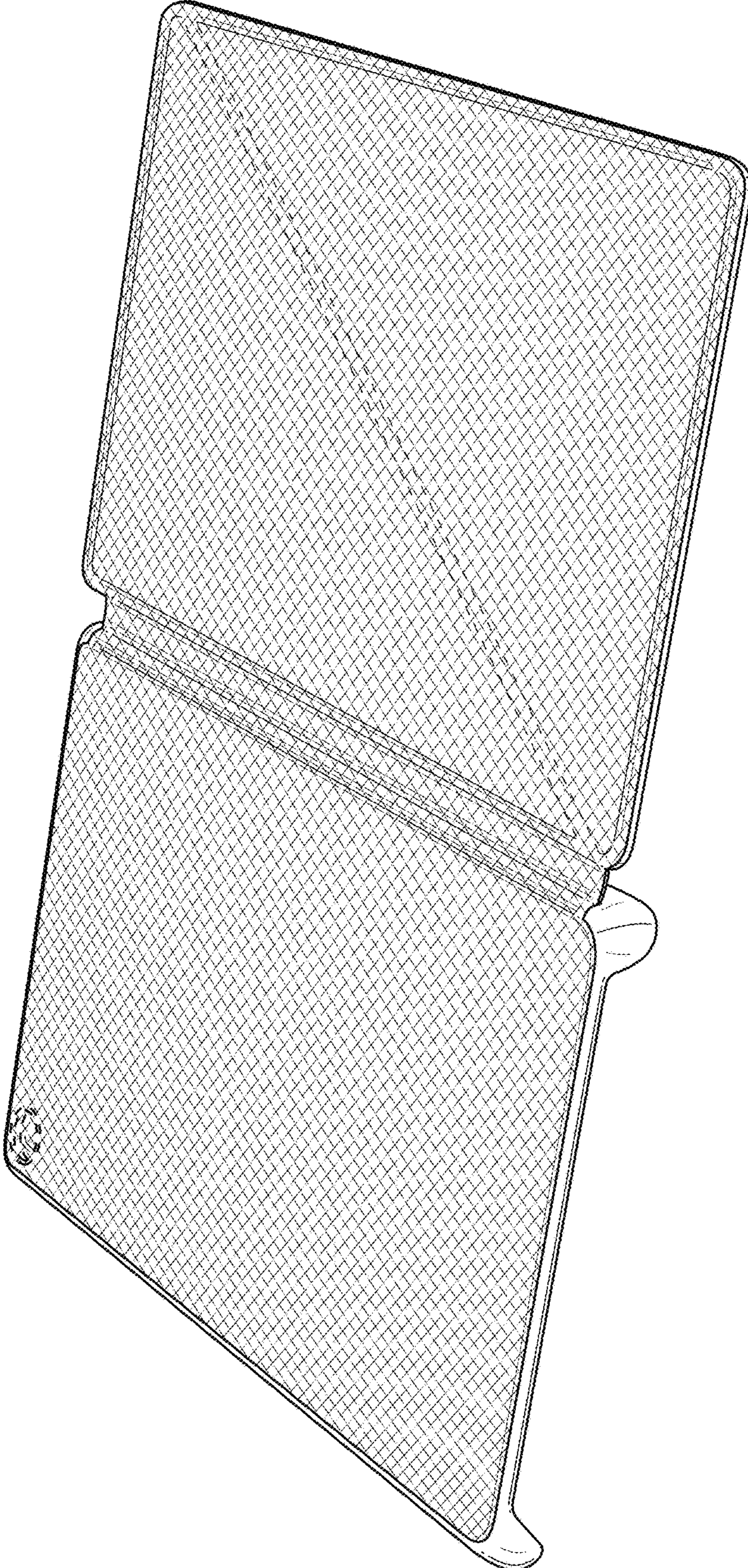


FIG. 19

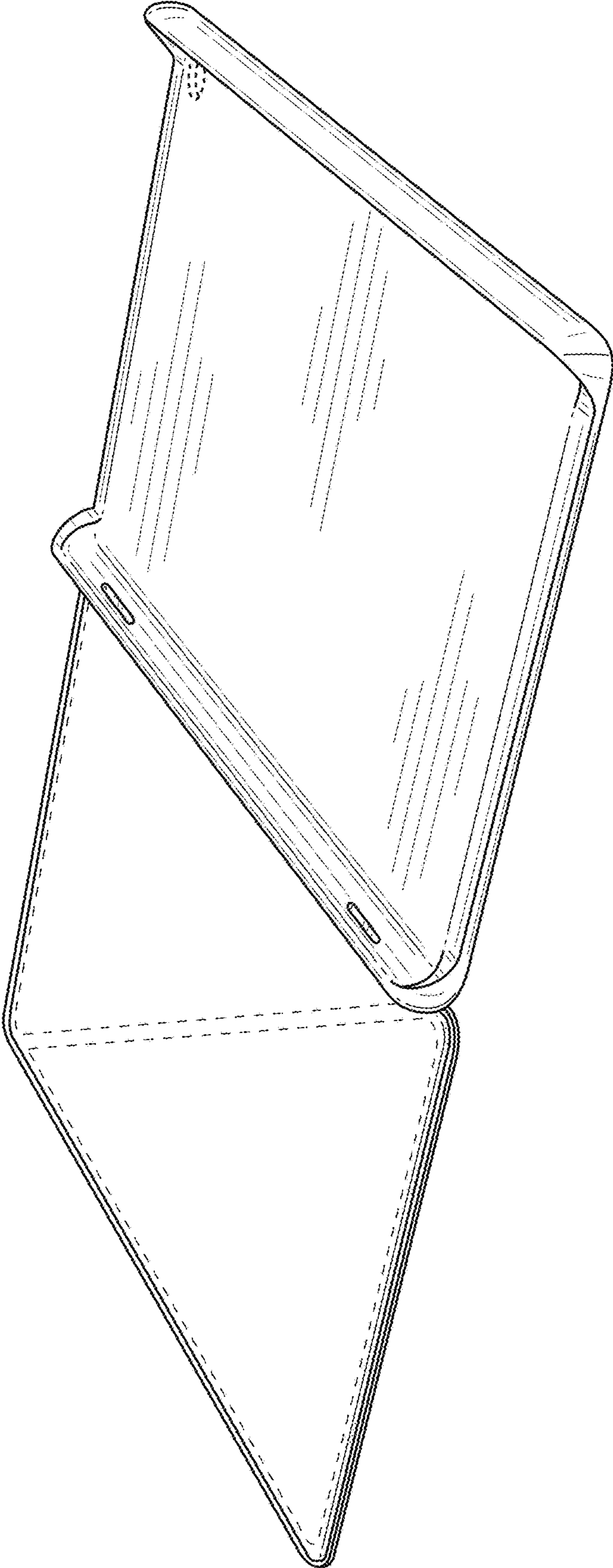


FIG. 20

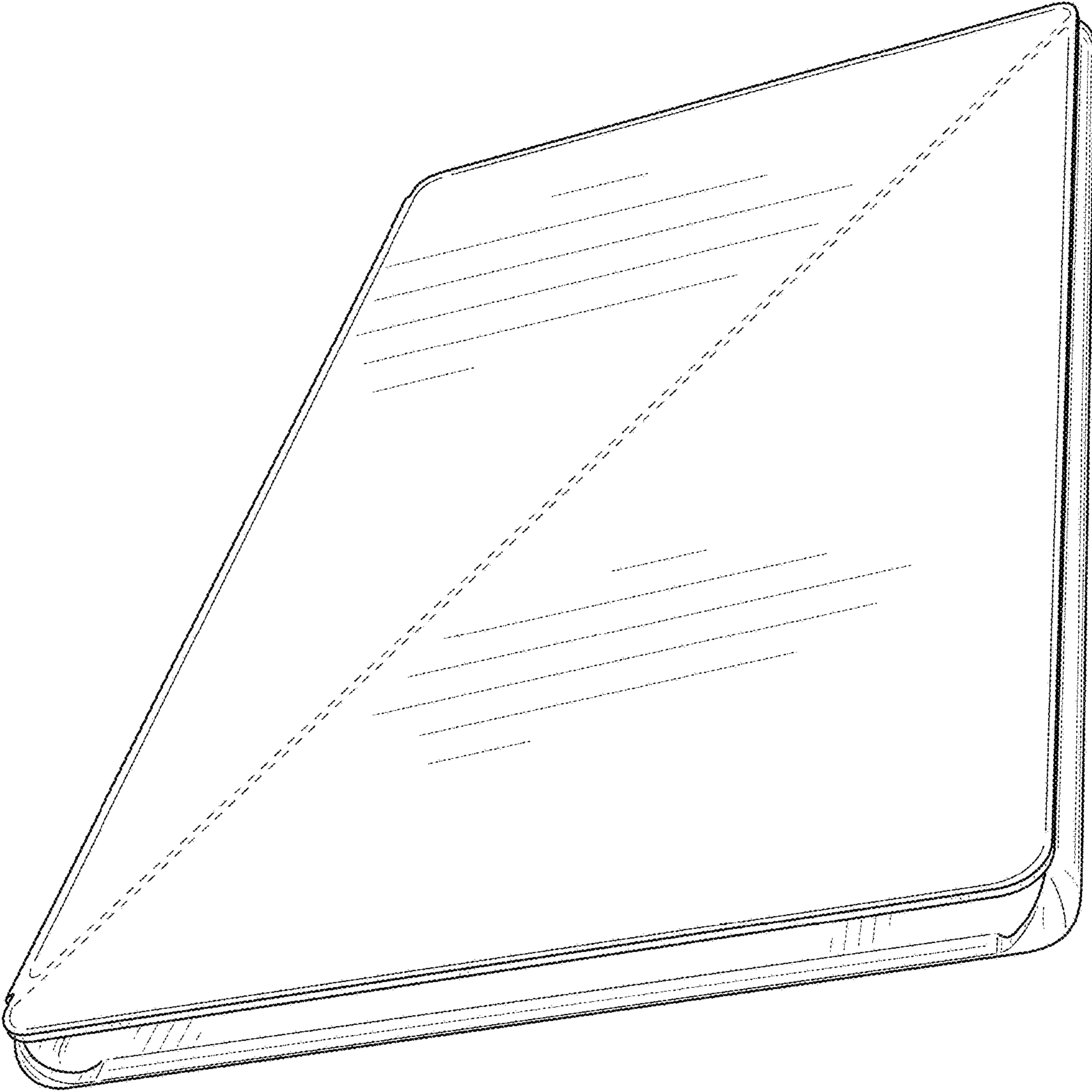


FIG. 21

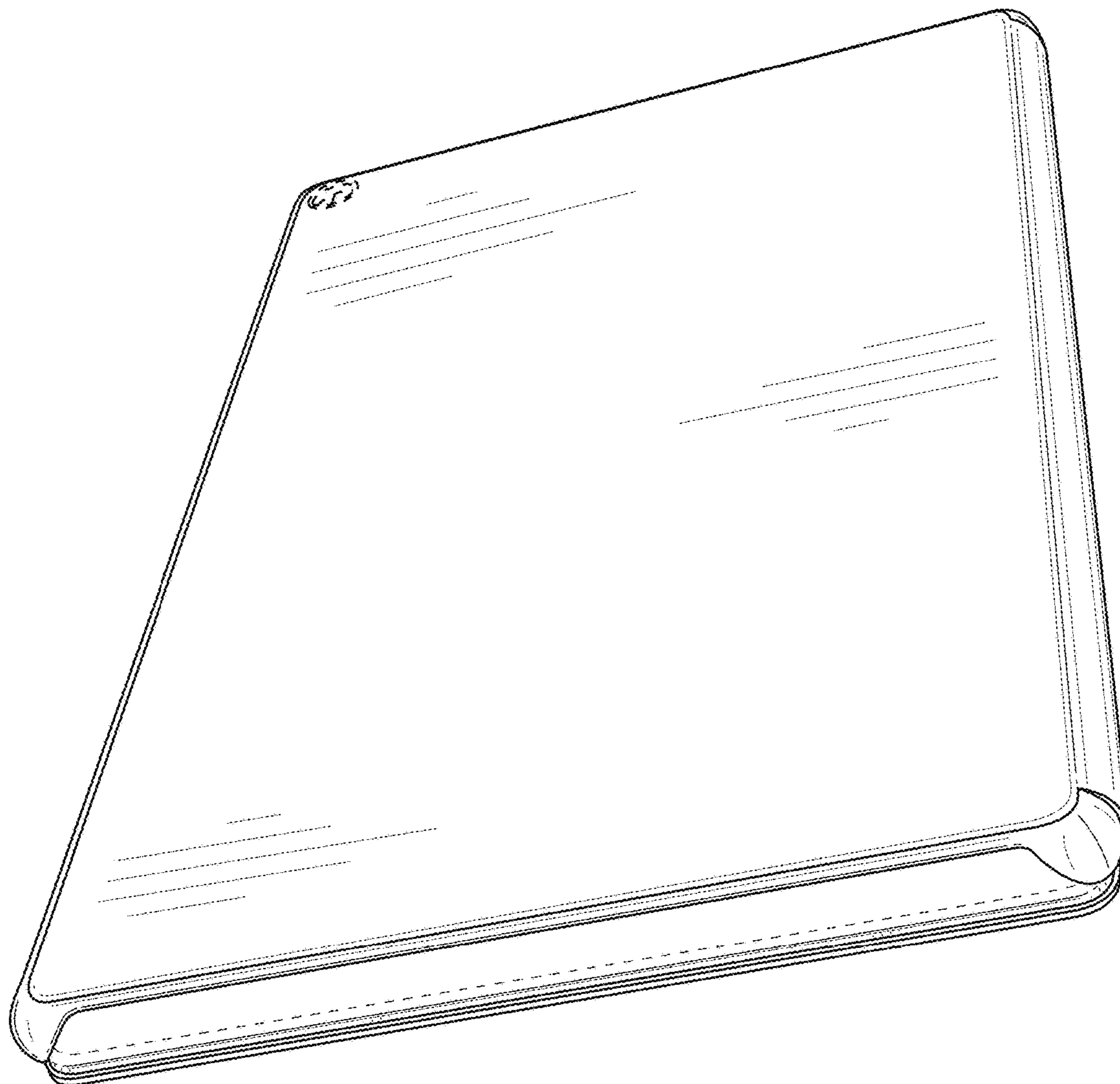


FIG. 22

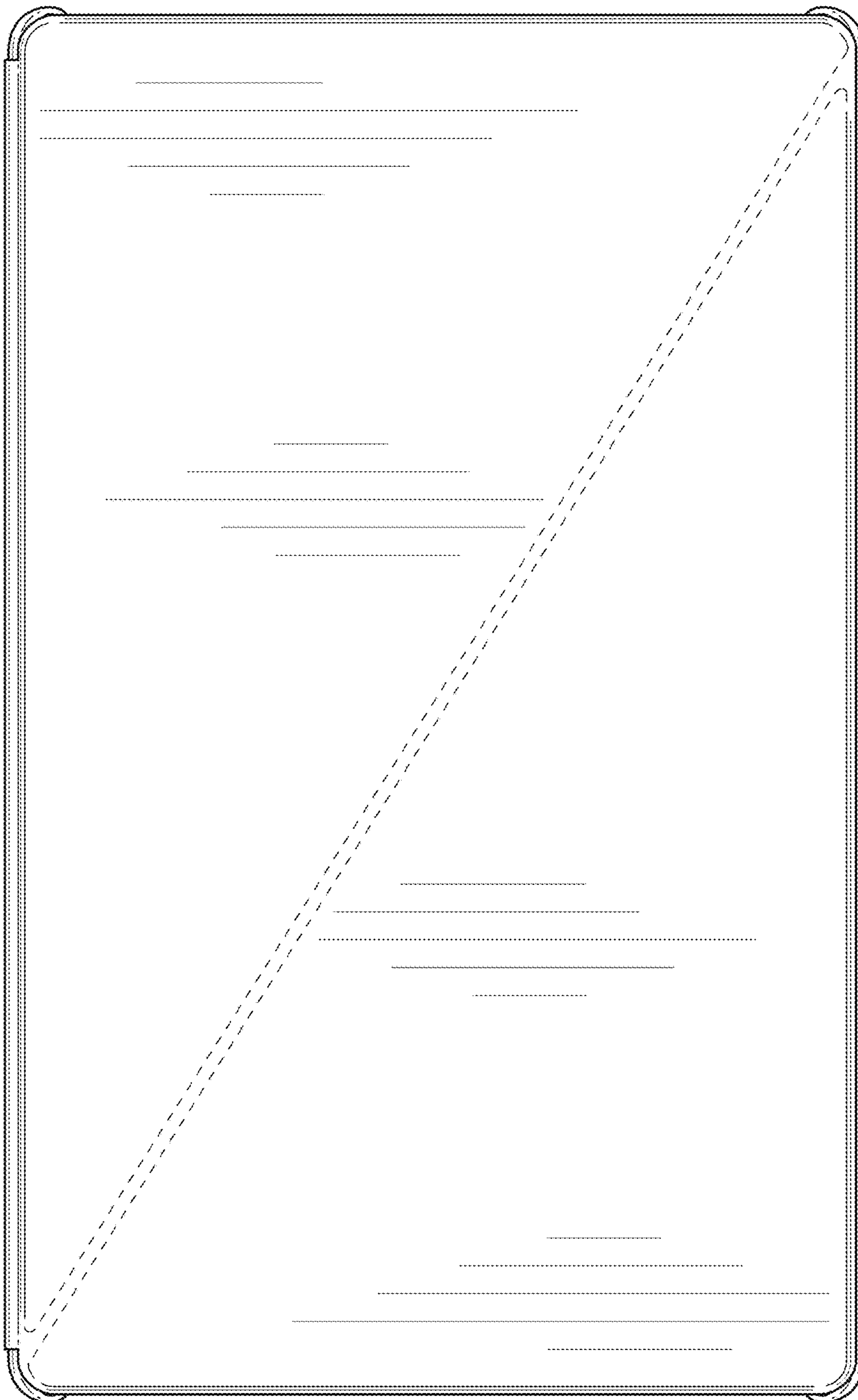


FIG. 23

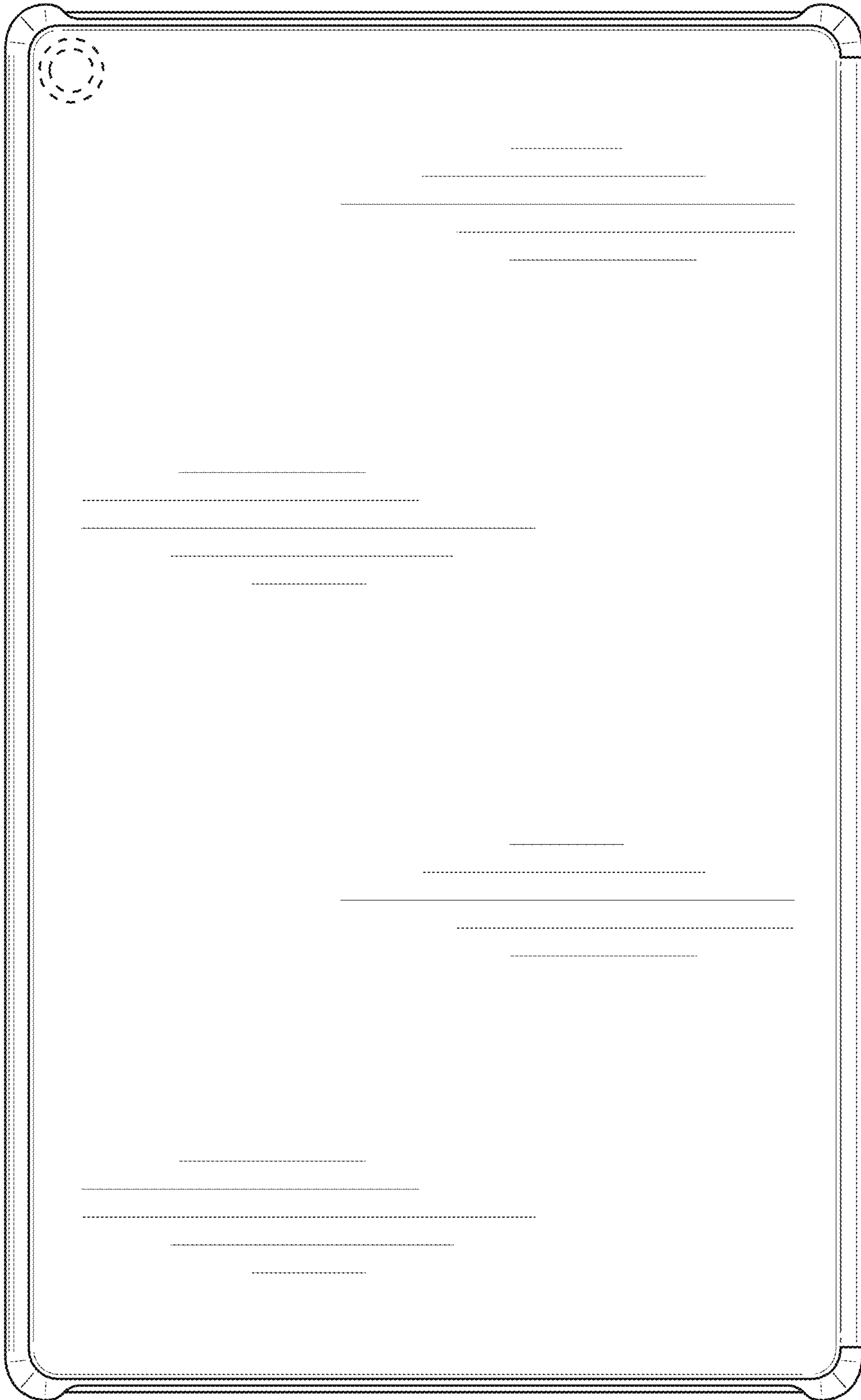


FIG. 24

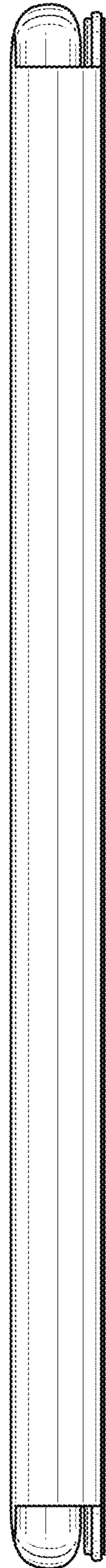


FIG. 25

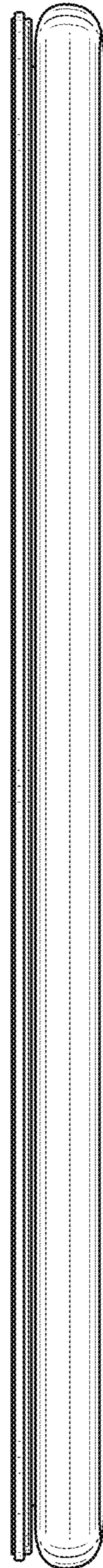


FIG. 26



FIG. 27



FIG. 28

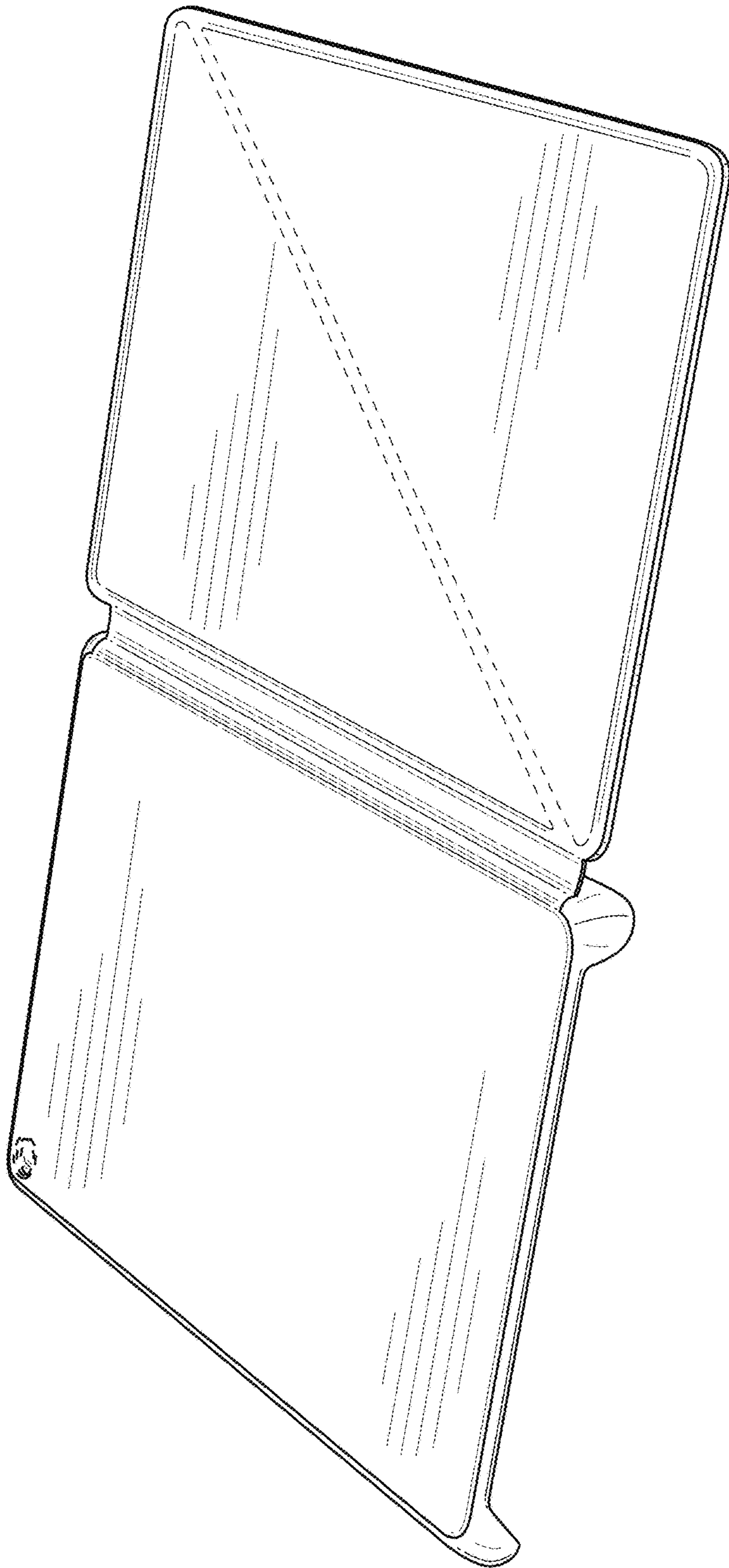


FIG. 29

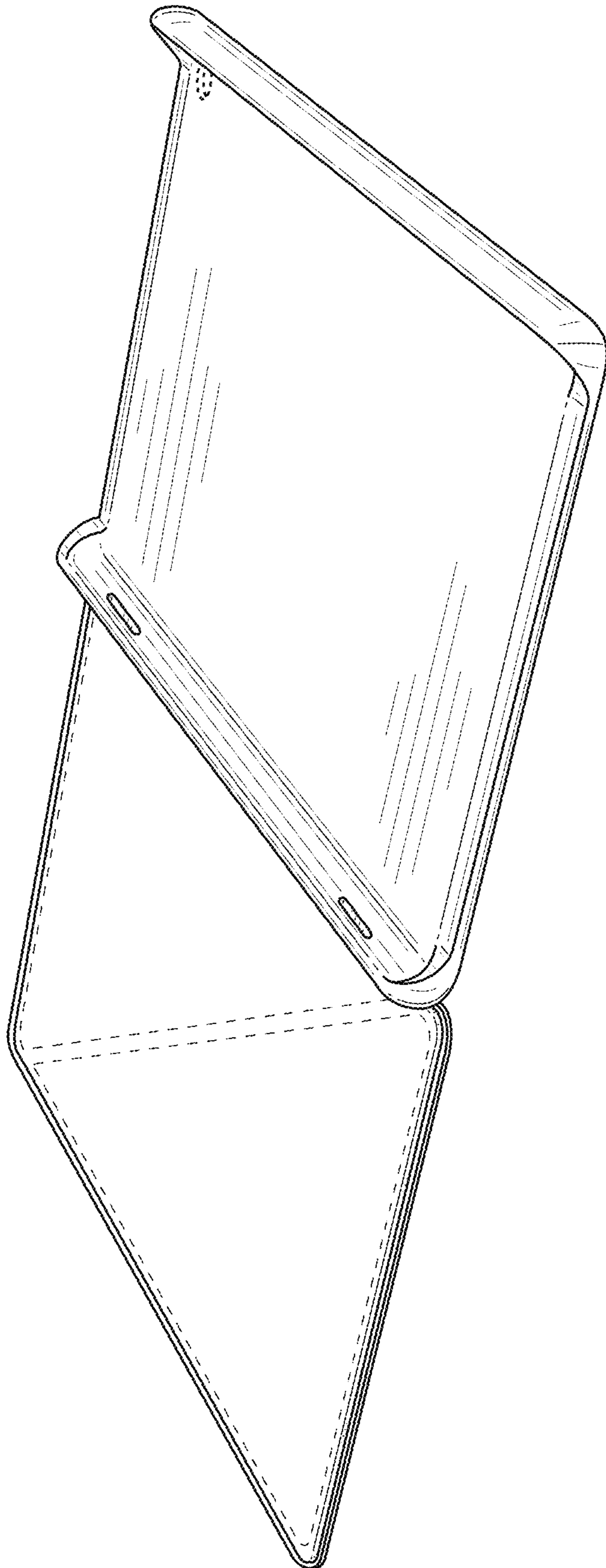


FIG. 30

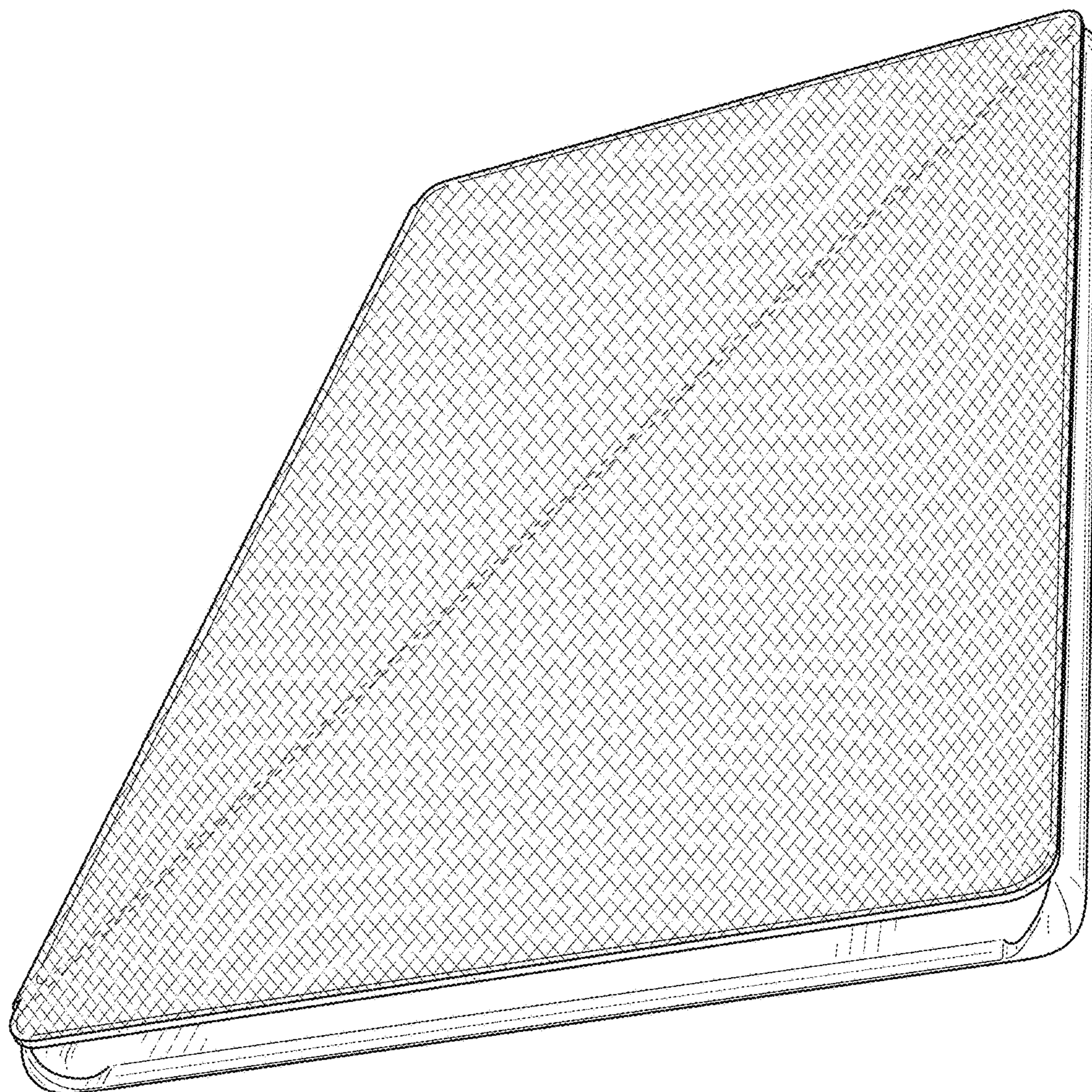


FIG. 31

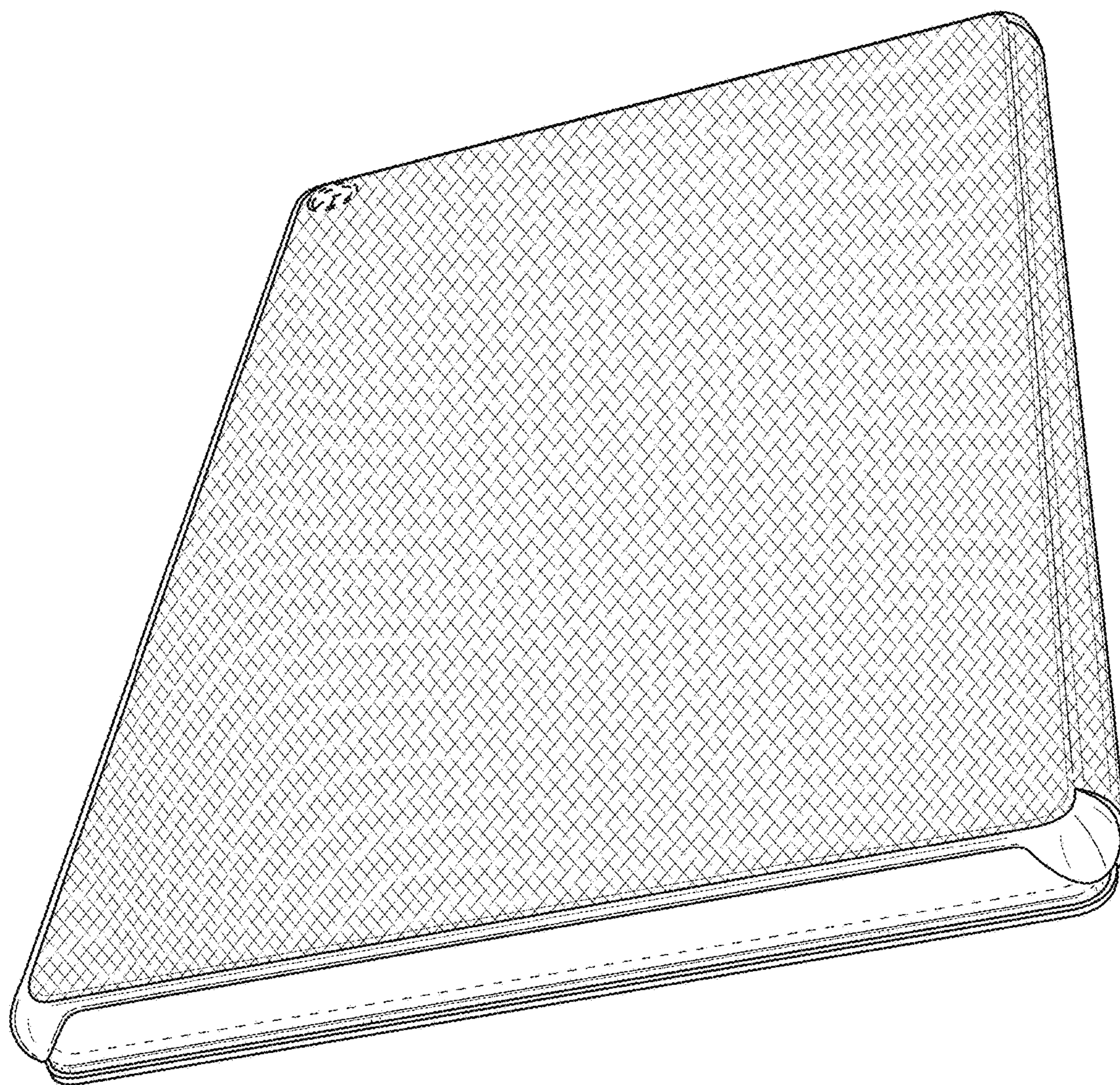


FIG. 32

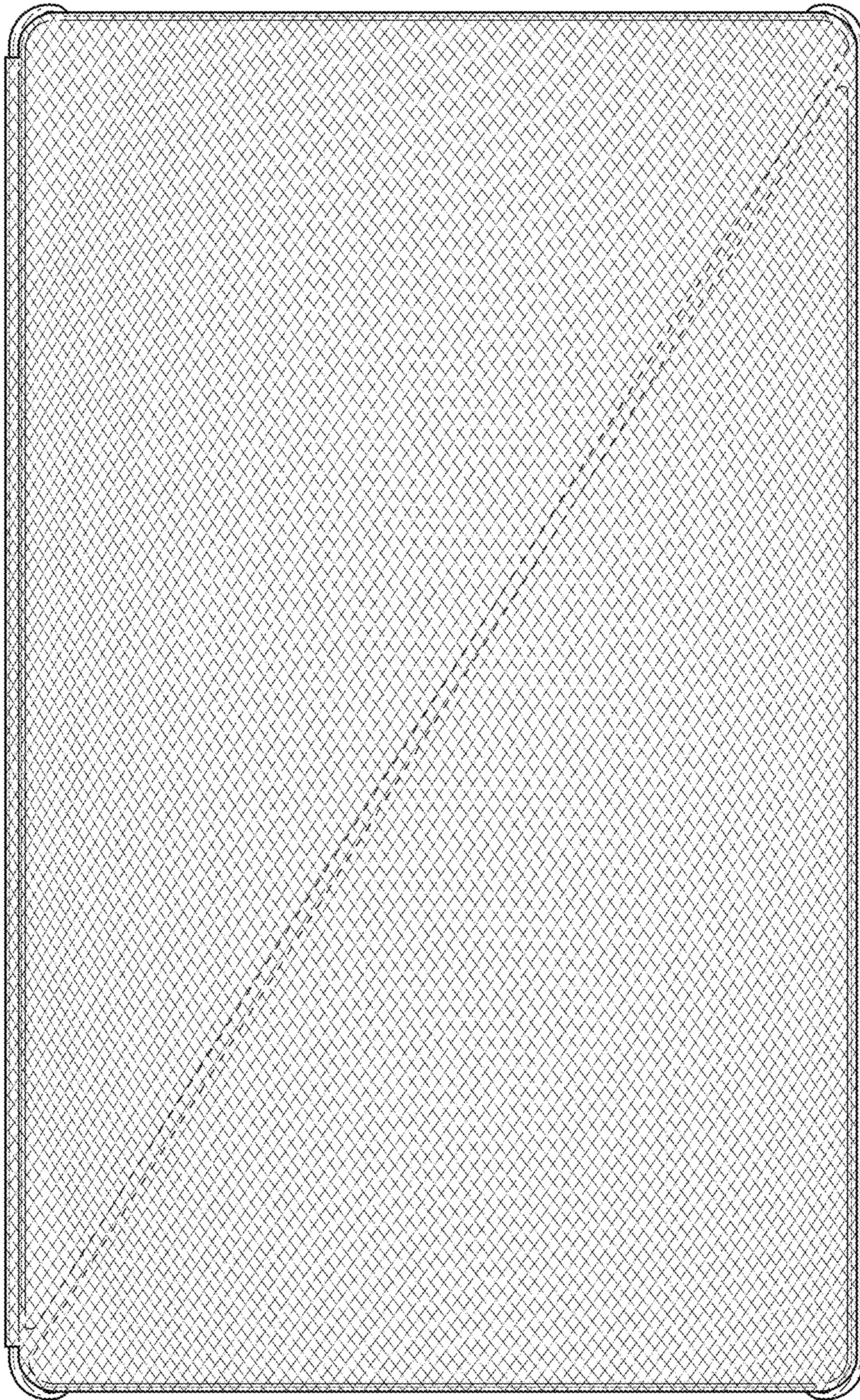


FIG. 33

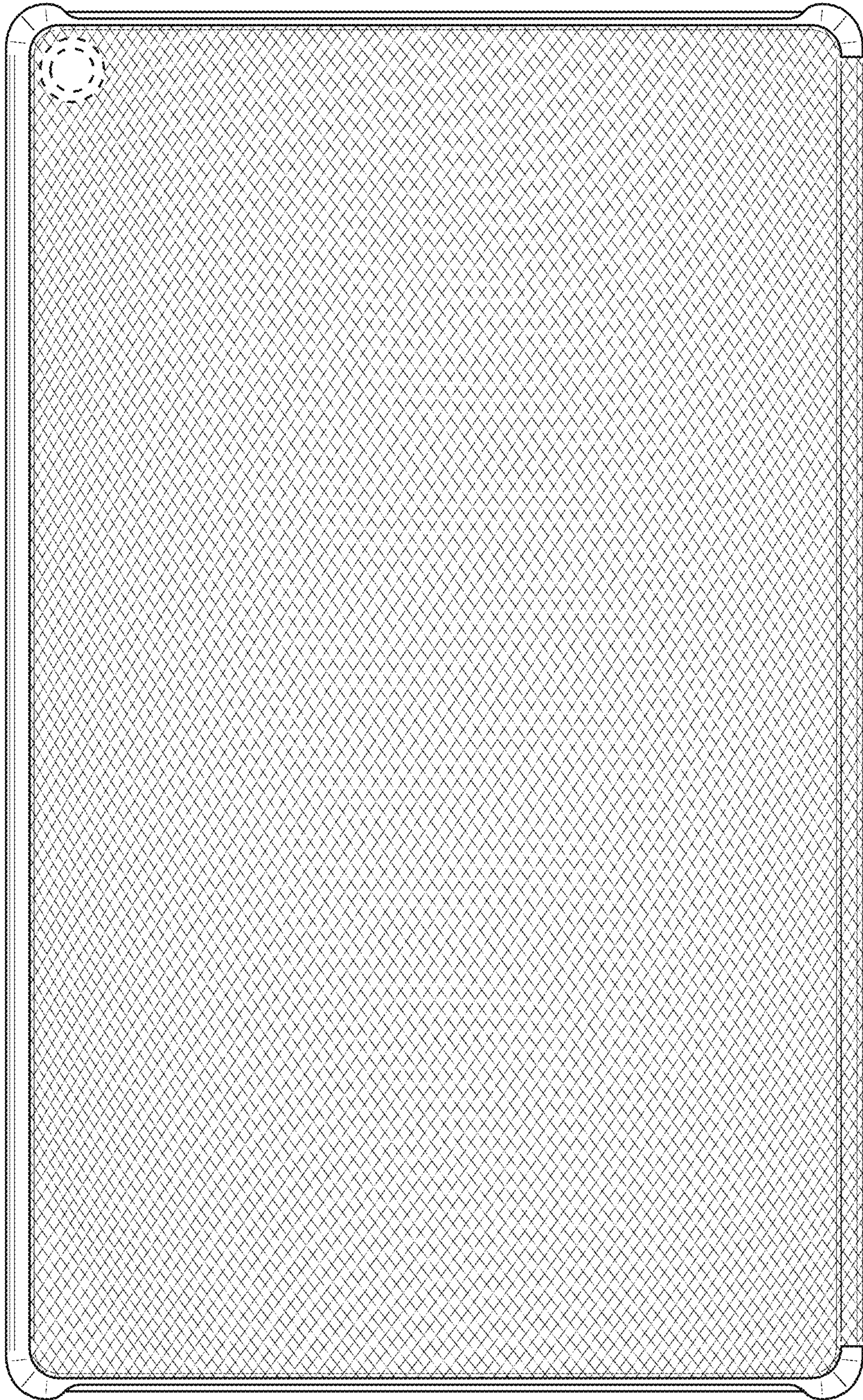


FIG. 34

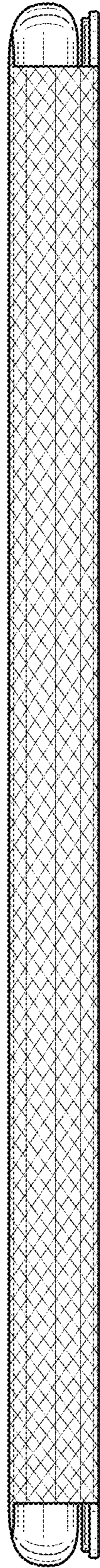


FIG. 35

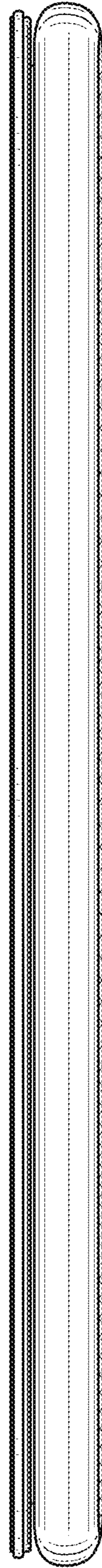


FIG. 36



FIG. 37

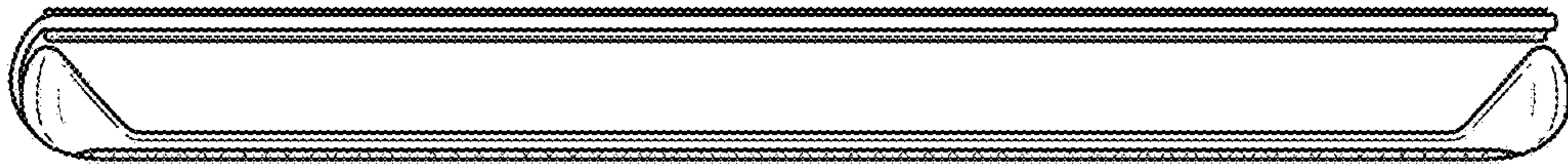


FIG. 38

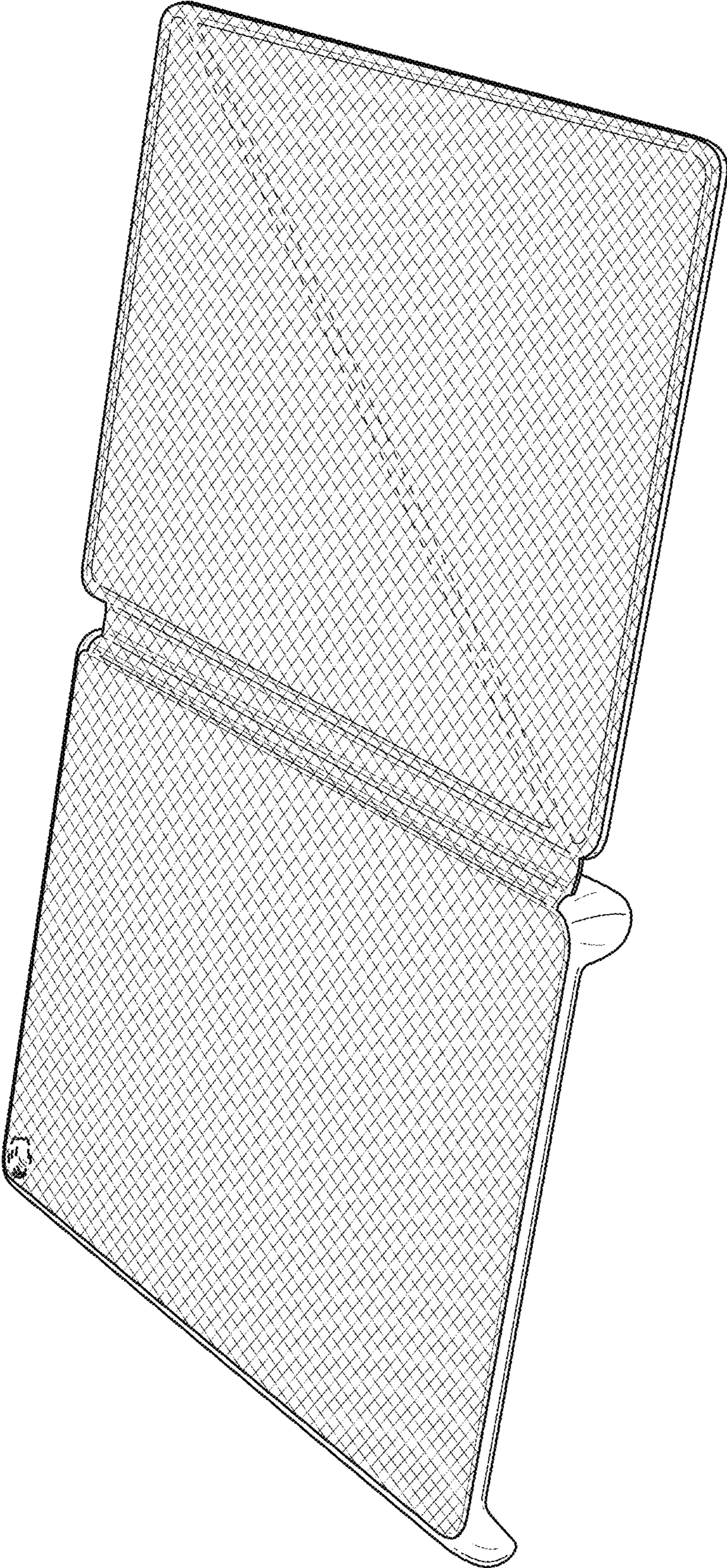


FIG. 39

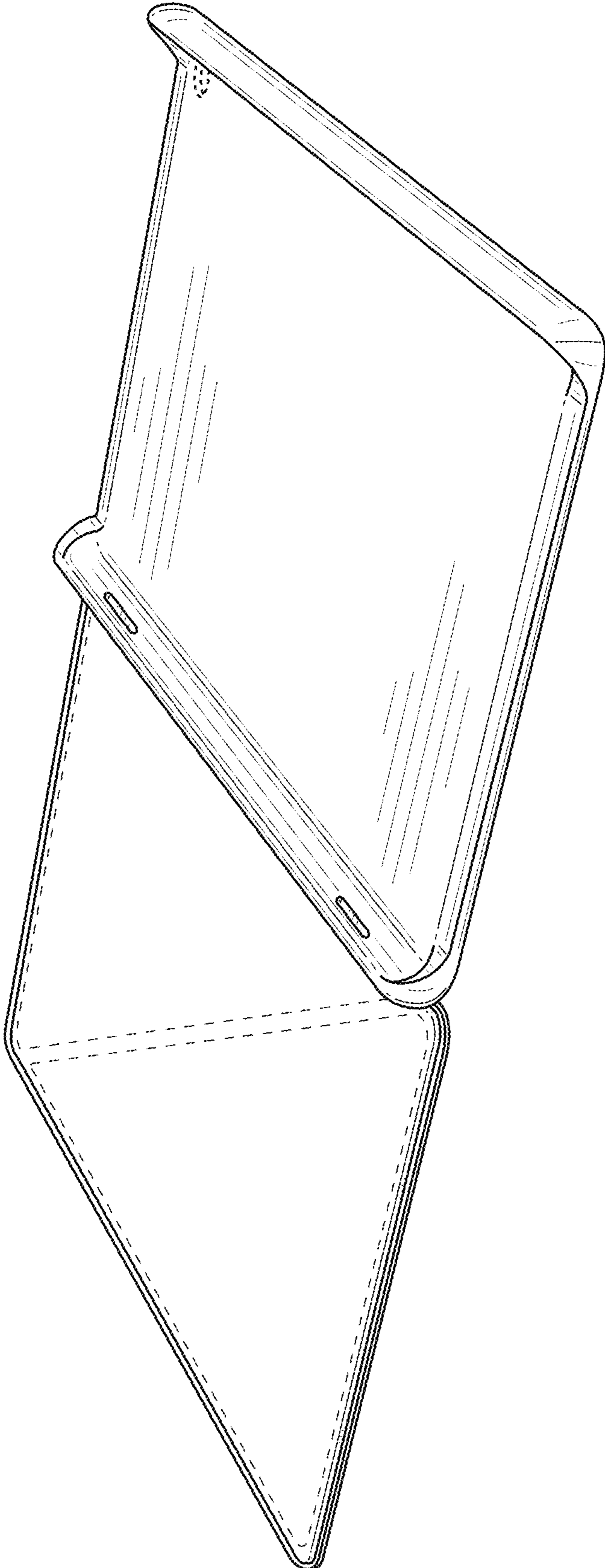


FIG. 40