



US00D832850S

(12) **United States Design Patent** (10) **Patent No.:** **US D832,850 S**  
**Oh** (45) **Date of Patent:** **\*\* Nov. 6, 2018**

(54) **DISPLAY MODULE**

(71) Applicant: **SAMSUNG DISPLAY CO., LTD.,**  
Yongin-si, Gyeonggi-do (KR)

(72) Inventor: **Hwa Jin Oh**, Seoul (KR)

(73) Assignee: **Samsung Display Co., Ltd.**, Yongin-si  
(KR)

(\*\*) Term: **15 Years**

(21) Appl. No.: **29/619,564**

(22) Filed: **Sep. 29, 2017**

(30) **Foreign Application Priority Data**

Mar. 31, 2017 (KR) ..... 30-2017-0015027

(51) **LOC (11) Cl.** ..... **14-02**

(52) **U.S. Cl.**  
USPC ..... **D14/439**

(58) **Field of Classification Search**

USPC ..... D14/341-347, 424, 425, 432-453, 464,  
D14/468, 469, 471, 496, 511, 138 AA,  
D14/138 AD, 138 C, 138 G, 203.1-203.8,  
D14/217, 238.1, 248, 250, 257, 299;  
361/679.01, 679.02, 679.03, 679.3,  
361/679.55, 679.56; 455/550.1, 556.1,  
455/556.2, 575.1, 575.3-575.5, 575.8,  
455/90.3

CPC .... H04M 1/0277; H04M 1/0202; H04M 1/02;  
H04B 1/3838

See application file for complete search history.

(56) **References Cited**

**U.S. PATENT DOCUMENTS**

D666,202 S \* 8/2012 Dinh ..... D14/439  
D677,664 S \* 3/2013 Akana ..... D14/439

D677,666 S \* 3/2013 Akana ..... D14/439  
D679,511 S \* 4/2013 Hoff et al.  
D697,918 S \* 1/2014 Akana ..... D14/439  
D714,294 S \* 9/2014 Dinh ..... D14/439  
D730,361 S \* 5/2015 Akana ..... D14/439  
D732,539 S \* 6/2015 Akana ..... D14/439  
D732,540 S \* 6/2015 Kang ..... D14/439  
D747,319 S \* 1/2016 Lee ..... D14/439  
D747,723 S \* 1/2016 Kim ..... D14/439  
D749,590 S \* 2/2016 Dinh ..... D14/439  
D768,637 S \* 10/2016 Akana ..... D14/439  
D791,139 S \* 7/2017 Akana ..... D14/439

\* cited by examiner

*Primary Examiner* — Austin Murphy

(74) *Attorney, Agent, or Firm* — Lewis Roca Rothgerber  
Christie LLP

(57) **CLAIM**

The ornamental design for a display module, as shown and  
described.

**DESCRIPTION**

FIG. 1 is a front-top perspective view of a display module;  
FIG. 2 is a front view of the display module;  
FIG. 3 is a rear view of the display module;  
FIG. 4 is a left-side view of the display module;  
FIG. 5 is a right-side view of the display module;  
FIG. 6 is a top view of the display module;  
FIG. 7 is a bottom view of the display module;  
FIG. 8 is a rear-top perspective view of the display module;  
FIG. 9 is a cross-sectional view of the display module taken  
along the line A-A' of FIG. 2;  
FIG. 10 is a front-top perspective view of the display module  
with the color omitted to better show the curvature of the  
display module; and,  
FIG. 11 is a front view of the display module of FIG. 10.  
The broken lines illustrate environmental structure that  
forms no part of the claimed design.

**1 Claim, 9 Drawing Sheets**

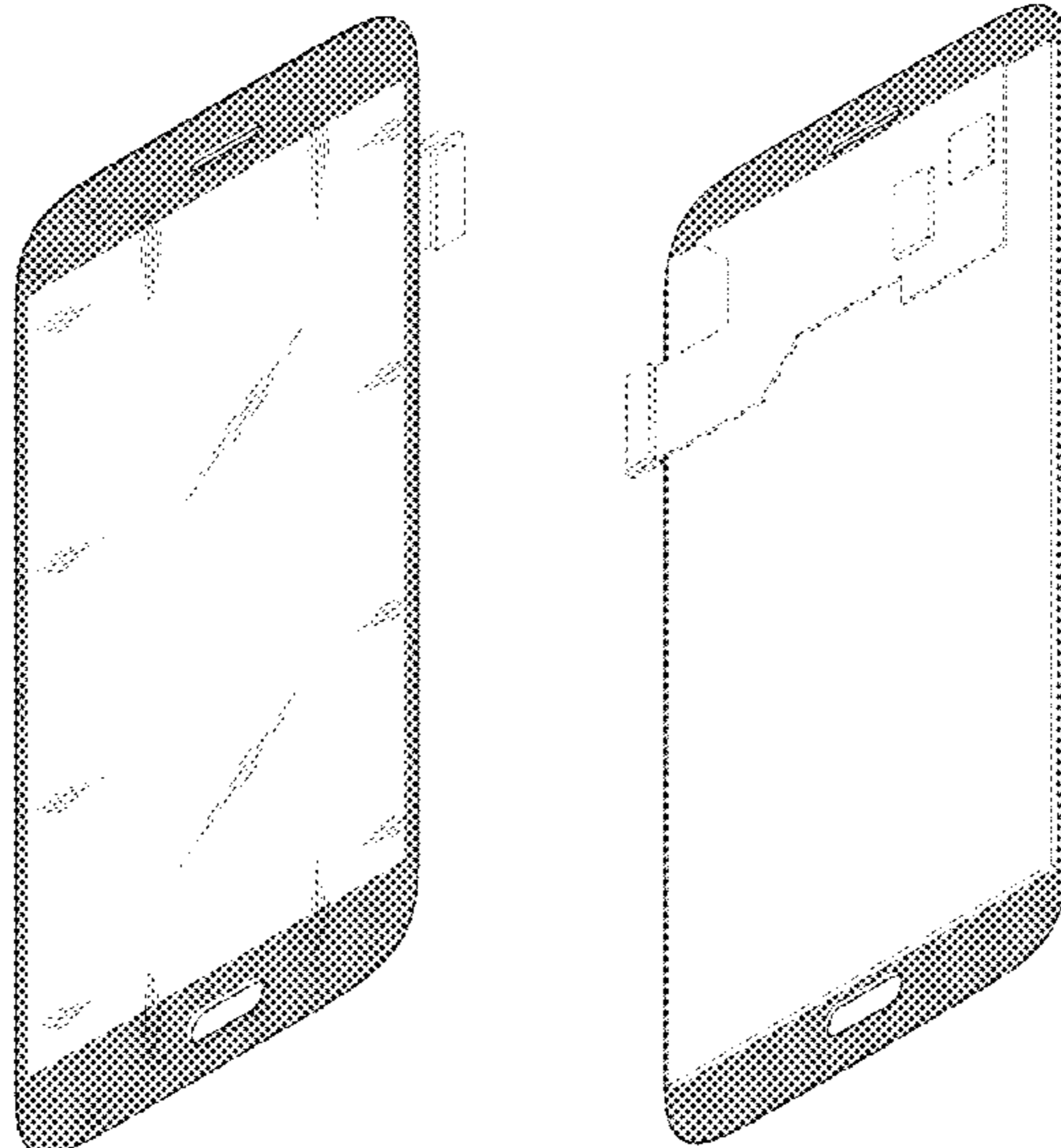


FIG. 1

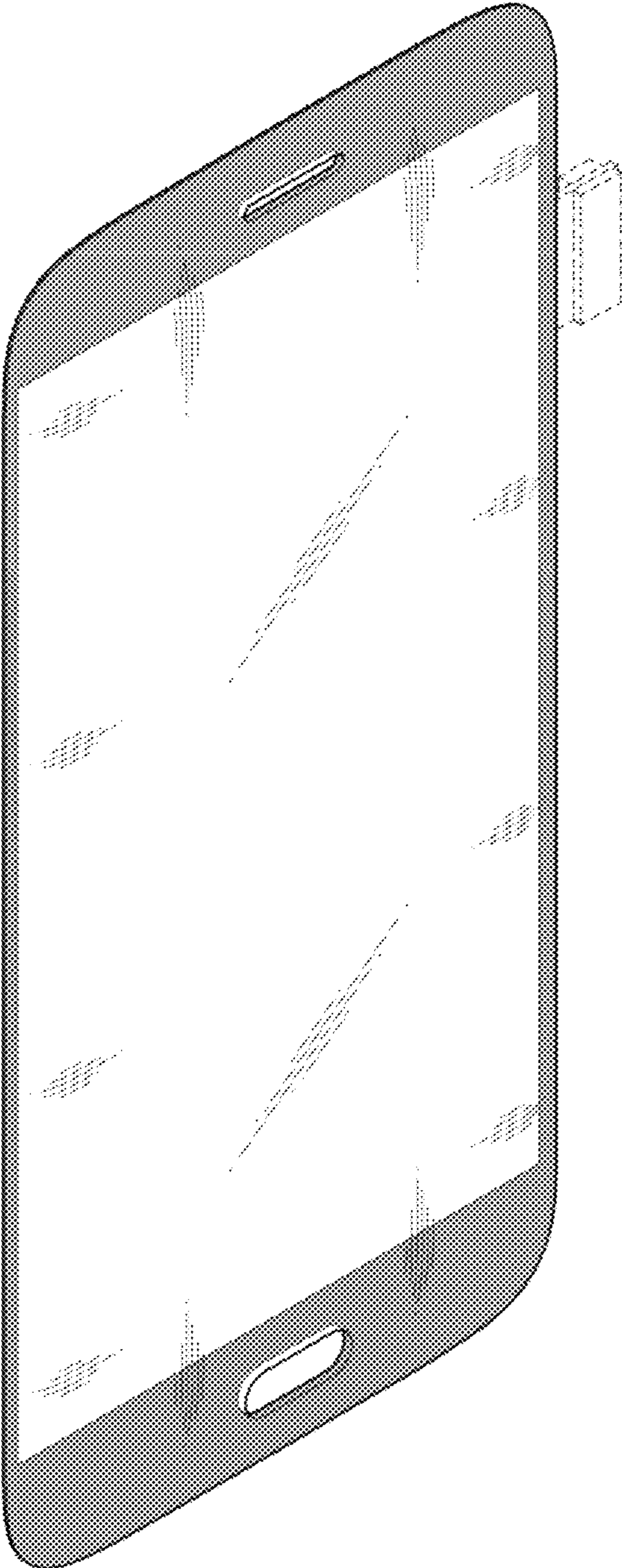


FIG. 2

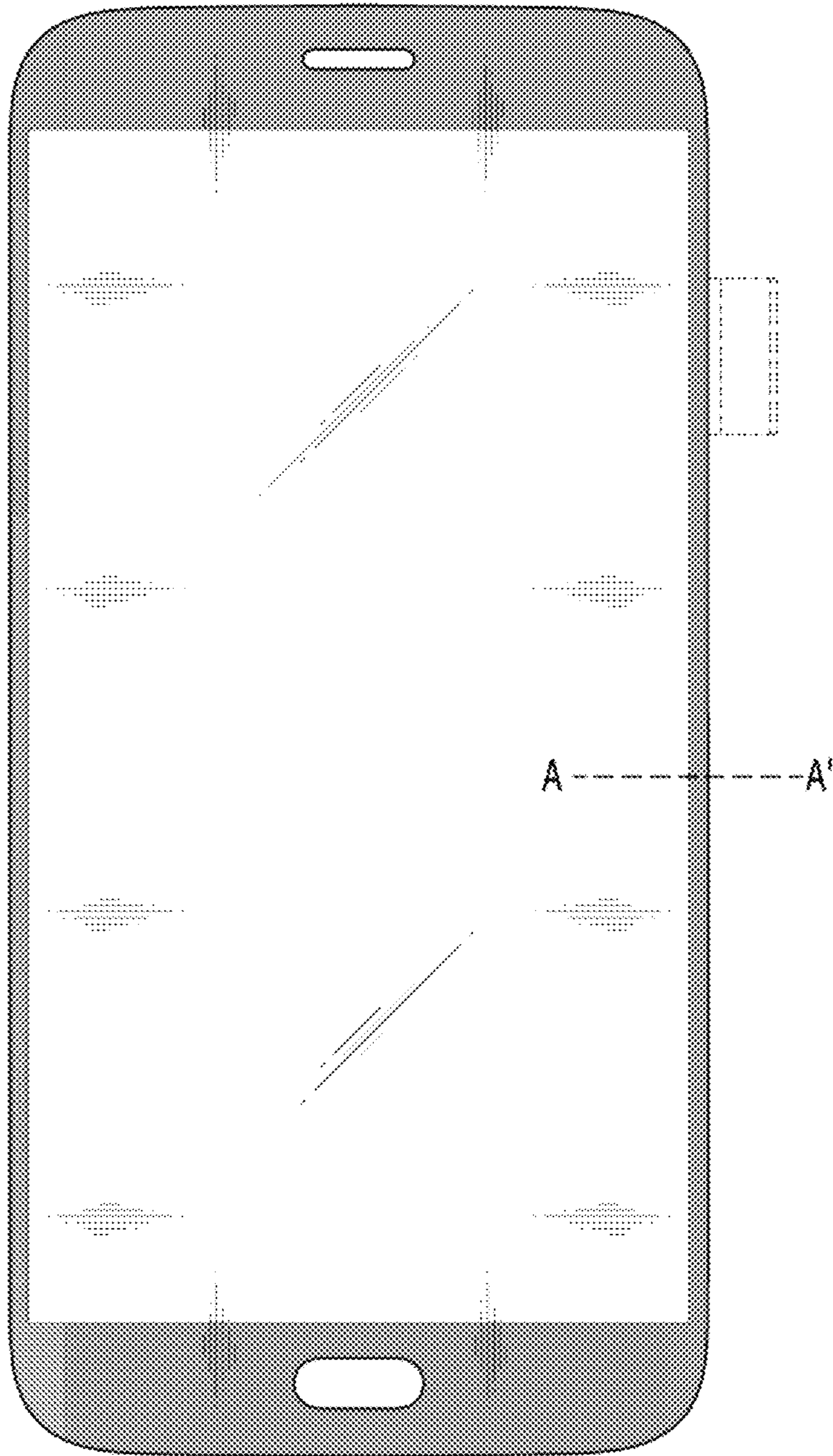


FIG. 3

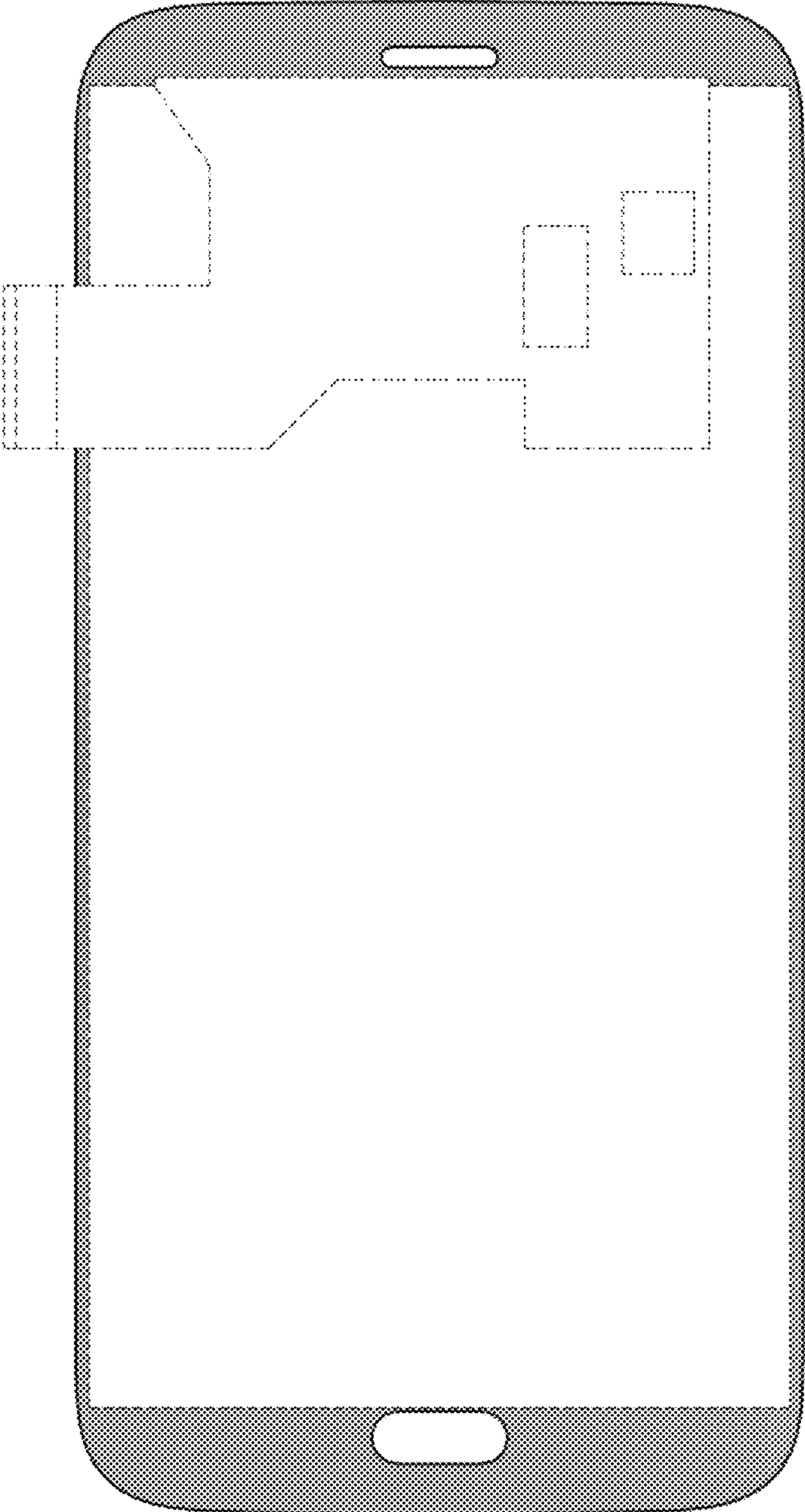


FIG. 4

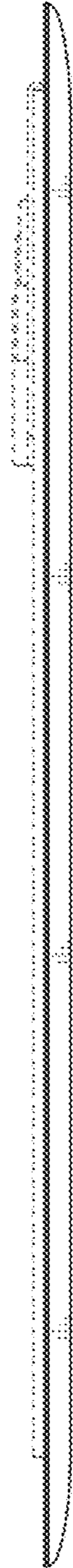


FIG. 5

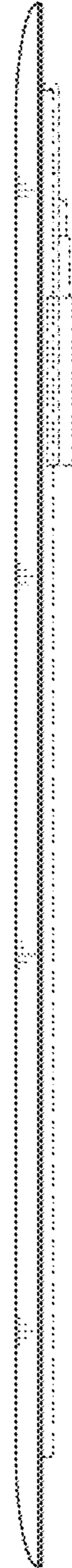


FIG. 6

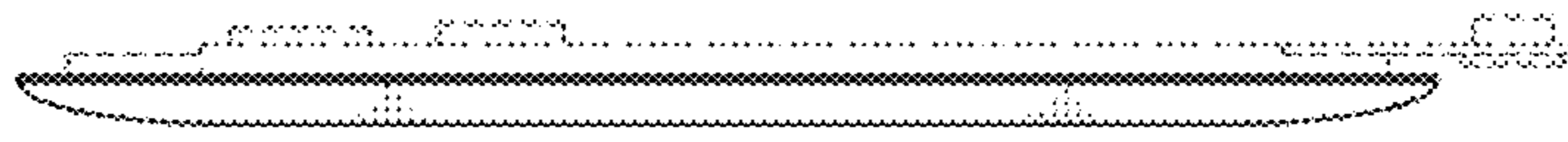


FIG. 7

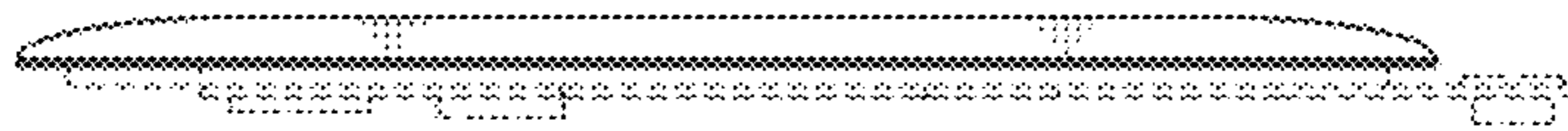


FIG. 8

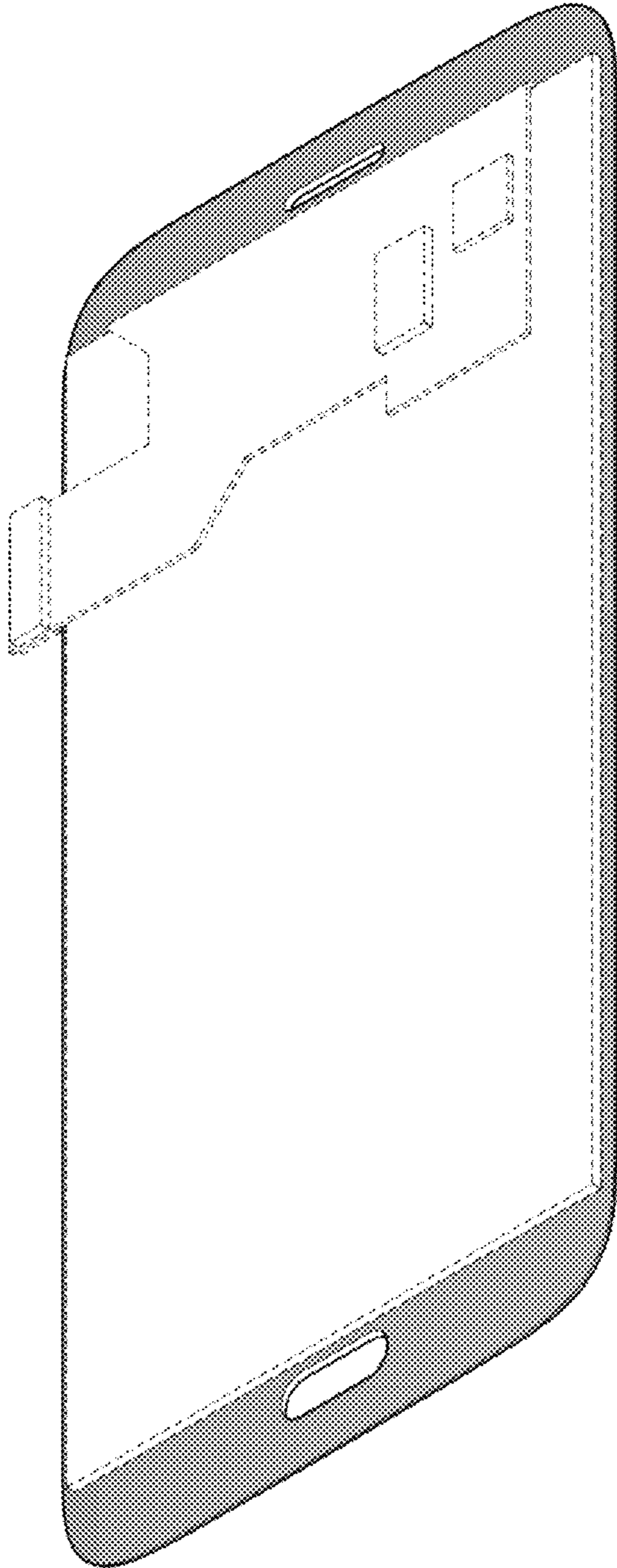


FIG. 9

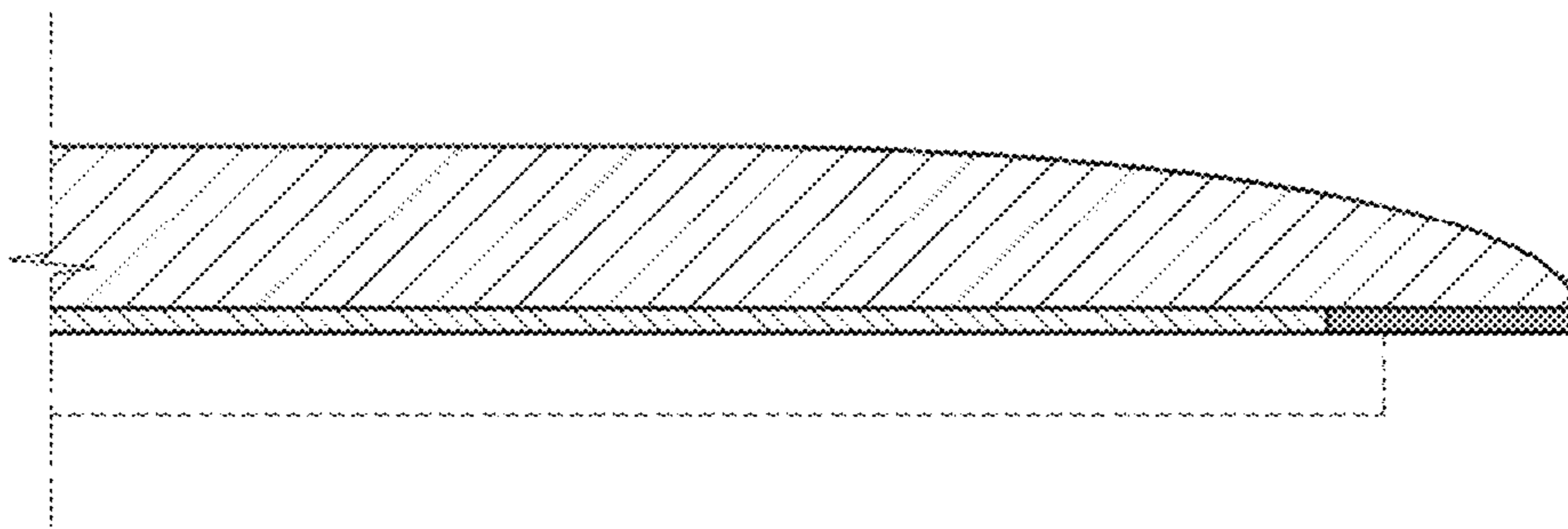




FIG. 10

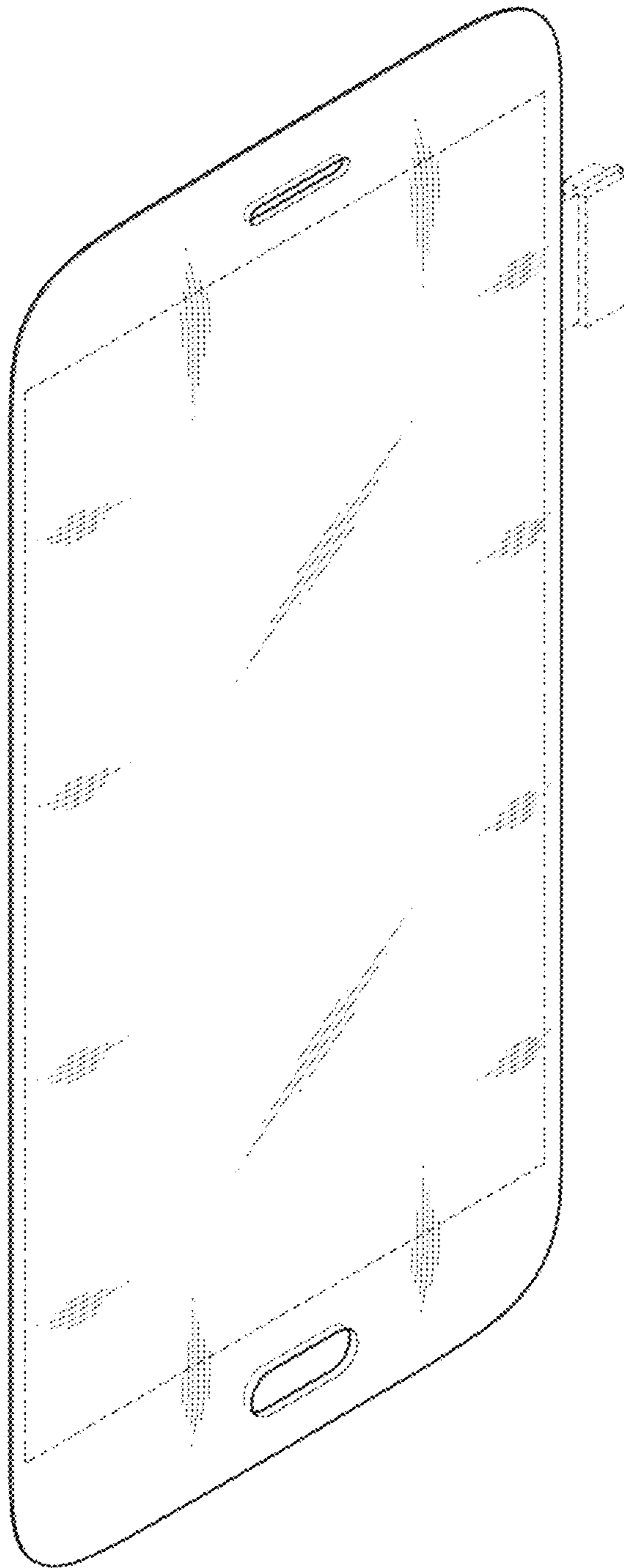


FIG. 11

