



US00D832849S

(12) **United States Design Patent** (10) **Patent No.:** **US D832,849 S**
Kim et al. (45) **Date of Patent:** **** Nov. 6, 2018**

(54) **CABLE FOR ELECTRONIC DEVICE**
(71) Applicant: **Samsung Electronics Co., Ltd.**,
Suwon-si (KR)
(72) Inventors: **Dalwon Kim**, Suwon-si (KR);
Seung-Tae Ryu, Seoul (KR);
Young-Sik Bae, Gimpo-si (KR);
Bong-Kyu Song, Seoul (KR); **Il-Woo**
Lee, Seoul (KR)

D743,965 S * 11/2015 Laffon de Mazieres D13/154
D746,291 S * 12/2015 Solomon D14/433
D760,720 S * 7/2016 Laffon de Mazieres D14/433
D761,262 S * 7/2016 Solomon D14/433
D779,492 S * 2/2017 Lin D14/433
D784,340 S * 4/2017 Laffon de Mazieres D14/433
9,636,959 B1 * 5/2017 Ihde H01R 13/5845
D790,069 S * 6/2017 Wong D24/187
D795,816 S * 8/2017 He D13/153

(Continued)

FOREIGN PATENT DOCUMENTS

(73) Assignee: **Samsung Electronics Co., Ltd.**,
Suwon-si (KR)

CN 201430285880.2 1/2015
DE 402013100265-0003 5/2013

(Continued)

(**) Term: **15 Years**

Primary Examiner — Austin Murphy

(21) Appl. No.: **29/617,332**

(74) *Attorney, Agent, or Firm* — NSIP Law

(22) Filed: **Sep. 13, 2017**

(30) **Foreign Application Priority Data**

(57) **CLAIM**

Mar. 17, 2017 (WO) DM/095373

We claim the ornamental design for a cable for electronic device, as shown and described.

(51) **LOC (11) Cl.** **14-02**

(52) **U.S. Cl.**
USPC **D14/433**

(58) **Field of Classification Search**
USPC D14/240, 242, 356, 358, 363, 365, 367,
D14/370, 432-437, 439, 498, 125, 366,
D14/168, 496; D13/147, 164, 123, 133,
D13/146, 110, 199, 103, 162, 159, 160,
D13/184; 361/683, 684, 686, 724, 735,
361/737, 752; D18/40
CPC H01R 25/006; H01R 27/02; H01R 31/005;
G06F 13/4022; G06F 13/382; G06F
1/1632; G06F 1/1684; G06F 1/20; G06F
1/1607

See application file for complete search history.

DESCRIPTION

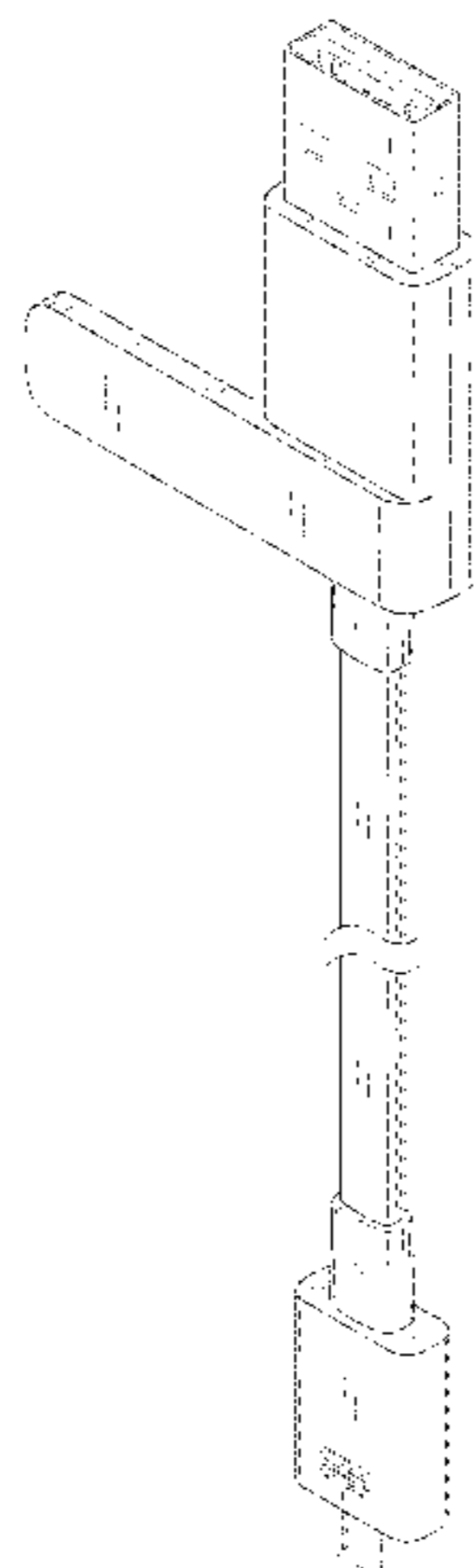
FIG. 1 is a front perspective view of a cable for electronic device showing our new design;
FIG. 2 is a front elevational view thereof;
FIG. 3 is a rear elevational view thereof;
FIG. 4 is a left-side elevational view thereof;
FIG. 5 is a right-side elevational view thereof;
FIG. 6 is a top plan view thereof;
FIG. 7 is a bottom plan view thereof; and,
FIG. 8 is a rear perspective view thereof.
The broken lines in the figures depict environmental subject matter and form no part of the claimed design. The dot-dash-dot curved lines and pairs of closely spaced dot-dash-dot curved lines in the figures represent indeterminate length and form no part of the claimed design.

(56) **References Cited**

U.S. PATENT DOCUMENTS

D516,030 S * 2/2006 Han D13/147
D733,142 S * 6/2015 Solomon D14/433

1 Claim, 8 Drawing Sheets



(56)

References Cited

U.S. PATENT DOCUMENTS

D800,731 S * 10/2017 He D14/433
D810,748 S * 2/2018 Zhang D14/433
D810,749 S * 2/2018 Zhang D14/433
D813,873 S * 3/2018 Pathak D14/433
9,935,408 B1 * 4/2018 Pathak H01R 31/065

FOREIGN PATENT DOCUMENTS

EM 002070508-0008 9/2012
KR 30-2014-0050224 7/2015

* cited by examiner

FIG. 1

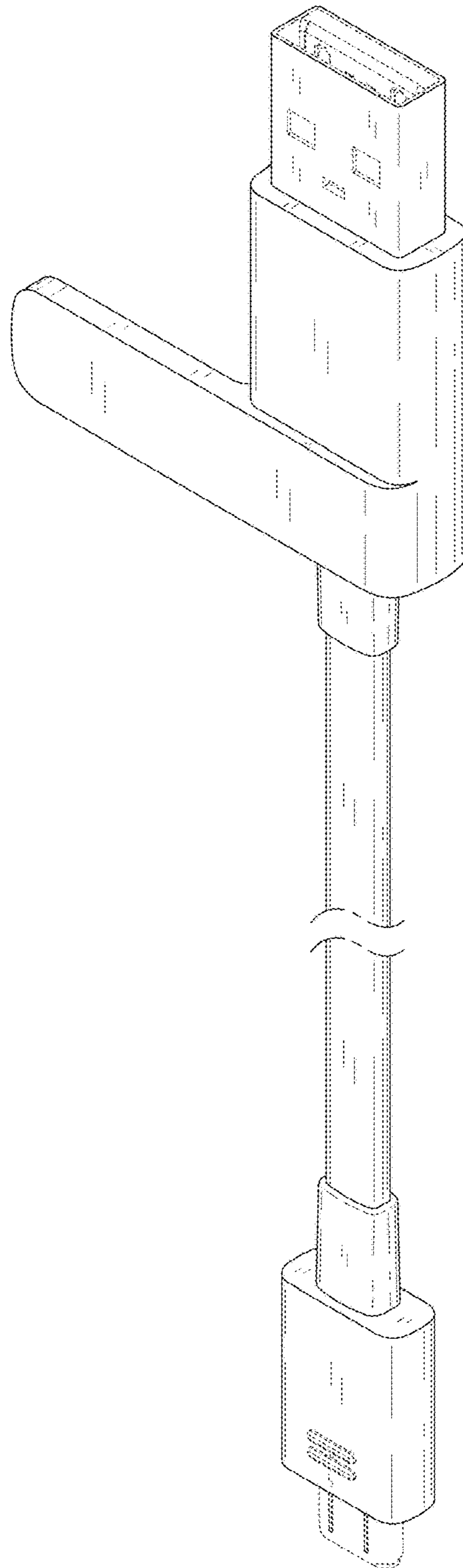


FIG. 2

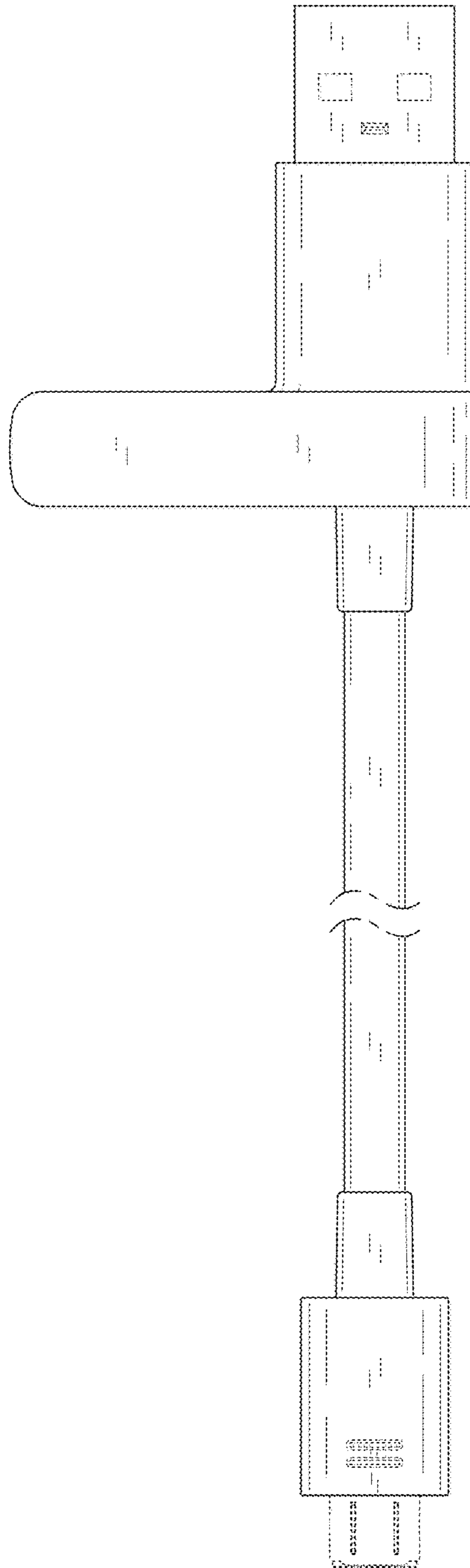


FIG. 3

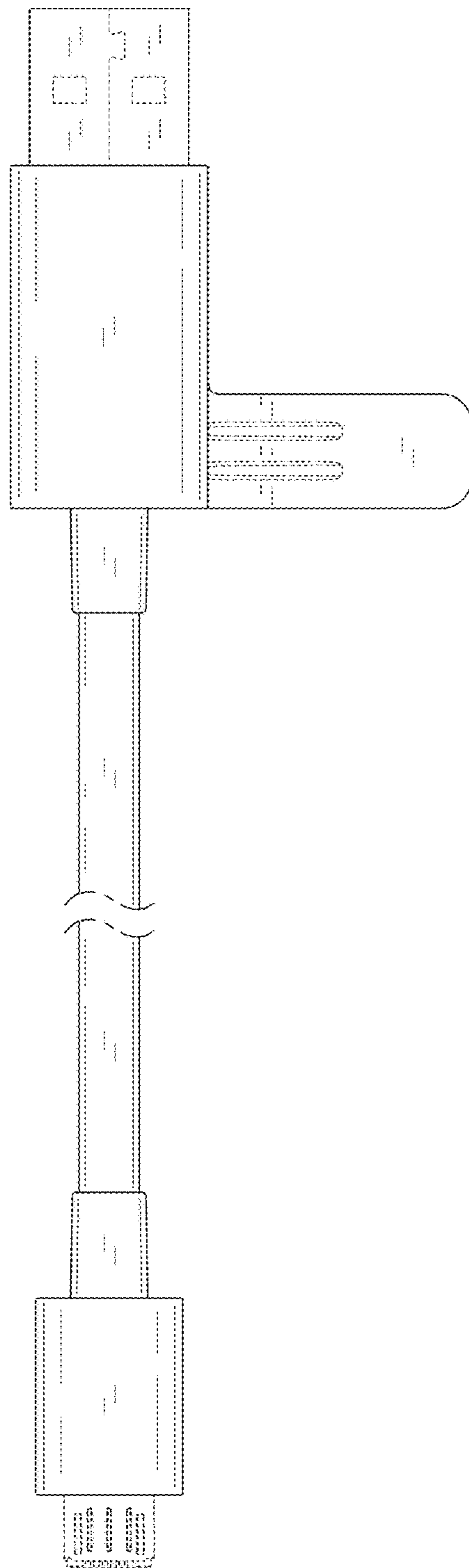


FIG. 4

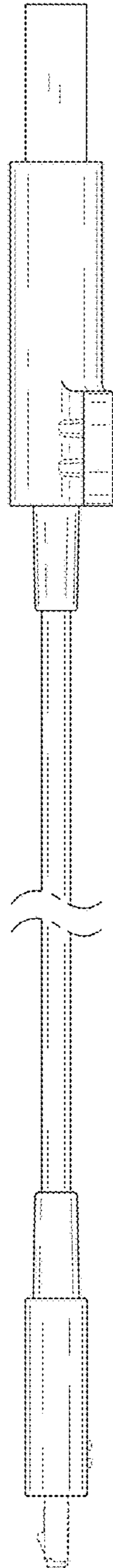


FIG. 5

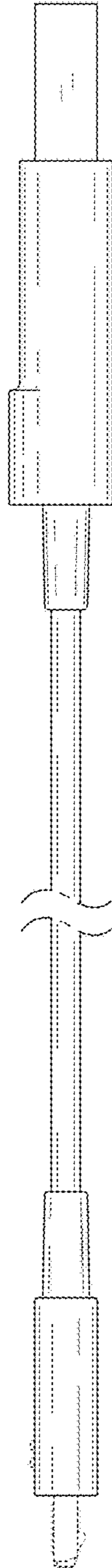


FIG. 6

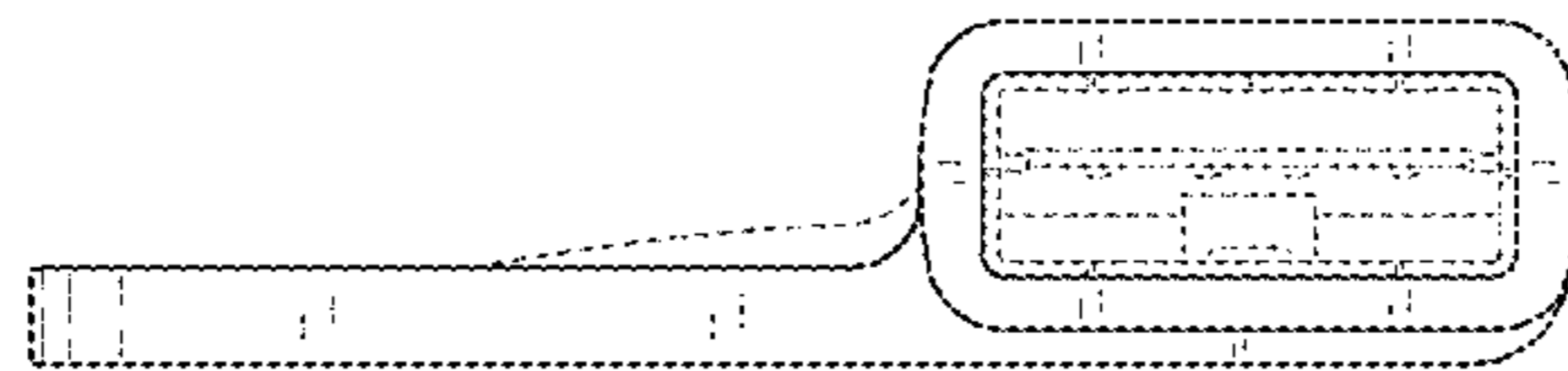


FIG. 7

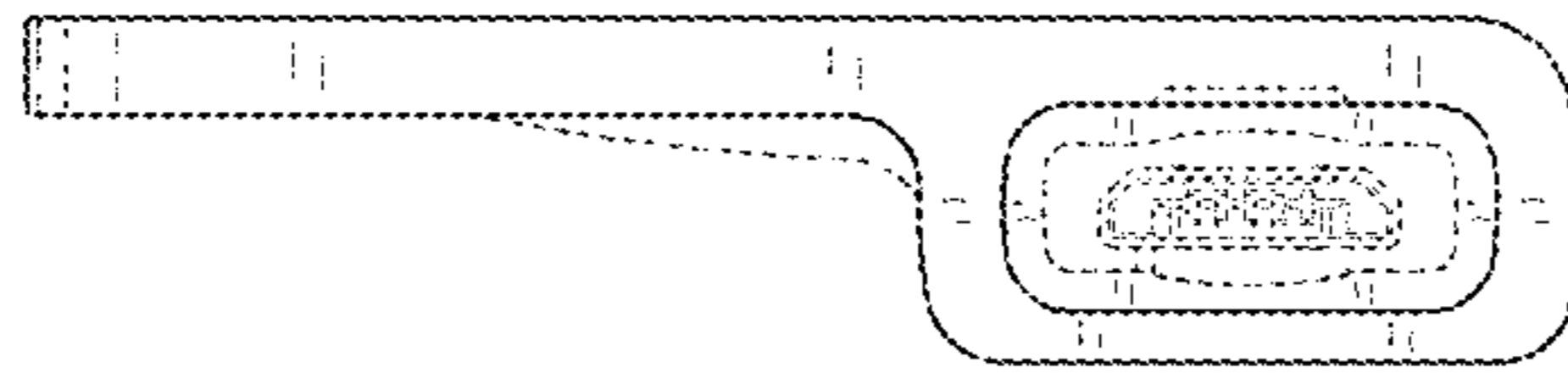


FIG. 8

