



US00D832847S

(12) **United States Design Patent**
Wadsworth et al.

(10) **Patent No.:** **US D832,847 S**

(45) **Date of Patent:** **** Nov. 6, 2018**

- (54) **OVERLAY**
- (71) Applicant: **Belkin International, Inc.**, Playa Vista, CA (US)
- (72) Inventors: **John F. Wadsworth**, Burbank, CA (US); **David A. Kleeman**, Marina del Rey, CA (US); **Yuhua Lin**, Changzhou (CN)
- (73) Assignee: **BELKIN INTERNATIONAL, INC.**, Playa Vista, CA (US)
- (**) Term: **15 Years**
- (21) Appl. No.: **29/616,508**
- (22) Filed: **Sep. 6, 2017**

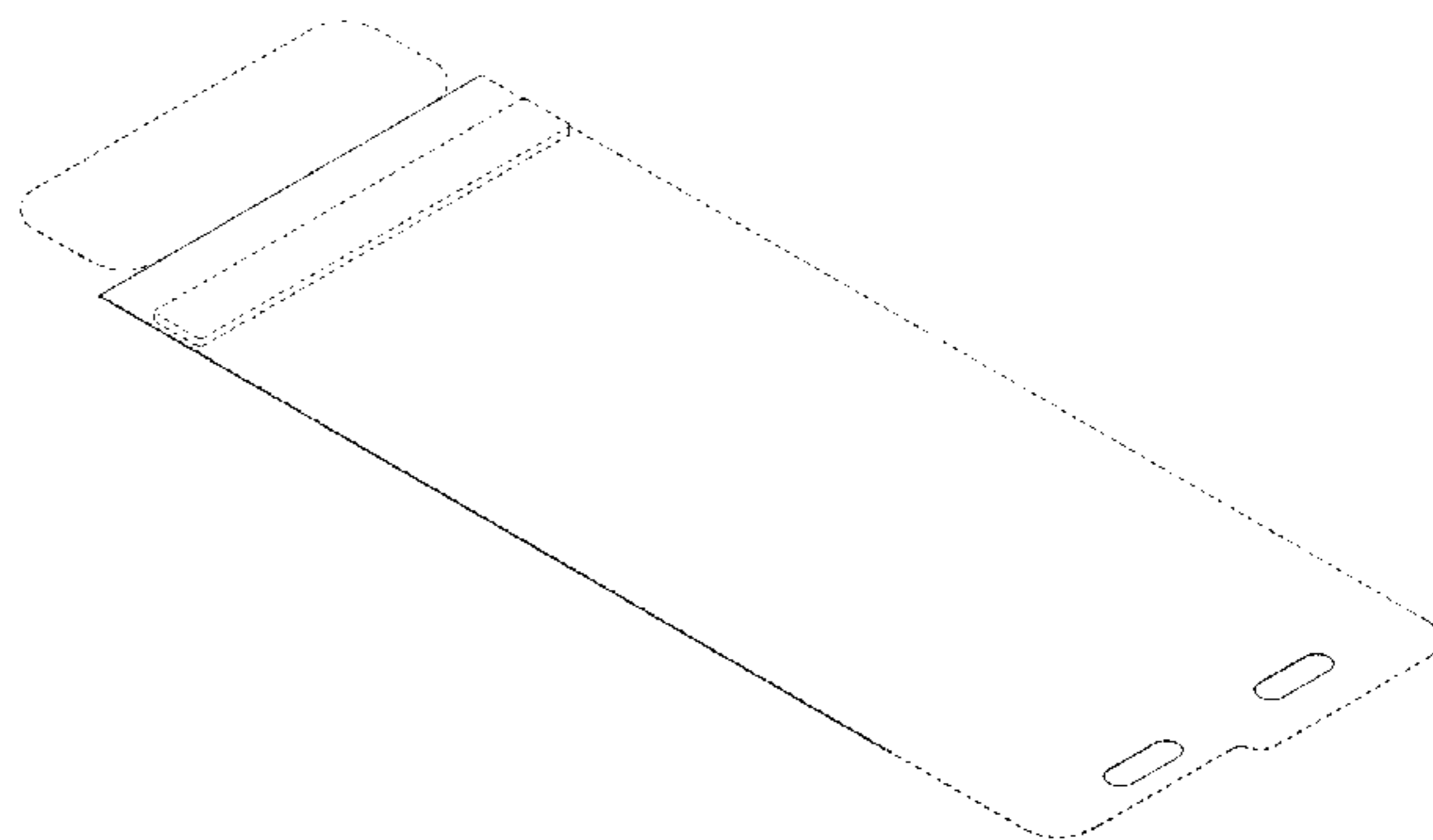
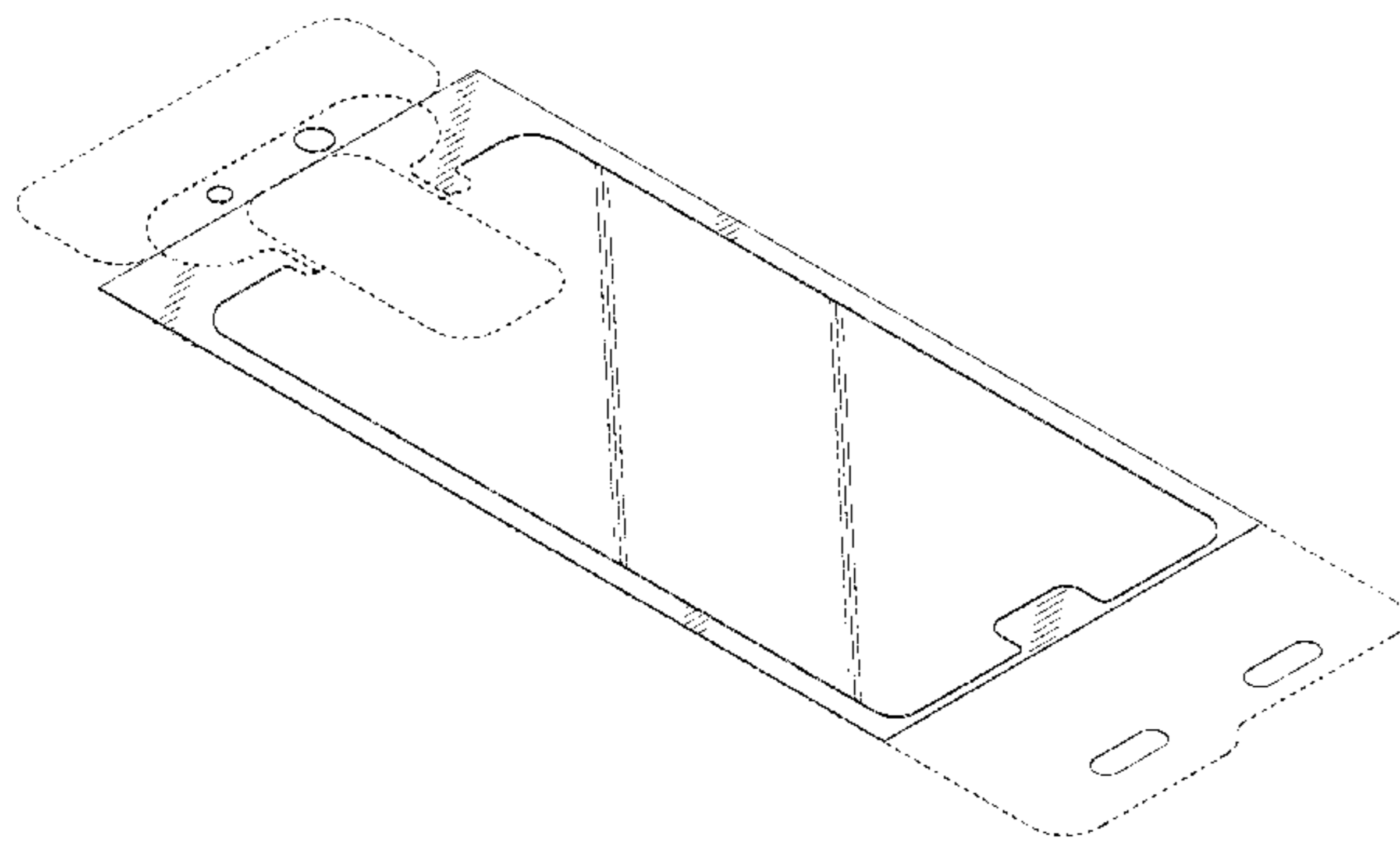
Related U.S. Application Data

- (62) Division of application No. 29/566,337, filed on May 27, 2016, now Pat. No. Des. 800,126.
- (51) **LOC (11) Cl.** **14-02**
- (52) **U.S. Cl.**
USPC **D14/432**
- (58) **Field of Classification Search**
USPC D14/316-319, 432-439, 442, 451-454, D14/496, 495, 391, 385, 367, 356; D8/331, 330; D18/50, 4.6, 4.5; 439/630, 439/635, 639, 160; 360/2; 235/492, 486, 235/479, 380
CPC G06F 1/1643; G06F 1/169; H04B 1/3888
See application file for complete search history.

D578,164 S	10/2008	Ingle
D598,024 S	8/2009	Scott et al.
D601,959 S	10/2009	Lee
D601,960 S	10/2009	Dai
7,697,827 B2	4/2010	Konicek
D627,826 S	11/2010	Halimi
7,957,524 B2	6/2011	Chipping
7,966,861 B2	6/2011	Yee et al.
D641,210 S	7/2011	Hamilton
8,044,942 B1	10/2011	Leonhard et al.
8,047,365 B1	11/2011	Lin
D651,214 S	12/2011	Yoo et al.
D651,791 S	1/2012	Cataldo et al.
D658,164 S	4/2012	Chan
D665,809 S	8/2012	Wang et al.
8,369,072 B1	2/2013	Alonzo et al.
8,393,377 B2	3/2013	Patel et al.
D679,753 S	4/2013	Sato et al.
D680,166 S	4/2013	Sato et al.
8,517,367 B1	8/2013	Napier
D690,704 S	10/2013	Padilla et al.
8,564,538 B2	10/2013	Wadsworth
D694,240 S	11/2013	Cho
8,640,759 B2	2/2014	Chen
8,675,353 B1	3/2014	Alonzo et al.
D707,217 S	6/2014	Toulotte
D710,843 S	8/2014	Akana
D713,397 S	9/2014	Du et al.
D714,053 S	9/2014	Yoo
8,821,659 B2	9/2014	Ng et al.
D715,301 S	10/2014	Ashcraft et al.
D715,784 S	10/2014	Lin et al.
D720,353 S	12/2014	Nakamura
D721,359 S	1/2015	Kim
8,931,770 B1	1/2015	Kaminski
9,001,502 B1	4/2015	Cowan
9,010,396 B2	4/2015	Patel et al.
D729,235 S	5/2015	Nagao et al.
D734,311 S	7/2015	Takamoto et al.
9,089,085 B2	7/2015	Patel
9,159,260 B2	10/2015	Oh
D743,402 S	11/2015	Ehara et al.
D746,265 S	12/2015	Colby et al.
D747,320 S	1/2016	Snyder et al.
D751,556 S	3/2016	Conley et al.
D751,557 S	3/2016	Lane
D759,640 S	6/2016	Wadsworth
D767,550 S	9/2016	Beaupre et al.
D769,857 S	10/2016	Shin et al.
D772,199 S	11/2016	Igarashi
D773,927 S	12/2016	Cernokus et al.
D776,123 S	1/2017	Akana et al.
D777,714 S	1/2017	Akana et al.

(56) **References Cited**
U.S. PATENT DOCUMENTS

4,285,559 A	8/1981	Koch
D305,648 S	1/1990	Edington
4,895,231 A	1/1990	Yamaguchi et al.
5,069,732 A	12/1991	Levine
5,680,709 A	10/1997	Stone
5,805,251 A	9/1998	Ozawa
6,406,758 B1	6/2002	Bottari et al.
7,084,859 B1	8/2006	Pryor



US D832,847 S

D778,869 S	2/2017	Kim et al.	2015/0047773 A1*	2/2015	Wadsworth B29C 63/0047 156/182
D781,861 S	3/2017	Lane et al.			
D783,024 S	4/2017	Conley et al.	2015/0107767 A1*	4/2015	Wadsworth B29C 63/0004 156/324
9,662,860 B2	5/2017	Wadsworth			
9,688,016 B2	6/2017	Rostami	2015/0121691 A1	5/2015	Wang
9,701,062 B2	7/2017	Wadsworth et al.	2015/0136314 A1	5/2015	Napier
9,701,096 B2	7/2017	Beaupre	2015/0227226 A1	8/2015	Wierenga et al.
D800,126 S *	10/2017	Wadsworth D14/432	2015/0362736 A1	12/2015	Kowasie
D800,127 S *	10/2017	Beaupre D14/432	2016/0009024 A1	1/2016	Mason
D800,128 S *	10/2017	Beaupre D14/432	2016/0253039 A1*	9/2016	Heo G06F 3/0412 345/173
D800,129 S *	10/2017	Wadsworth D14/432			
D800,130 S *	10/2017	Beaupre D14/432	2017/0001364 A1	1/2017	MacDonald et al.
D800,131 S *	10/2017	Wadsworth D14/432			
D800,714 S *	10/2017	Lee D14/250			
D802,594 S *	11/2017	Beaupre D14/432			
FOREIGN PATENT DOCUMENTS					
2002/0054030 A1	5/2002	Murphy	CN	201456516	5/2010
2004/0109096 A1	6/2004	Anderson et al.	CN	201538078	8/2010
2004/0246386 A1	12/2004	Thomas et al.	CN	102632674	8/2012
2005/0030296 A1	2/2005	Stohrer et al.	CN	202623469	12/2012
2005/0164148 A1	7/2005	Sinclair	CN	202896928	4/2013
2007/0013662 A1	1/2007	Fauth	CN	202923909	5/2013
2007/0021068 A1	1/2007	Dewhurst	CN	202967060	6/2013
2007/0058990 A1	3/2007	Weaver et al.	CN	203077741	7/2013
2007/0115621 A1	5/2007	Guillen	EM	002466540002	6/2004
2007/0229962 A1	10/2007	Mason, Jr.	EM	0024866540001	6/2004
2007/0247793 A1	10/2007	Carnevali	EM	0024866540003	6/2004
2007/0293282 A1	12/2007	Lewis et al.	EM	0024866540004	6/2004
2009/0015509 A1	1/2009	Gottwald et al.	EM	0024866540005	6/2004
2009/0133219 A1	5/2009	Lowry et al.	EM	0024866540006	6/2004
2009/0186181 A1	7/2009	Mase	EM	0024866540007	6/2004
2009/0245565 A1*	10/2009	Mittleman H04M 1/035 381/365	EM	0024866540008	6/2004
2009/0314400 A1*	12/2009	Liu A45C 11/00 150/165	EM	0024866960001	6/2004
			EM	0024866960002	6/2004
			EM	0024866960003	6/2004
2010/0053926 A1	3/2010	Shi et al.	EM	0024866960004	6/2004
2010/0079972 A1	4/2010	Chen et al.	EM	0024866960005	6/2004
2010/0097757 A1	4/2010	Wang	EM	0024866960006	6/2004
2010/0309152 A1	12/2010	Kusuda et al.	EM	0024866960007	6/2004
2011/0188179 A1*	8/2011	Myers G06F 1/1626 361/679.01	EM	0024866960008	6/2004
			EM	0024866960009	6/2004
			EM	0024866960010	6/2004
			EM	0024866960011	6/2004
			EM	0024866960012	6/2004
			EM	0024866960013	6/2004
			EM	0024866960014	6/2004
			EM	0024866960015	6/2004
			EM	0024866960016	6/2004
			EM	0024867120001	6/2004
			EM	0024867120002	6/2004
			EM	0024867120003	6/2004
			EM	0024867120004	6/2004
			EM	0024867120005	6/2004
			EM	0024867120006	6/2004
			EM	0024867120007	6/2004
			EM	0024867120008	6/2004
			EM	0024867120009	6/2004
			EM	0024867120010	6/2004
			EM	0024867120011	6/2004
			EM	0024867120012	6/2004
			EM	0024867120013	6/2004
			EM	0024867120014	6/2004
			EM	0024867120015	6/2004
			EM	0024867120016	6/2004
			JP	10199422	7/1998
			JP	2002049327	2/2002
			JP	2002057764	2/2002
			JP	2003066419	3/2003
			JP	2006145918	6/2006
			JP	2006155452	6/2006
			JP	3124275	8/2006
			JP	3180690	12/2012
			KR	200454225	6/2011
			KR	101080018	11/2011
			KR	101135144	4/2012
			KR	101176316	8/2012
			KR	1020130043720	5/2013
			KR	300704457	8/2013
			KR	300704458	8/2013
			KR	300704459	8/2013

KR	300704460	8/2013
KR	1020130092713	8/2013
KR	1020130092804	8/2013
KR	300720375	12/2013
KR	300720376	12/2013
KR	101408663	6/2014
KR	1020140070046	6/2014
KR	1020140076245	6/2014
KR	101468710	12/2014
KR	200475419	12/2014
KR	200475420	12/2014
KR	1020140136596	12/2014
KR	1020140142904	12/2014
KR	1020140143262	12/2014
KR	1020150006910	1/2015
KR	200476916	4/2015
KR	1020150039292	4/2015
KR	2020150001663	5/2015
KR	300804459	7/2015
KR	1020160022665	3/2016
KR	1020160022755	3/2016
KR	1020160061078	5/2016
KR	1020160088067	7/2016
KR	1020160091491	8/2016
KR	2020170000128	1/2017
TW	1401223	7/2013
WO	2003093879	11/2003
WO	2004005141	1/2004
WO	2005058705	6/2005
WO	WO2011065796	6/2011
WO	2011163151	12/2011
WO	2012074802	6/2012
WO	2012141505	10/2012

OTHER PUBLICATIONS

Translation of KR-10-1135144, retrieved from the Internet on Jun. 9, 2017.

International Search Report and Written Opinion for PCT/US2014/050420 dated Nov. 19, 2014.

International Search Report and Written Opinion for PCT/US2014/060300 dated Jan. 27, 2015.

International Search Report and Written Opinion for PCT/US2014/071767 dated Apr. 24, 2015.

Amzer—Kristal Screen Protectors <http://www.amzer.com/kristal/>, Mar. 21, 2014.

MyScreenPROTECTOR—<https://www.myscreenprotector.com/?Ing=3&view=cms&txt=about-my-screen-protector>, Mar. 21, 2014.

PureGear—PureTek Roll-On Kit—<http://www.pure-gear.com/shop-by-category/screen/puretek-roll-on-kit-antibacterial-antiglare-anti-fingerprint.html>, Mar. 21, 2014.

TYLT ALIN Perfect Alignment Screen Protection—<http://www.tytl.com/aline/>, Mar. 21, 2014.

ZAGG Introduces invisibleSHIELD on Demand and invisible Shield Glass at CES 2 <http://investors.zagg.com/releasedetail.cfm?ReleaseID=817526>, Mar. 21, 2014.

International Search Report for Application No. PCT/US 09/61553, dated Dec. 17, 2009.

Protrusion on “F” key of computer keyboard; 1 page; picture taken Oct. 20, 2008.

Protrusion on “5” key of telephone; 1 page; picture taken Oct. 20, 2008.

Systech Displays, Inc.; Home page; <http://www.systechdisplays.com/>; Oct. 21, 2008; 2 pages.

Belkin Ez Frame Iris Anti-glare Film, posted at ebay.com, posting date Jul. 26, 2017, Copyright (C) 1995-2017 eBay Inc., [online], [site visited Mar. 20, 2017]. Available from Internet, <URL: <http://www.ebay.com/itm/BelkinEzFrameIrisAntiglareFilmwithEasyInstallFrameforIphone55S/171728155795>>.

Belkin InvisiGlass Ultra Screen Protection for iPhone 7, posted at apple.com, posting date not given, Copyright (C) 2017 Apple Inc., [online], [site visited Mar. 20, 2017]. Available from Internet, <URL: <http://www.apple.com/shop/product/HKF2ZM/B/belkininvisiultrascreenprotectionforiphone7>>.

Belkin ScreenForce Transparent Screen Protector, posted at belkin.com, (C) 2017 Belkin International, Inc., [online], [site visited Mar. 20, 2017]. Available from Internet, <URL: <http://www.belkin.com/us/F8W526-3/p/P-F8W526-3/>>.

International Search Report and Written Opinion for PCT/US2017/051882, dated Nov. 29, 2017.

* cited by examiner

Primary Examiner — Austin Murphy

(74) Attorney, Agent, or Firm — Bryan Cave Leighton Paisner LLP

(57) CLAIM

We claim the ornamental design for the overlay, substantially as shown.

DESCRIPTION

FIG. 1 is a top perspective view of an overlay, according to a first embodiment;

FIG. 2 is a bottom perspective view of the overlay, according to the first embodiment;

FIG. 3 is a top plan view of the overlay, according to the first embodiment;

FIG. 4 is a bottom plan view of the overlay, according to the first embodiment;

FIG. 5 is a side elevational view of the overlay, according to the first embodiment;

FIG. 6 is an opposite side elevational view of the overlay, according to the first embodiment;

FIG. 7 is an enlarged side elevational view of a portion of the overlay, as identified in FIG. 5, according to the first embodiment;

FIG. 8 is a top perspective view of an overlay, according to a second embodiment;

FIG. 9 is a bottom perspective view of the overlay, according to the second embodiment;

FIG. 10 is a top plan view of the overlay, according to the second embodiment;

FIG. 11 is a bottom plan view of the overlay, according to the second embodiment;

FIG. 12 is a side elevational view of the overlay, according to the second embodiment;

FIG. 13 is an opposite side elevational view of the overlay, according to the second embodiment; and,

FIG. 14 is an enlarged side elevational view of a portion of the overlay, as identified in FIG. 12, according to the second embodiment.

The evenly dashed broken lines of the various embodiments of the overlay are directed to environment and are for illustrative purposes only; the evenly dashed broken lines form no part of the claimed design.

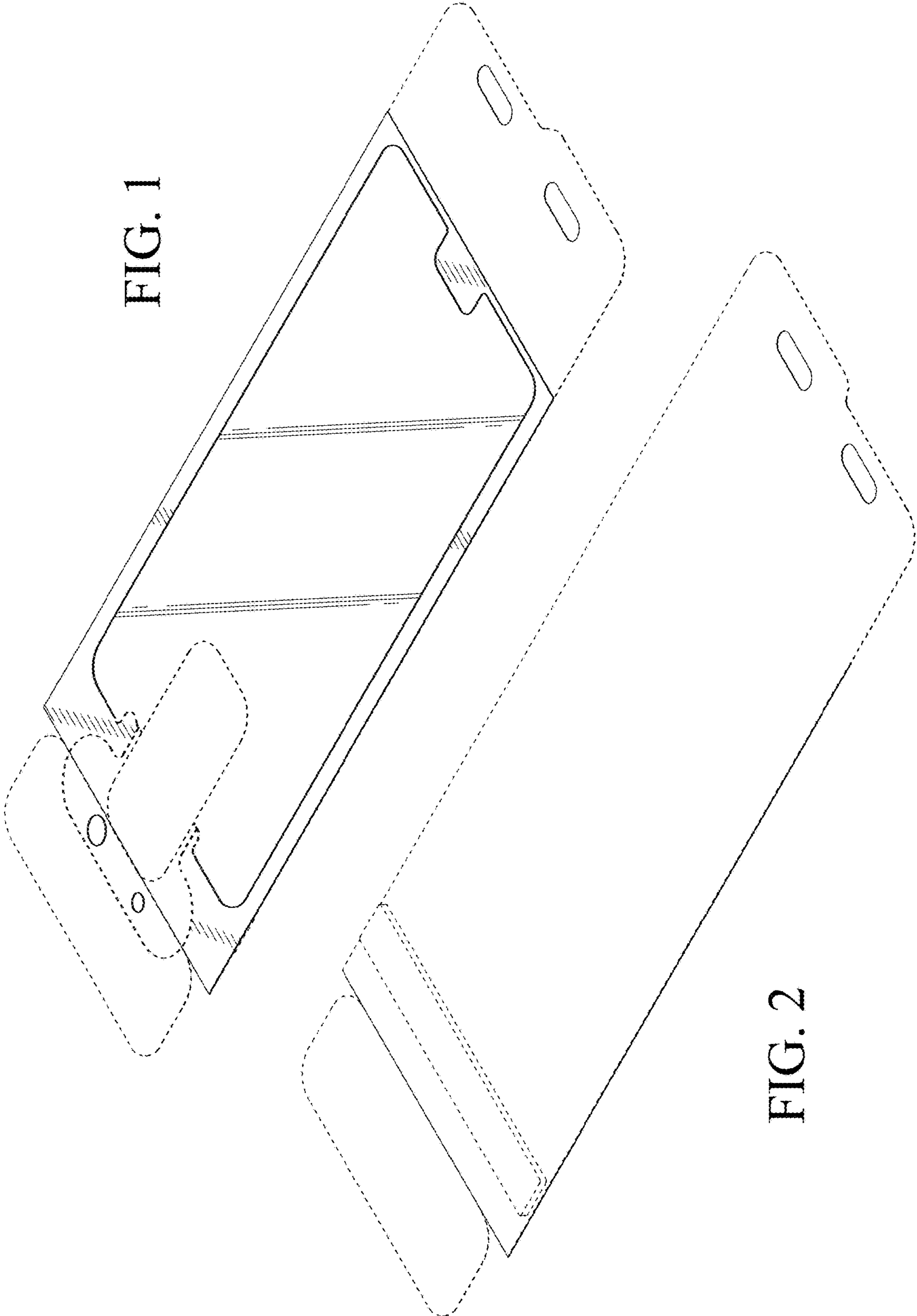


FIG. 1

FIG. 2

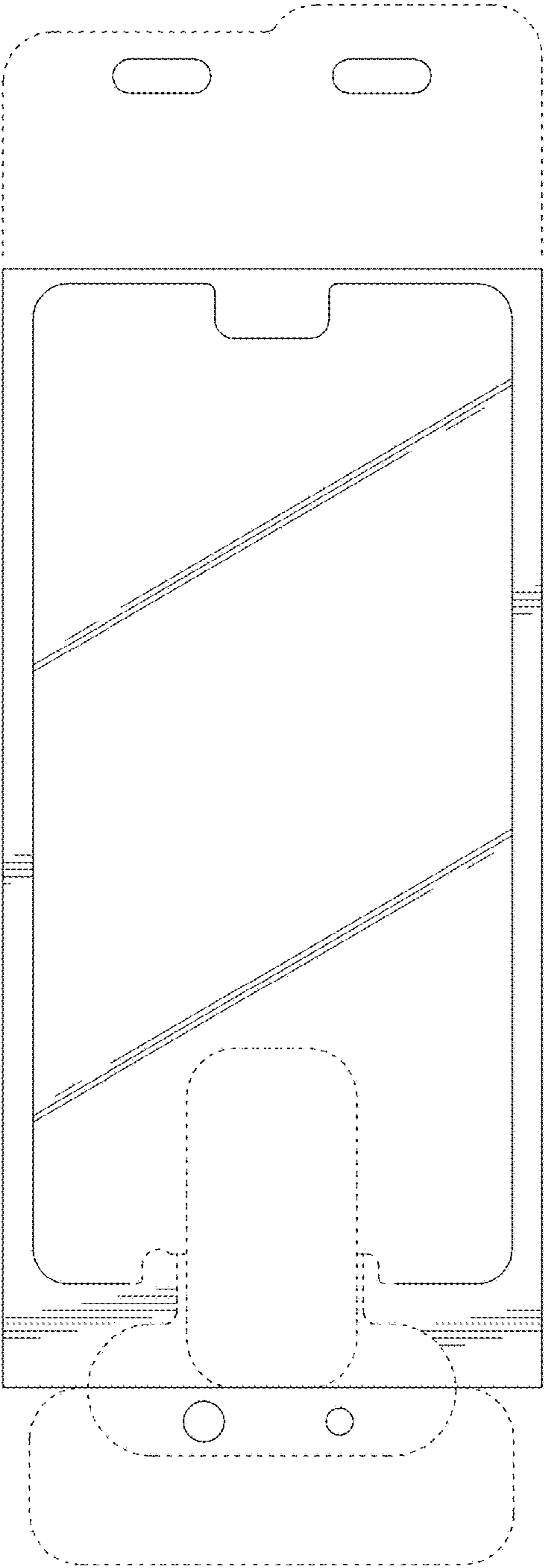


FIG. 3

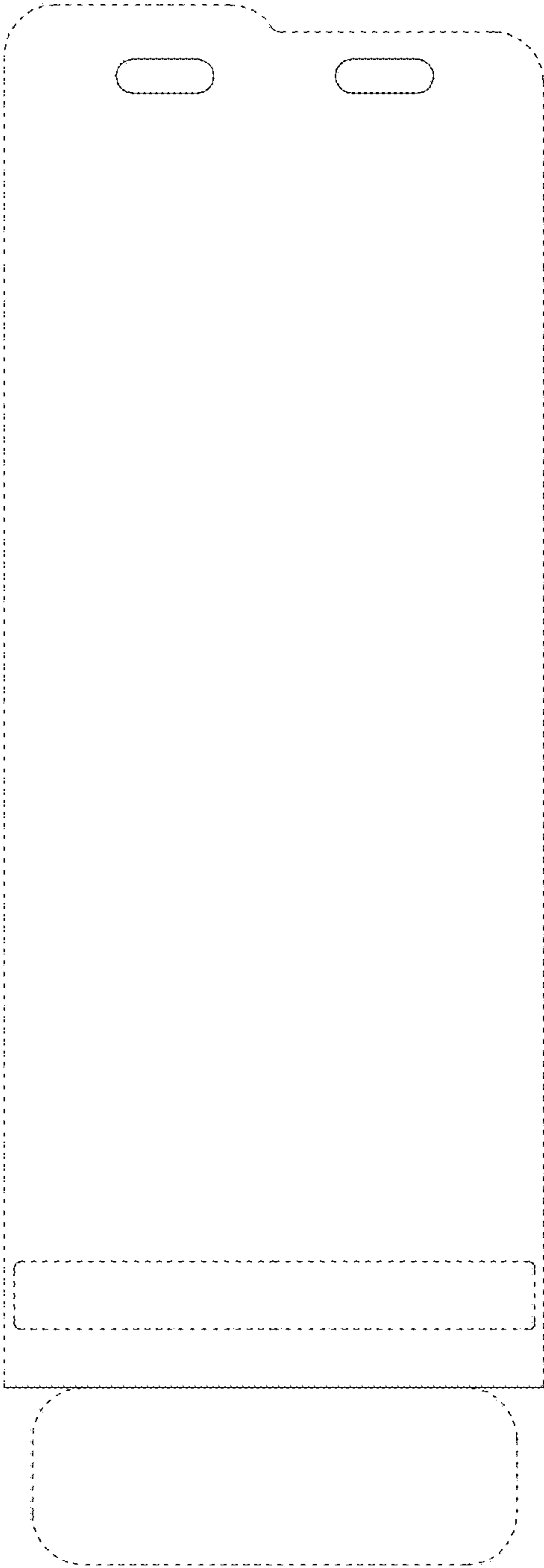
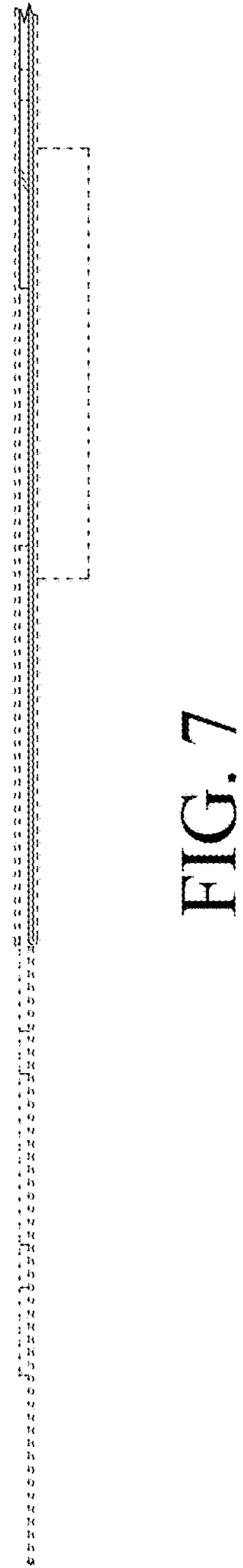
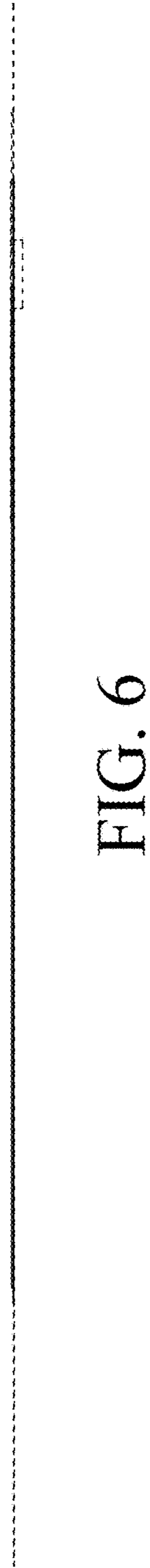
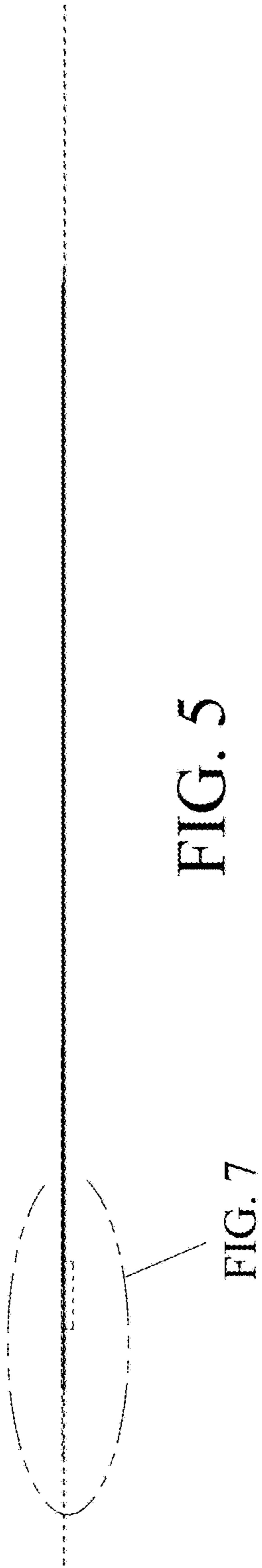


FIG. 4



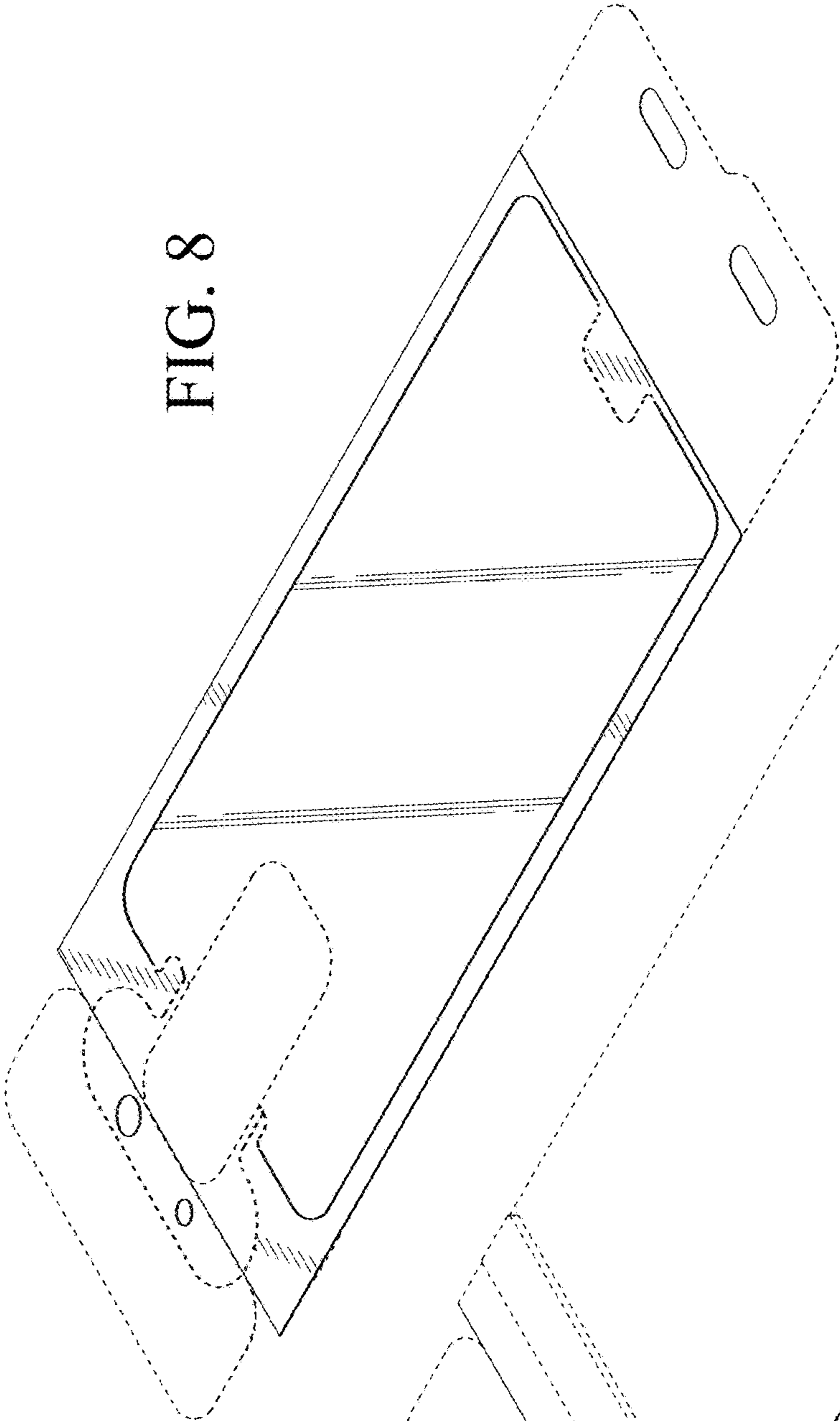


FIG. 8

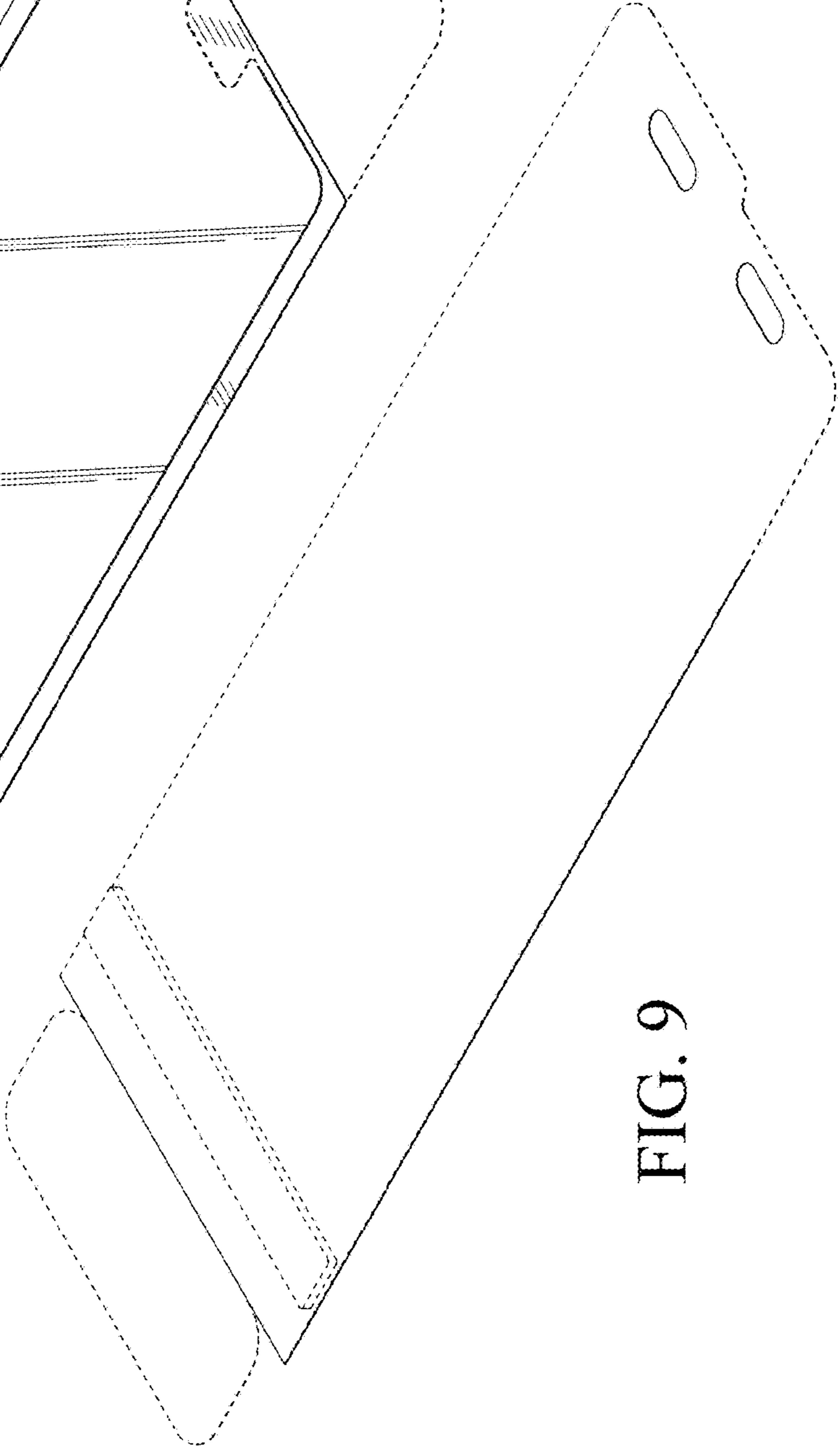


FIG. 9

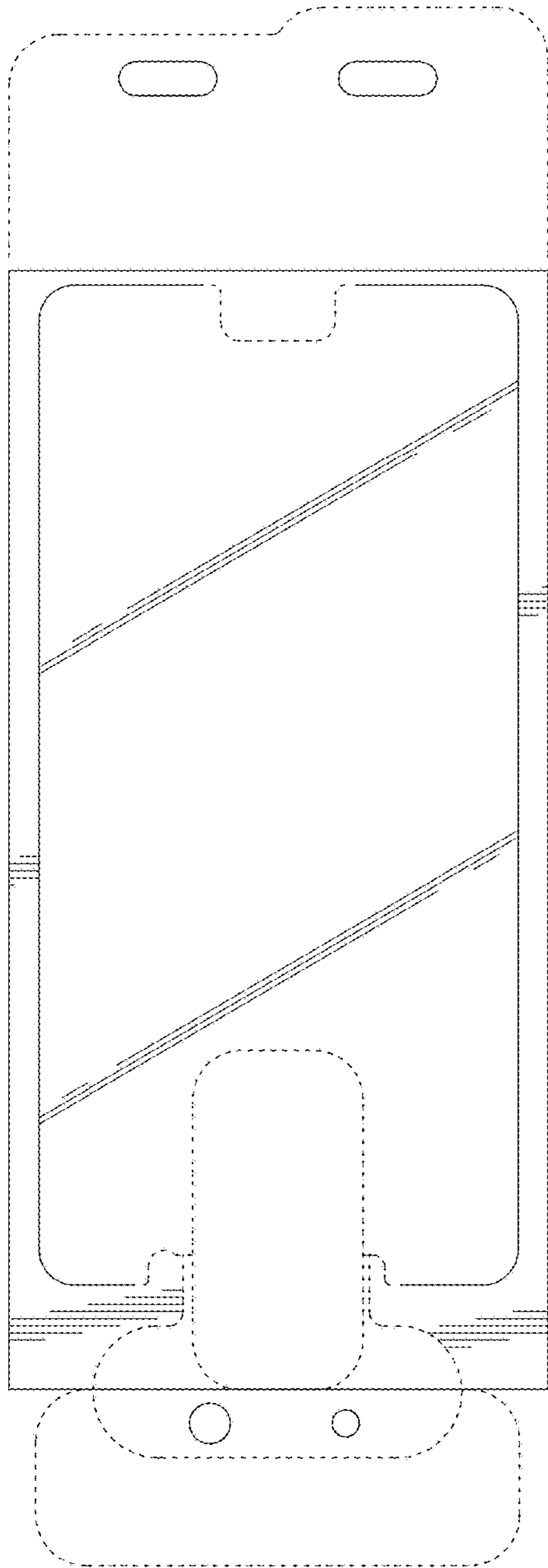


FIG. 10



FIG. 11

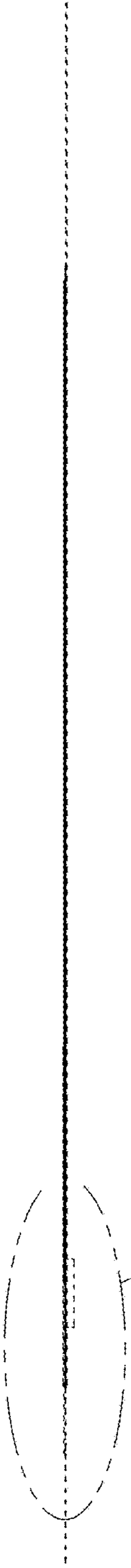


FIG. 12

FIG. 14



FIG. 13

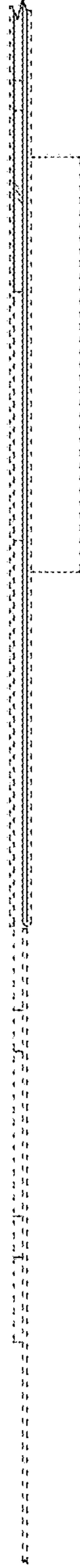


FIG. 14