



US00D832846S

(12) **United States Design Patent**
Wadsworth et al.

(10) **Patent No.:** **US D832,846 S**

(45) **Date of Patent:** **** Nov. 6, 2018**

- (54) **OVERLAY**
- (71) Applicant: **Belkin International, Inc.**, Playa Vista, CA (US)
- (72) Inventors: **John F. Wadsworth**, Burbank, CA (US); **David A. Kleeman**, Marina del Rey, CA (US); **Yuhua Lin**, Changzhou (CN)
- (73) Assignee: **BELKIN INTERNATIONAL, INC.**, Playa Vista, CA (US)
- (**) Term: **15 Years**
- (21) Appl. No.: **29/616,507**
- (22) Filed: **Sep. 6, 2017**

Related U.S. Application Data

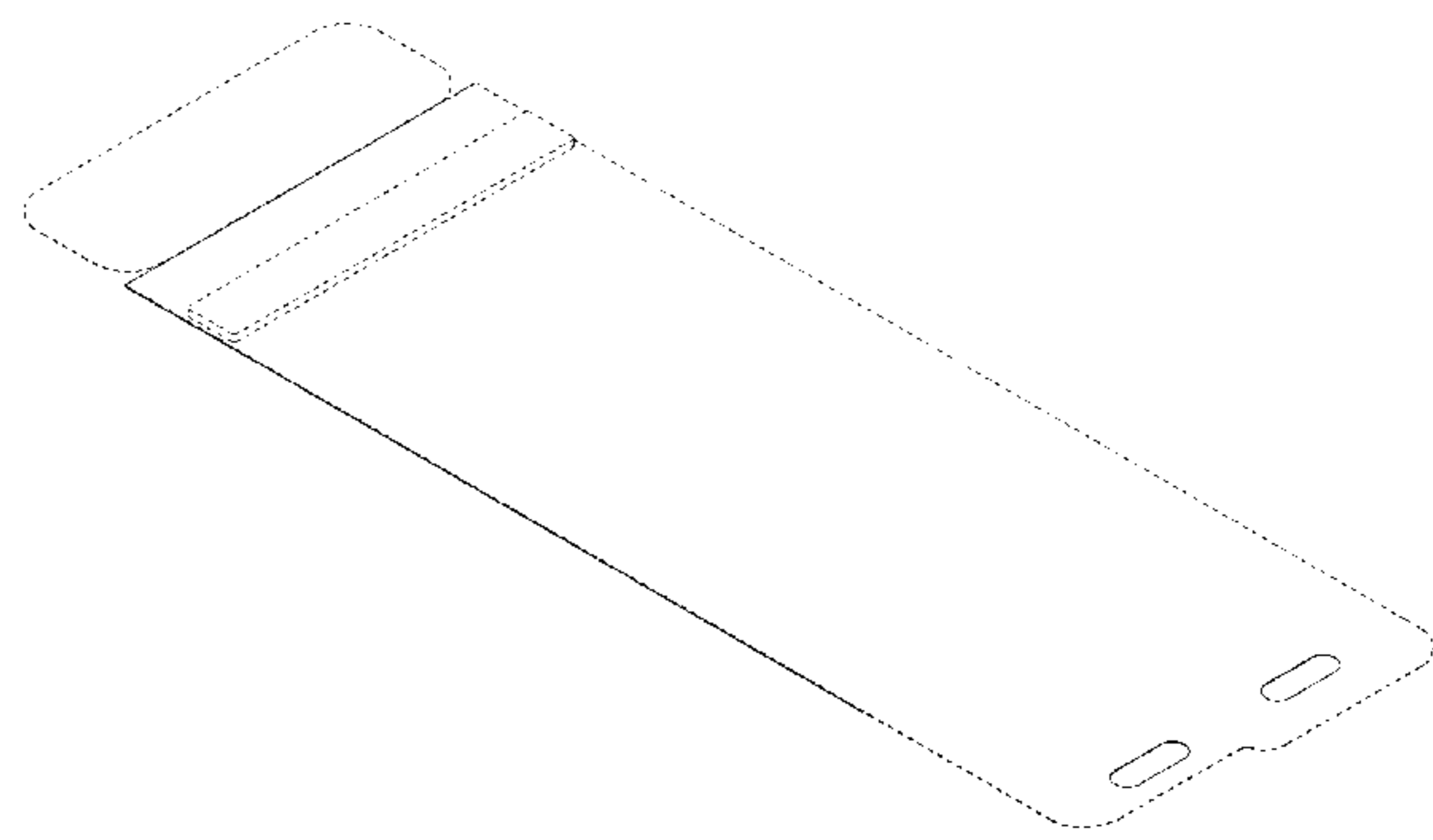
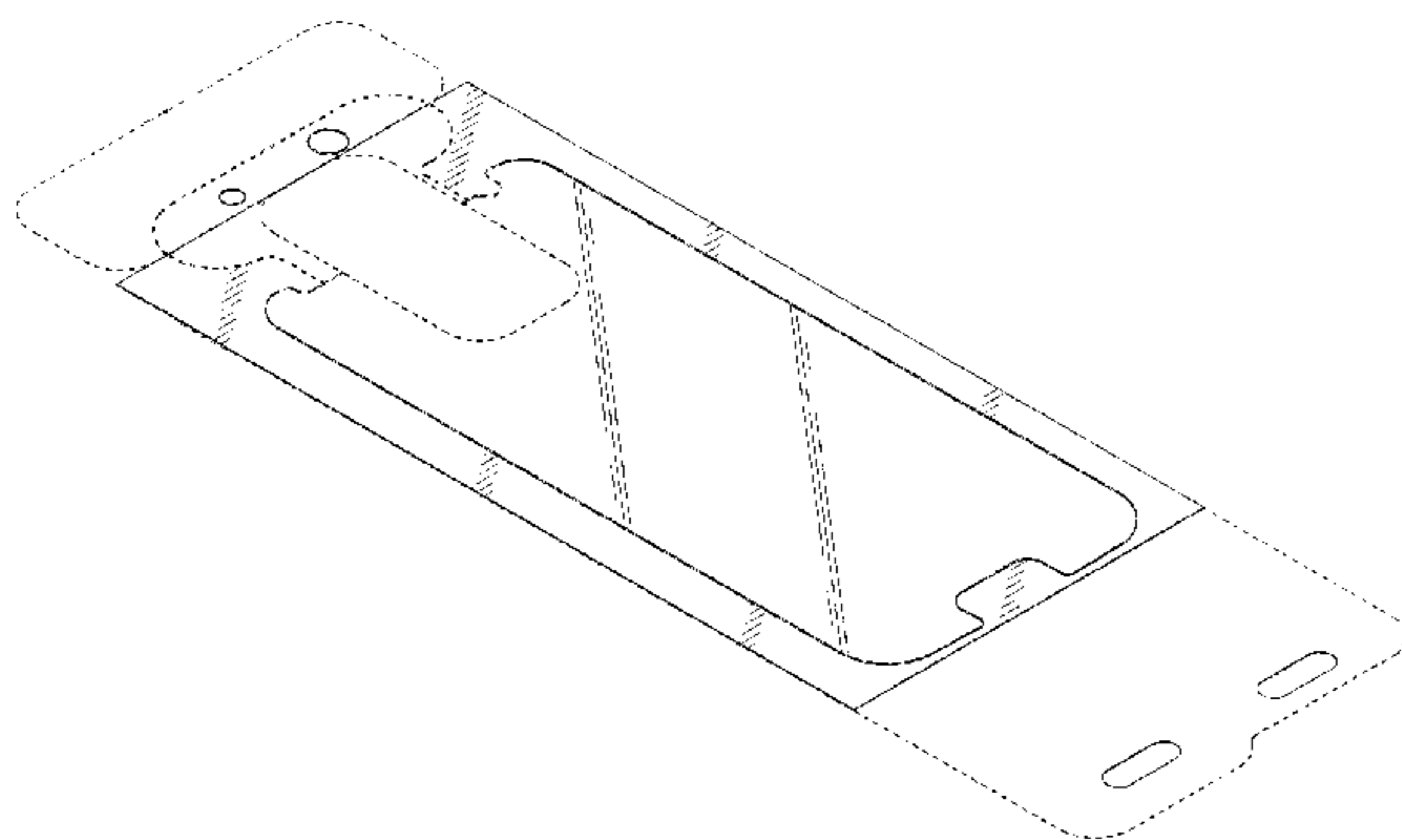
- (62) Division of application No. 29/566,354, filed on May 27, 2016, now Pat. No. Des. 800,131.
- (51) **LOC (11) Cl.** **14-02**
- (52) **U.S. Cl.**
USPC **D14/432**
- (58) **Field of Classification Search**
USPC D14/316-319, 432-439, 442, 451-454, D14/496, 495, 391, 385, 367, 356; D8/331, 330; D18/50, 4.6, 4.5; 439/630, 439/635, 639, 160; 360/2; 235/492, 486, 235/479, 380
CPC G06F 1/1643; G06F 1/169; H04B 1/3888
See application file for complete search history.

(56) **References Cited**

U.S. PATENT DOCUMENTS

| | | |
|--------------|---------|------------------|
| 4,285,559 A | 8/1981 | Koch |
| D305,648 S | 1/1990 | Edington |
| 4,895,231 A | 1/1990 | Yamaguchi et al. |
| 5,069,732 A | 12/1991 | Levine |
| 5,680,709 A | 10/1997 | Stone |
| 5,805,251 A | 9/1998 | Ozawa |
| 6,406,758 B1 | 6/2002 | Bottari et al. |
| 7,084,859 B1 | 8/2006 | Pryor |

| | | |
|--------------|---------|-----------------|
| D578,164 S | 10/2008 | Ingle |
| D598,024 S | 8/2009 | Scott et al. |
| D601,959 S | 10/2009 | Lee |
| D601,960 S | 10/2009 | Dai |
| 7,697,827 B2 | 4/2010 | Konicek |
| D627,826 S | 11/2010 | Halimi |
| 7,957,524 B2 | 6/2011 | Chipping |
| 7,966,861 B2 | 6/2011 | Yee et al. |
| D641,210 S | 7/2011 | Hamilton |
| 8,044,942 B1 | 10/2011 | Leonhard et al. |
| 8,047,365 B1 | 11/2011 | Lin |
| D651,214 S | 12/2011 | Yoo et al. |
| D651,791 S | 1/2012 | Cataldo et al. |
| D658,164 S | 4/2012 | Chan |
| D665,809 S | 8/2012 | Wang et al. |
| 8,369,072 B1 | 2/2013 | Alonzo et al. |
| 8,393,377 B2 | 3/2013 | Patel et al. |
| D679,753 S | 4/2013 | Sato et al. |
| D680,166 S | 4/2013 | Sato et al. |
| 8,517,367 B1 | 8/2013 | Napier |
| D690,704 S | 10/2013 | Padilla et al. |
| 8,564,538 B2 | 10/2013 | Wadsworth |
| D694,240 S | 11/2013 | Cho |
| 8,640,759 B2 | 2/2014 | Chen |
| 8,675,353 B1 | 3/2014 | Alonzo et al. |
| D707,217 S | 6/2014 | Toulotte |
| D710,843 S | 8/2014 | Akana |
| D713,397 S | 9/2014 | Du et al. |
| D714,053 S | 9/2014 | Yoo |
| 8,821,659 B2 | 9/2014 | Ng et al. |
| D715,301 S | 10/2014 | Ashcraft et al. |
| D715,784 S | 10/2014 | Lin et al. |
| D720,353 S | 12/2014 | Nakamura |
| D721,359 S | 1/2015 | Kim |
| 8,931,770 B1 | 1/2015 | Kaminski |
| 9,001,502 B1 | 4/2015 | Cowan |
| 9,010,396 B2 | 4/2015 | Patel et al. |
| D729,235 S | 5/2015 | Nagao et al. |
| D734,311 S | 7/2015 | Takamoto et al. |
| 9,089,085 B2 | 7/2015 | Patel |
| 9,159,260 B2 | 10/2015 | Oh |
| D743,402 S | 11/2015 | Ehara et al. |
| D746,265 S | 12/2015 | Colby et al. |
| D747,320 S | 1/2016 | Snyder et al. |
| D751,556 S | 3/2016 | Conley et al. |
| D751,557 S | 3/2016 | Lane |
| D759,640 S | 6/2016 | Wadsworth |
| D767,550 S | 9/2016 | Beaupre et al. |
| D769,857 S | 10/2016 | Shin et al. |
| D772,199 S | 11/2016 | Igarashi |
| D773,927 S | 12/2016 | Cernokus et al. |
| D776,123 S | 1/2017 | Akana et al. |
| D777,714 S | 1/2017 | Akana et al. |



US D832,846 S

| | | | | | |
|--------------------------|---------|-----------------------------|------------------|---------------|------------------------------|
| D778,869 S | 2/2017 | Kim et al. | 2015/0047773 A1* | 2/2015 | Wadsworth B29C 63/0047 |
| D781,861 S | 3/2017 | Lane et al. | | | 156/182 |
| D783,024 S | 4/2017 | Conley et al. | 2015/0107767 A1* | 4/2015 | Wadsworth B29C 63/0004 |
| 9,662,860 B2 | 5/2017 | Wadsworth | | | 156/324 |
| 9,688,016 B2 | 6/2017 | Rostami | 2015/0121691 A1 | 5/2015 | Wang |
| 9,701,062 B2 | 7/2017 | Wadsworth et al. | 2015/0136314 A1 | 5/2015 | Napier |
| 9,701,096 B2 | 7/2017 | Beaupre | 2015/0227226 A1 | 8/2015 | Wierenga et al. |
| D800,126 S * | 10/2017 | Wadsworth D14/432 | 2015/0362736 A1 | 12/2015 | Owasie |
| D800,127 S * | 10/2017 | Beaupre D14/432 | 2016/0009024 A1 | 1/2016 | Mason |
| D800,128 S * | 10/2017 | Beaupre D14/432 | 2016/0253039 A1* | 9/2016 | Heo G06F 3/0412 |
| D800,129 S * | 10/2017 | Wadsworth D14/432 | | | 345/173 |
| D800,130 S * | 10/2017 | Beaupre D14/432 | 2017/0001364 A1 | 1/2017 | MacDonald et al. |
| D800,131 S * | 10/2017 | Wadsworth D14/432 | | | |
| D800,714 S * | 10/2017 | Lee D14/250 | | | |
| D802,594 S * | 11/2017 | Beaupre D14/432 | | | |
| FOREIGN PATENT DOCUMENTS | | | | | |
| 2002/0054030 A1 | 5/2002 | Murphy | CN | 201456516 | 5/2010 |
| 2004/0109096 A1 | 6/2004 | Anderson et al. | CN | 201538078 | 8/2010 |
| 2004/0246386 A1 | 12/2004 | Thomas et al. | CN | 102632674 | 8/2012 |
| 2005/0030296 A1 | 2/2005 | Stohrer et al. | CN | 202623469 | 12/2012 |
| 2005/0164148 A1 | 7/2005 | Sinclair | CN | 202896928 | 4/2013 |
| 2007/0013662 A1 | 1/2007 | Fauth | CN | 202923909 | 5/2013 |
| 2007/0021068 A1 | 1/2007 | Dewhurst | CN | 202967060 | 6/2013 |
| 2007/0058990 A1 | 3/2007 | Weaver et al. | CN | 203077741 | 7/2013 |
| 2007/0115621 A1 | 5/2007 | Guillen | EM | 0024866540001 | 6/2004 |
| 2007/0229962 A1 | 10/2007 | Mason, Jr. | EM | 0024866540002 | 6/2004 |
| 2007/0247793 A1 | 10/2007 | Carnevali | EM | 0024866540003 | 6/2004 |
| 2007/0293282 A1 | 12/2007 | Lewis et al. | EM | 0024866540004 | 6/2004 |
| 2009/0015509 A1 | 1/2009 | Gottwald et al. | EM | 0024866540005 | 6/2004 |
| 2009/0133219 A1 | 5/2009 | Lowry et al. | EM | 0024866540006 | 6/2004 |
| 2009/0186181 A1 | 7/2009 | Mase | EM | 0024866540007 | 6/2004 |
| 2009/0245565 A1* | 10/2009 | Mittleman H04M 1/035 | EM | 0024866540008 | 6/2004 |
| | | 381/365 | EM | 0024866960001 | 6/2004 |
| 2009/0314400 A1* | 12/2009 | Liu A45C 11/00 | EM | 0024866960002 | 6/2004 |
| | | 150/165 | EM | 0024866960003 | 6/2004 |
| 2010/0053926 A1 | 3/2010 | Shi et al. | EM | 0024866960004 | 6/2004 |
| 2010/0079972 A1 | 4/2010 | Chen et al. | EM | 0024866960005 | 6/2004 |
| 2010/0097757 A1 | 4/2010 | Wang | EM | 0024866960006 | 6/2004 |
| 2010/0309152 A1 | 12/2010 | Kusuda et al. | EM | 0024866960007 | 6/2004 |
| 2011/0188179 A1* | 8/2011 | Myers G06F 1/1626 | EM | 0024866960008 | 6/2004 |
| | | 361/679.01 | EM | 0024866960009 | 6/2004 |
| 2011/0206887 A1 | 8/2011 | Kim | EM | 0024866960010 | 6/2004 |
| 2011/0267793 A1 | 11/2011 | Cohen | EM | 0024866960011 | 6/2004 |
| 2011/0279383 A1 | 11/2011 | Wilson et al. | EM | 0024866960012 | 6/2004 |
| 2011/0309608 A1 | 12/2011 | Flynn et al. | EM | 0024866960013 | 6/2004 |
| 2012/0043015 A1 | 2/2012 | Feller | EM | 0024866960014 | 6/2004 |
| 2012/0063077 A1 | 3/2012 | Tomobe et al. | EM | 0024866960015 | 6/2004 |
| 2012/0076967 A1 | 3/2012 | Muramatsu | EM | 0024866960016 | 6/2004 |
| 2012/0087072 A1 | 4/2012 | McGuire et al. | EM | 0024867120001 | 6/2004 |
| 2012/0110868 A1 | 5/2012 | Abbondanzio | EM | 0024867120002 | 6/2004 |
| 2012/0183712 A1 | 7/2012 | Leonhard et al. | EM | 0024867120003 | 6/2004 |
| 2012/0211168 A1 | 8/2012 | Patel et al. | EM | 0024867120004 | 6/2004 |
| 2012/0211170 A1 | 8/2012 | Patel et al. | EM | 0024867120005 | 6/2004 |
| 2012/0261930 A1 | 10/2012 | Bethea | EM | 0024867120006 | 6/2004 |
| 2012/0268394 A1 | 10/2012 | Hsu et al. | EM | 0024867120007 | 6/2004 |
| 2012/0276318 A1 | 11/2012 | Franke | EM | 0024867120008 | 6/2004 |
| 2013/0020005 A1 | 1/2013 | Koblick et al. | EM | 0024867120009 | 6/2004 |
| 2013/0020020 A1 | 1/2013 | Liu | EM | 0024867120010 | 6/2004 |
| 2013/0040088 A1 | 2/2013 | Hirayama et al. | EM | 0024867120011 | 6/2004 |
| 2013/0048203 A1* | 2/2013 | Yau B32B 7/06 | EM | 0024867120012 | 6/2004 |
| | | 156/230 | EM | 0024867120013 | 6/2004 |
| 2013/0113348 A1* | 5/2013 | Holben H05K 5/03 | EM | 0024867120014 | 6/2004 |
| | | 312/223.1 | EM | 0024867120015 | 6/2004 |
| 2013/0156999 A1 | 6/2013 | Braesch et al. | EM | 0024867120016 | 6/2004 |
| 2013/0184845 A1 | 7/2013 | Hales | JP | 10199422 | 7/1998 |
| 2013/0237296 A1* | 9/2013 | Chen B29C 63/0004 | JP | 2002049327 | 2/2002 |
| | | 455/575.8 | JP | 2002057764 | 2/2002 |
| 2013/0264235 A1 | 10/2013 | Lin | JP | 2003066419 | 3/2003 |
| 2014/0047708 A1 | 2/2014 | Chae | JP | 2006145918 | 6/2006 |
| 2014/0055927 A1 | 2/2014 | Wang | JP | 2006155452 | 6/2006 |
| 2014/0124146 A1 | 5/2014 | Patel et al. | JP | 3124275 | 8/2006 |
| 2014/0130971 A1* | 5/2014 | Wu H05K 13/00 | JP | 3180690 | 12/2012 |
| | | 156/249 | KR | 200454225 | 6/2011 |
| 2014/0250964 A1 | 9/2014 | Dai et al. | KR | 101080018 | 11/2011 |
| 2014/0332417 A1 | 11/2014 | Wicks et al. | KR | 101135144 | 4/2012 |
| 2014/0338829 A1 | 11/2014 | Peng et al. | KR | 101176316 | 8/2012 |
| 2015/0000831 A1 | 1/2015 | Wang | KR | 1020130043720 | 5/2013 |
| 2015/0041069 A1* | 2/2015 | Wadsworth B29C 63/024 | KR | 300704457 | 8/2013 |
| | | 156/535 | KR | 300704458 | 8/2013 |
| | | | KR | 300704459 | 8/2013 |

| | | |
|----|---------------|---------|
| KR | 300704460 | 8/2013 |
| KR | 1020130092713 | 8/2013 |
| KR | 1020130092804 | 8/2013 |
| KR | 300720375 | 12/2013 |
| KR | 300720376 | 12/2013 |
| KR | 101408663 | 6/2014 |
| KR | 1020140070046 | 6/2014 |
| KR | 1020140076245 | 6/2014 |
| KR | 101468710 | 12/2014 |
| KR | 200475419 | 12/2014 |
| KR | 200475420 | 12/2014 |
| KR | 1020140136596 | 12/2014 |
| KR | 1020140142904 | 12/2014 |
| KR | 1020140143262 | 12/2014 |
| KR | 1020150006910 | 1/2015 |
| KR | 200476916 | 4/2015 |
| KR | 1020150039292 | 4/2015 |
| KR | 2020150001663 | 5/2015 |
| KR | 300804459 | 7/2015 |
| KR | 1020160022665 | 3/2016 |
| KR | 1020160022755 | 3/2016 |
| KR | 1020160061078 | 5/2016 |
| KR | 1020160088067 | 7/2016 |
| KR | 1020160091491 | 8/2016 |
| KR | 2020170000128 | 1/2017 |
| TW | 1401223 | 7/2013 |
| WO | 2003093879 | 11/2003 |
| WO | 2004005141 | 1/2004 |
| WO | 2005058705 | 6/2005 |
| WO | WO2011065796 | 6/2011 |
| WO | 2011163151 | 12/2011 |
| WO | 2012074802 | 6/2012 |
| WO | 2012141505 | 10/2012 |

OTHER PUBLICATIONS

Translation of KR-10-1135144, retrieved from the Internet on Jun. 9, 2017.

International Search Report and Written Opinion for PCT/US2014/050420 dated Nov. 19, 2014.

International Search Report and Written Opinion for PCT/US2014/060300 dated Jan. 27, 2015.

International Search Report and Written Opinion for PCT/US2014/071767 dated Apr. 24, 2015.

AMZER—Kristal Screen Protectors <http://www.amzer.com/kristal/>, Mar. 21, 2014.

MyScreenPROTECTOR—<https://www.myscreenprotector.com/?Ing=3&view=cms&txt=about-my-screen-protector>, Mar. 21, 2014.

PureGear—PureTek Roll-On Kit—<http://www.pure-gear.com/shop-by-category/screen/puretek-roll-on-kit-antibacterial-antiglare-anti-fingerprint.html>, Mar. 21, 2014.

TYLT ALIN Perfect Alignment Screen Protection—<http://www.tytl.com/alin/>, Mar. 21, 2014.

ZAGG Introduces invisibleSHIELD on Demand and invisible Shield Glass at CES 2 <http://investors.zagg.com/releasedetail.cfm?ReleaseID=817526>, Mar. 21, 2014.

International Search Report for Application No. PCT/US 09/61553, dated Dec. 17, 2009.

Protrusion on “F” key of computer keyboard; 1 page; picture taken Oct. 20, 2008.

Protrusion on “5” key of telephone; 1 page; picture taken Oct. 20, 2008.

Systech Displays, Inc.; Home page; <http://www.systechdisplays.com/>; Oct. 21, 2008; 2 pages.

Belkin Ez Frame Iris Anti-glare Film, posted at ebay.com, posting date Jul. 26, 2017, Copyright (C) 1995-2017 eBay Inc., [online], [site visited Mar. 20, 2017]. Available from Internet, <URL: <http://www.ebay.com/itm/BelkinEzFrameIrisAntiglareFilmwithEasyInstallFrameforIphone55S/171728155795>>.

Belkin InvisiGlass Ultra Screen Protection for iPhone 7, posted at apple.com, posting date not given, Copyright (C) 2017 Apple Inc., [online], [site visited Mar. 20, 2017]. Available from Internet, <URL: <http://www.apple.com/shop/product/HKF2ZM/B/belkininvisiultrascreenprotectionforiphone7>>.

Belkin ScreenForce Transparent Screen Protector, posted at belkin.com, (C) 2017 Belkin International, Inc., [online], [site visited Mar. 20, 2017]. Available from Internet, <URL: <http://www.belkin.com/us/F8W526-3/p/P-F8W526-3/>>.

International Search Report and Written Opinion for PCT/US2017/051882, dated Nov. 29, 2017.

* cited by examiner

Primary Examiner — Austin Murphy

(74) Attorney, Agent, or Firm — Bryan Cave Leighton Paisner LLP

(57) CLAIM

We claim the ornamental design for the overlay, substantially as shown.

DESCRIPTION

FIG. 1 is a top perspective view of an overlay, according to a first embodiment;

FIG. 2 is a bottom perspective view of the overlay, according to the first embodiment;

FIG. 3 is a top plan view of the overlay, according to the first embodiment;

FIG. 4 is a bottom plan view of the overlay, according to the first embodiment;

FIG. 5 is a side elevational view of the overlay, according to the first embodiment;

FIG. 6 is an opposite side elevational view of the overlay, according to the first embodiment;

FIG. 7 is an enlarged side elevational view of a portion of the overlay, as identified in FIG. 5, according to the first embodiment;

FIG. 8 is a top perspective view of an overlay, according to a second embodiment;

FIG. 9 is a bottom perspective view of the overlay, according to the second embodiment;

FIG. 10 is a top plan view of the overlay, according to the second embodiment;

FIG. 11 is a bottom plan view of the overlay, according to the second embodiment;

FIG. 12 is a side elevational view of the overlay, according to the second embodiment;

FIG. 13 is an opposite side elevational view of the overlay, according to the second embodiment; and,

FIG. 14 is an enlarged side elevational view of a portion of the overlay, as identified in FIG. 12, according to the second embodiment.

The evenly dashed broken lines of the various embodiments of the overlay are directed to environment and are for illustrative purposes only; the evenly dashed broken lines form no part of the claimed design.

FIG. 1

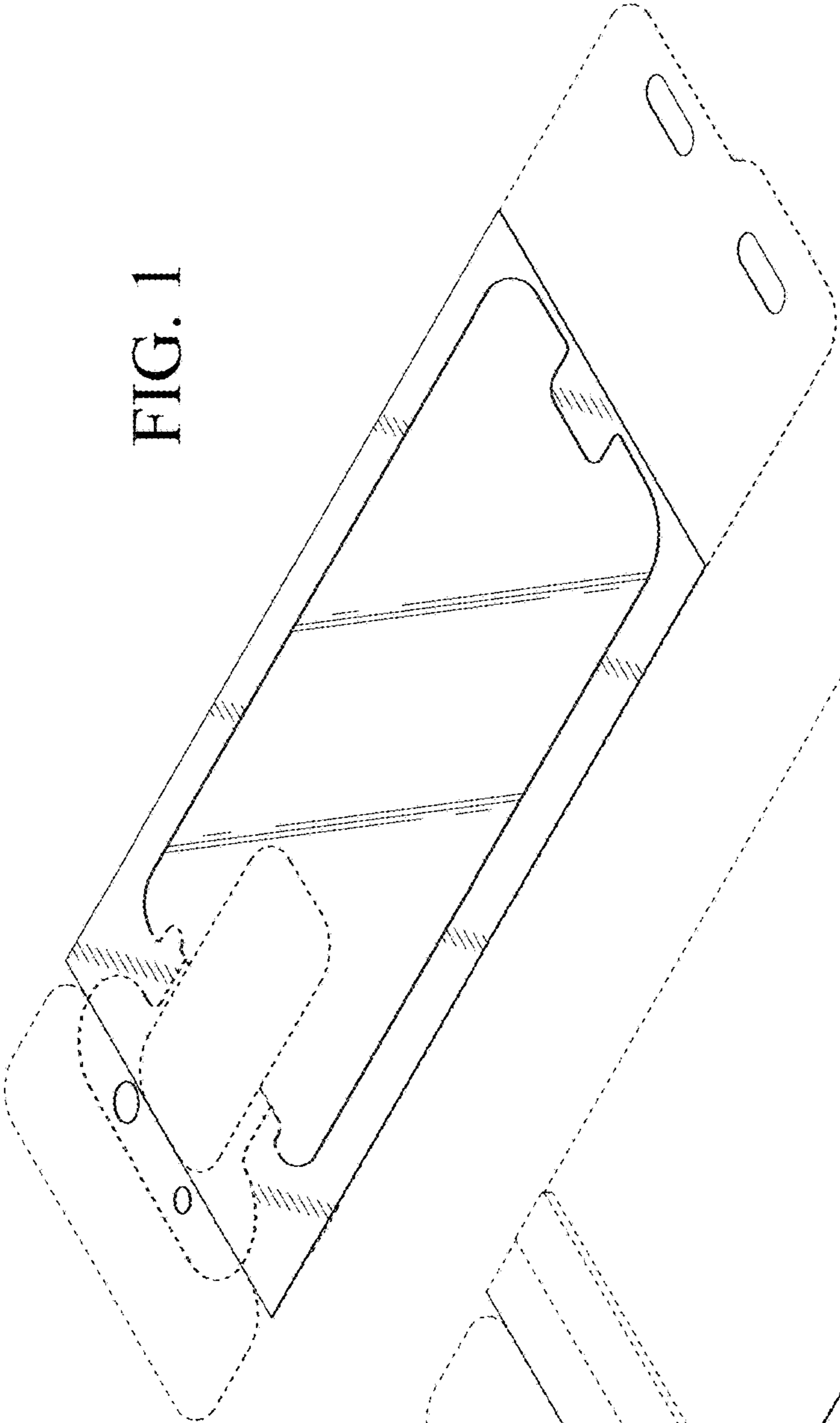
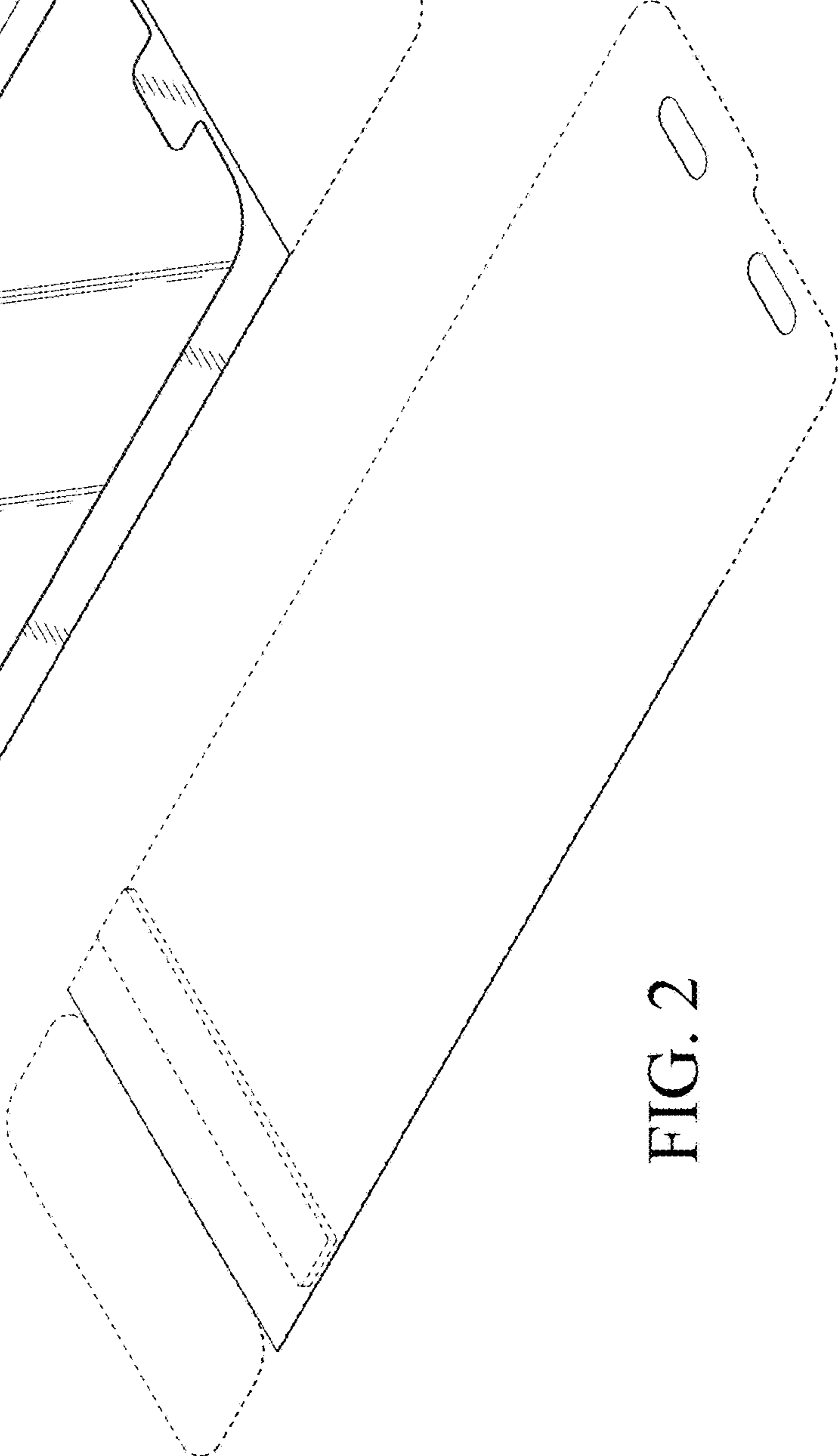


FIG. 2



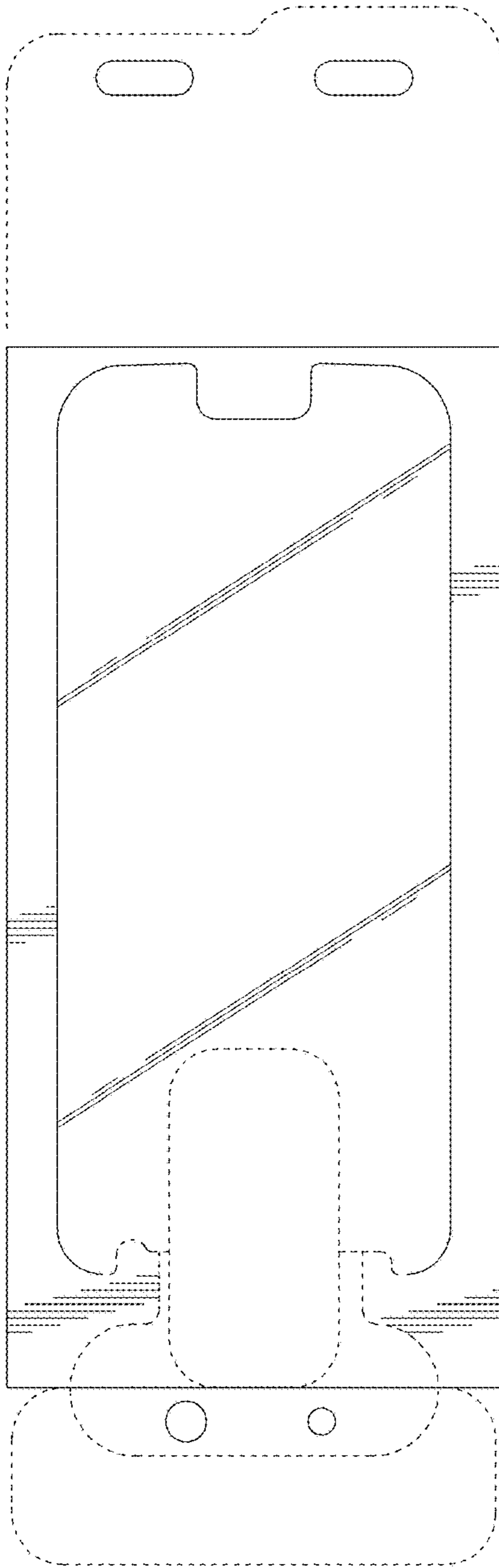


FIG. 3



FIG. 4

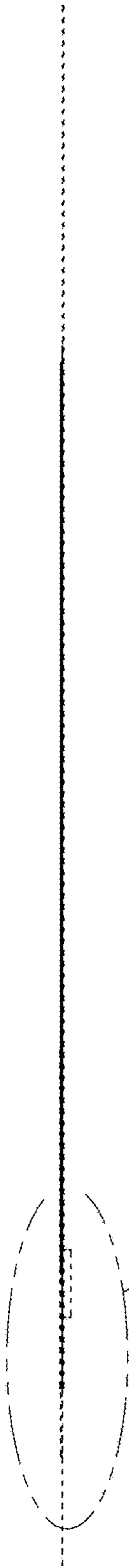


FIG. 5

FIG. 7



FIG. 6

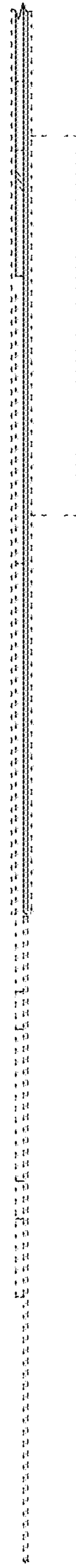


FIG. 7

FIG. 8

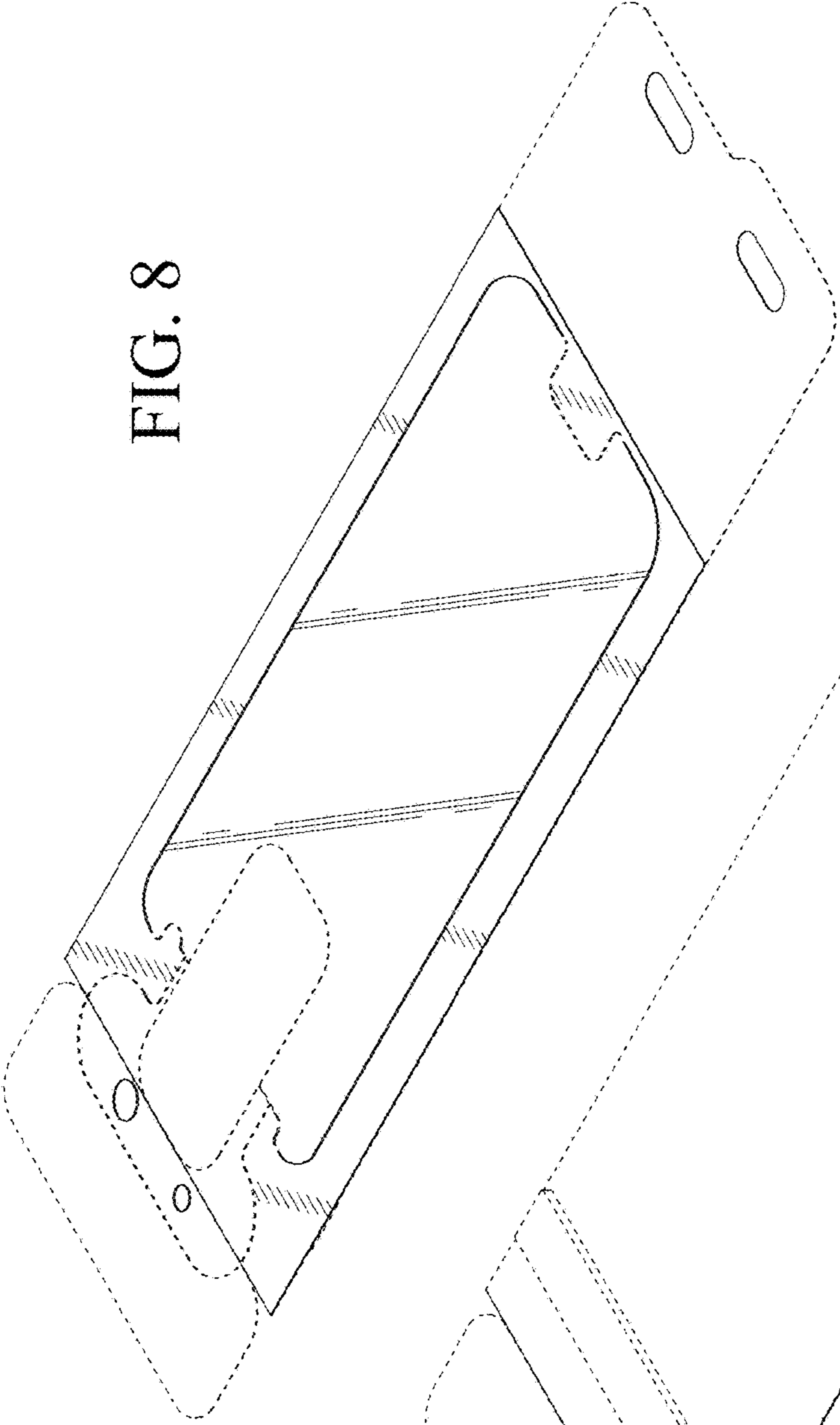
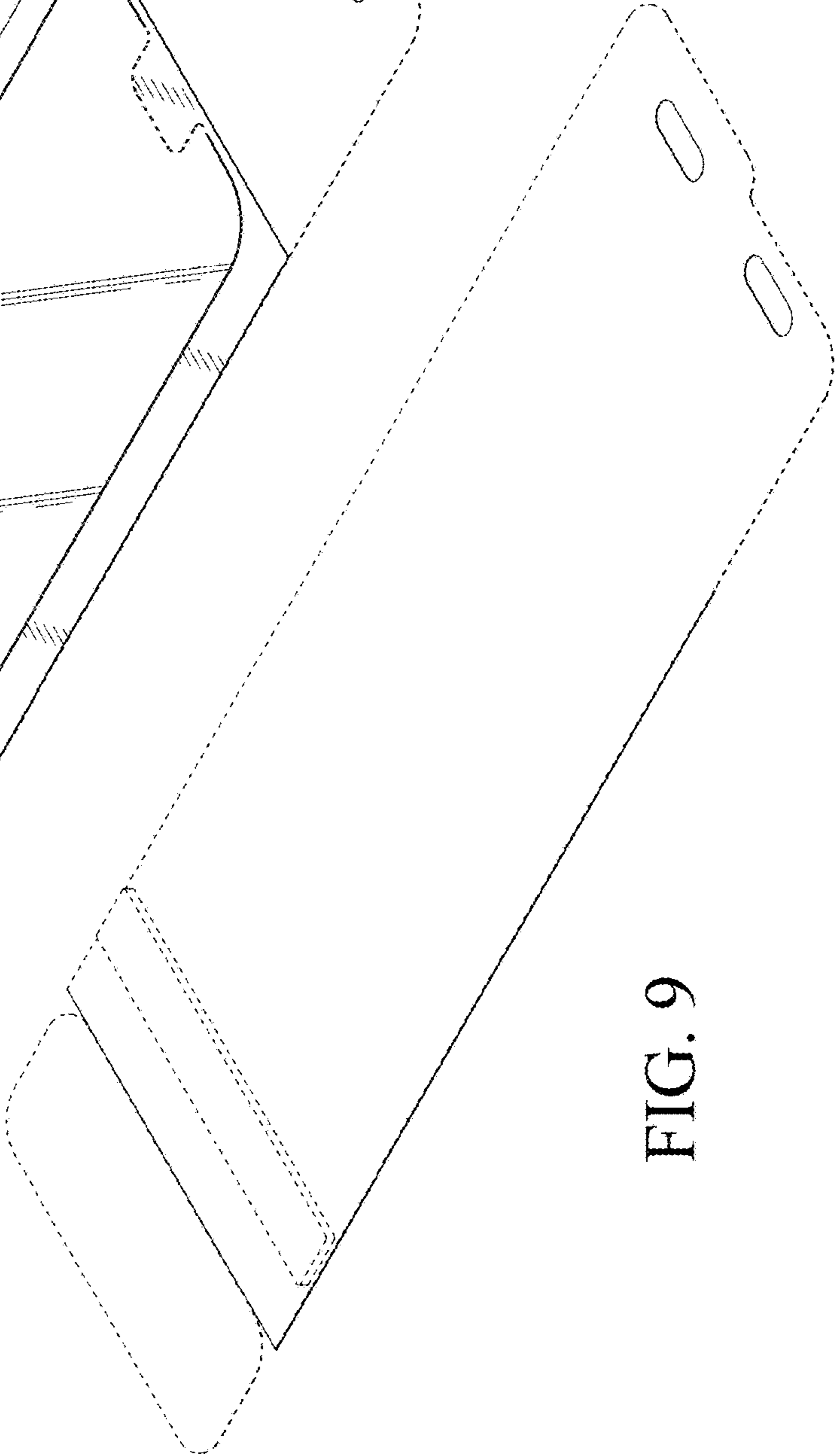


FIG. 9



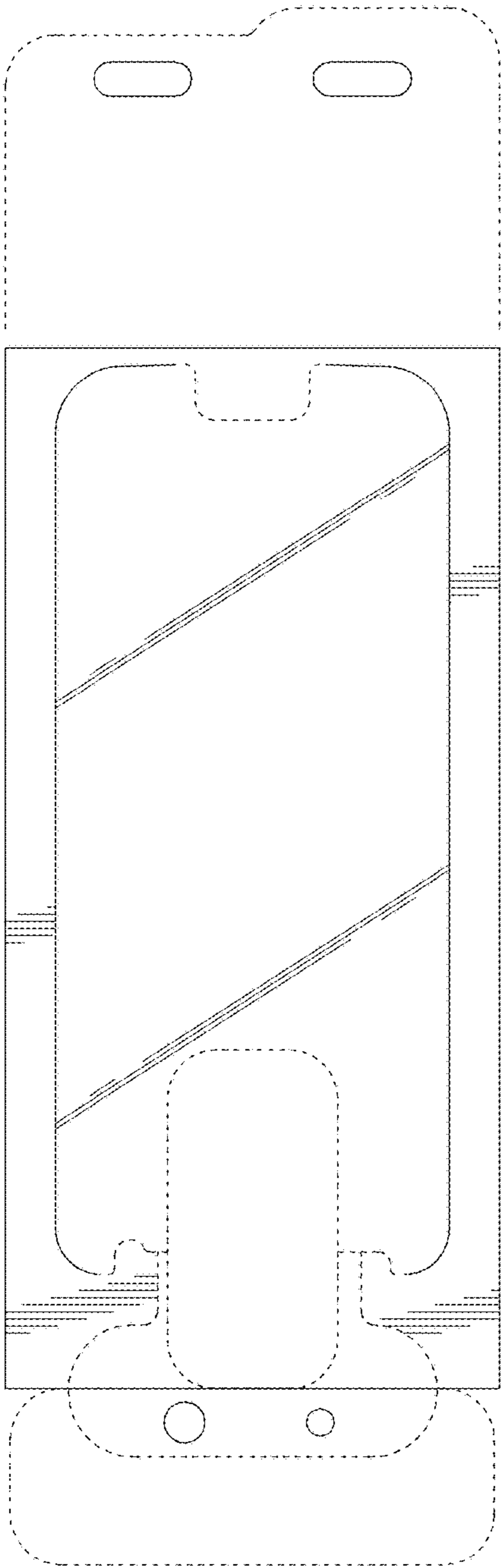


FIG. 10

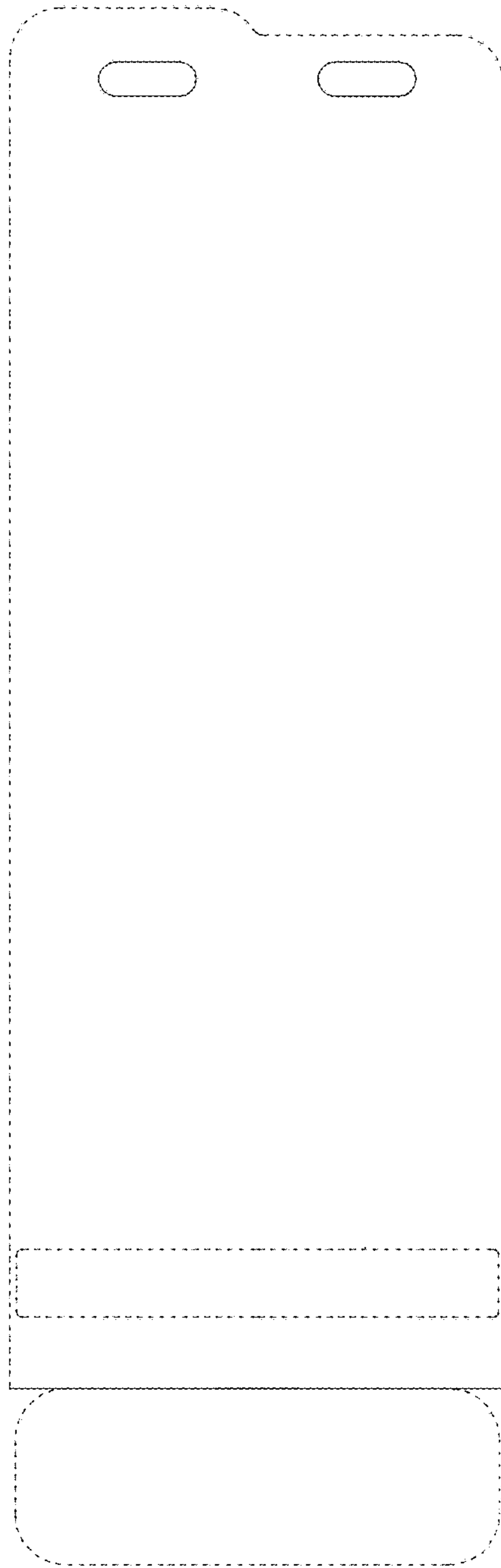


FIG. 11

