



US00D832845S

(12) **United States Design Patent**
Memke et al.

(10) **Patent No.:** **US D832,845 S**

(45) **Date of Patent:** **** Nov. 6, 2018**

(54) **OPTICAL SCANNER**

(71) Applicant: **Hand Held Products, Inc.**, Fort Mill, SC (US)

(72) Inventors: **David K. Memke**, Bainbridge Island, WA (US); **John S. Bandringa**, Everett, WA (US); **Roger Jackson**, Lake Forest Park, WA (US); **Tim Zurmoehle**, Seattle, WA (US); **William Herweh, III**, Seattle, WA (US); **Churu Yun**, Seattle, WA (US); **Matthew McElvogue**, Seattle, WA (US); **Rajat Shail**, Chicago, IL (US)

(73) Assignee: **Hand Held Products, Inc.**, Fort Mill, SC (US)

(**) Term: **15 Years**

(21) Appl. No.: **29/572,898**

(22) Filed: **Aug. 1, 2016**

(51) **LOC (11) Cl.** **14-02**

(52) **U.S. Cl.**
USPC **D14/428**

(58) **Field of Classification Search**
USPC D14/420, 426-430, 453, 346, 341, 347, D14/412, 138; D13/107, 184; 358/473; 235/462.43, 462.45, 462.47, 462.48, 235/462.44, 462.46, 487, 472.01, 472.02, 235/145 A, 145 R; D10/78; 324/426; D3/273; 710/73; D18/7; 361/679, 728, 361/679.56; 382/313, 321; 455/575.1, 455/561, 572; 345/156, 168, 169, 172, 345/173, 87; 705/17, 18, 22-25; D26/45
(Continued)

(56) **References Cited**

U.S. PATENT DOCUMENTS

D297,571 S * 9/1988 Mann D26/37
D298,630 S * 11/1988 Sellars, Jr. D14/428

(Continued)

OTHER PUBLICATIONS

Bidwell et al., "Headset", Design U.S. Appl. No. 29/572,887, filed Aug. 1, 2016, 73 pages, [Not yet published/granted].

(Continued)

Primary Examiner — Susan Moon Lee

(74) *Attorney, Agent, or Firm* — Additon, Higgins & Pendleton, P.A.

(57) **CLAIM**

The ornamental design for an optical scanner, as shown in the accompanying drawings and described above.

DESCRIPTION

FIG. 1 is a front, upper right perspective view of an optical scanner in accordance with the present invention.

FIG. 2 is a front, lower left perspective view of the optical scanner of FIG. 1.

FIG. 3 is a front elevation view of the optical scanner of FIG. 1.

FIG. 4 is a rear elevation view of the optical scanner of FIG. 1.

FIG. 5 is a right elevation view of the optical scanner of FIG. 1.

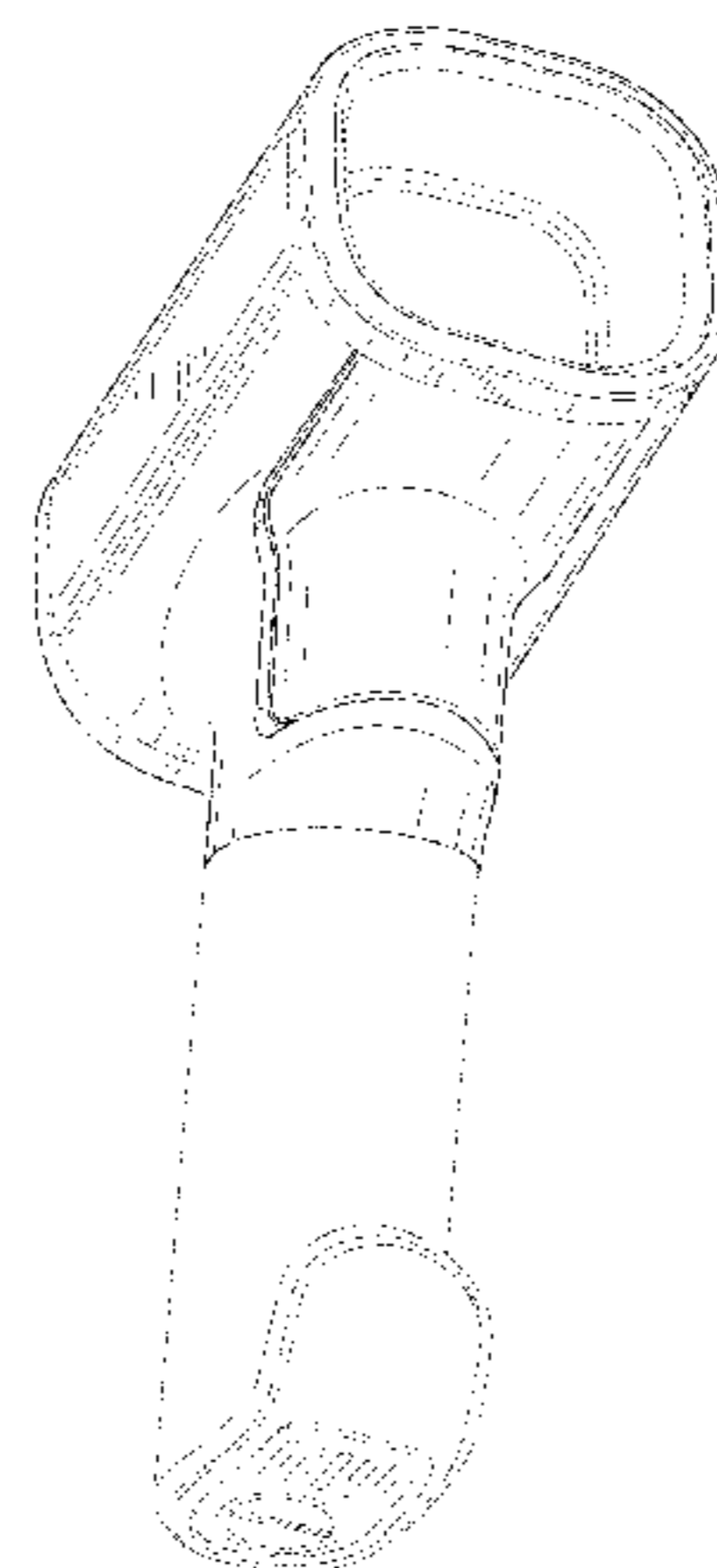
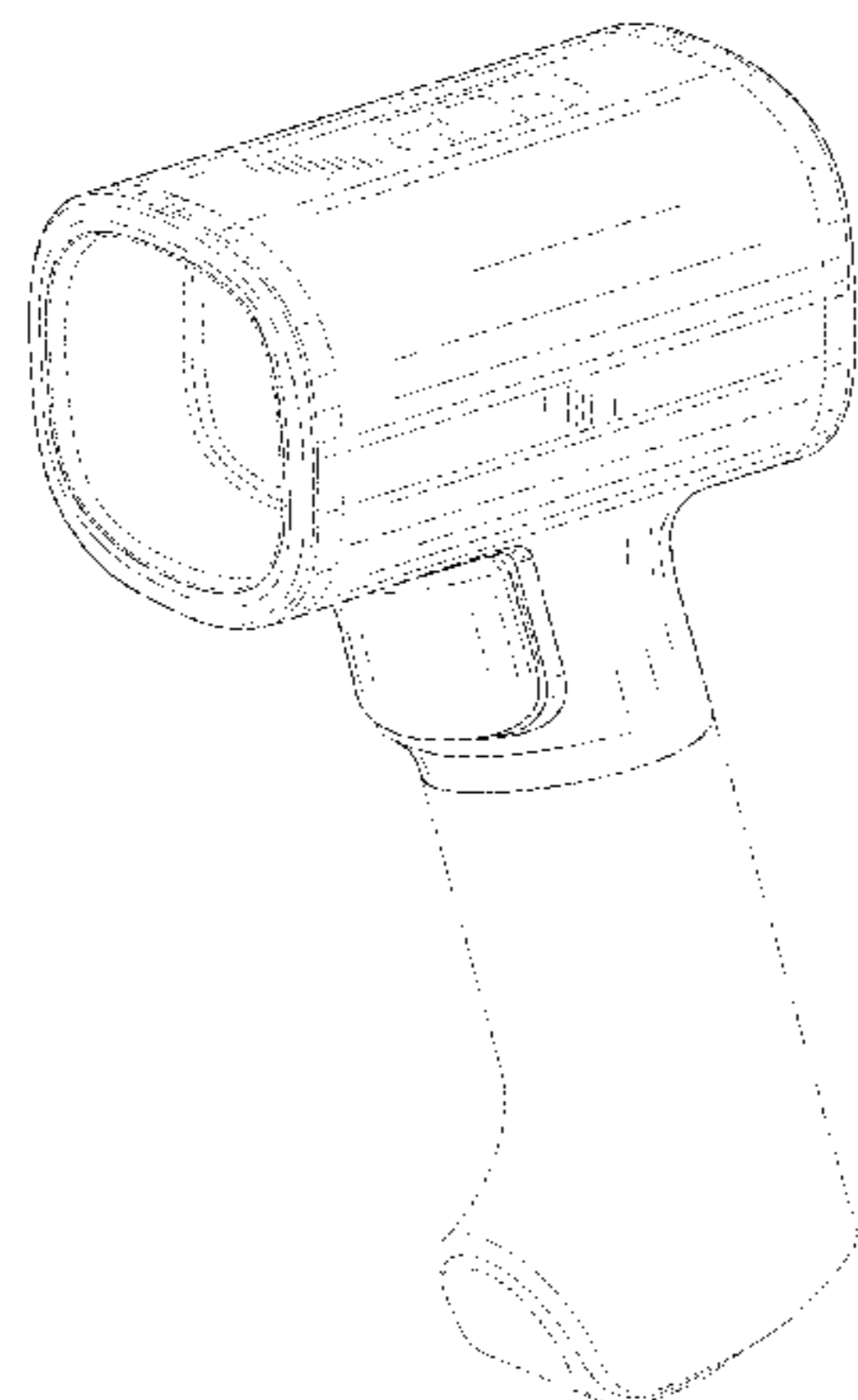
FIG. 6 is a left elevation view of the optical scanner of FIG. 1.

FIG. 7 is a top plan view of the optical scanner of FIG. 1; and,

FIG. 8 is a bottom plan view of the optical scanner of FIG. 1.

The broken lines depict unclaimed features of the optical scanner that are shown for illustrative purposes and form no part of the design claim. The dot-dash lines indicate the bounds of the claimed design.

1 Claim, 8 Drawing Sheets



(58) **Field of Classification Search**

CPC G06F 1/626; G06F 1/1626; G06F 1/1656;
 G06F 1/1632; G06F 1/1684; G06F
 1/1635; G06F 8/63; G06F 17/30091;
 G06F 9/4401; G06K 7/10881; G06K
 7/1098; G06K 7/10722; G06K 7/1404;
 G06K 7/0004; G06K 7/10633; G06K
 7/10851; G06K 7/1091; G06K 7/1092;
 G06K 7/1093; G06K 7/10; G06K 7/109;
 G06K 7/1417; G06K 9/228; G06K
 17/0022; G06K 17/00; G06K 2207/1011;
 G06K 2207/1013; G06K 2207/1016;
 G06K 2207/1018; G06K 2017/0051;
 G06K 2017/0067; G06K 2007/10524;
 G07G 1/0081; G07G 1/009; G06Q 20/20;
 G06Q 20/201; G06Q 20/202; G06Q
 20/203; G06Q 20/30; G06Q 20/32; G06Q
 20/322; G06Q 20/4014; G06Q 10/087;
 H04N 1/00127; H04N 1/00135; H04N
 1/00326; H04N 1/00334; H04N 1/00307;
 H04N 1/107; H04N 2201/0084; H04N
 2101/00; H04M 1/0249; H04M 1/0262;
 H04M 1/0266; H04M 1/18; H04M 1/23;
 H04M 1/236; H04B 1/3827; H04B
 1/3833; H04B 1/3877; H04B 1/3883;
 H04B 1/3888; H04B 2001/3894; H01M
 2/1066

See application file for complete search history.

(56) **References Cited**

U.S. PATENT DOCUMENTS

D317,154 S * 5/1991 Allgeier D14/428
 D362,435 S * 9/1995 Charych D14/428
 D400,199 S * 10/1998 Fitch D14/428
 D446,524 S * 8/2001 Bontly D14/426
 6,595,422 B1 * 7/2003 Doljack G06K 7/10722
 235/462.42
 D500,155 S * 12/2004 Lee D26/45

D518,057 S * 3/2006 Johnson D14/428
 D526,731 S * 8/2006 Cheung D26/45
 D570,843 S * 6/2008 Mazzone D14/426
 D584,438 S * 1/2009 Crawford D26/46
 D588,596 S * 3/2009 Mazzone D14/426
 D605,796 S * 12/2009 Crawford D26/45
 D673,706 S * 1/2013 Inskeep D26/45
 D673,707 S * 1/2013 Inskeep D26/45
 D711,029 S * 8/2014 Schnell D26/45
 D714,453 S * 9/2014 Mongin D24/185
 8,840,027 B2 * 9/2014 Chaumont G06K 7/10594
 235/462.2
 D759,870 S * 6/2016 Hine D26/45
 D788,341 S * 5/2017 Inskeep D26/45
 2001/0045466 A1 * 11/2001 Bontly G06K 7/10881
 235/472.01
 2003/0223227 A1 * 12/2003 Levine F21L 4/08
 362/183
 2006/0133089 A1 * 6/2006 Reid F21L 4/00
 362/294
 2010/0308116 A1 * 12/2010 Sani A45C 11/00
 235/472.01
 2015/0102109 A1 * 4/2015 Huck G06K 7/109
 235/462.14

OTHER PUBLICATIONS

Bidwell et al., "Headset", Design U.S. Appl. No. 29/572,890, filed Aug. 1, 2016, 65 pages, [Not yet published/granted].
 Memke et al. "Optical Scanner", Design U.S. Appl. No. 29/572,896, filed Aug. 1, 2016, 57 pages, [Not yet published/granted].
 Bidwell et al. "Printer", Design U.S. Appl. No. 29/572,909, filed Aug. 1, 2016, 51 pages, [Not yet published/granted].
 Memke et al. "Optical Scanner and Base", Design U.S. Appl. No. 29/572,902, filed Aug. 1, 2016, 57 pages, [Not yet published/granted].
 Bidwell et al. "Optical Scanner", Design U.S. Appl. No. 29/572,904, filed Aug. 1, 2016, 84 pages, [Not yet published/granted].
 Bidwell et al. "Optical Scanner and Handle", Design U.S. Appl. No. 29/572,907, filed Aug. 1, 2016, 130 pages, [Not yet published/granted].

* cited by examiner

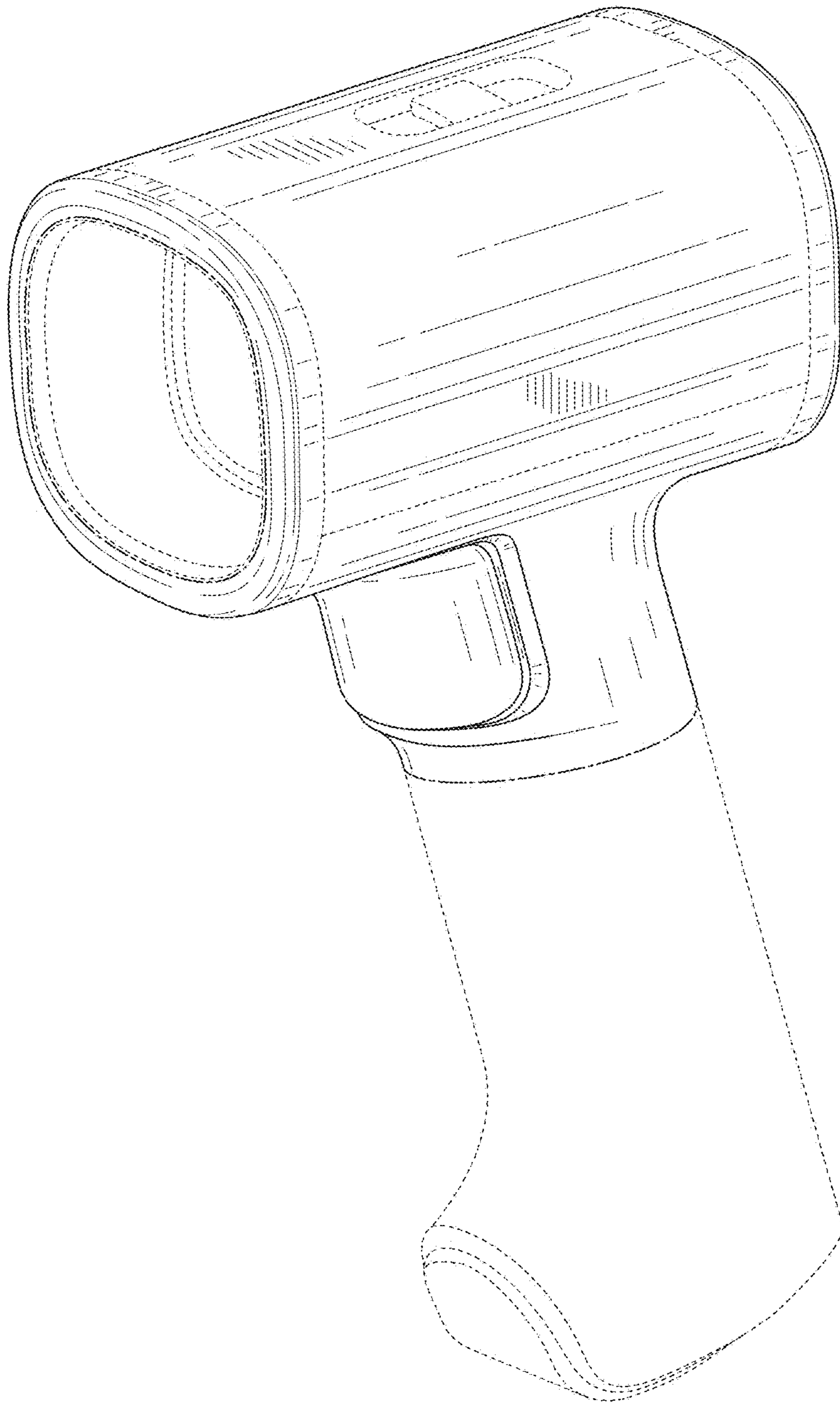


FIG. 1

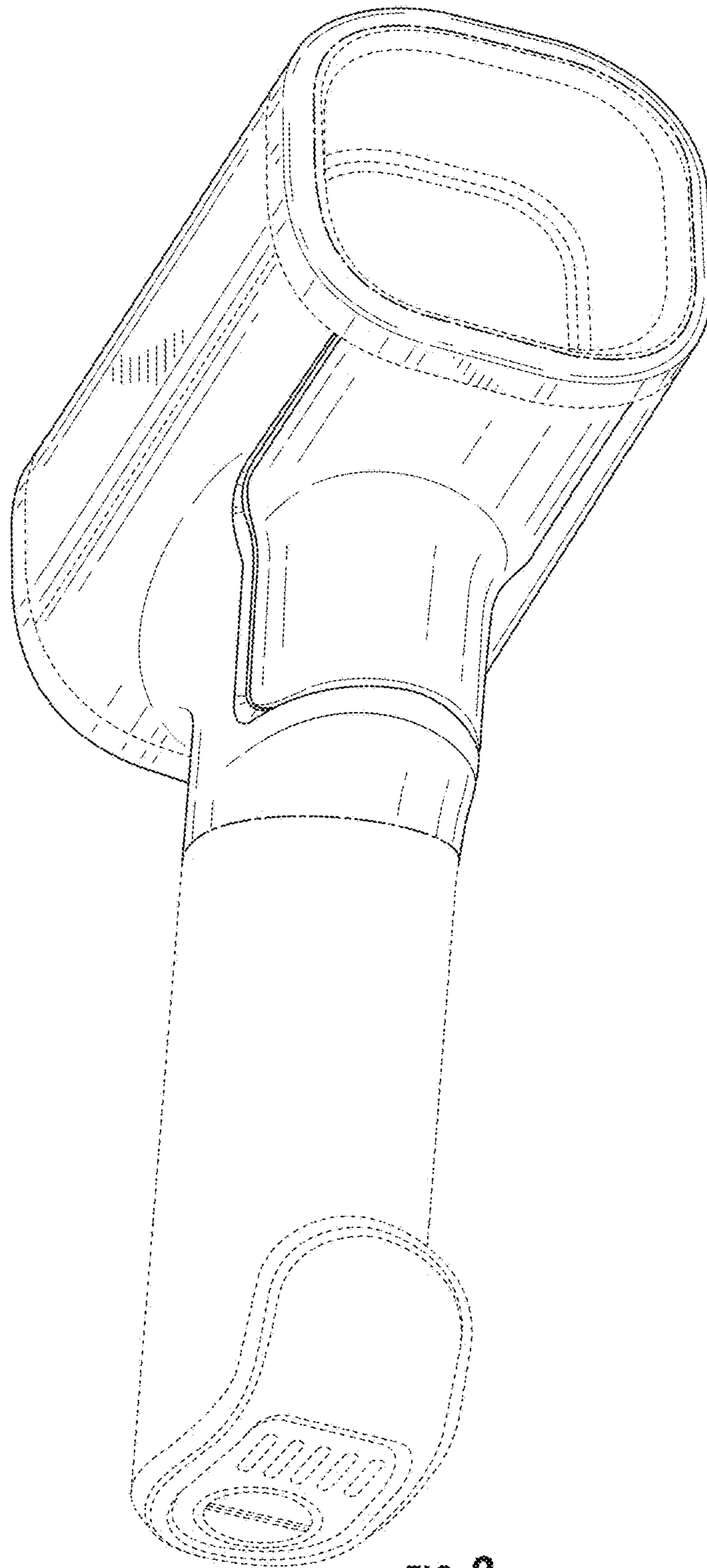


FIG. 2

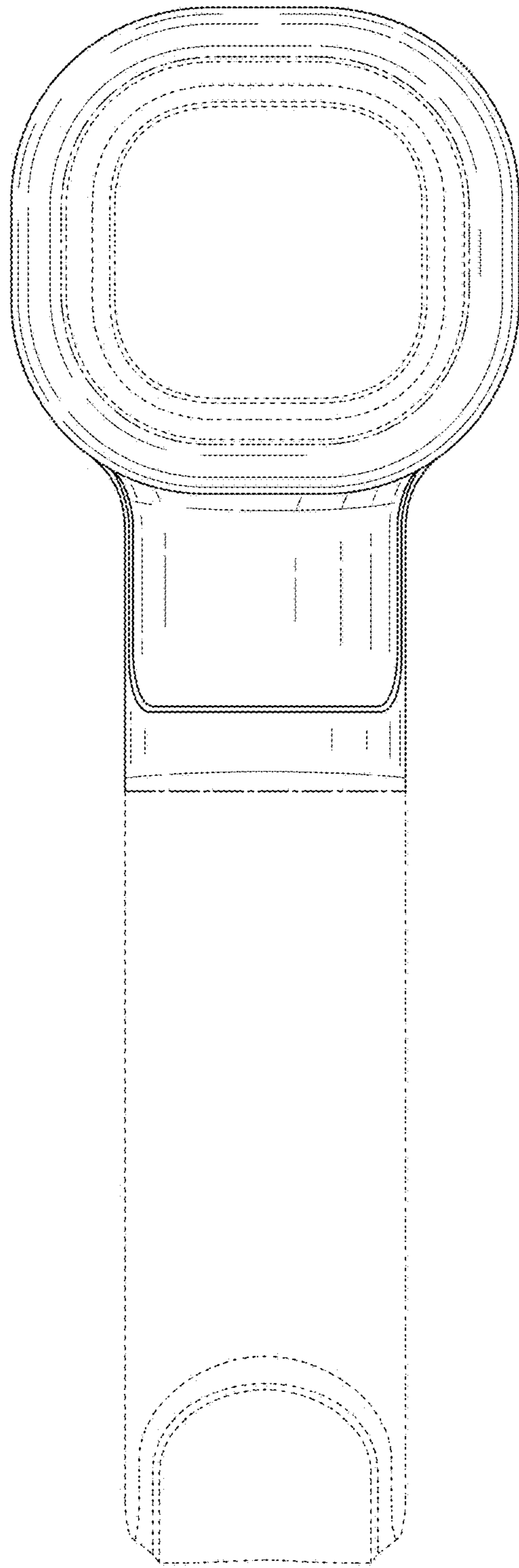


FIG. 3

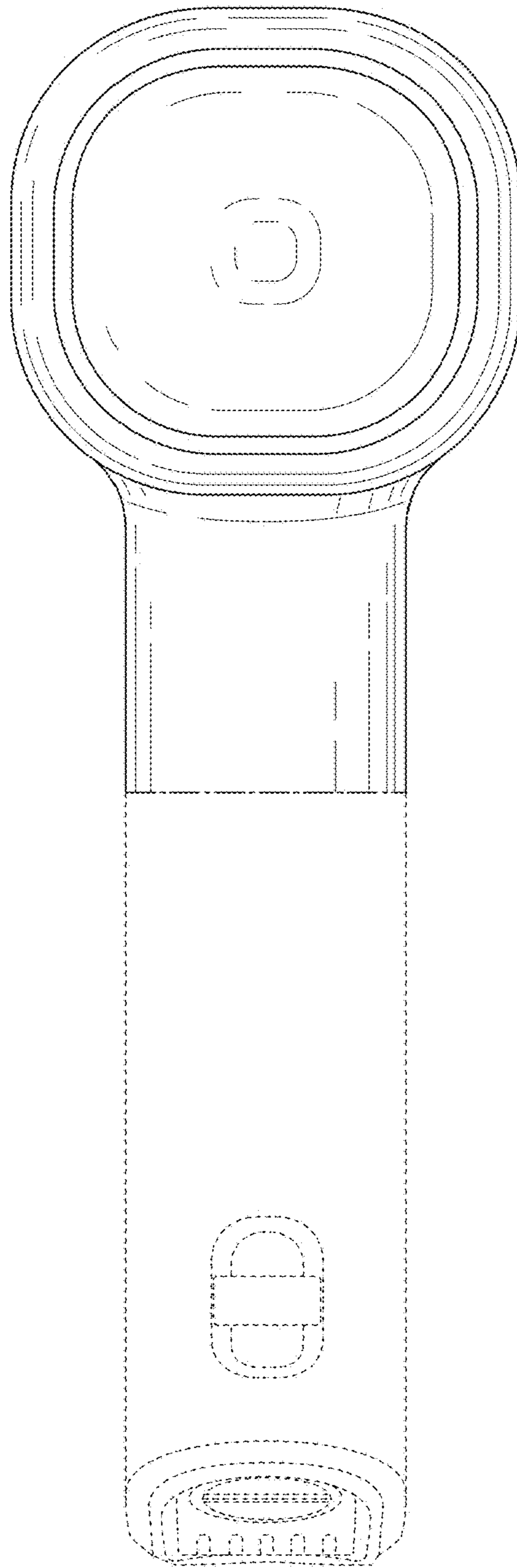


FIG. 4

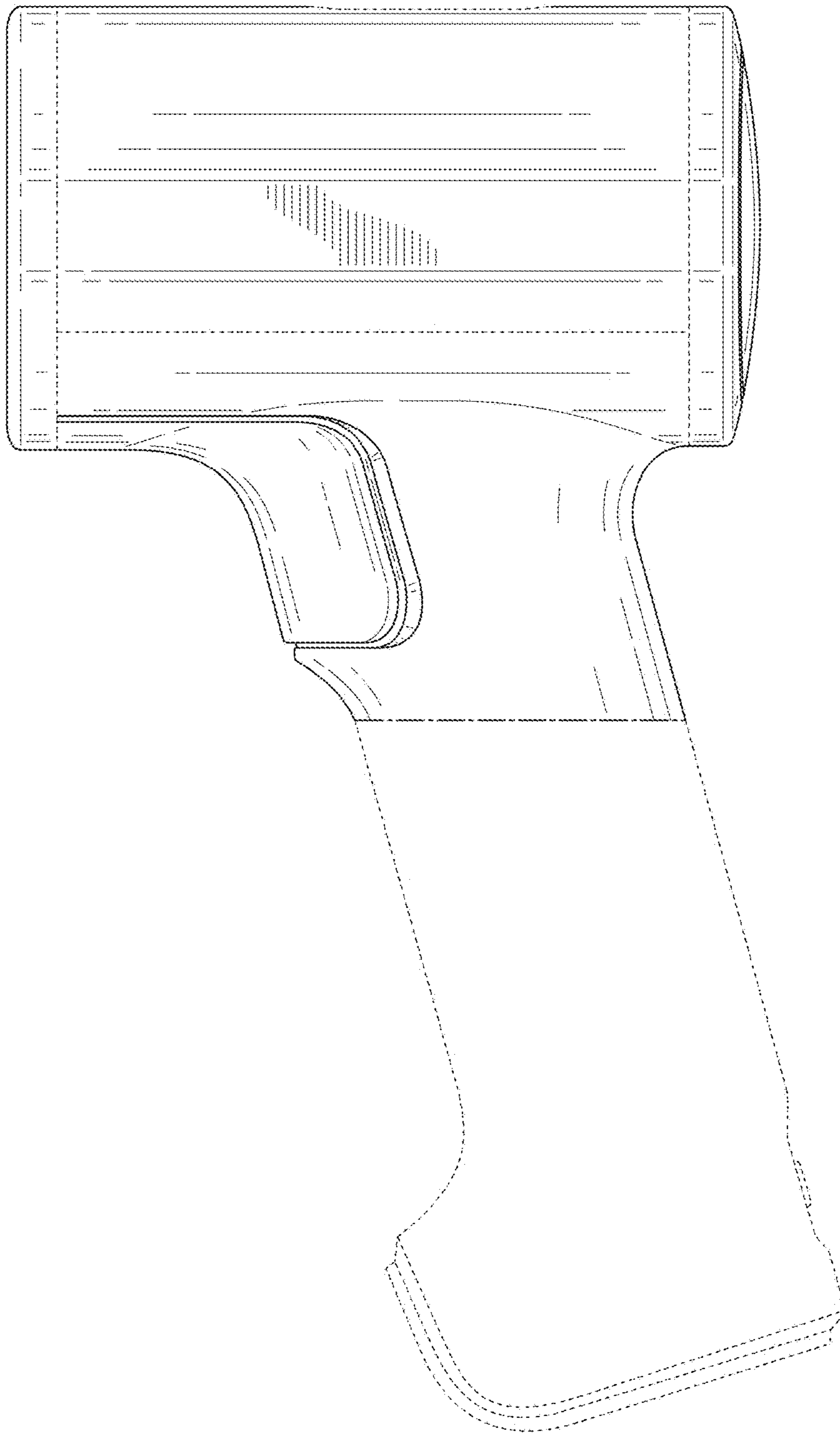


FIG. 5

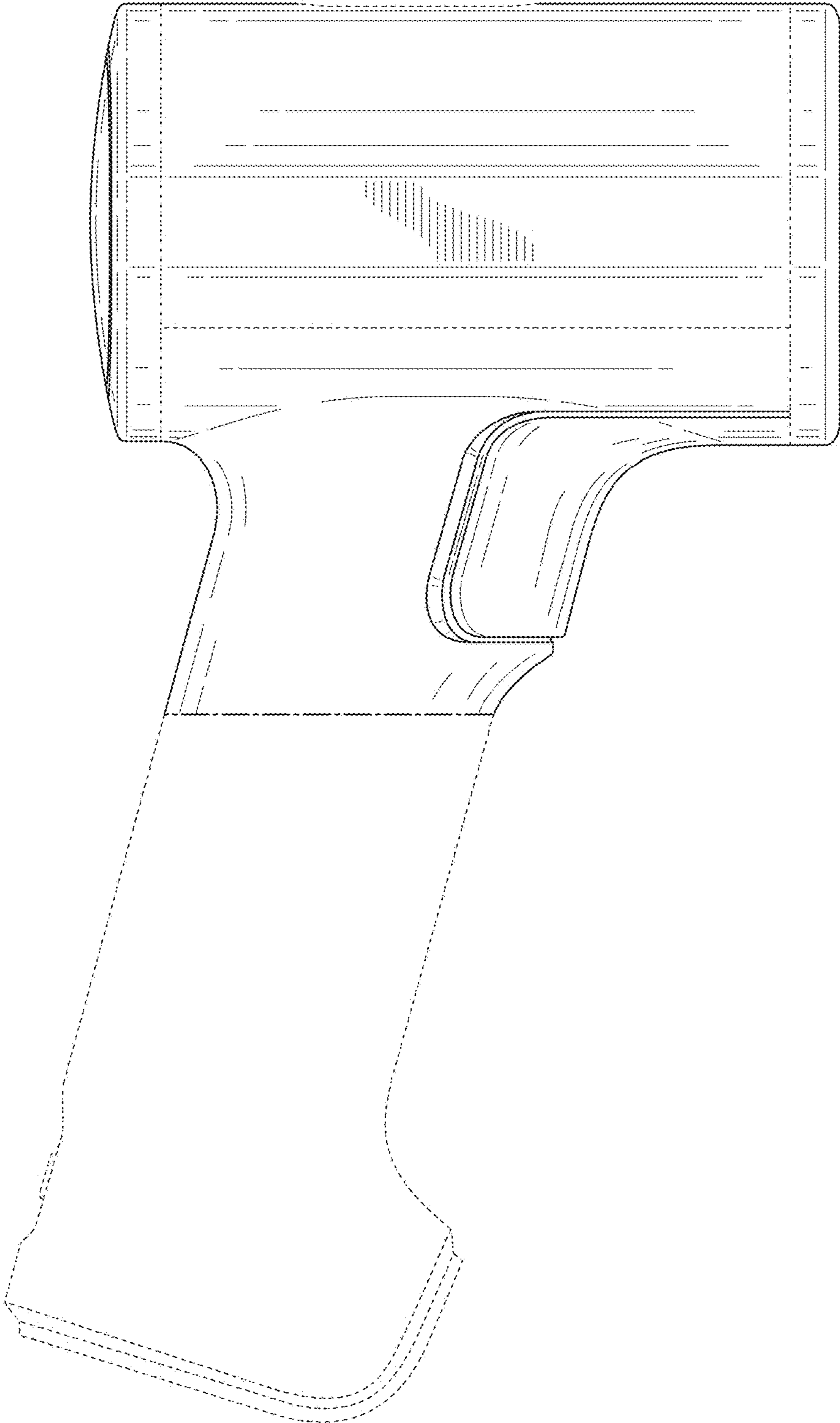


FIG. 6

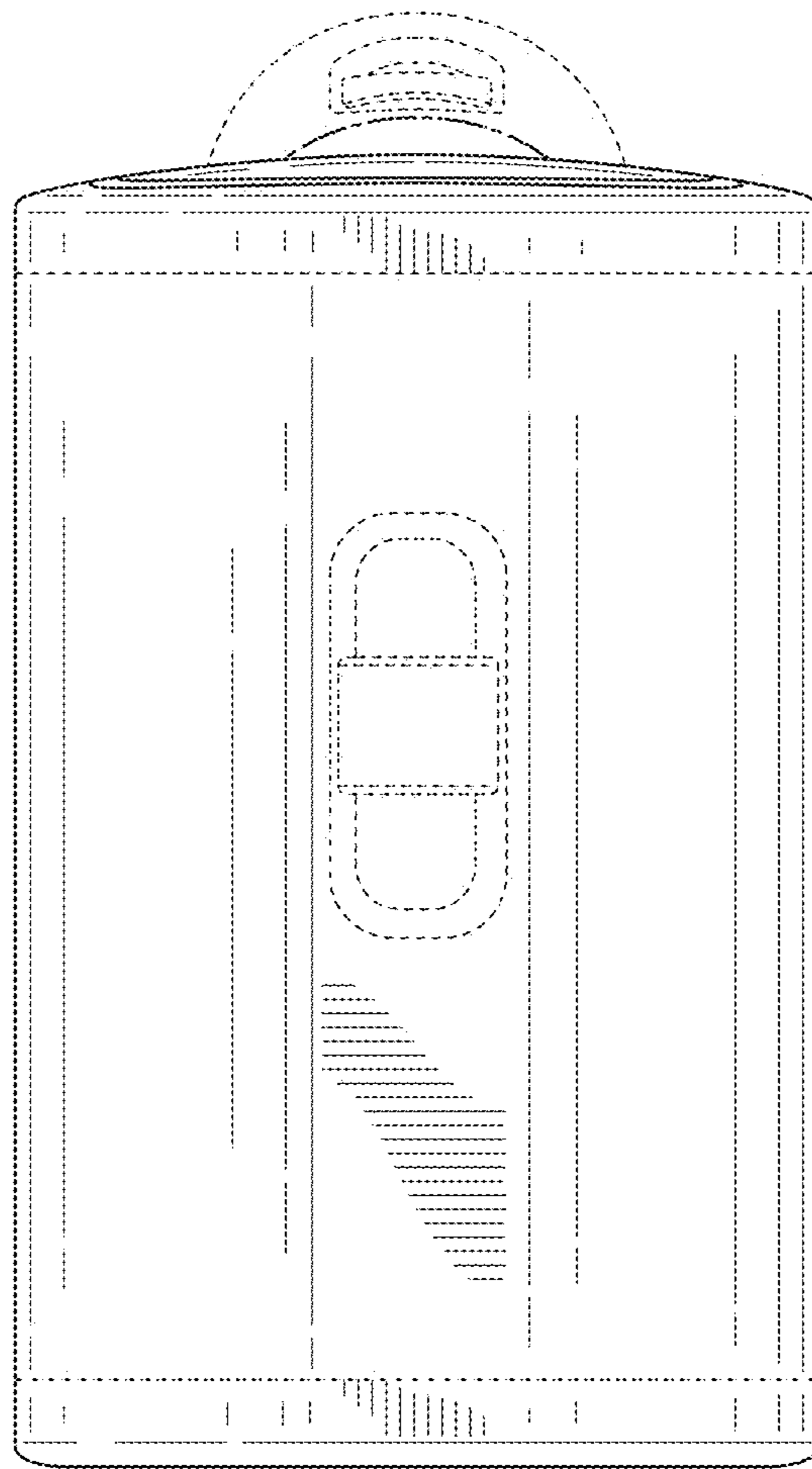


FIG. 7

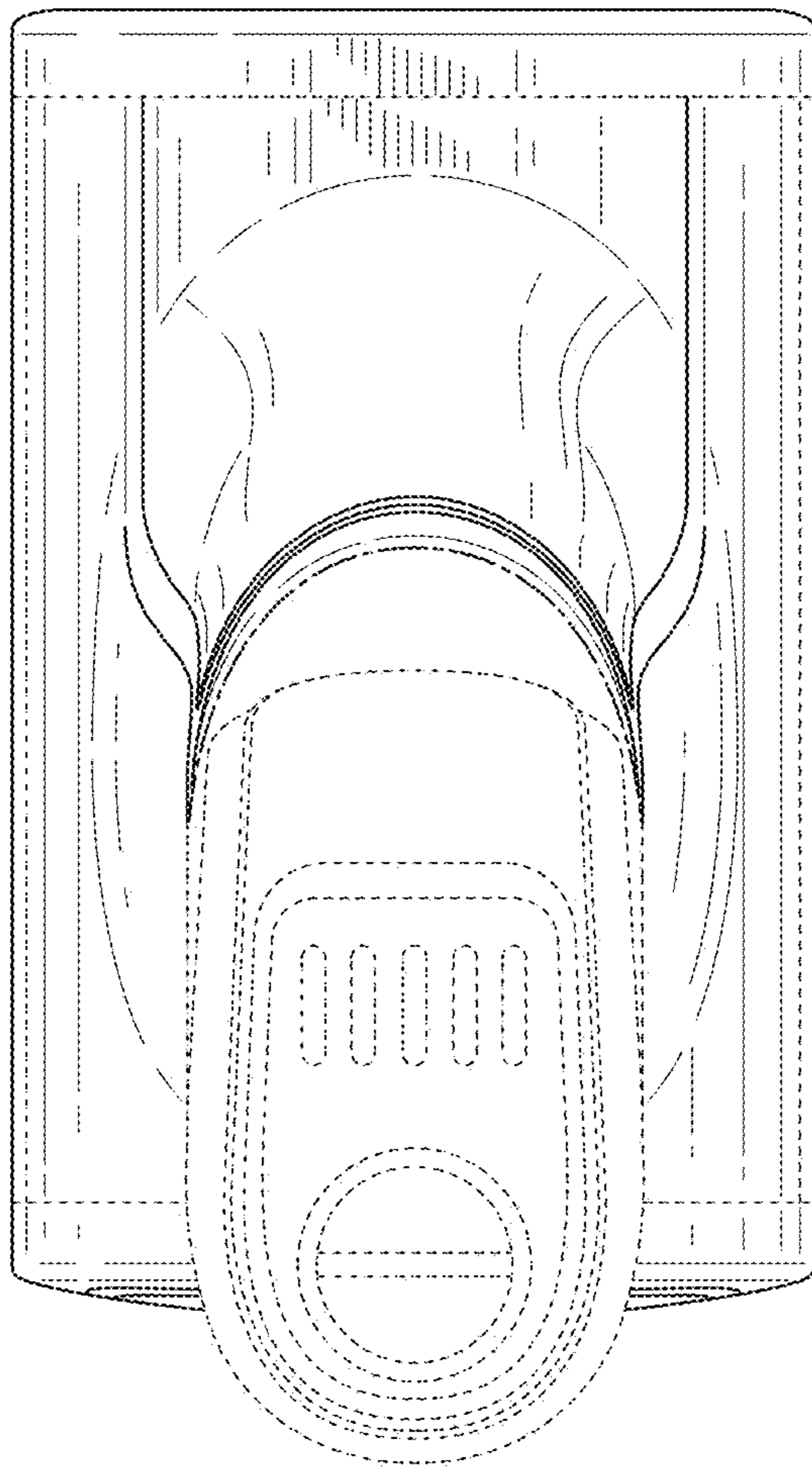


FIG. 8