



US00D832844S

(12) **United States Design Patent**
Lim

(10) **Patent No.:** **US D832,844 S**

(45) **Date of Patent:** **** Nov. 6, 2018**

(54) **WEARABLE DATA CAPTURE DEVICE**

(71) Applicant: **SYMBOL TECHNOLOGIES, LLC**,
Lincolnshire, IL (US)

(72) Inventor: **Sunghun Lim**, Bethpage, NY (US)

(73) Assignee: **Symbol Technologies, LLC**, Holtsville,
NY (US)

(**) Term: **15 Years**

(21) Appl. No.: **29/570,622**

(22) Filed: **Jul. 11, 2016**

(51) **LOC (11) Cl.** **14-02**

(52) **U.S. Cl.**
USPC **D14/427**

(58) **Field of Classification Search**
USPC D14/420, 426-430, 453, 346, 341, 347,
D14/412, 498, 507, 371, 344, 125-129,
D14/138 R-138 G, 496, 510; D13/107,
D13/184; 358/473; 235/462.43, 462.45,
235/462.47, 462.48, 462.44, 462.46, 487,
235/472.01, 472.02, 440, 486, 462.01,
235/462.15, 462.21, 412, 462.11, 462.49,
235/385, 454, 435, 439-441, 375, 444,
235/456, 459, 462.14, 462.17, 462.2, 490,
235/494, 476, 462.22, 462.32, 462.35;
16/110.1, 430, 431; 439/133, 135;
709/219, 201; 710/73; 320/114, 115,
320/123; 361/679, 679.03; 382/313,
382/321, 318; 455/575.1, 561, 572,
455/575.6; 705/17, 14.64, 14.65, 21;
341/20; 362/103, 157, 158, 171-174,
362/183-208; 250/370.8, 370.1, 215,
250/216, 566; 348/E5.137, E5.143,
348/E9.026; 345/179, 156; 463/36;
14/2; 73/702; 600/300, 485; D3/218;
224/267, 575; 340/5.92; D24/186, 158;

(Continued)

(56) **References Cited**

U.S. PATENT DOCUMENTS

5,191,197 A * 3/1993 Metlitsky G06K 7/10564
235/462.44

D335,661 S * 5/1993 Shepard D14/427
(Continued)

Primary Examiner — Susan Moon Lee

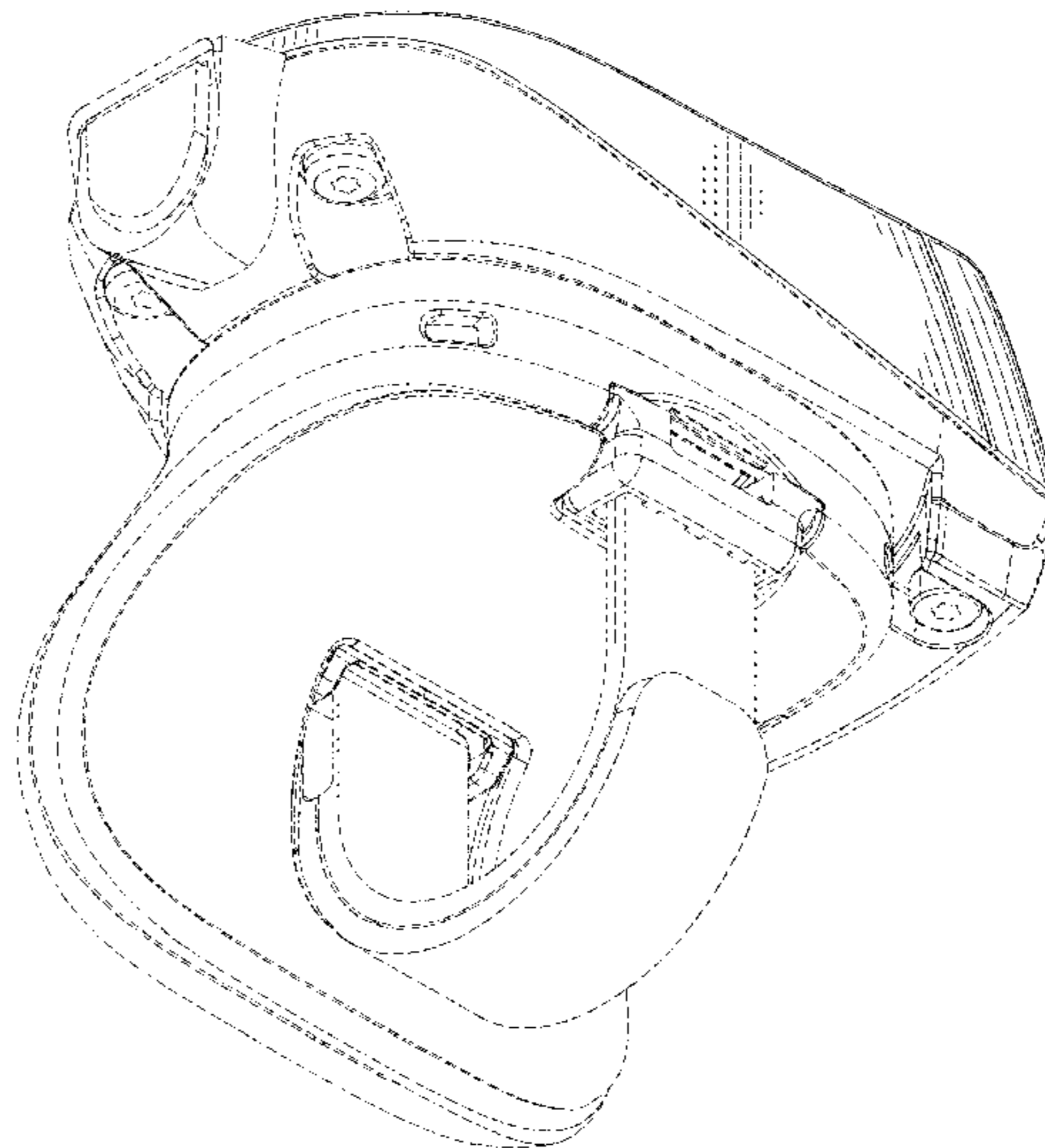
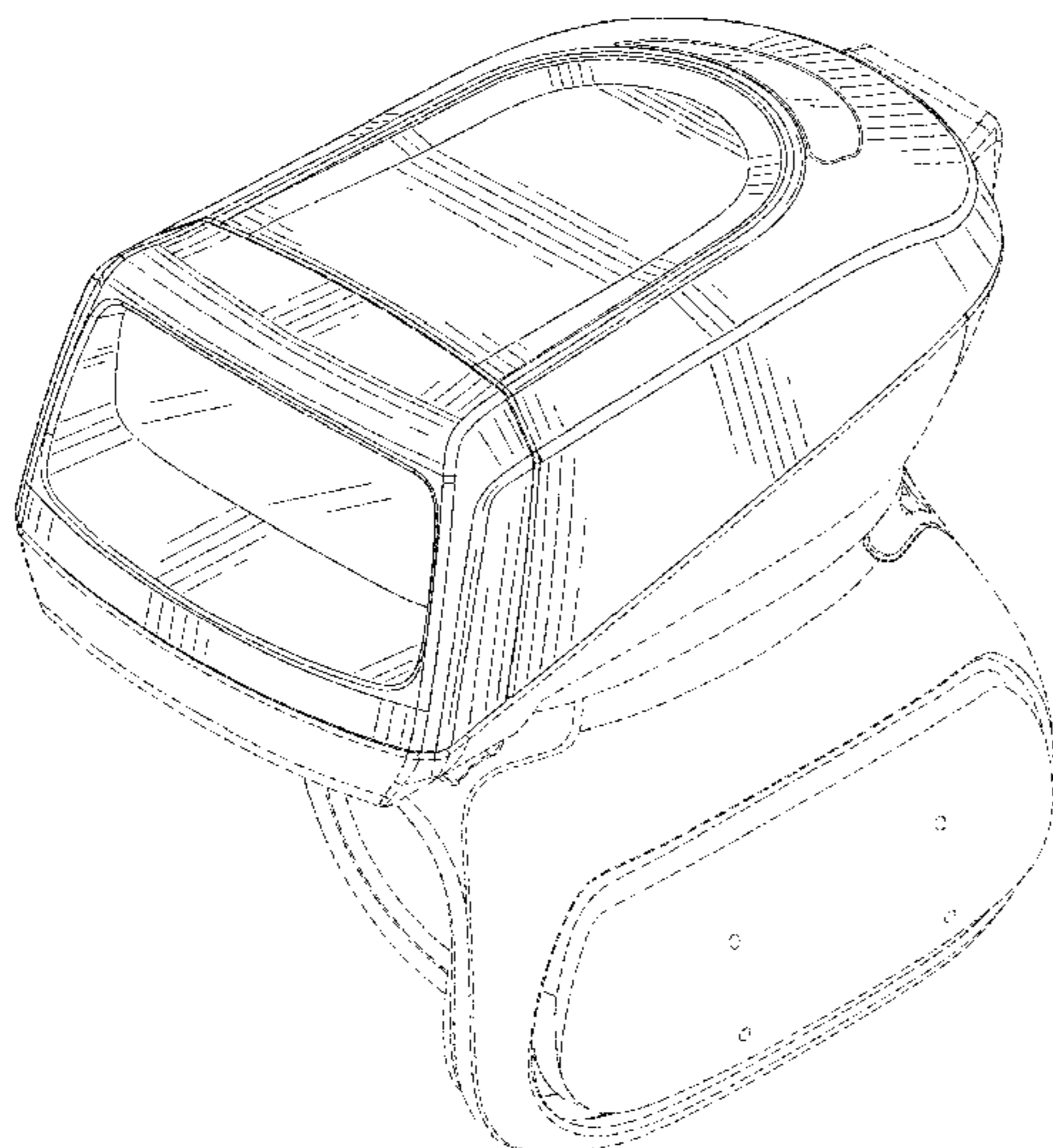
(57) **CLAIM**

I claim the ornamental design for a wearable data capture device, as shown and described.

DESCRIPTION

FIG. 1 is a first perspective view of a wearable data capture device with a rotatable assembly in a first position; FIG. 2 is a second perspective view thereof with the rotatable assembly in the first position; FIG. 3 is the first perspective view thereof with the rotatable assembly in a second position different than the first position; FIG. 4 is the second perspective view thereof with the rotatable assembly in the second position; FIG. 5 is a top view thereof with the rotatable assembly in the first position; FIG. 6 is a bottom view thereof with the rotatable assembly in the first position; FIG. 7 is a front view thereof with the rotatable assembly in the first position; FIG. 8 is a back view thereof with the rotatable assembly in the first position; FIG. 9 is a first side view thereof with the rotatable assembly in the first position; and, FIG. 10 is a second side view thereof with the rotatable assembly in the first position. The broken lines are directed to environment and are for illustrative purposes only. Broken lines form no part of the design claimed.

1 Claim, 10 Drawing Sheets



US D832,844 S

(58) **Field of Classification Search**
 USPC D10/65, 57, 81, 78, 98, 70; D26/37-50,
 D26/24; 396/427
 CPC G06K 7/04; G06K 7/1404; G06K 7/1447;
 G06K 7/10396; G06K 7/0004; G06K
 7/0017; G06K 7/002; G06K 7/10881;
 G06K 7/10386; G06K 7/10009; G06K
 7/01; G06K 7/10891; G06K
 7/10544-7/1099; G06K 2007/10524;
 G06K 2007/10534; G06F 1/163; G06F
 1/1698; G06F 1/1684; G06F 2203/0331;
 G06Q 20/204; G06Q 20/208; G06Q
 20/30; G06Q 20/322; G06Q 20/203;
 G06Q 20/343; A45F 5/00; A45F
 2005/002; A45F 2005/008; A45F
 2200/0516; A45F 2200/0525; A45F
 2200/0533; A45F 2200/0508; H04N 5/74;
 H04N 9/3129; H04N 9/3141; H01H
 2009/0221; A47F 9/046; A47F 9/047;
 G07G 1/0045; G04N 5/23238; G04N
 5/2252; G04N 5/2251; G03B 17/02;
 B25H 5/00; B66F 7/28; G02B 26/10;
 G02B 26/106; G07F 11/002; G07F 11/02
 See application file for complete search history.

(56) **References Cited**
 U.S. PATENT DOCUMENTS

D335,662 S * 5/1993 Shepard D14/427
 D342,245 S 12/1993 Krichever et al.
 5,340,972 A * 8/1994 Sandor G06K 7/10564
 235/462.44
 5,448,050 A * 9/1995 Kostizak G06F 3/03543
 235/440
 5,514,861 A * 5/1996 Swartz G06F 1/163
 235/462.44
 D372,234 S * 7/1996 LaManna D14/427
 5,550,366 A * 8/1996 Roustaei G06K 7/10891
 235/455
 5,576,530 A * 11/1996 Hagerty G06K 7/10752
 235/462.47
 5,587,577 A * 12/1996 Schultz B60R 11/02
 235/462.44
 D384,048 S * 9/1997 Myers D14/411
 D385,855 S * 11/1997 Ronzani D14/344
 D391,250 S 2/1998 Swift et al.

5,808,289 A * 9/1998 Becker G06K 7/10891
 235/462.01
 6,015,090 A * 1/2000 Swartz G06K 7/10861
 235/462.32
 6,036,093 A * 3/2000 Schultz G06F 1/163
 235/462.43
 D454,551 S * 3/2002 Bonadei D10/31
 D462,964 S 9/2002 Croley et al.
 7,140,546 B1 * 11/2006 Terlizzi G06K 7/10881
 235/472.01
 D554,641 S 11/2007 Miller et al.
 D585,066 S * 1/2009 Morris D14/427
 7,762,731 B2 * 7/2010 Arbuckle G03B 17/08
 277/628
 7,942,326 B2 * 5/2011 Miller G06K 7/0004
 235/440
 D654,597 S * 2/2012 Hiramura D24/186
 8,196,787 B2 * 6/2012 Strandberg A45F 5/00
 2/16
 D743,397 S * 11/2015 Ciabattoni D14/420
 D755,181 S * 5/2016 Mistkawi D14/420
 9,679,180 B2 * 6/2017 Lim G06K 7/10891
 D800,120 S * 10/2017 Ciabattoni D14/420
 D808,391 S * 1/2018 Schooneveldt D14/426
 D816,056 S * 4/2018 Klein D14/149
 2006/0289771 A1 * 12/2006 White G06K 7/10891
 250/370.1
 2008/0054039 A1 * 3/2008 Wulff A45F 5/00
 224/575
 2008/0078837 A1 * 4/2008 Morris G06K 7/10881
 235/462.44
 2008/0078838 A1 * 4/2008 Morris G06K 7/10881
 235/462.44
 2008/0129532 A1 * 6/2008 Bellows G06K 7/0004
 340/4.31
 2009/0266898 A1 * 10/2009 Miller G06K 7/0004
 235/472.01
 2010/0176166 A1 * 7/2010 Siagri A44C 5/0007
 224/271
 2010/0277330 A1 * 11/2010 Gentilini G06K 7/10881
 340/679
 2013/0038985 A1 * 2/2013 Powell G06K 7/109
 361/679.01
 2015/0371071 A1 * 12/2015 Ciabattoni G06K 9/20
 235/454
 2016/0063293 A1 * 3/2016 Sun G06K 7/10891
 235/462.44
 2016/0180132 A1 * 6/2016 Lim G06K 7/10891
 235/462.45

* cited by examiner

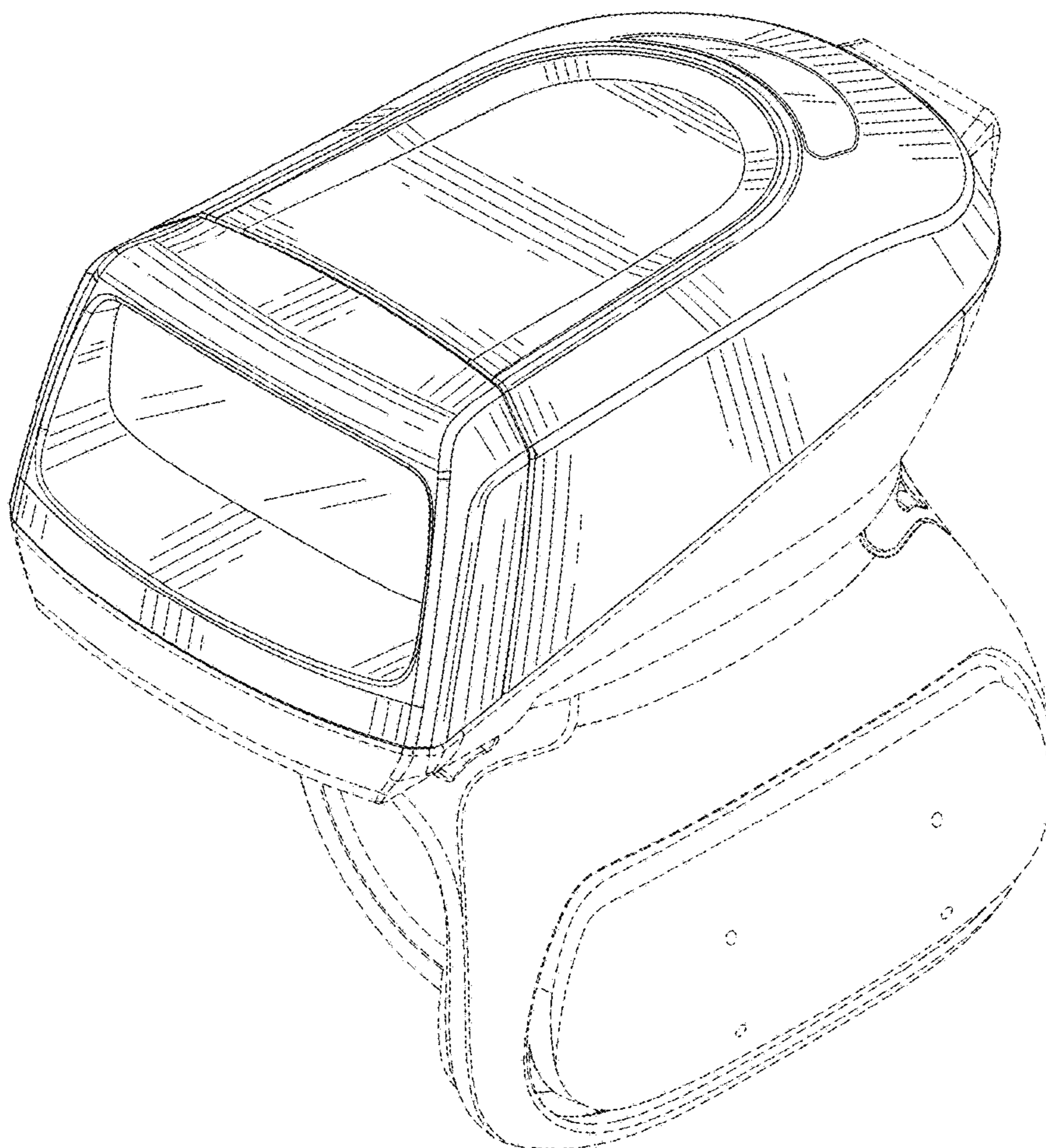


FIG. 1

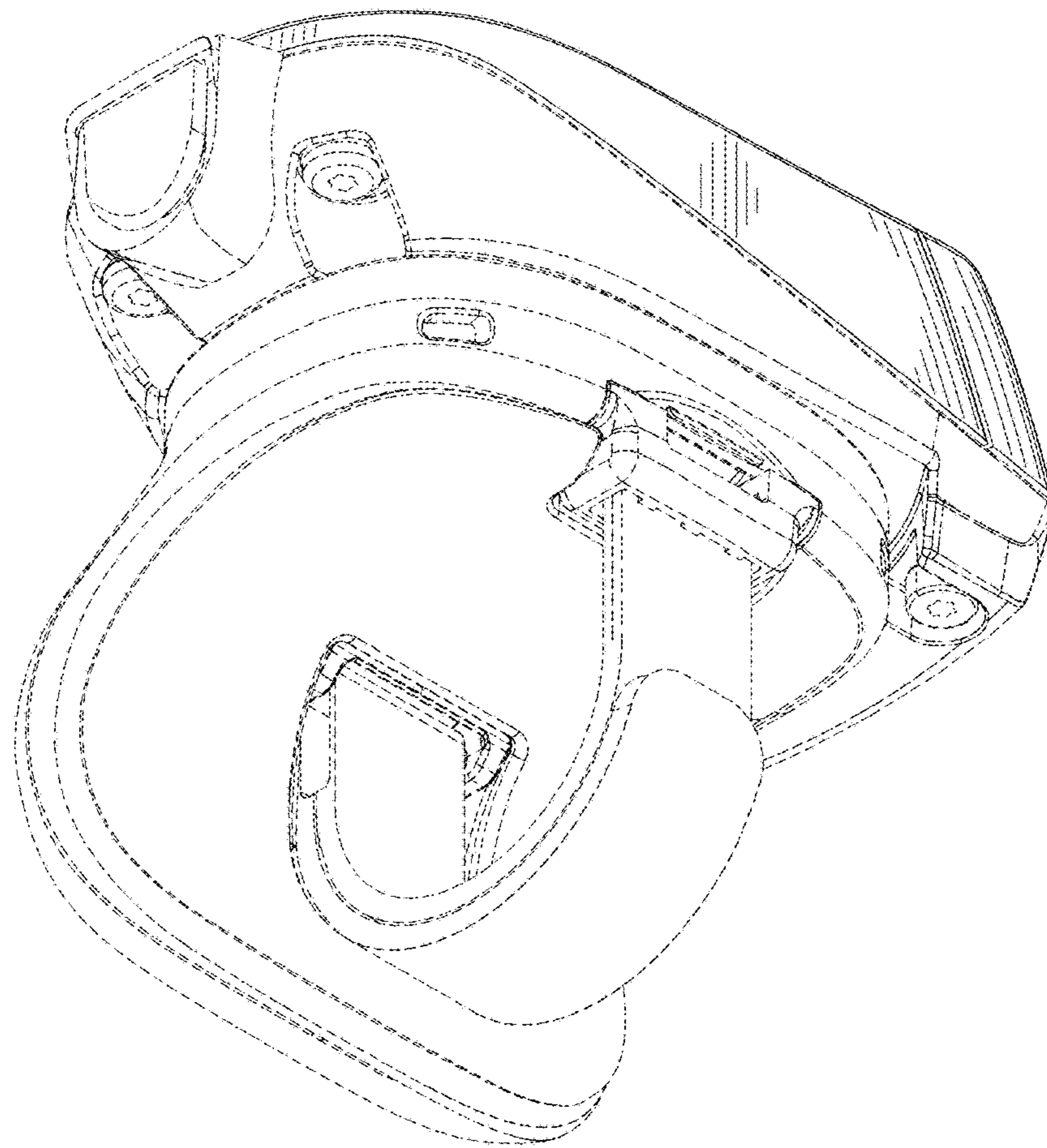


FIG. 2

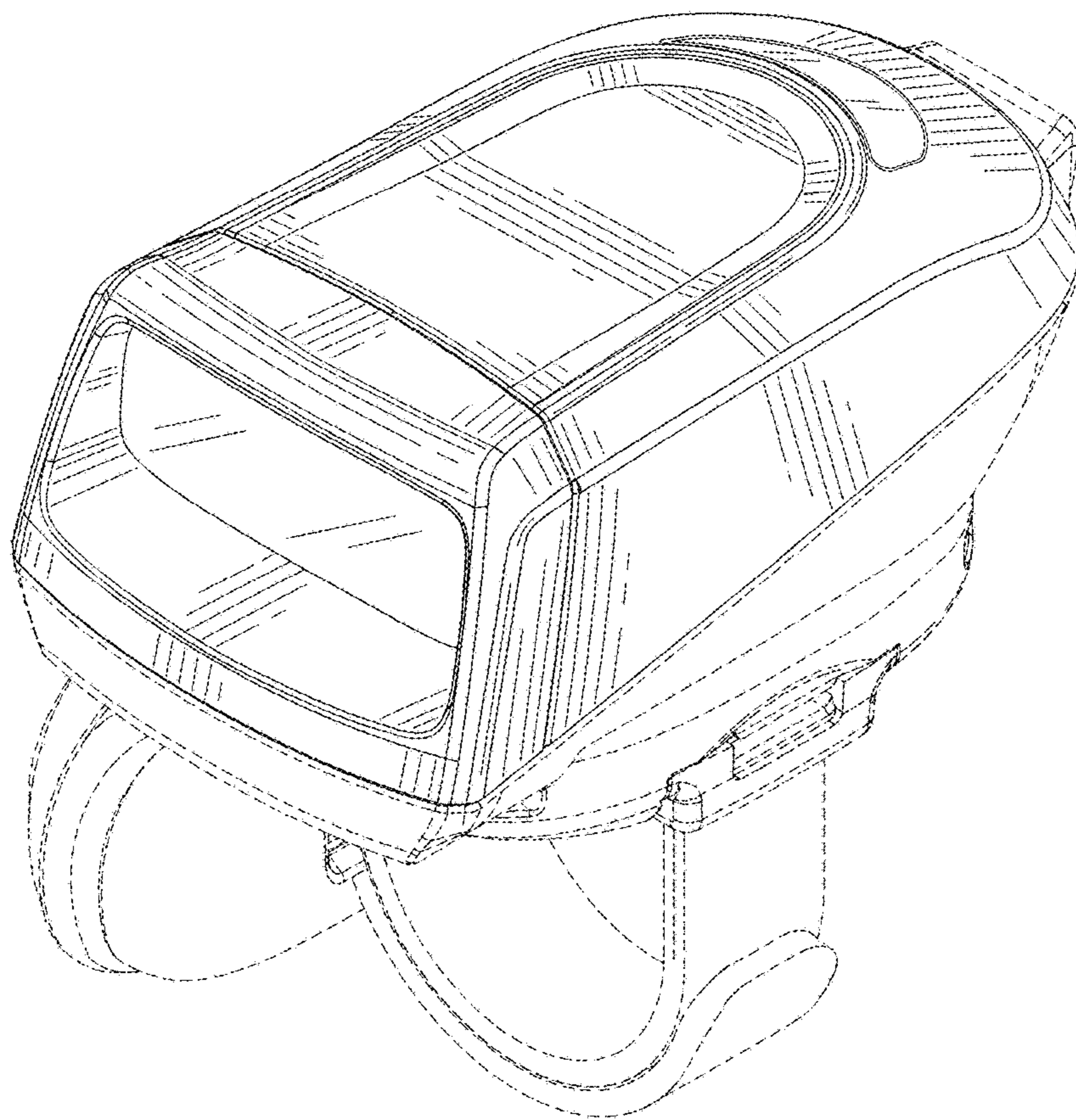


FIG. 3

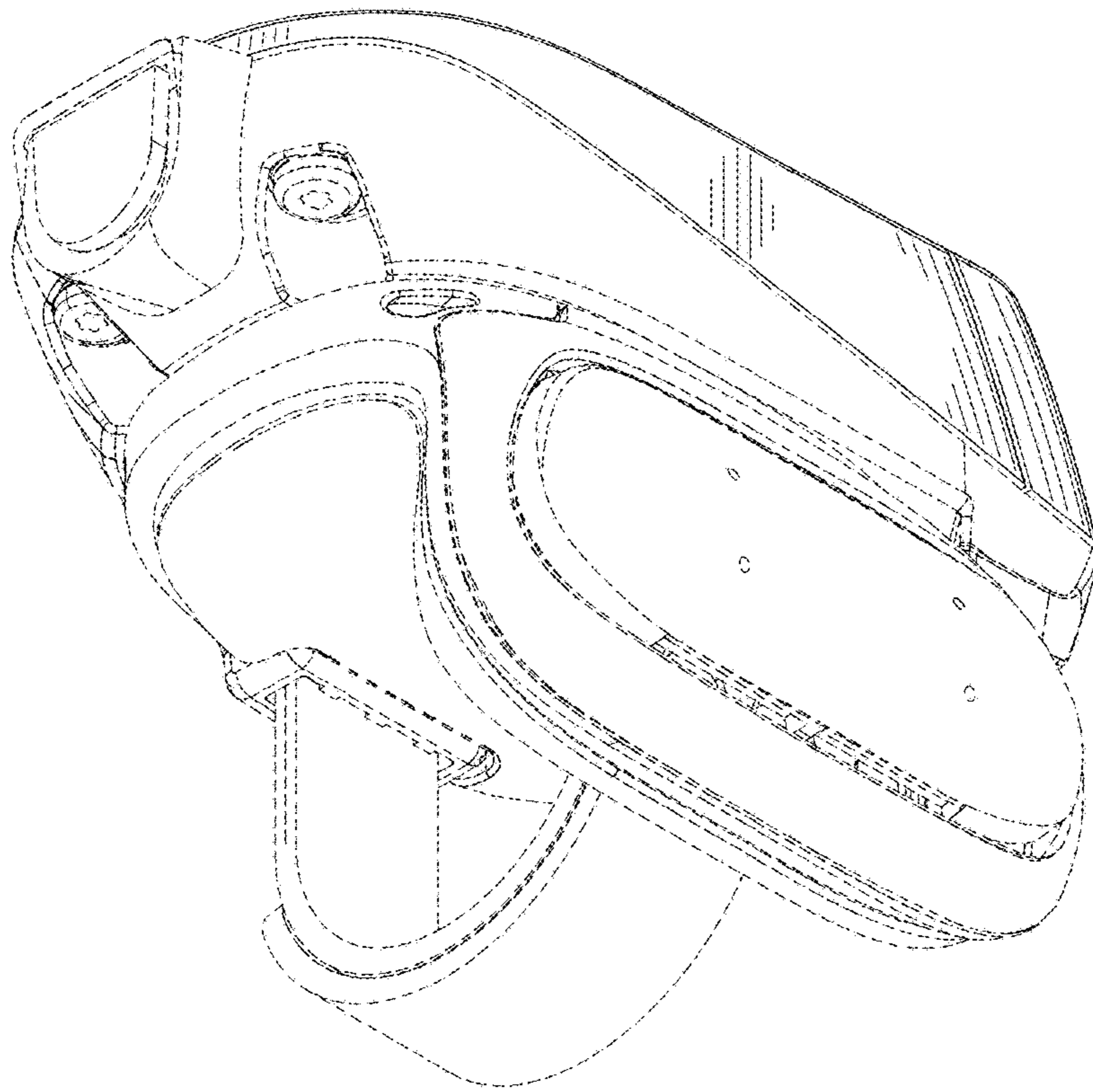


FIG. 4

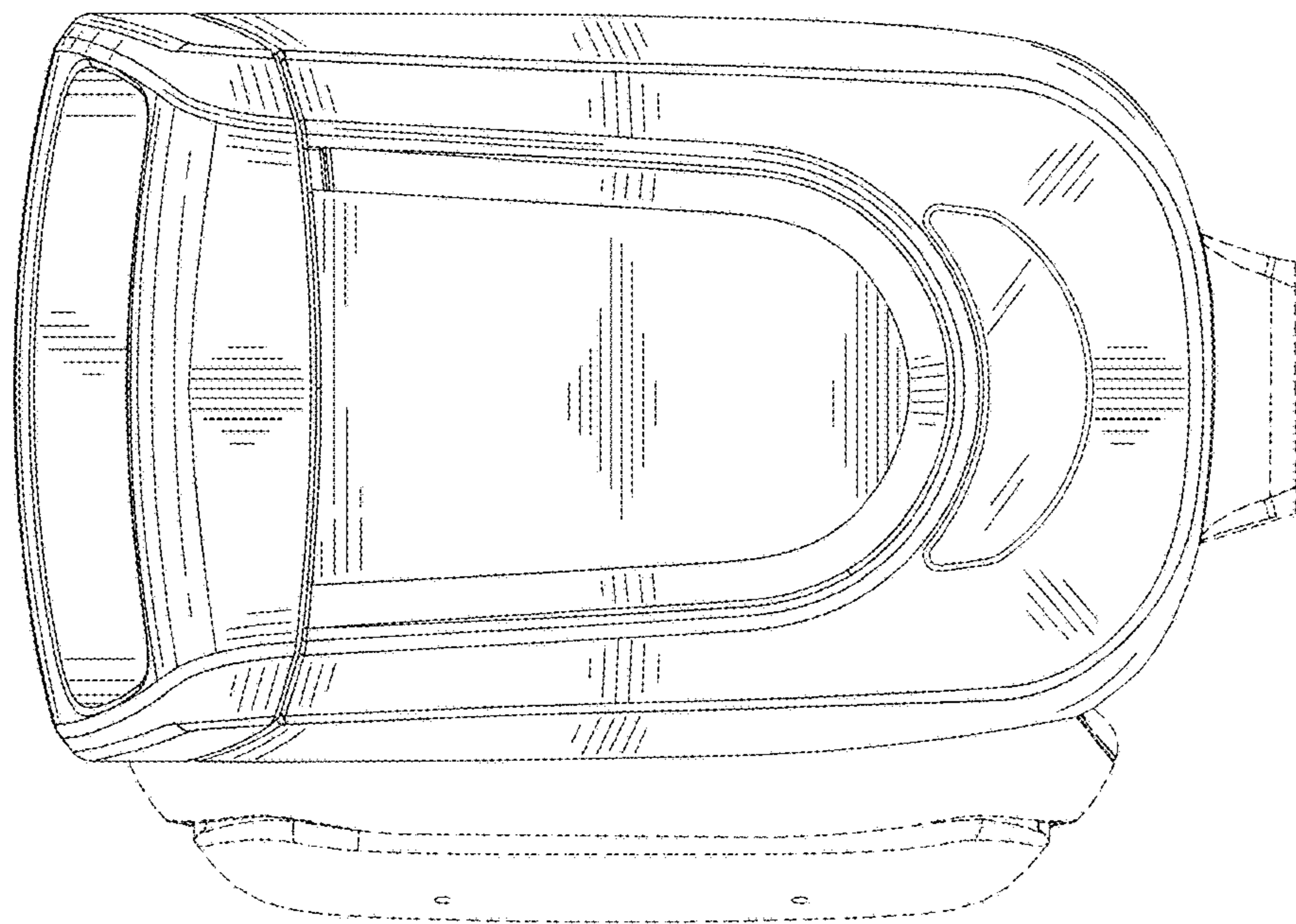


FIG. 5

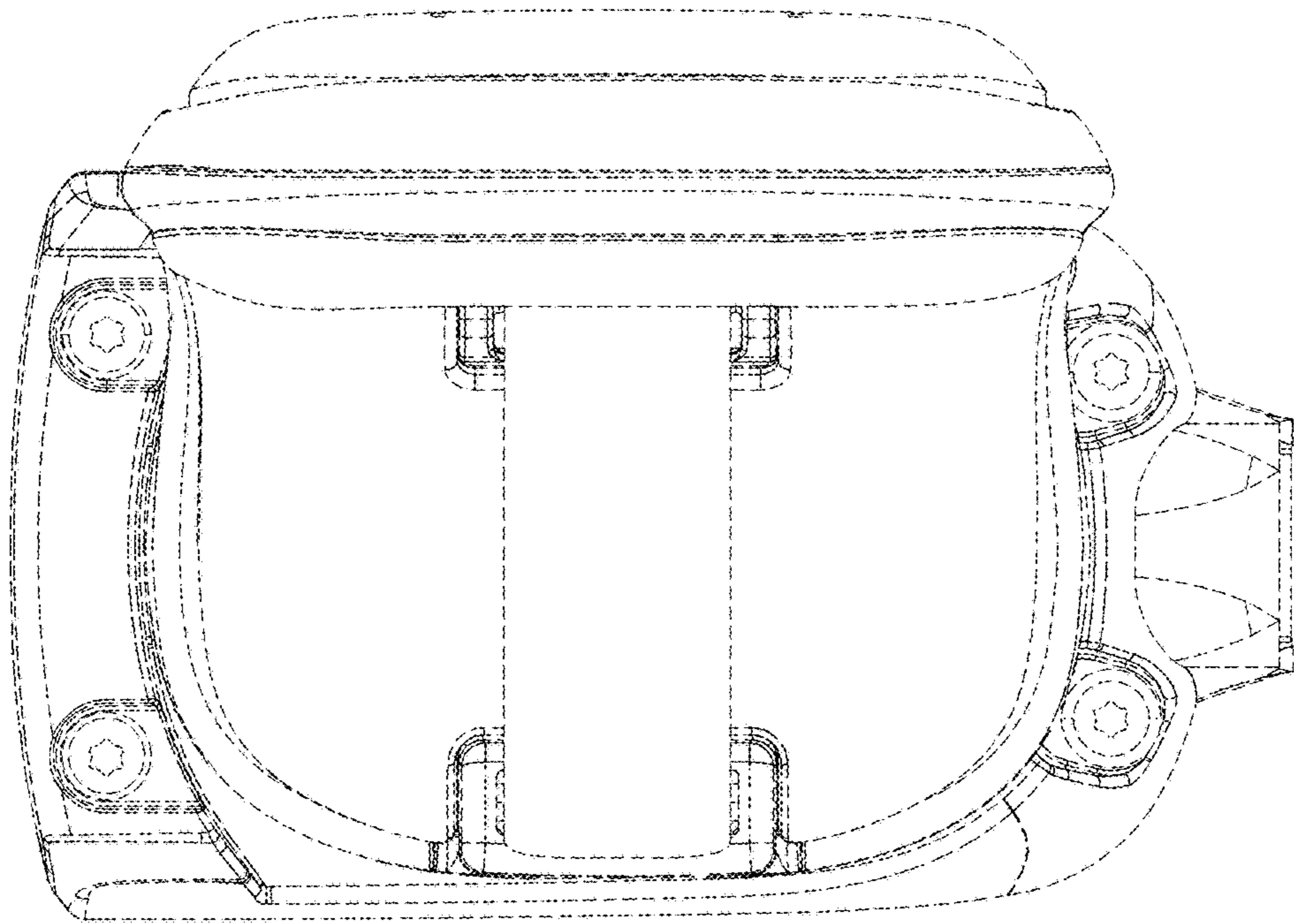


FIG. 6

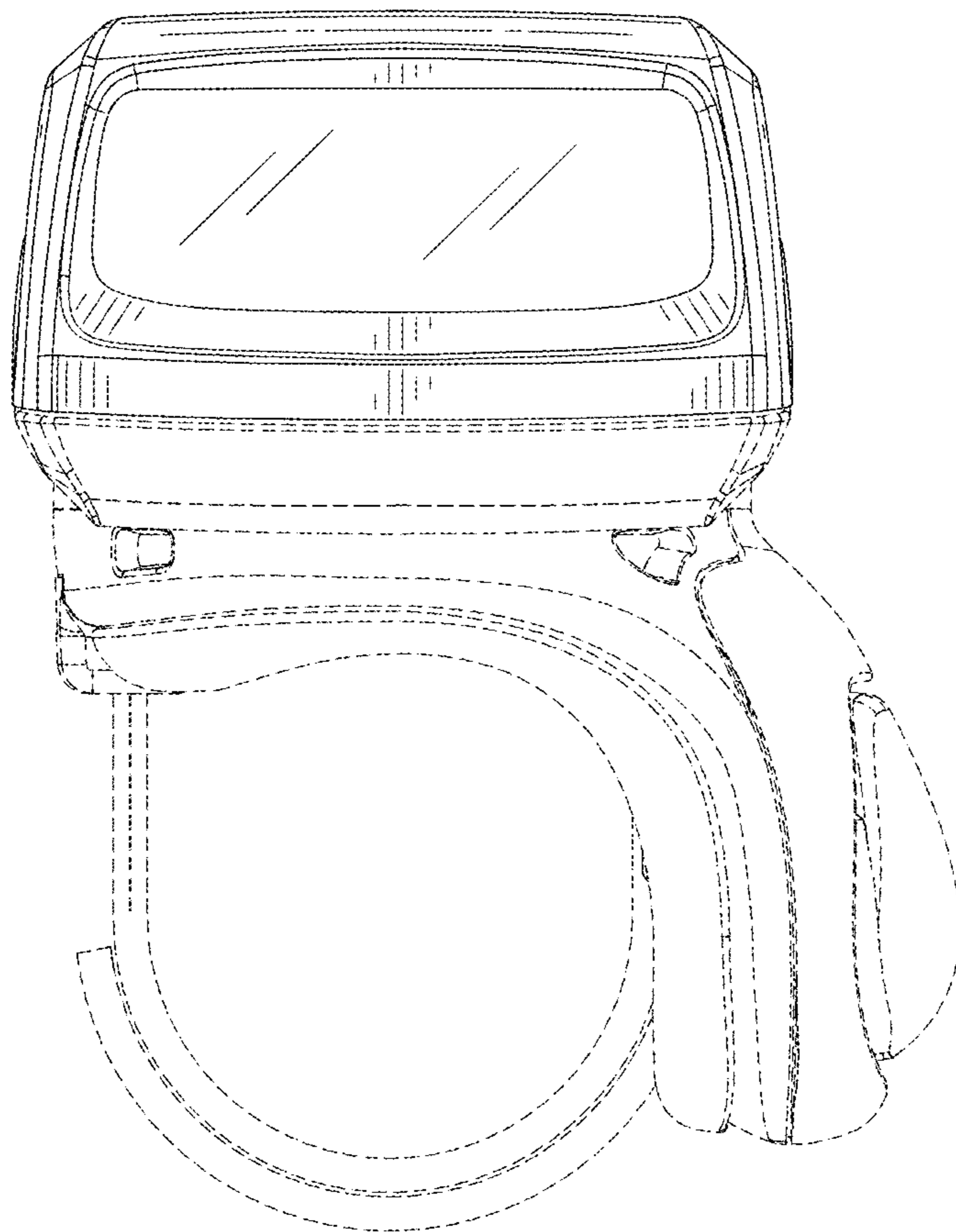


FIG. 7

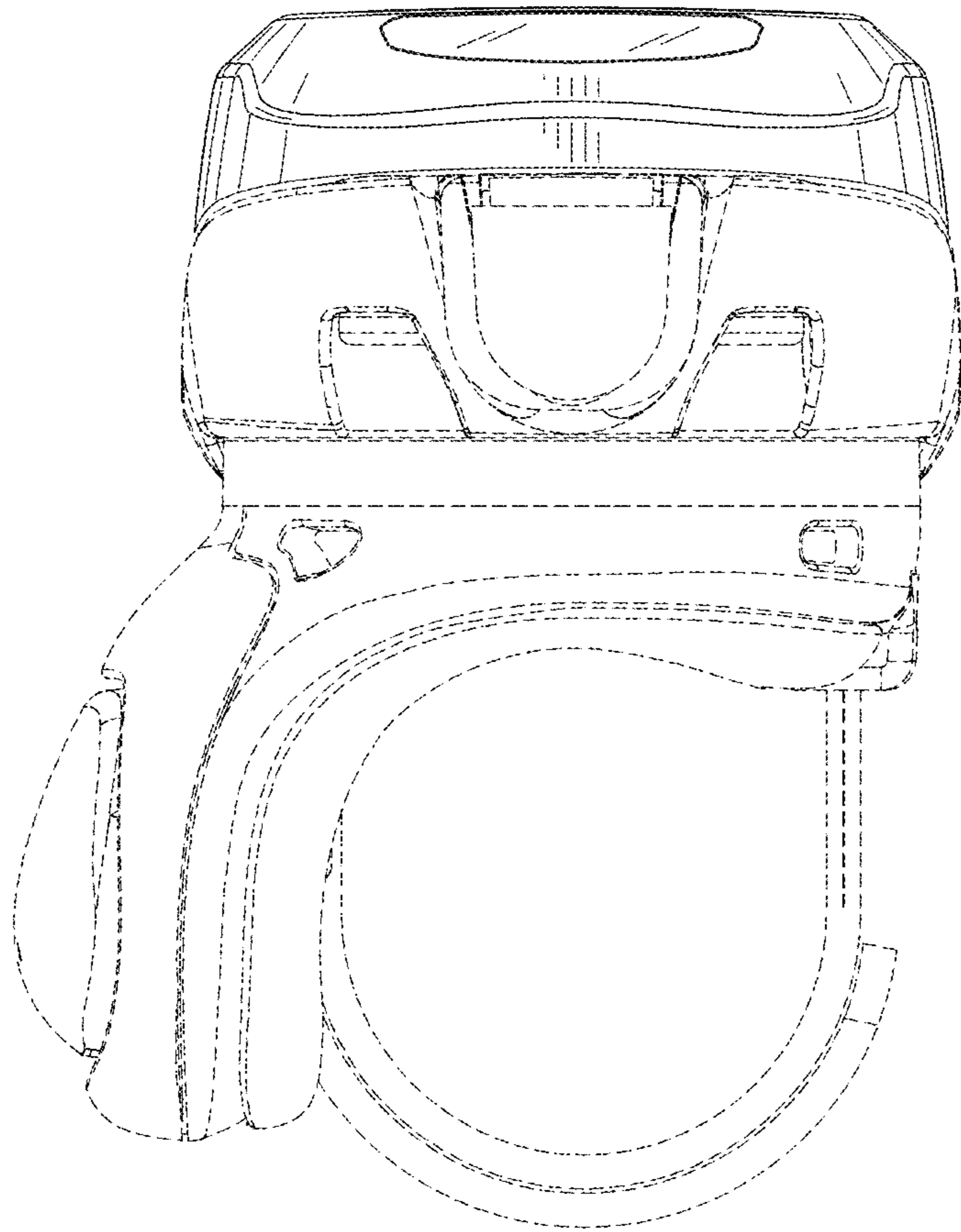


FIG. 8

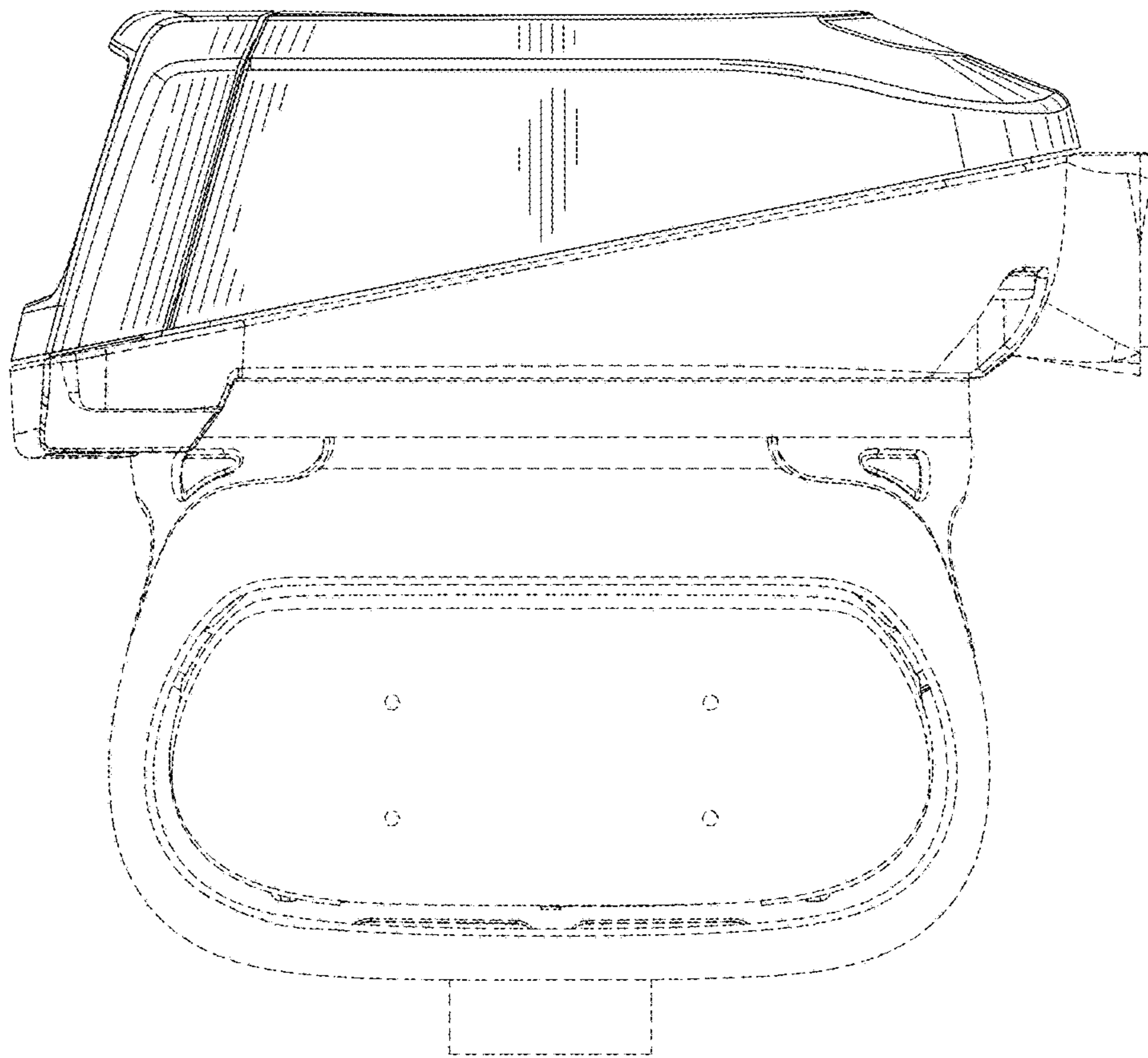


FIG. 9

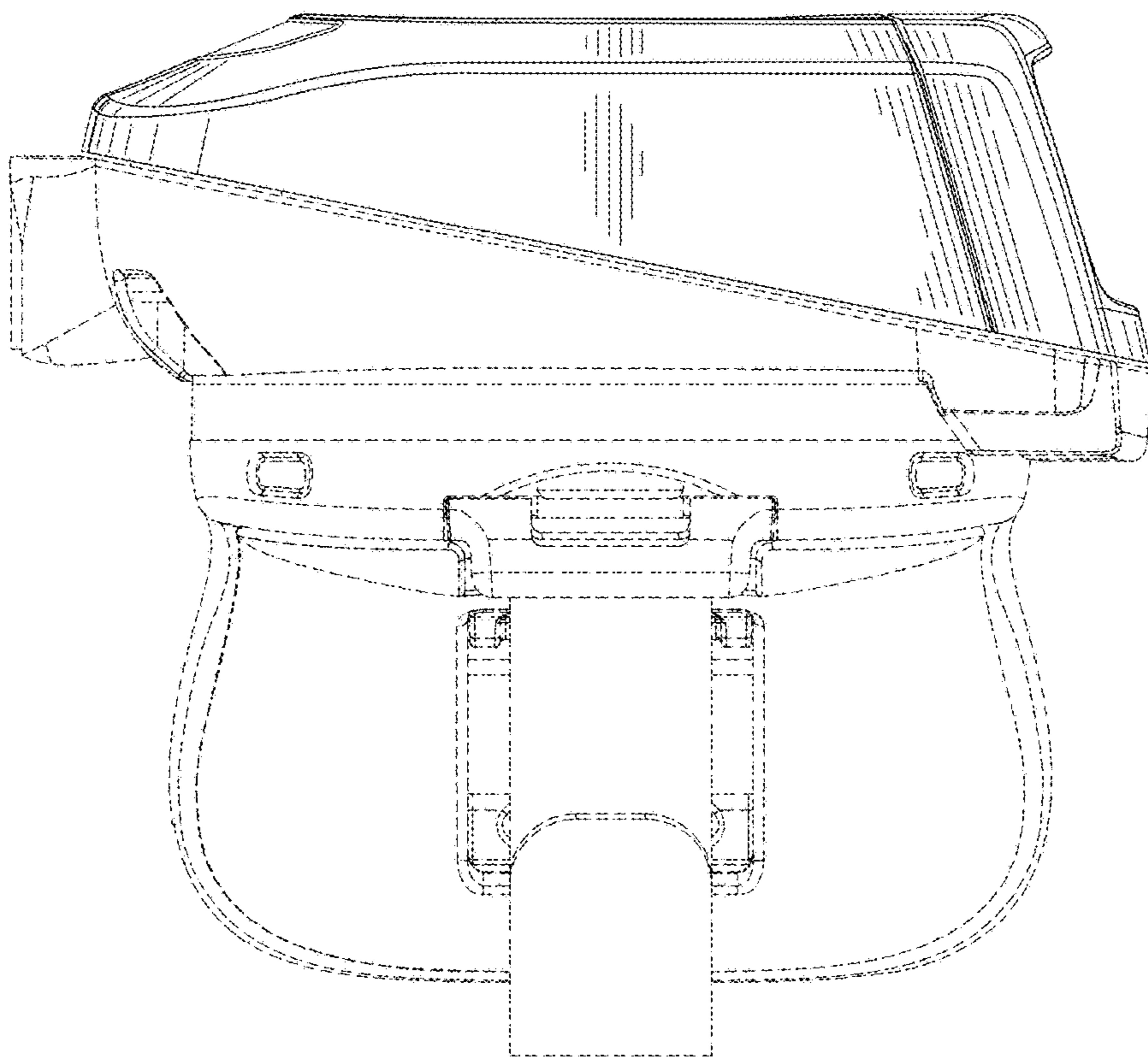


FIG. 10