

US00D832843S

(12) **United States Design Patent**  
**Hiyama et al.**

(10) **Patent No.:** **US D832,843 S**  
(45) **Date of Patent:** **\*\* Nov. 6, 2018**

(54) **SCANNER**

(71) Applicant: **NIDEC SANKYO CORPORATION**,  
Suwa-gun, Nagano (JP)

(72) Inventors: **Chisato Hiyama**, Nagano (JP); **Toshio Tantai**, Nagano (JP)

(73) Assignee: **NIDEC SANKYO CORPORATION**,  
Suwa-Gun, Nagano (JP)

(\*\*) Term: **15 Years**

(21) Appl. No.: **29/610,192**

(22) Filed: **Jul. 10, 2017**

(30) **Foreign Application Priority Data**

Jan. 10, 2017 (JP) ..... 2017-000201

(51) **LOC (11) Cl.** ..... **14-02**

(52) **U.S. Cl.**  
USPC ..... **D14/420; D14/421**

(58) **Field of Classification Search**  
USPC .... D14/420–425, 384, 385; D18/55, 49, 46,  
D18/40, 36–39, 41, 44, 45, 47, 48, 50–54,  
D18/56; 235/462, 455, 470, 462.43, 482,  
235/483, 380, 382, 384; 358/474, 486,  
358/488, 496–498, 452, 449, 451, 453,  
358/1.13; 318/685, 696; 355/81, 75;  
399/405, 367, 379, 380; 382/217;  
715/209, 222, 226, 274; 400/613,  
400/613.1–613.4, 690.1–690.4, 691–694;  
D24/158, 216, 217, 231, 232, 186, 219  
CPC ..... H04N 1/00; H04N 1/12; H04N 1/00013;  
H04N 1/00015; H04N 1/00018; H04N  
1/00026; H04N 1/00557; H04N 1/00564;  
H04N 1/00567; H04N 1/0057; H04N  
1/00572; H04N 1/00586; H04N 1/00588;  
H04N 1/00591; H04N 1/00594; H04N  
1/00596; H04N 1/00604; H04N 1/00519;  
H04N 1/00559; H04N 1/1013; H04N  
1/10; H04N 1/00551; H04N 1/00278;

H04N 2201/0456; H04N 2201/0446;  
H04N 2201/00; H04N 2201/0094; G03G  
15/0142; G03G 15/605; G03G 15/602;  
B65H 5/26; B65H 5/30; B65H 5/36;  
B65H 7/00; B65H 2402/515; B65H  
2402/31; B65H 2511/20; B65H 2511/414;  
B65H 2513/42; B65H 2801/39; B65H  
2801/31; B65H

(Continued)

(56) **References Cited**

U.S. PATENT DOCUMENTS

D467,349 S \* 12/2002 Niedbala ..... D24/231  
D512,712 S \* 12/2005 Brown ..... D14/240

(Continued)

*Primary Examiner* — Susan Moon Lee

(74) *Attorney, Agent, or Firm* — Cantor Colburn LLP

(57) **CLAIM**

The ornamental design for a scanner, as shown and described.

**DESCRIPTION**

FIG. 1 is an elevated front perspective view of the embodiment of a scanner.

FIG. 2 is an elevated rear perspective view of the embodiment of FIG. 1.

FIG. 3 is a front view of the embodiment of FIG. 1.

FIG. 4 is a rear view of the embodiment of FIG. 1.

FIG. 5 is a right-side view of the embodiment of FIG. 1.

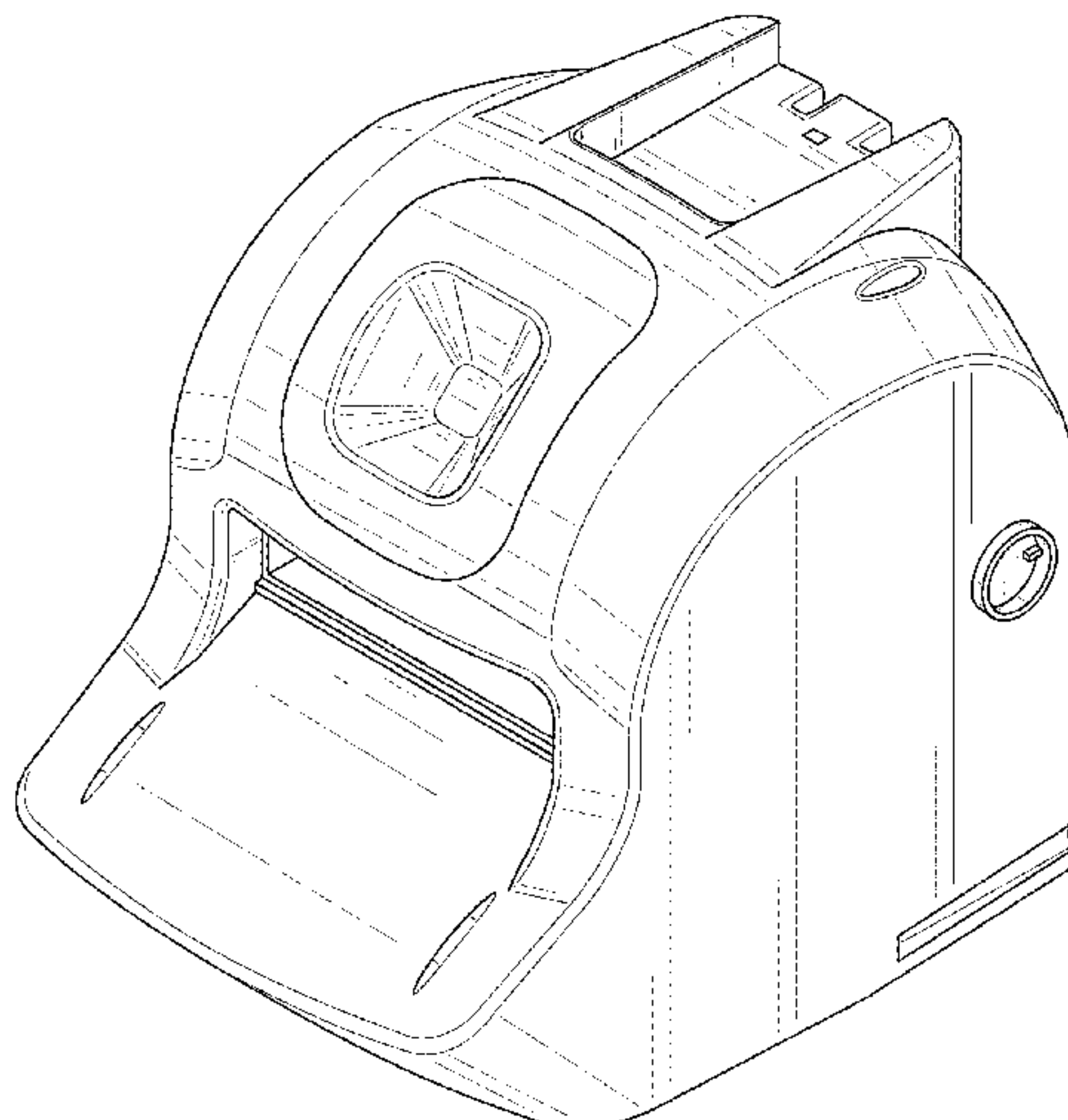
FIG. 6 is a left-side view of the embodiment of FIG. 1.

FIG. 7 is a plan view of the embodiment of FIG. 1.

FIG. 8 is a bottom view of the embodiment of FIG. 1; and, FIG. 9 is an elevated front perspective view showing the embodiment of FIG. 1 in a state of use.

The broken lines in the drawings are for the purpose of illustrating portions of the scanner that form no part of the claimed design.

**1 Claim, 9 Drawing Sheets**



(58) **Field of Classification Search**

CPC ..... 2215/00189; B65H 2215/00194; B65H  
 2215/00198; B65H 2215/00202; B65H  
 2215/00206; B65H 2215/20; B65H  
 2301/00; B65H 2220/04; B65H 3/5261

See application file for complete search history.

(56) **References Cited**

U.S. PATENT DOCUMENTS

D527,043	S *	8/2006	Borne	.....	D18/19
7,257,319	B1 *	8/2007	Clarke	.....	B08B 3/02 134/102.1
D607,569	S *	1/2010	Yukikado	.....	D10/81
D643,163	S *	8/2011	Kessler	.....	D32/1
D644,546	S *	9/2011	Yukikado	.....	D10/94
D665,917	S *	8/2012	Termaat	.....	D24/216
D689,193	S *	9/2013	Shinohara	.....	D24/216
D699,724	S *	2/2014	Isozaki	.....	D14/421
D717,965	S *	11/2014	Sanga	.....	D24/217
D735,878	S *	8/2015	Chang	.....	D24/216
D752,240	S *	3/2016	Chan	.....	D24/216
D783,175	S *	4/2017	Hosokawa	.....	D24/216
D800,121	S *	10/2017	Akers, Jr.	.....	D14/420
2009/0295916	A1 *	12/2009	Hsu	.....	H04N 1/04 348/96
2010/0120129	A1 *	5/2010	Amshey	.....	B01L 3/502715 435/270
2011/0115900	A1 *	5/2011	Yu	.....	H04N 3/36 348/96
2012/0308990	A1 *	12/2012	Termaat	.....	B01L 7/52 435/3
2017/0113221	A1 *	4/2017	Hoffman	.....	B01L 3/502715

\* cited by examiner

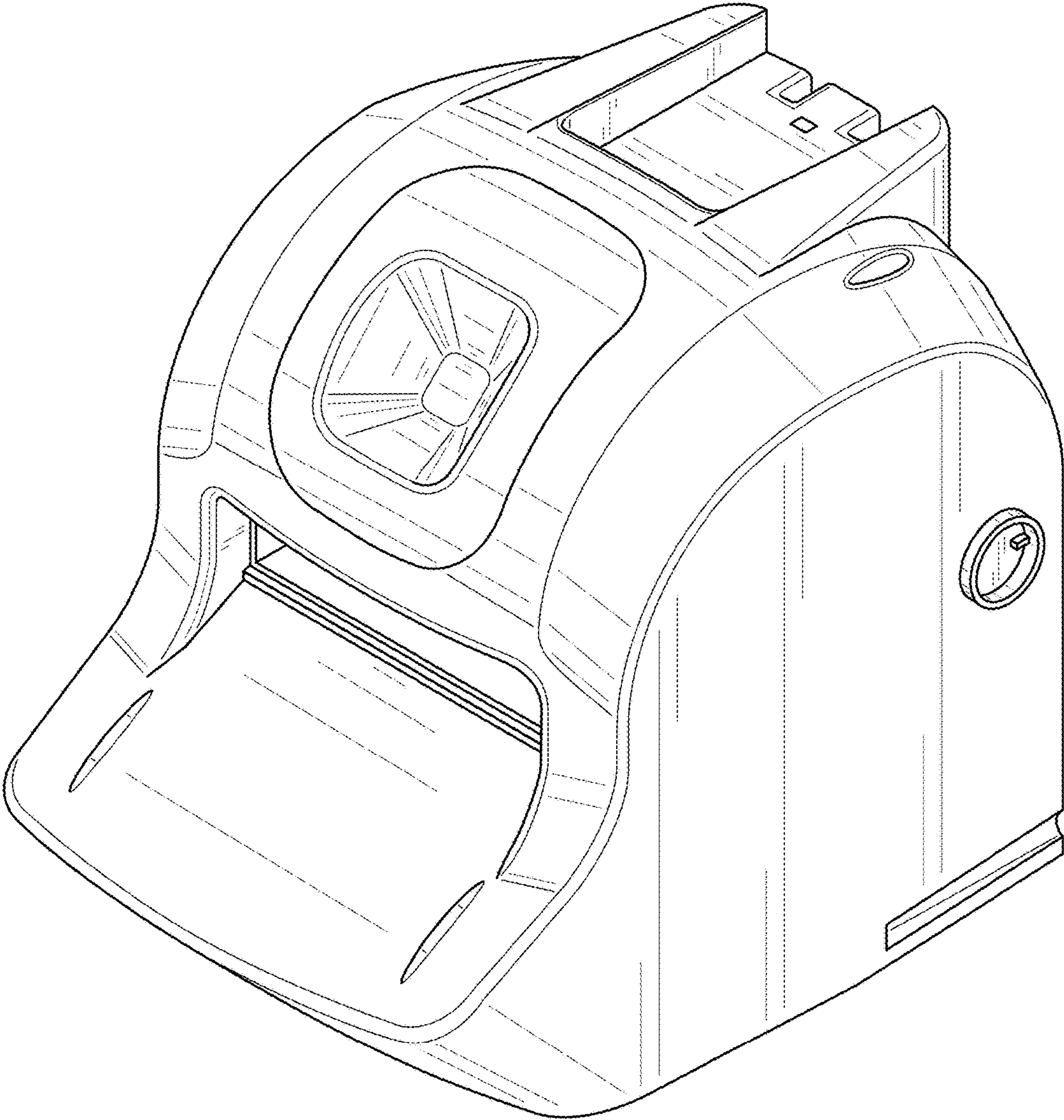


FIG. 1



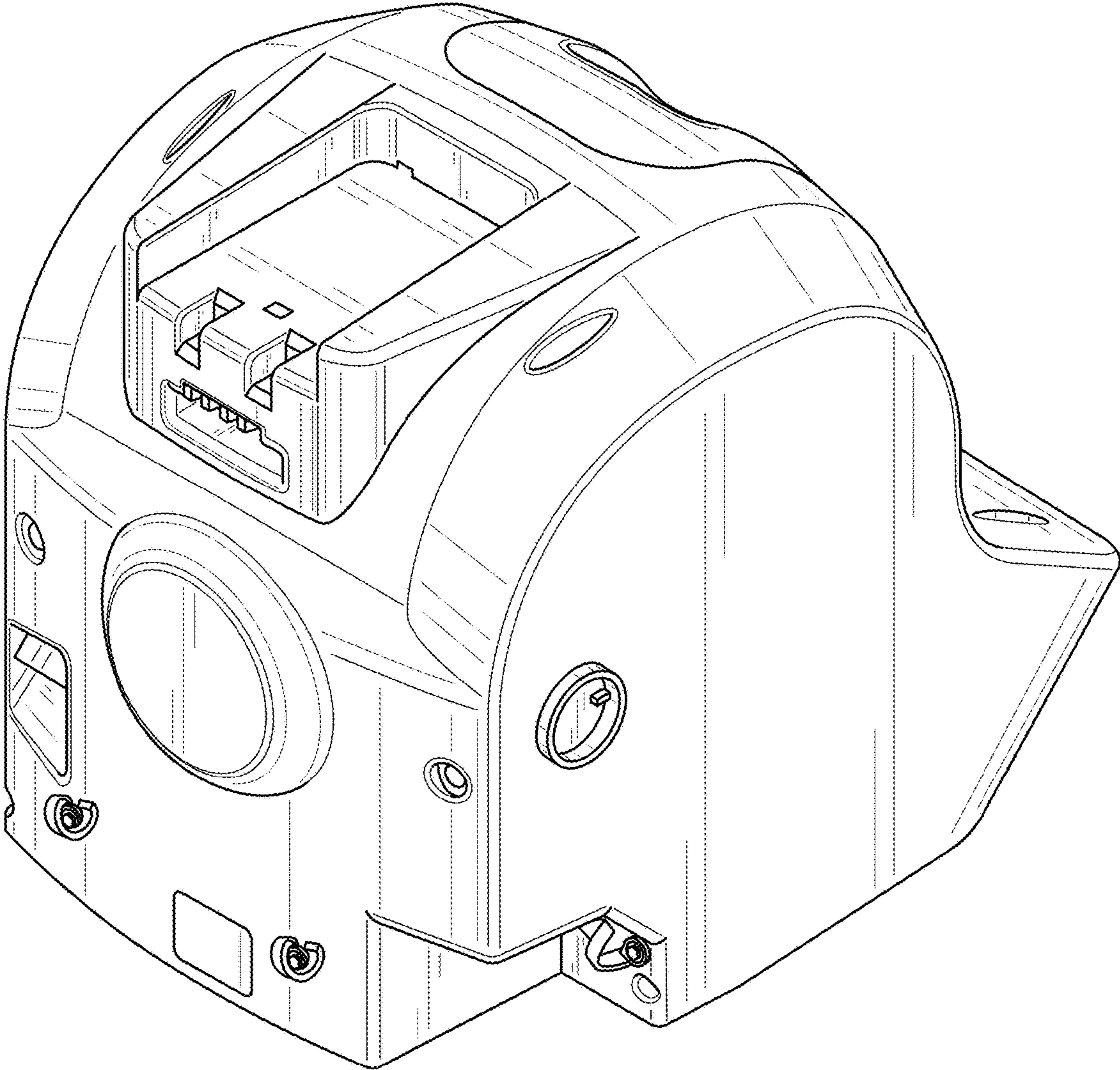


FIG. 2

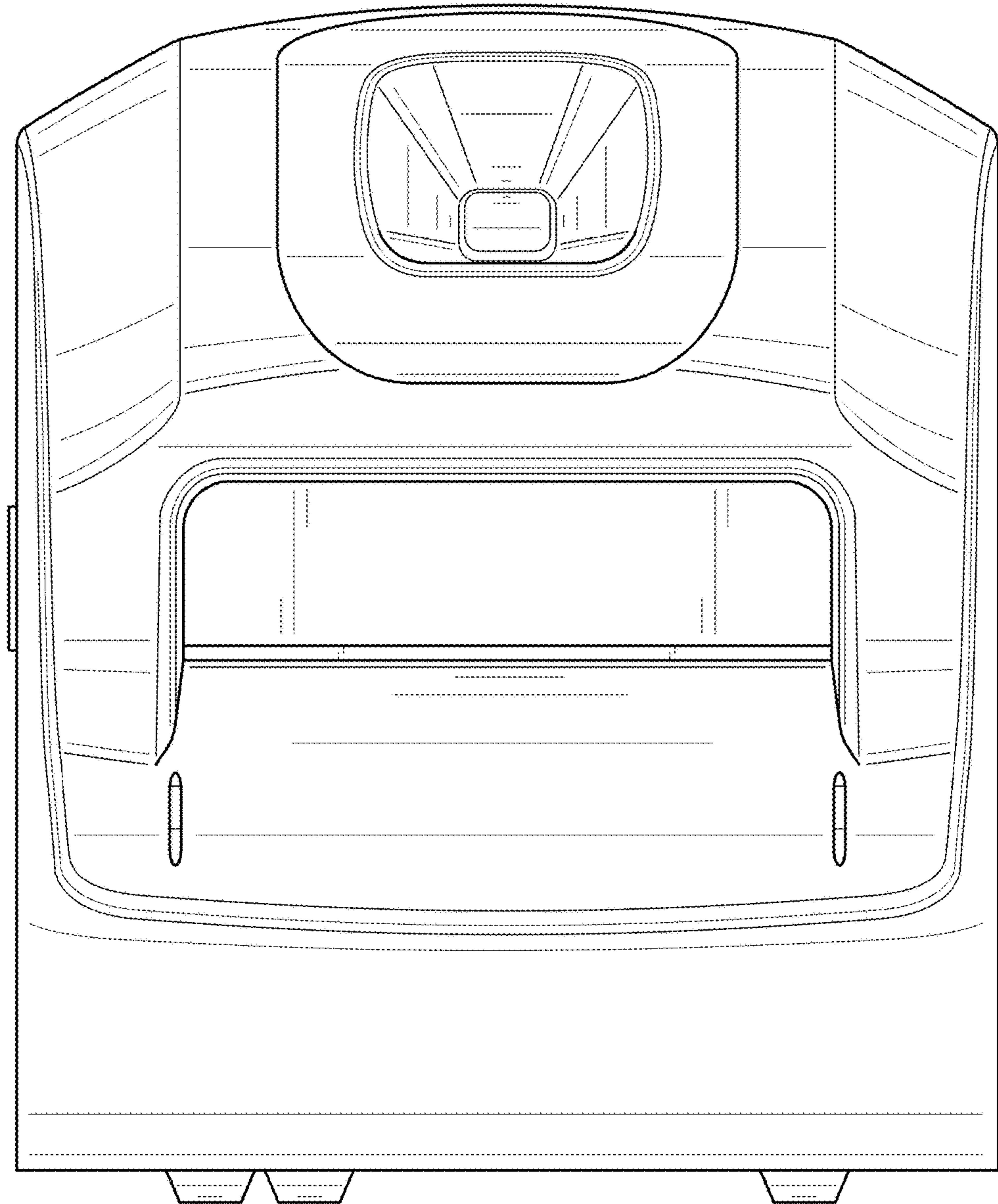


FIG. 3

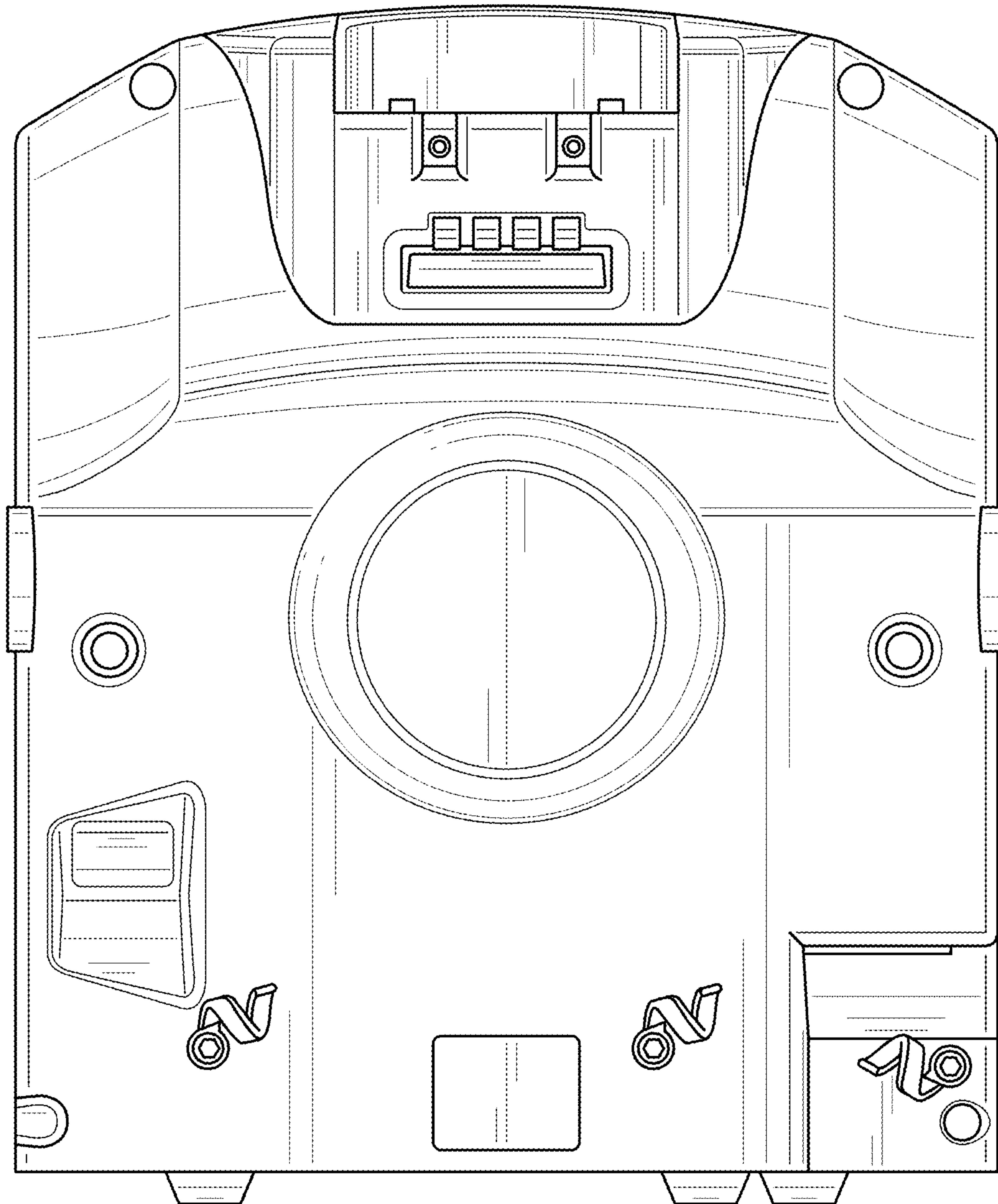
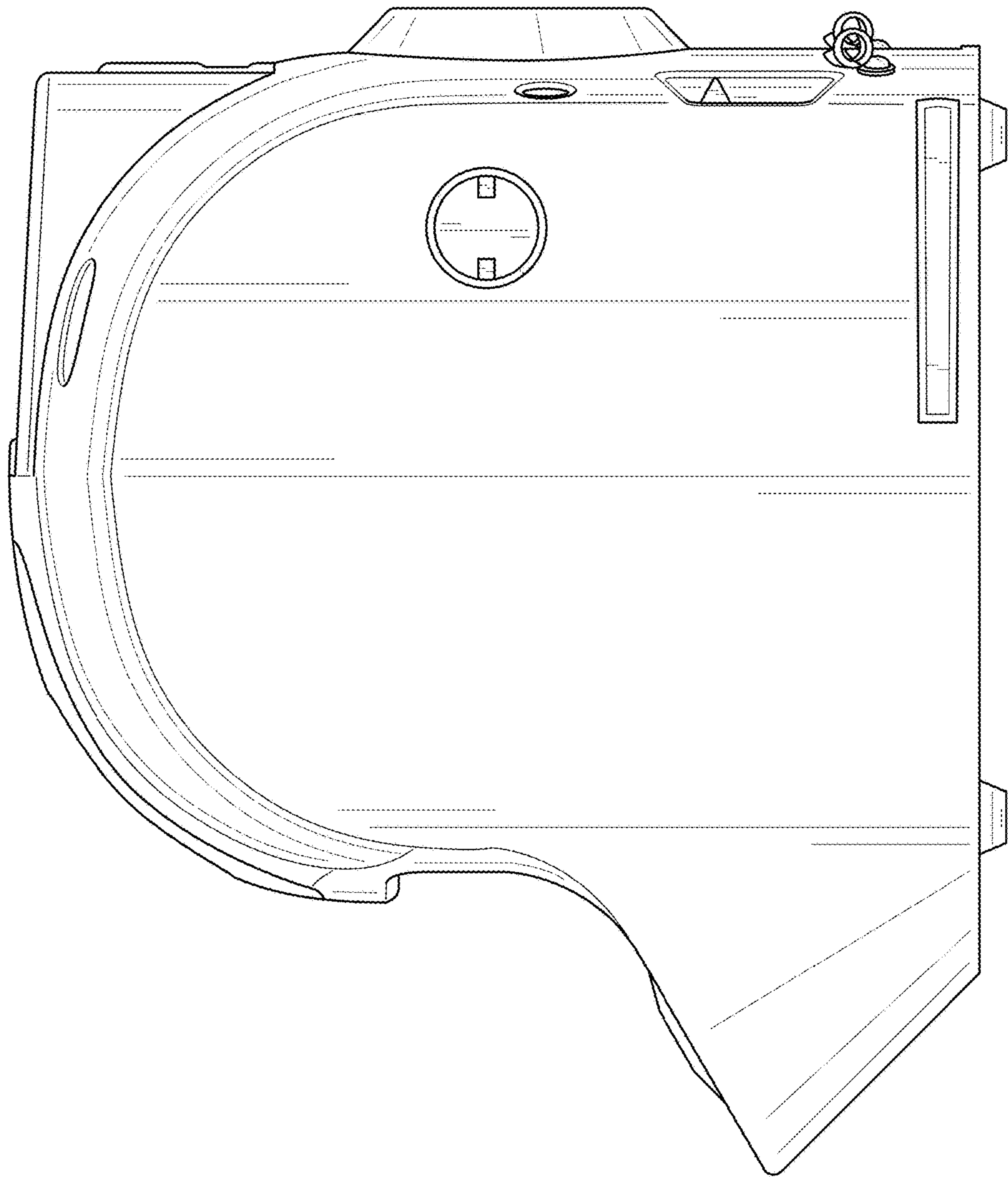


FIG. 4

FIG. 5





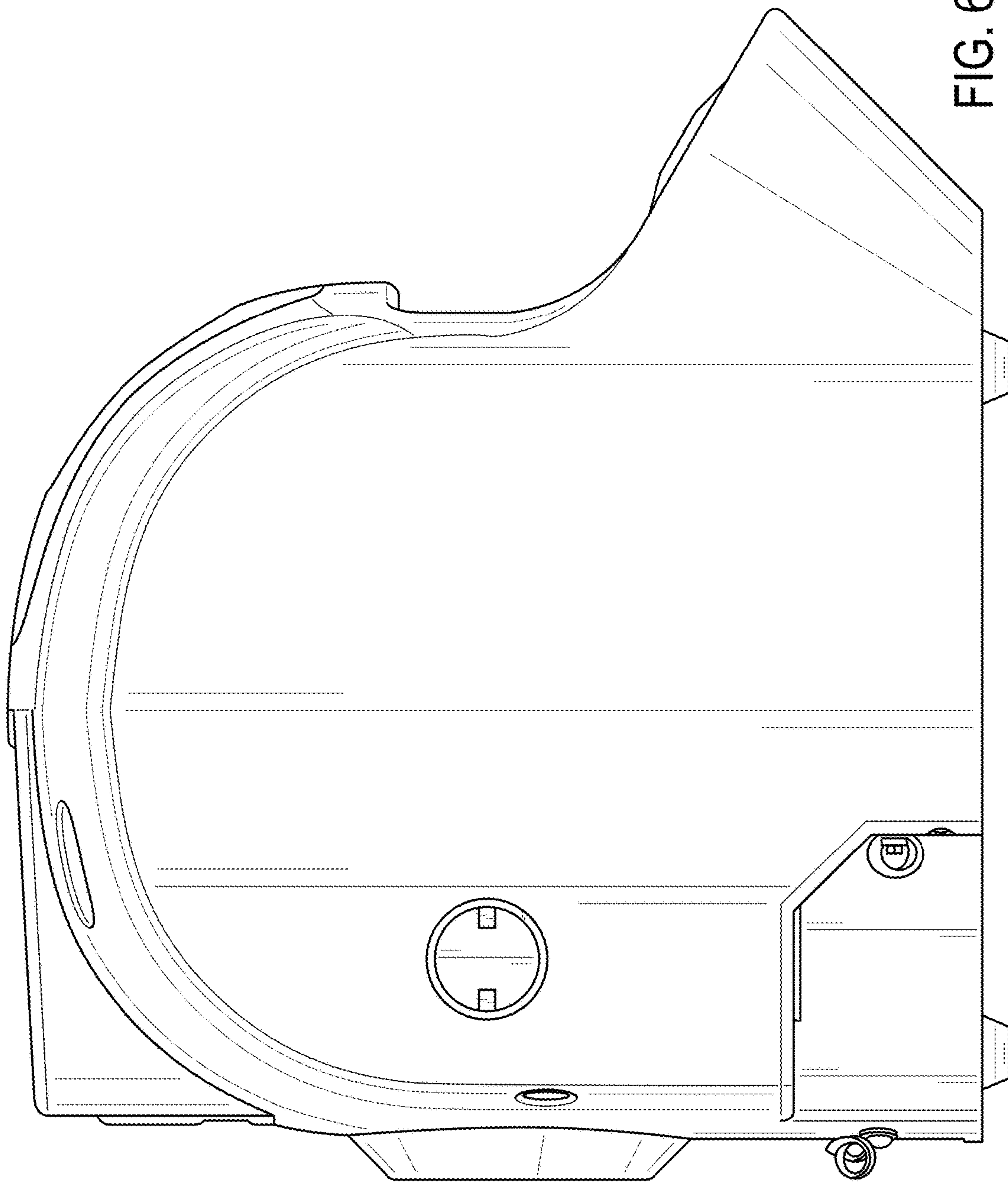


FIG. 6



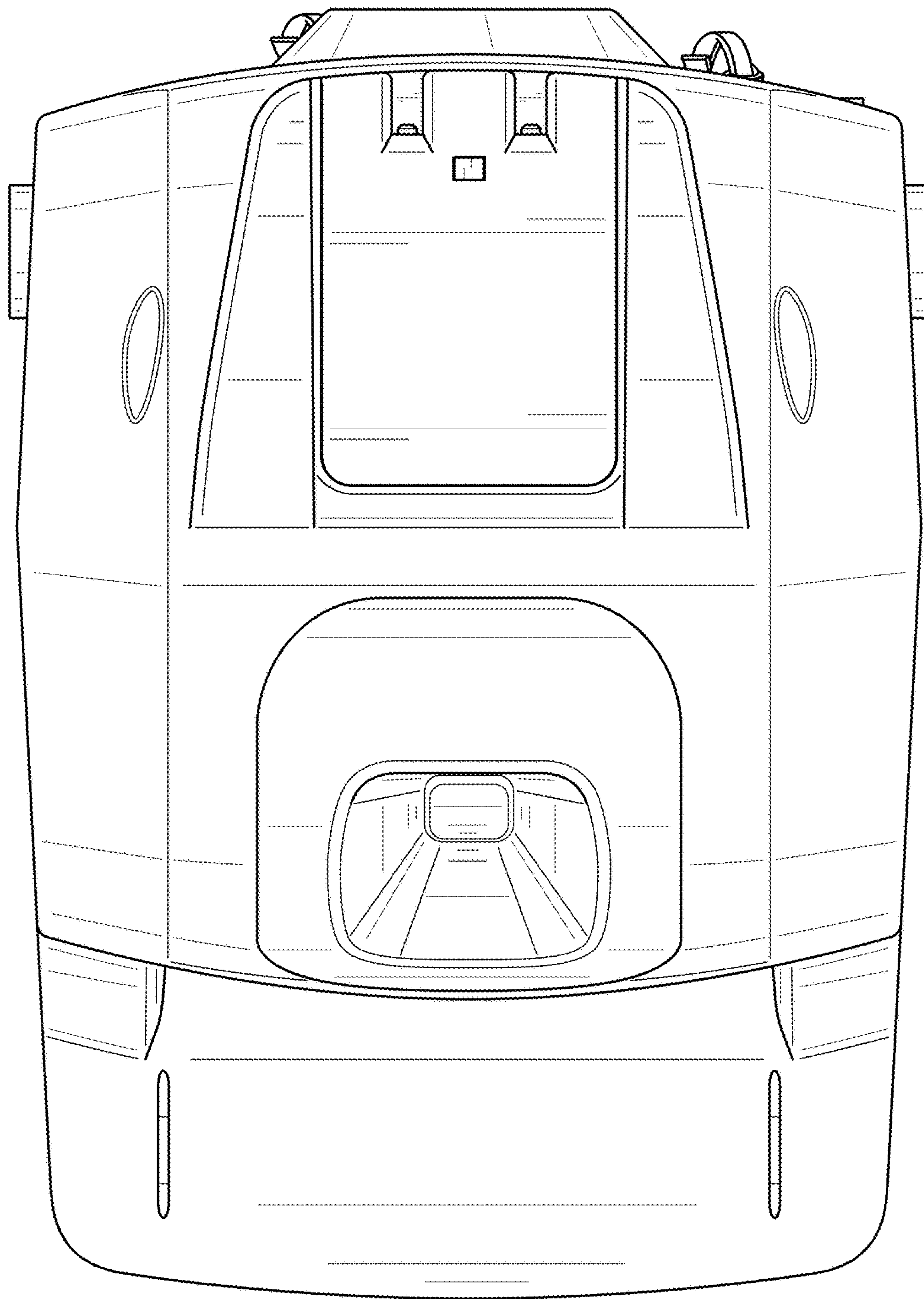


FIG. 7

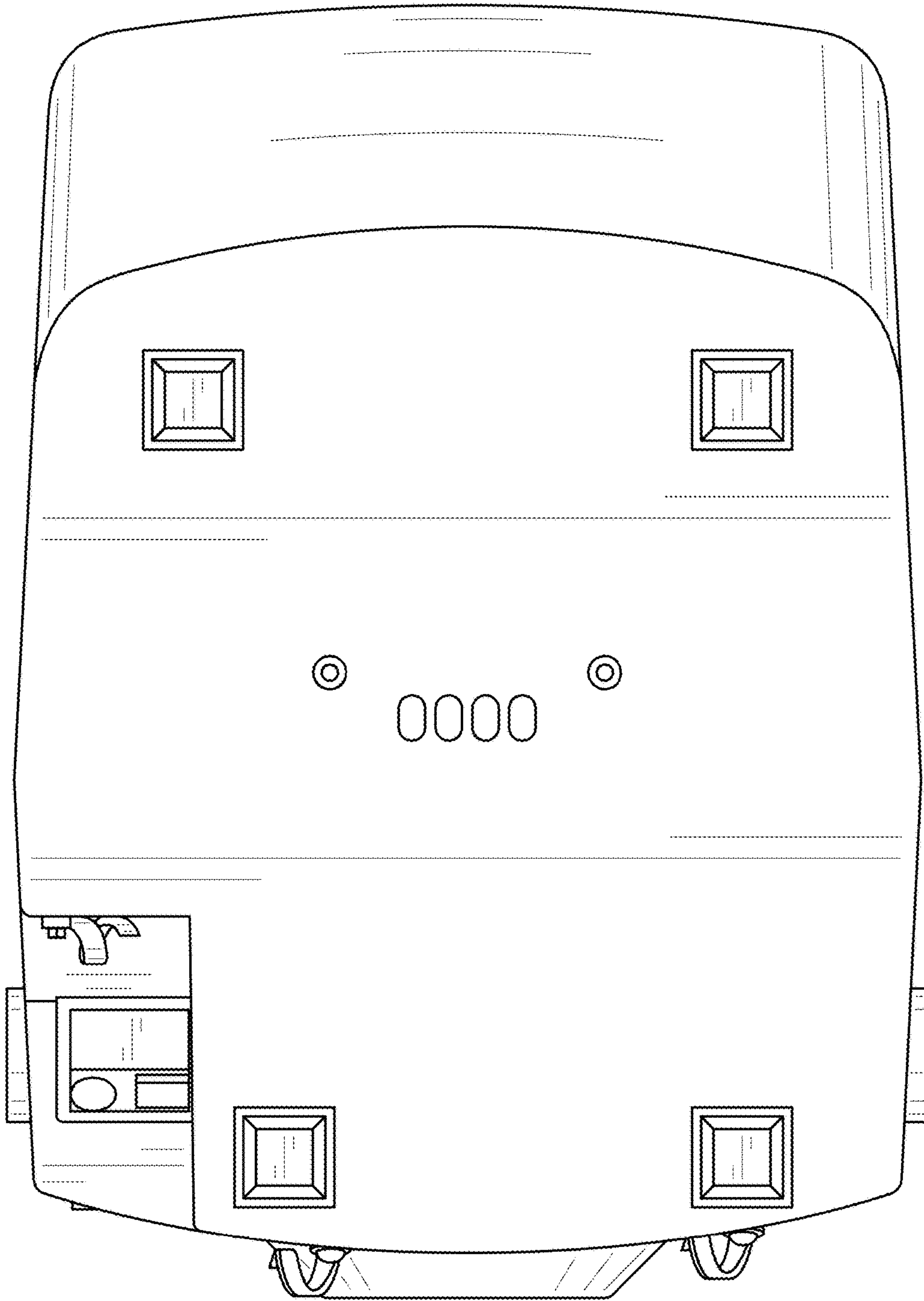


FIG. 8

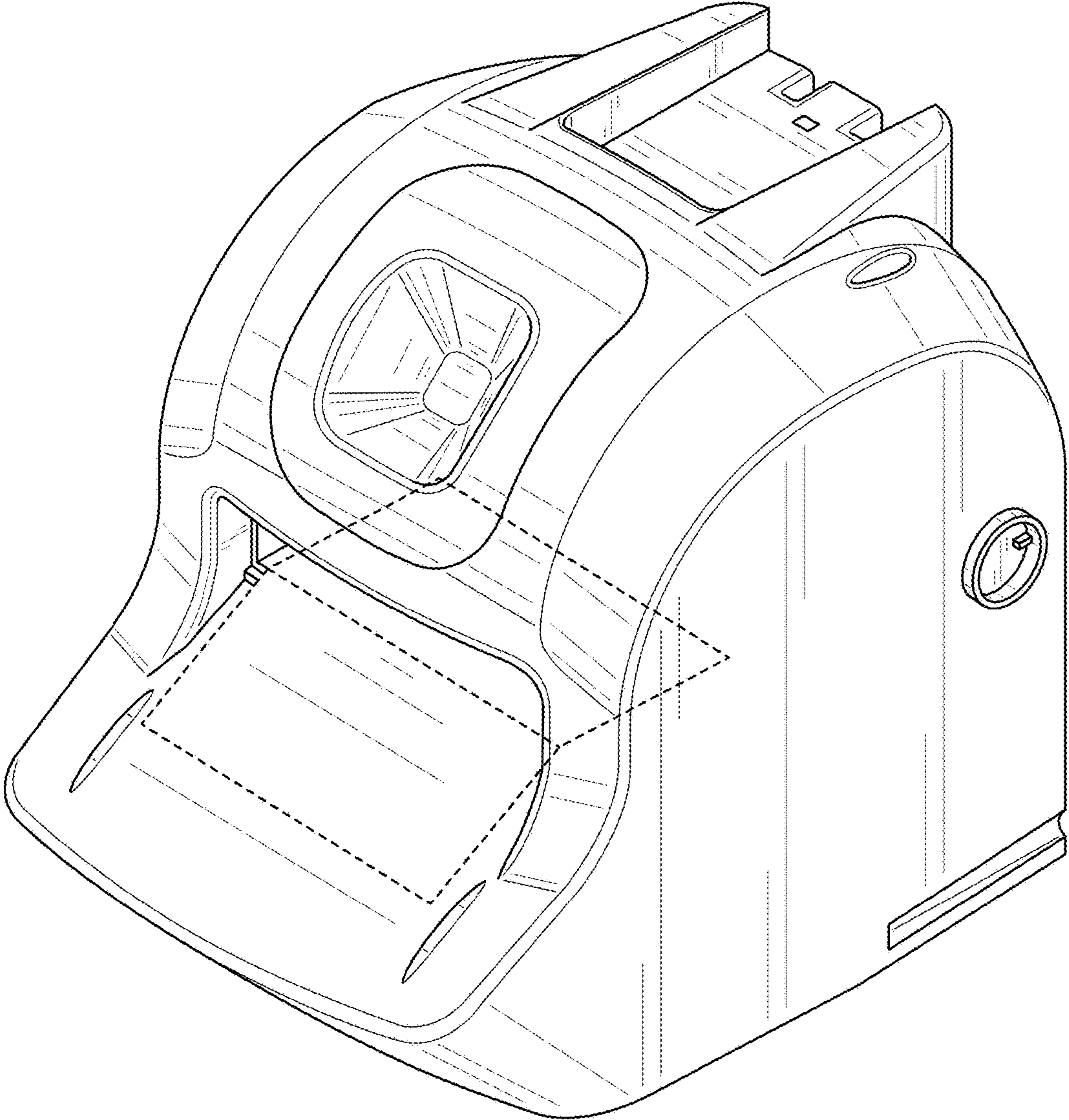


FIG. 9