



US00D832841S

(12) **United States Design Patent** (10) **Patent No.:** **US D832,841 S**  
**Lee** (45) **Date of Patent:** **\*\* Nov. 6, 2018**

(54) **PEN FOR ELECTRONIC DEVICE**  
(71) Applicant: **Samsung Electronics Co., Ltd.**,  
Suwon-si (KR)  
(72) Inventor: **Junyoung Lee**, Seoul (KR)  
(73) Assignee: **SAMSUNG ELECTRONICS CO., LTD.**,  
Suwon-si (KR)  
(\*\*) Term: **15 Years**  
(21) Appl. No.: **29/634,093**  
(22) Filed: **Jan. 18, 2018**

D717,302 S 11/2014 DeSerio  
D717,798 S 11/2014 Groene  
D722,600 S 2/2015 Dowd  
D770,454 S 11/2016 Lee  
D772,230 S 11/2016 Lee  
D786,872 S 5/2017 Akers, Jr.  
D796,511 S \* 9/2017 Akana ..... D14/411  
D796,512 S \* 9/2017 Akana ..... D14/411

(Continued)

*Primary Examiner* — Austin Murphy  
(74) *Attorney, Agent, or Firm* — McAndrews Held & Malloy, Ltd.

(57) **CLAIM**

The ornamental design for a pen for electronic device, as shown and described.

**DESCRIPTION**

FIG. 1 is a bottom perspective view of a pen for electronic device showing my new design;  
FIG. 2 is a front elevation view thereof;  
FIG. 3 is a rear elevation view thereof;  
FIG. 4 is a left-side elevation view thereof;  
FIG. 5 is a right-side elevation view thereof;  
FIG. 6 is a top plan view thereof;  
FIG. 7 is a bottom plan view thereof;  
FIG. 8 is an enlarged bottom perspective view of the portion delineated in FIG. 1; and,  
FIG. 9 is an enlarged left-side elevation view of the portion delineated in FIG. 4.  
The evenly spaced dashed broken lines in the figures illustrate environment and form no part of the claimed design. The dot-dash broken lines in the figures illustrate a boundary line that forms no part of the claimed design. The dot-dot-dash broken lines in the figures delineate portions of the claimed design that are illustrated in enlarged views, and form no part of the claimed design. Views of the pen not shown form no part of the claimed design.

**Related U.S. Application Data**

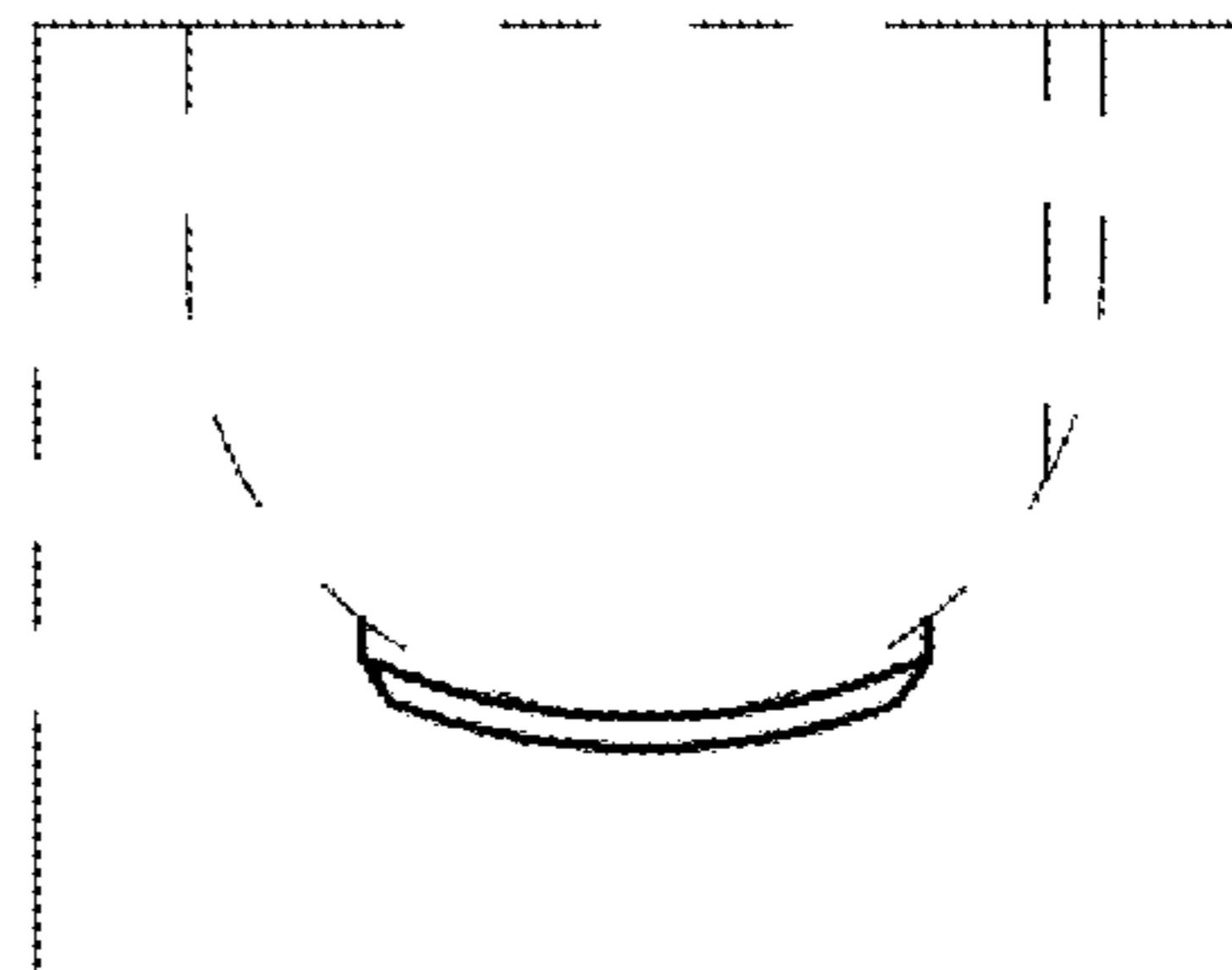
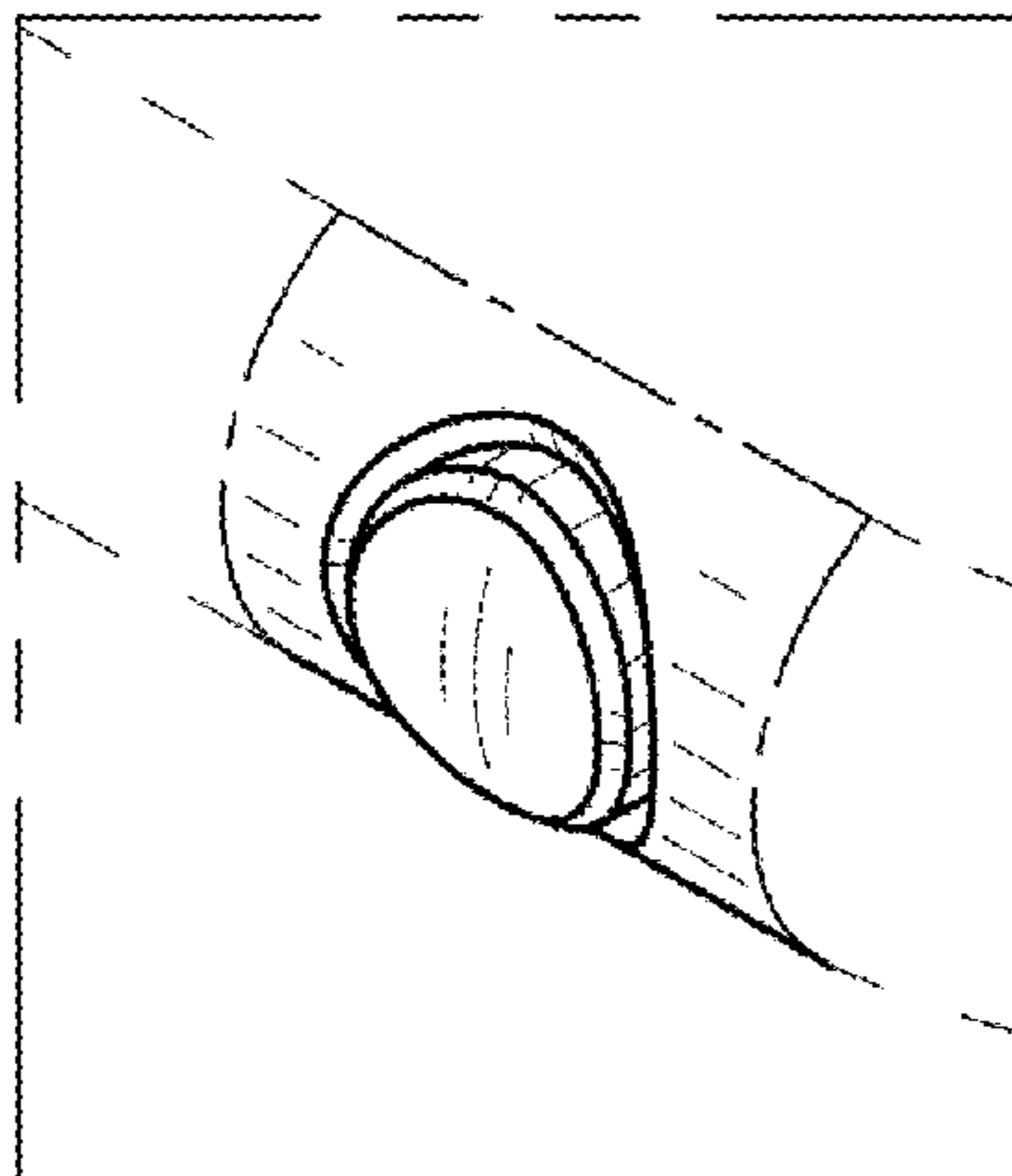
(62) Division of application No. 29/543,887, filed on Oct. 29, 2015, now Pat. No. Des. 813,237.  
(51) **LOC (11) Cl.** ..... **14-02**  
(52) **U.S. Cl.**  
USPC ..... **D14/411**  
(58) **Field of Classification Search**  
USPC ..... D14/372, 496, 432, 371, 125, 126, 129, D14/299, 411; D16/300-342; 351/158, 351/153, 144; 345/7-9, 905; 455/344; 348/115, 53, 121, 739  
CPC ..... G02B 27/017; G06F 3/016; G06F 3/033; G06F 3/0317; G06F 3/03545; G06F 3/041; G06K 9/222  
See application file for complete search history.

(56) **References Cited**

**U.S. PATENT DOCUMENTS**

D633,500 S 3/2011 Bouniol  
D634,325 S 3/2011 Naulapaa  
D638,840 S 5/2011 Kamata  
D668,655 S 10/2012 Li  
D681,037 S 4/2013 Hashi  
D711,381 S \* 8/2014 Lee ..... D14/411

**1 Claim, 6 Drawing Sheets**



(56)

**References Cited**

U.S. PATENT DOCUMENTS

D807,349 S *	1/2018	Lee	.....	D14/342
D808,384 S *	1/2018	Lee	.....	D14/342
D813,237 S *	3/2018	Lee	.....	D14/411
D813,238 S *	3/2018	Lee	.....	D14/411

\* cited by examiner

FIG.1

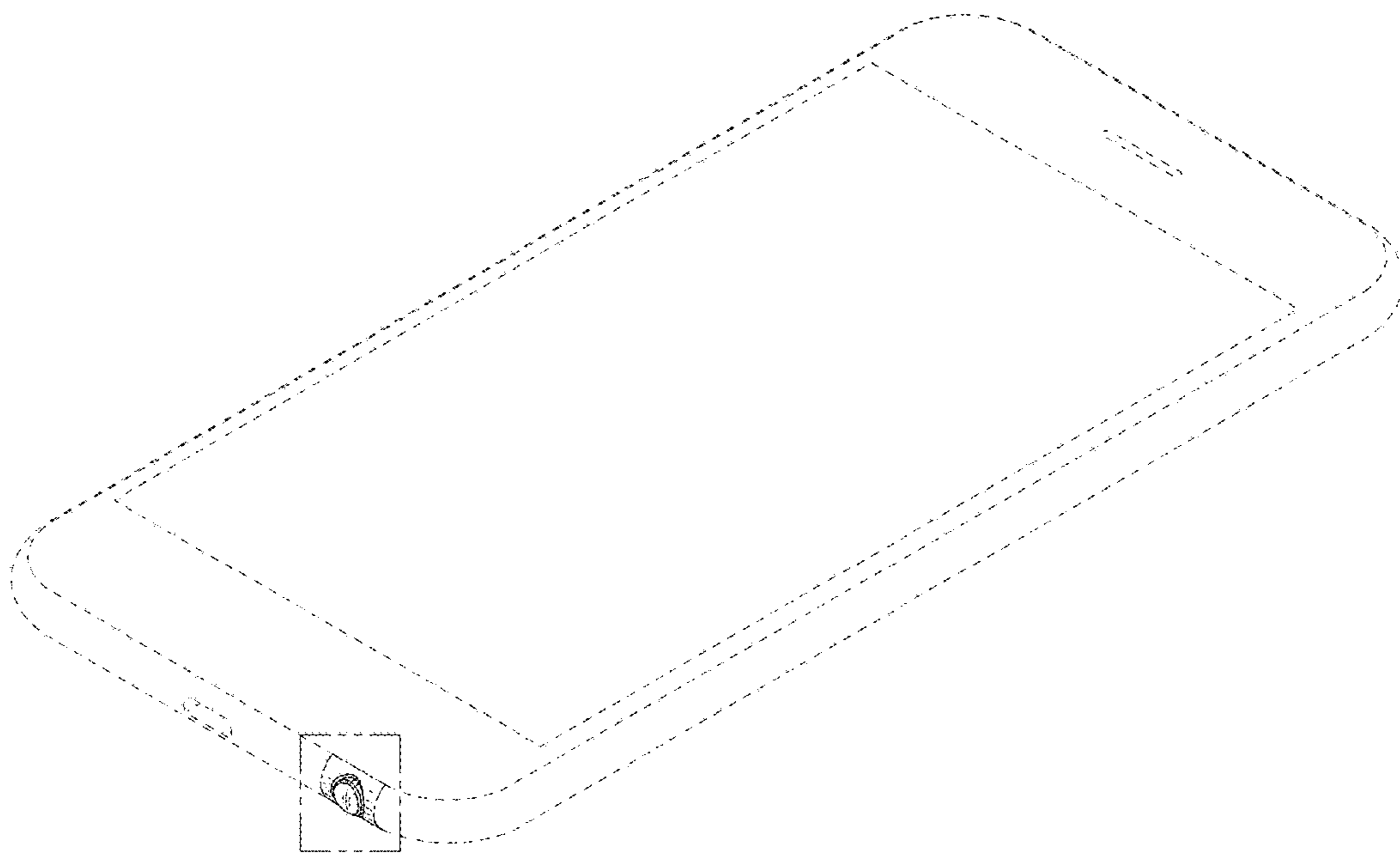


FIG.2



FIG.3



FIG.4

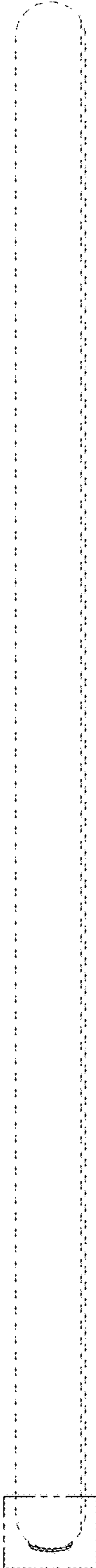


FIG.5



FIG.6

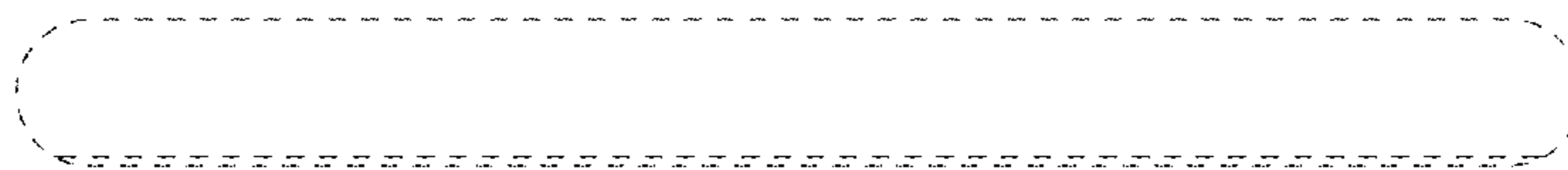


FIG.7



FIG.8

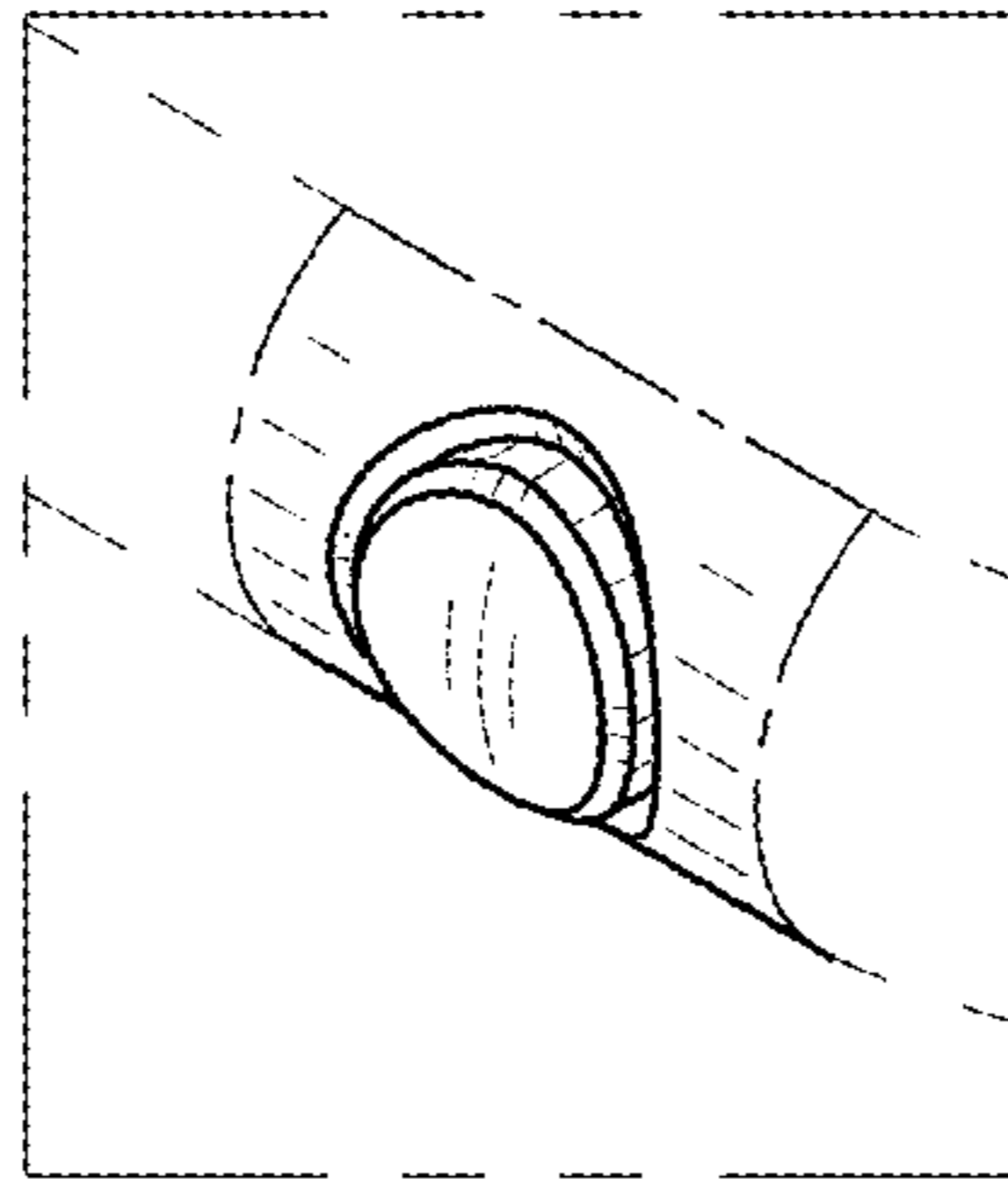


FIG.9

