



US00D832839S

(12) **United States Design Patent** (10) **Patent No.:** **US D832,839 S**
Su et al. (45) **Date of Patent:** **** Nov. 6, 2018**

(54) **DISPLAY**

(71) Applicant: **DARWIN PRECISIONS CORPORATION**, Taichung (TW)
 (72) Inventors: **Yu-Tsung Su**, Hsinchu County (TW);
Wen-Yi Lin, Taichung (TW)
 (73) Assignee: **Darwin Precisions Corporation**,
 Taichung (TW)

(**) Term: **15 Years**
 (21) Appl. No.: **29/616,451**

(22) Filed: **Sep. 6, 2017**

(30) **Foreign Application Priority Data**

Mar. 7, 2017 (CN) 2017 3 0062719

(51) **LOC (11) Cl.** **14-02**

(52) **U.S. Cl.**
USPC **D14/374**

(58) **Field of Classification Search**
 USPC D14/371-375, 125-129, 336, 337;
 D6/300, 308; D19/113, 114; D20/10
 CPC G09F 15/0025; G09F 15/0062; G09F
 15/0068; G06F 1/16; G06F 1/1613; G06F
 1/133308; G06F 1/1601; G06F 3/037;
 G06F 1/162; F16M 11/02; F16M 11/10;
 F16M 11/00; F16M 11/06; F16M 11/18;
 F16M 11/045; F16M 11/105; F16M
 11/041; F16M 11/126; F16M 11/04;
 F16M 11/24; F16M 13/02; A47F 5/00;
 G03B 21/145

See application file for complete search history.

(56) **References Cited**

U.S. PATENT DOCUMENTS

D545,782	S	*	7/2007	Schiller	D14/126
D631,046	S	*	1/2011	Chien	D14/371
D648,335	S	*	11/2011	Shiono	D14/374
D691,818	S	*	10/2013	Shibata	D6/308
D741,276	S	*	10/2015	Shin	D14/126
D754,122	S	*	4/2016	Oakley	D14/336
2016/0054756	A1	*	2/2016	Lan	G03B 21/145 353/101

* cited by examiner

Primary Examiner — Freda S Nunn

(74) *Attorney, Agent, or Firm* — Schmeiser, Olsen & Watts, LLP

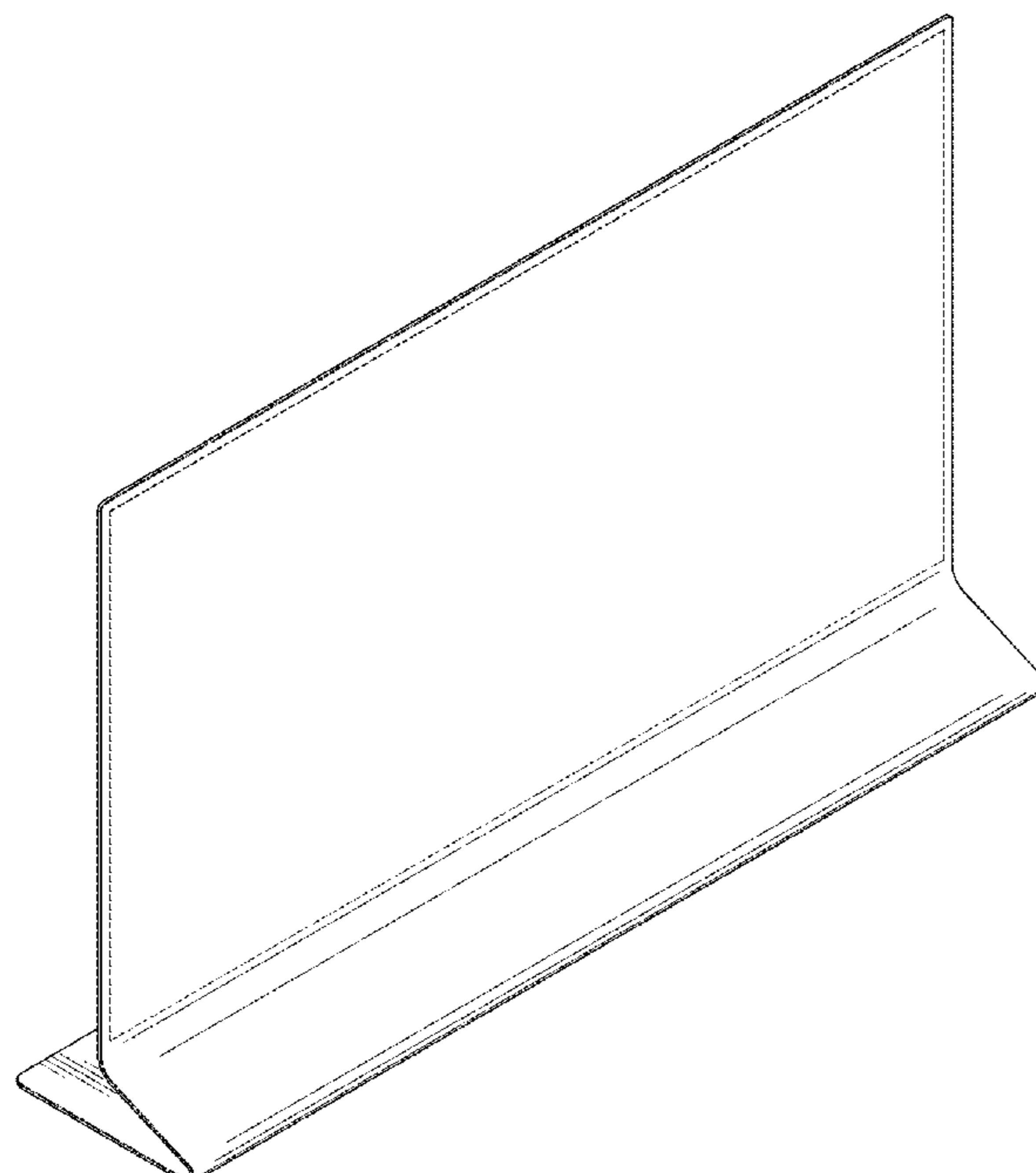
(57) **CLAIM**

We claim the ornamental design for a display, as shown and described.

DESCRIPTION

FIG. 1 is a front perspective view of a display showing our new design;
 FIG. 2 is a rear perspective view thereof;
 FIG. 3 is a front elevational view thereof;
 FIG. 4 is a rear elevational view thereof;
 FIG. 5 is a left side elevational view thereof;
 FIG. 6 is a right side elevational view thereof;
 FIG. 7 is a top plan view thereof; and,
 FIG. 8 is a bottom plan view thereof.
 The broken lines show portions of the article that form no part of the claimed design.

1 Claim, 8 Drawing Sheets



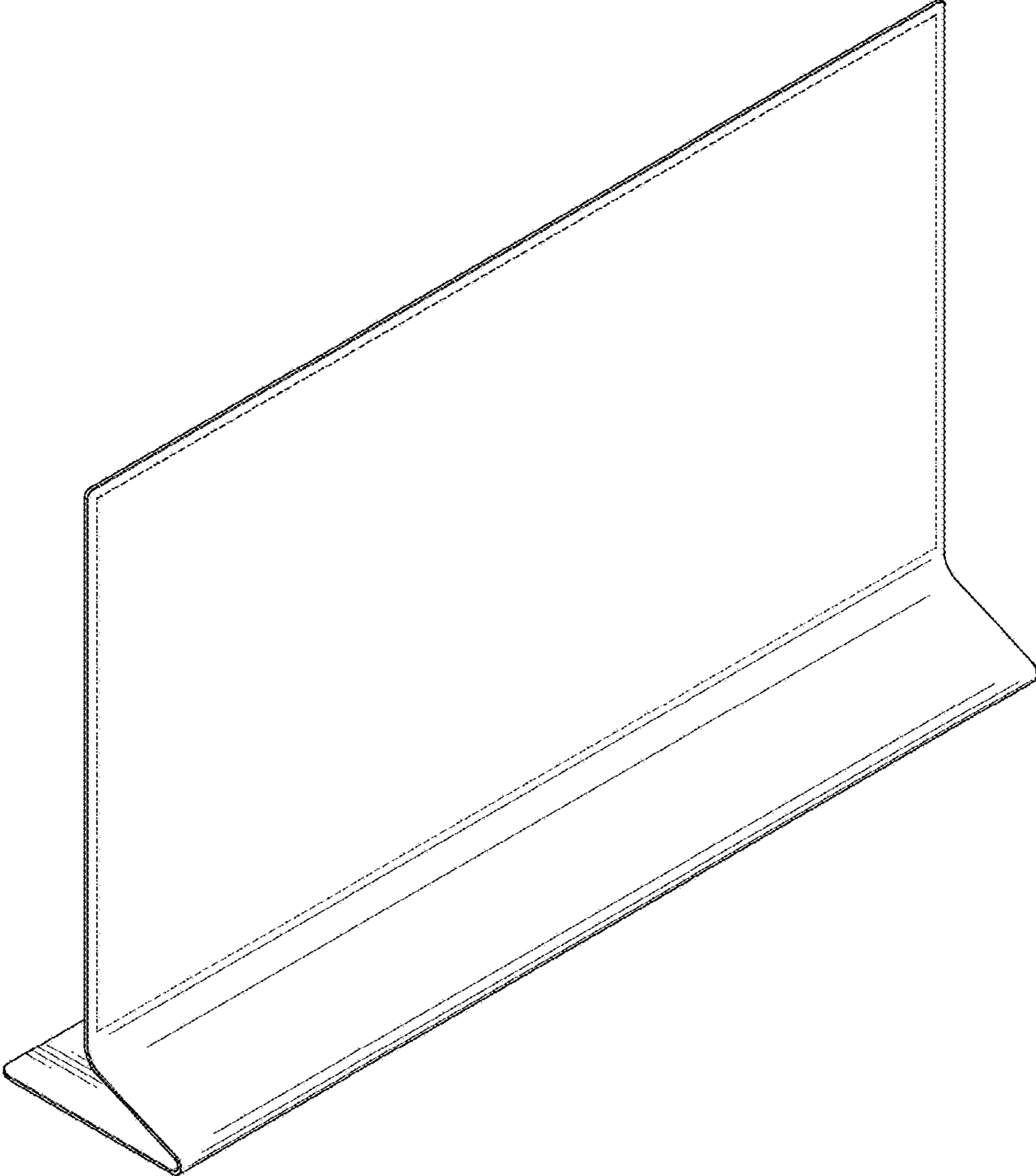


FIG. 1

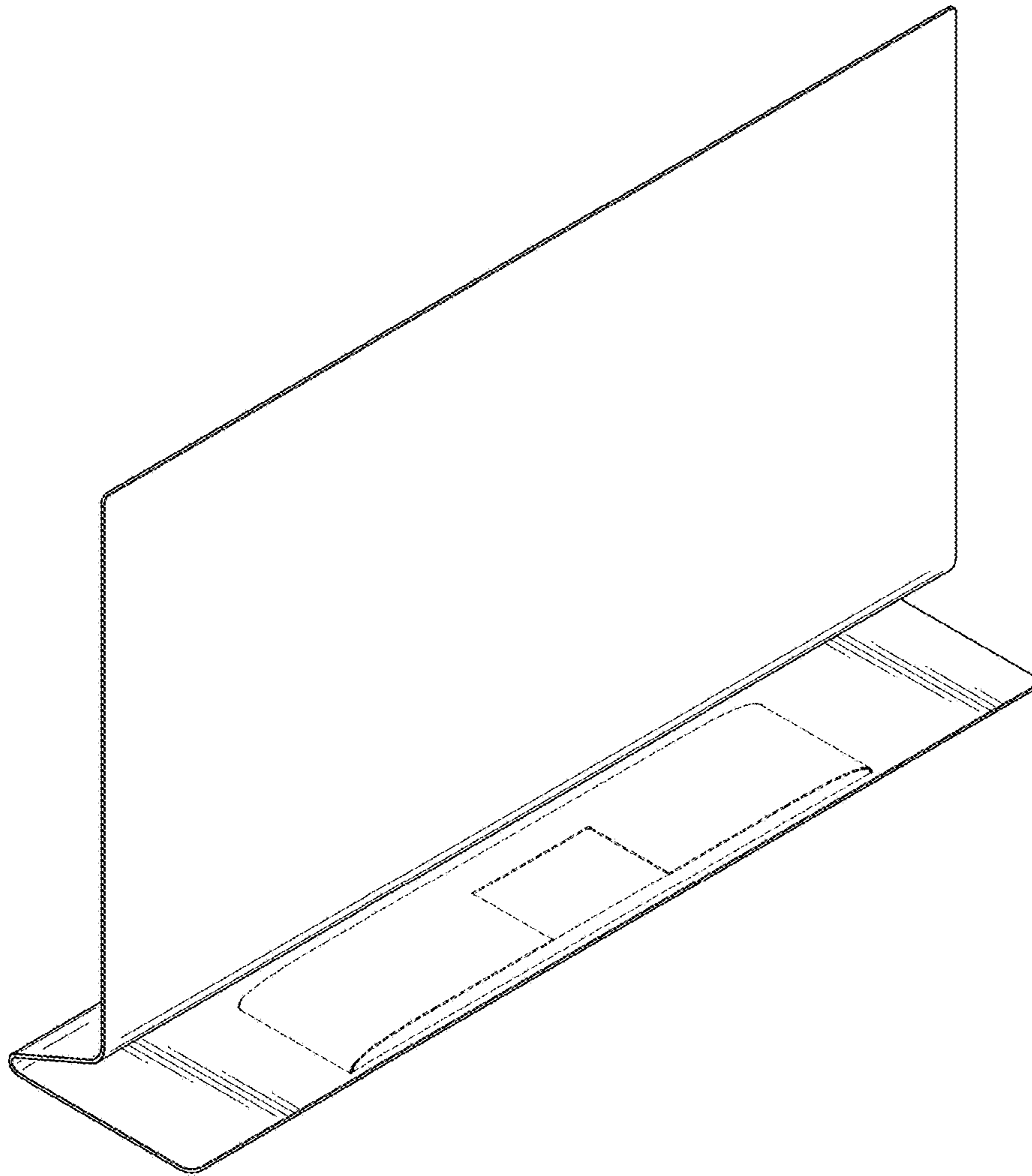


FIG.2

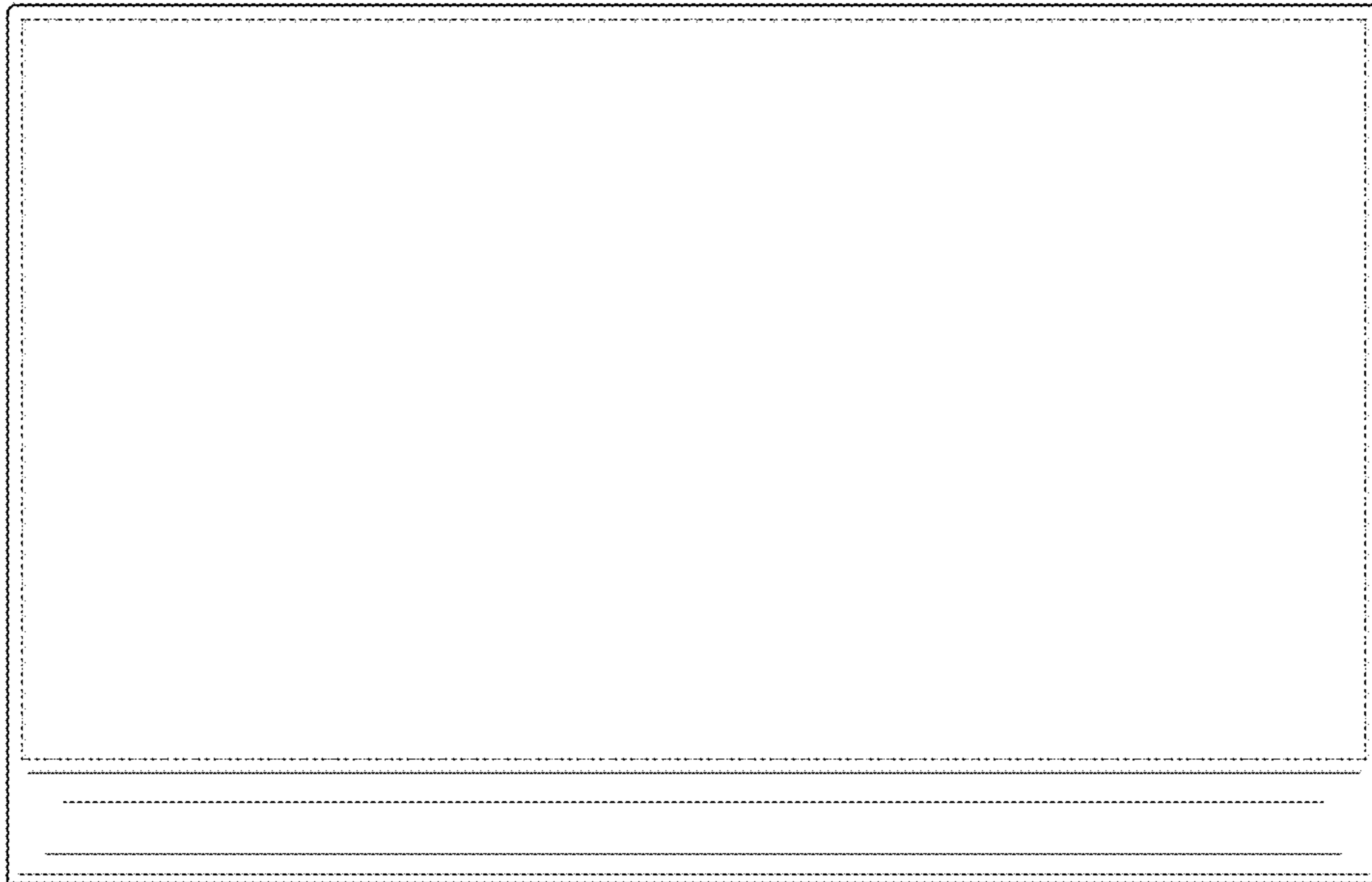


FIG.3

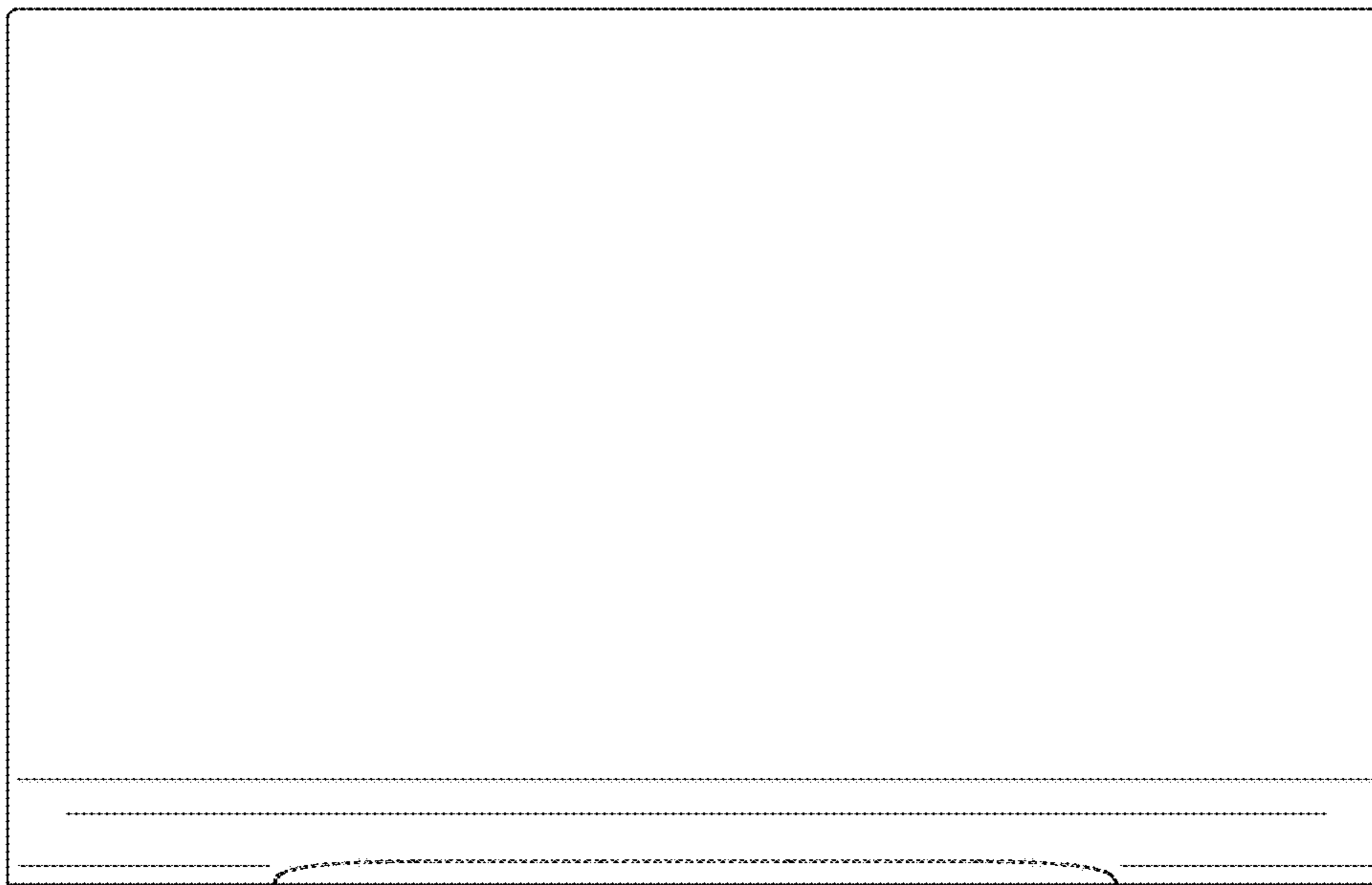


FIG.4

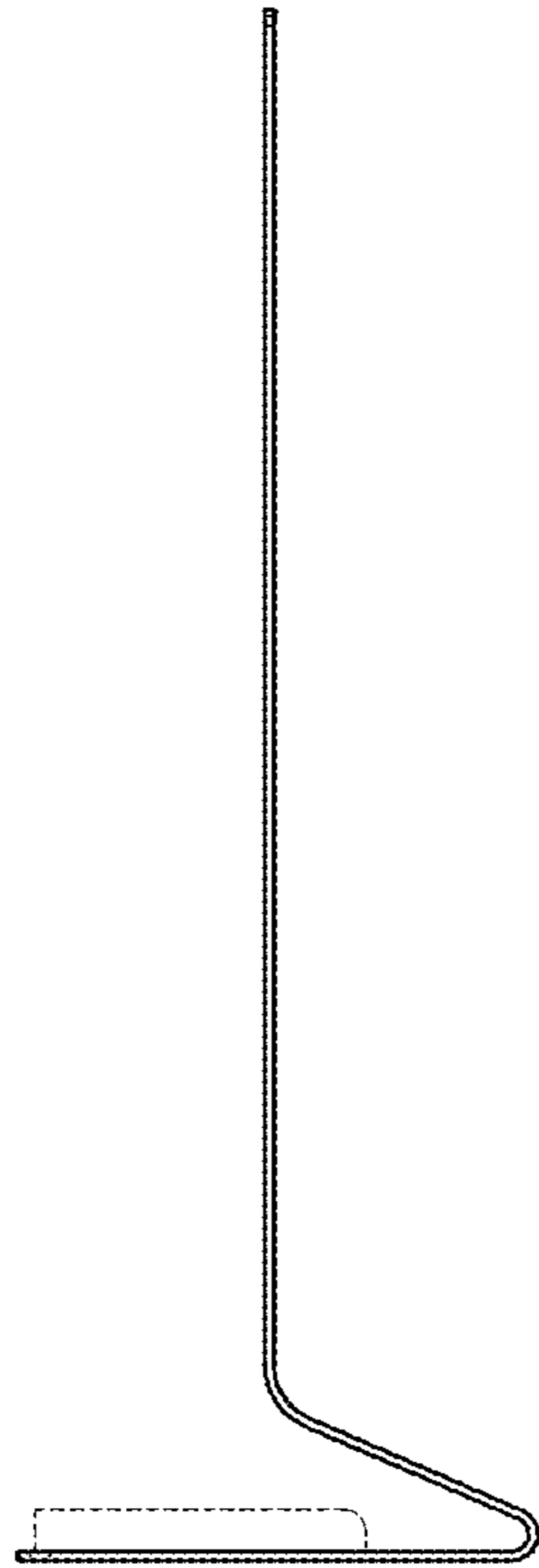


FIG.5

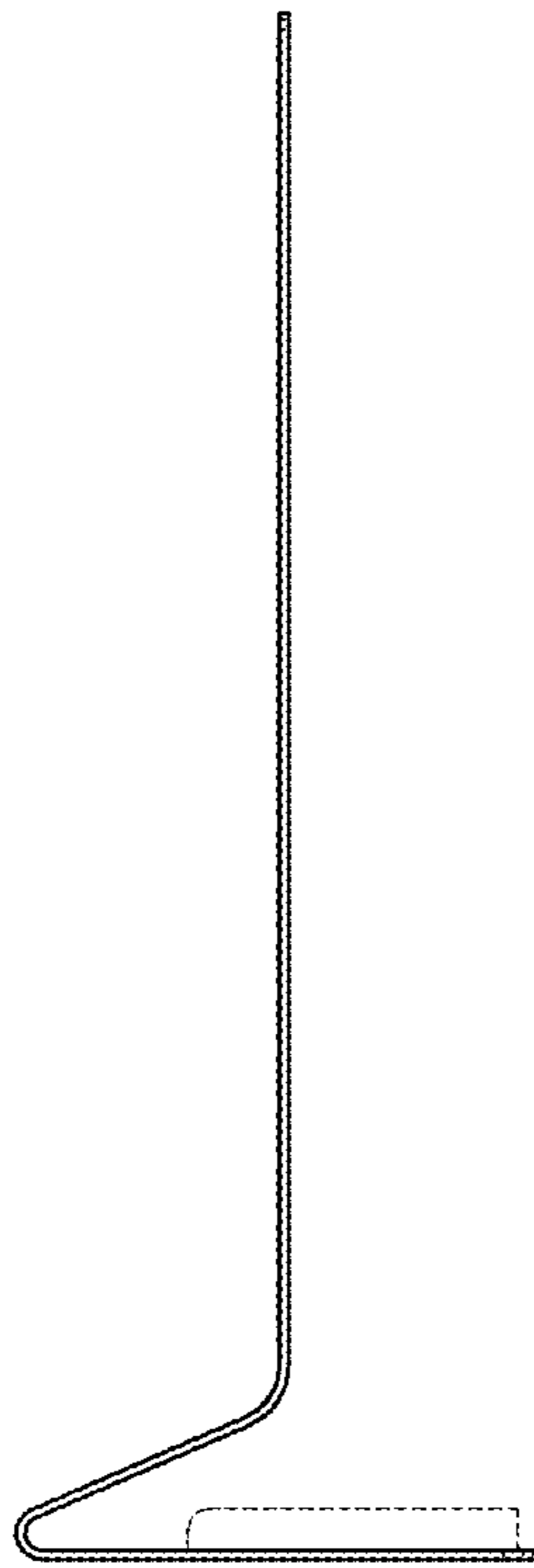


FIG.6

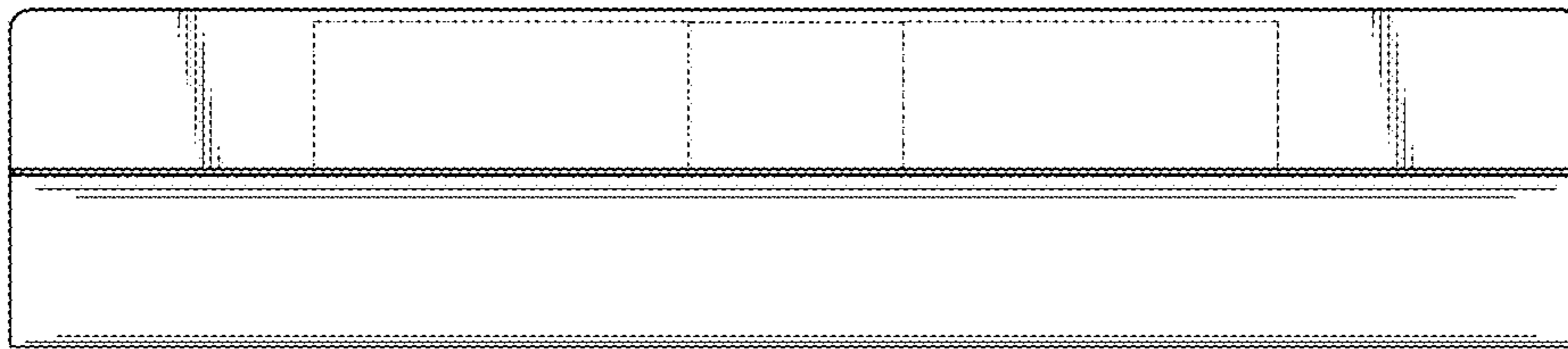


FIG.7

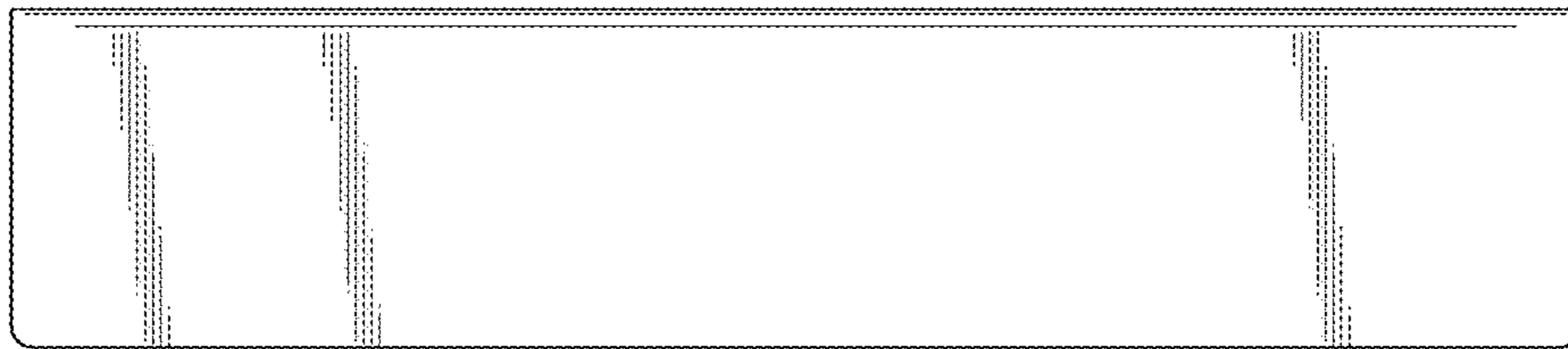


FIG.8