



US00D832838S

(12) **United States Design Patent**
Monroe et al.

(10) **Patent No.:** **US D832,838 S**

(45) **Date of Patent:** **** Nov. 6, 2018**

(54) **NETWORK SECURITY APPLIANCE**

(71) Applicant: **Fortress Information Security**,
Orlando, FL (US)

(72) Inventors: **Michael Monroe**, Silver Springs, FL
(US); **Steven M. Cloud**, Stow, OH
(US); **Brian Millif**, Kirtland, OH (US);
Patrick Brown, Cleveland Heights, OH
(US); **Peter Whitworth**, Shaker
Heights, OH (US)

(73) Assignee: **Fortress Cyber Security, LLC**,
Orlando, FL (US)

(**) Term: **15 Years**

(21) Appl. No.: **29/582,260**

(22) Filed: **Oct. 26, 2016**

(51) **LOC (11) Cl.** **14-02**

(52) **U.S. Cl.**
USPC **D14/358**; D14/240; D10/104.1

(58) **Field of Classification Search**
USPC D14/356-358, 388, 432, 496, 125, 129,
D14/140, 142, 155, 168, 188, 203.1, 204,
D14/210, 240, 242, 299, 149, 150, 171,
D14/172, 336; D13/103, 107, 108, 123,
D13/152, 162, 162.1, 163, 184, 199;
D10/104.1, 106.1, 106.6, 116.1, 61, 64,
D10/75, 1, 2, 3, 4, 15, 21, 29
CPC ... H04W 88/08; H04W 88/085; H04W 88/00;
H04W 88/005; H04W 88/02; H04W
88/12; H04W 88/14; H04W 88/16; H04W
88/18; H04W 4/00; H01Q 1/02; H01Q
1/2291; H01Q 1/246; H04B 1/38
See application file for complete search history.

(56) **References Cited**

U.S. PATENT DOCUMENTS

D276,156 S * 10/1984 Goodin D10/106.1
D292,926 S * 11/1987 Gillespie D14/242

D319,434 S * 8/1991 Lund D14/341
D344,944 S * 3/1994 Fontana D14/141.1
D354,752 S * 1/1995 Johnson D14/240
D362,855 S * 10/1995 Bevilacqua D14/240
D442,210 S * 5/2001 Chan D10/2
D468,735 S * 1/2003 Landerholm D14/336
D492,321 S * 6/2004 Farrar D14/435
D498,474 S * 11/2004 Leisinger D14/336
D507,566 S * 7/2005 Leisinger D14/336
D577,206 S * 9/2008 Chang D6/300
D583,060 S * 12/2008 Kitamura D24/165
D589,914 S * 4/2009 Wang D14/125

(Continued)

Primary Examiner — Susan Bennett Hattan

Assistant Examiner — Marie D. Fast Horse

(74) *Attorney, Agent, or Firm* — Foley and Lardner LLP

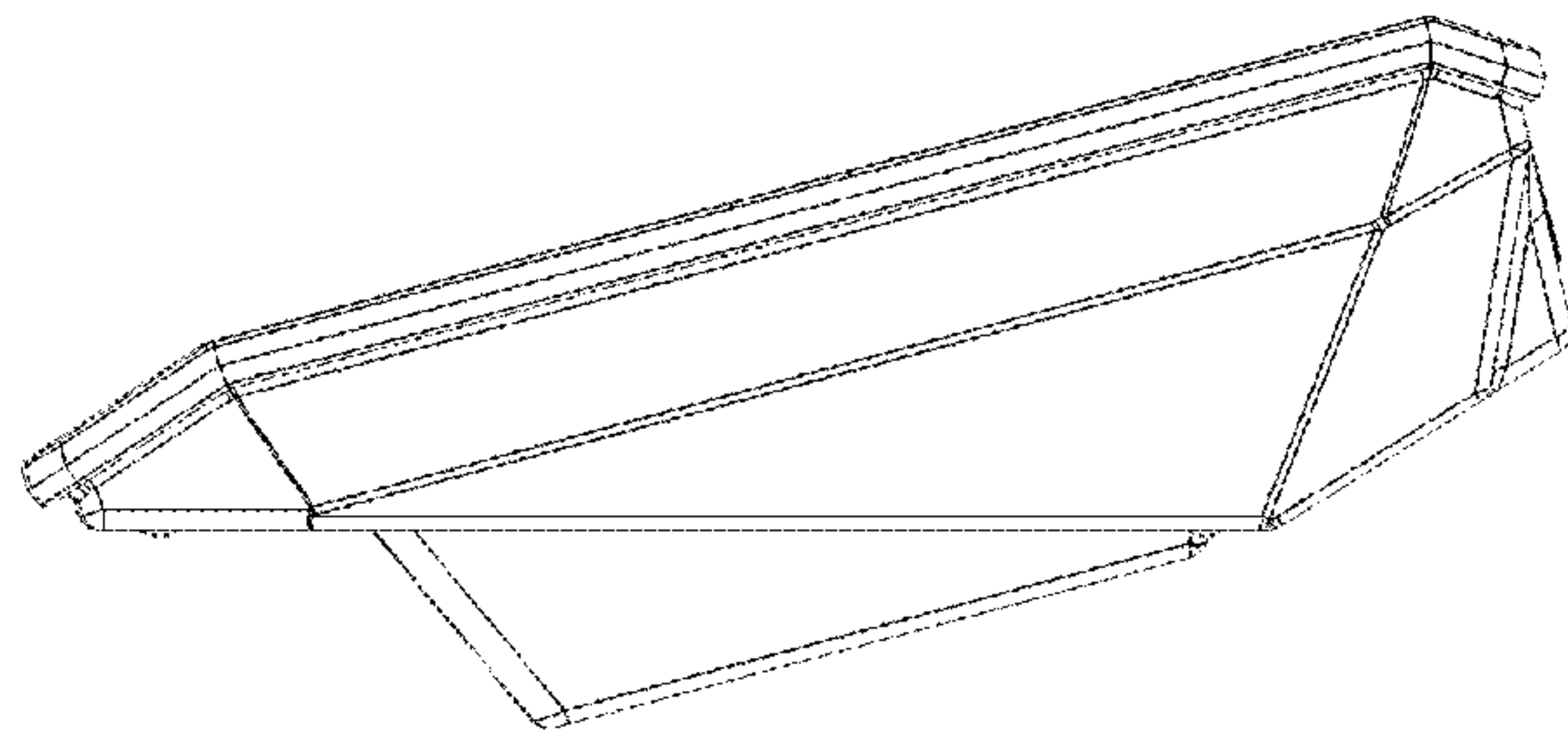
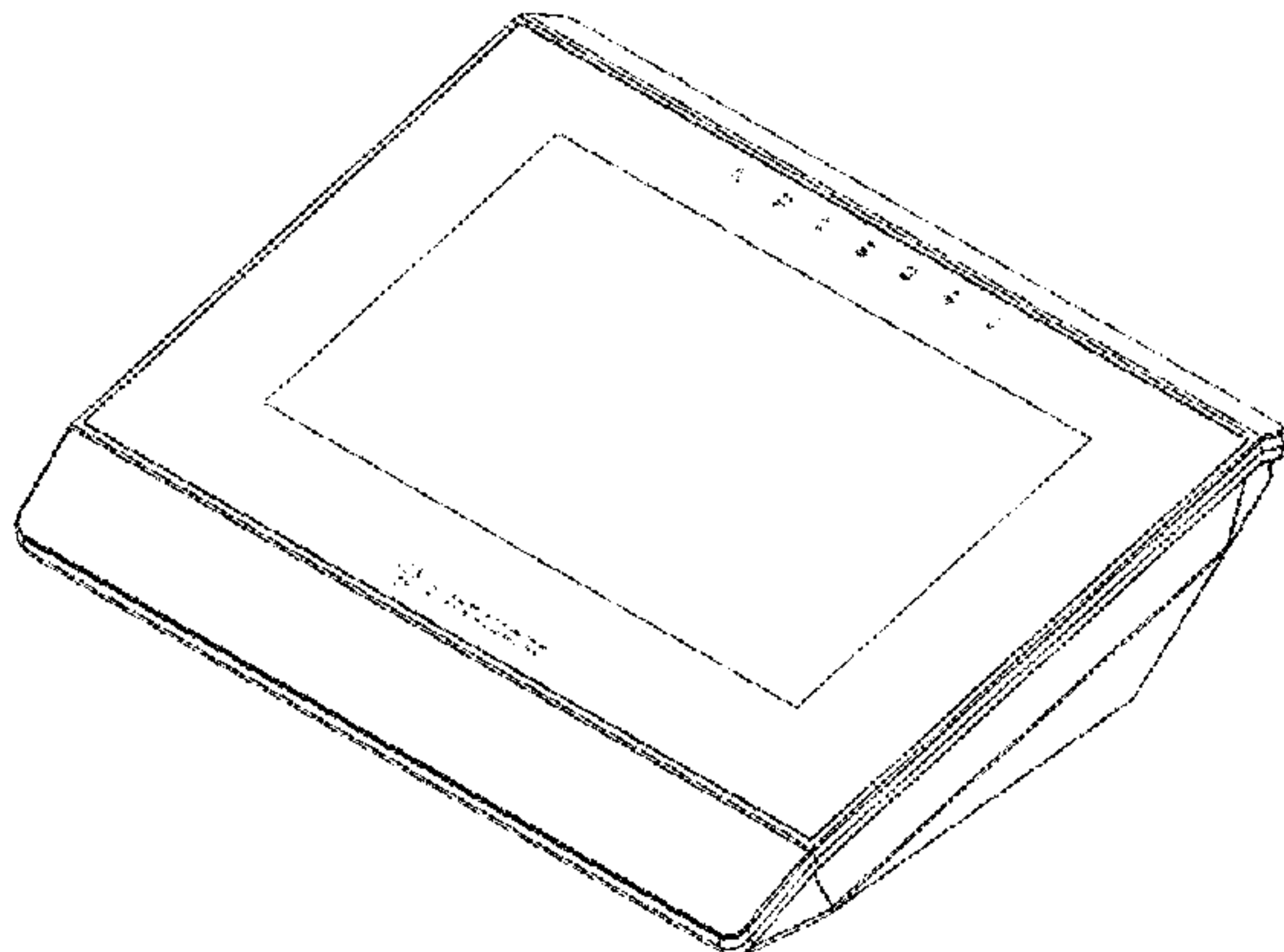
(57) **CLAIM**

The ornamental design for a network security device, as shown and described.

DESCRIPTION

FIG. 1 is a front perspective view of a network security appliance;
FIG. 2 is a top view of the network security appliance of FIG. 1;
FIG. 3 is a bottom view of the network security appliance of FIG. 1;
FIG. 4 is a right side view of the network security appliance of FIG. 1;
FIG. 5 is a left side view of the network security appliance of FIG. 1;
FIG. 6 is a front view of the network security appliance of FIG. 1; and,
FIG. 7 is a rear view of the network security appliance of FIG. 1.
The broken lines in the drawings depict portions of the network security appliance that form no part of the claimed design.

1 Claim, 7 Drawing Sheets



(56)

References Cited

U.S. PATENT DOCUMENTS

D600,689	S	*	9/2009	Jen	D14/300
D633,495	S	*	3/2011	Yoon	D14/240
D647,091	S	*	10/2011	Yoon	D14/240
D653,646	S	*	2/2012	Hovdal	D14/142
D658,175	S	*	4/2012	Goetzen	D14/371
D665,687	S	*	8/2012	Lee	D10/108
D673,952	S	*	1/2013	Toda	D14/383
D679,018	S	*	3/2013	Fullerton	D24/167
D685,355	S	*	7/2013	Holleman	D14/240
D691,096	S	*	10/2013	Beroukas	D13/162
D693,314	S	*	11/2013	McKeage	D13/162
D707,211	S	*	6/2014	Ho	D14/240
D709,046	S	*	7/2014	Broadbent	D14/142
D724,597	S	*	3/2015	Akana	D14/447
D745,512	S	*	12/2015	Lee	D14/336
D752,039	S	*	3/2016	Park	D14/203.3
D752,460	S	*	3/2016	Gnauck	D10/78
D759,253	S	*	6/2016	Bar-Or	D24/186
D764,460	S	*	8/2016	Veja	D14/358
D766,894	S	*	9/2016	Jeong	D14/358
D772,229	S	*	11/2016	Petit-Huguenin	D14/358
D775,127	S	*	12/2016	Strubi	D14/358
D789,362	S	*	6/2017	Eljas	D14/366

* cited by examiner

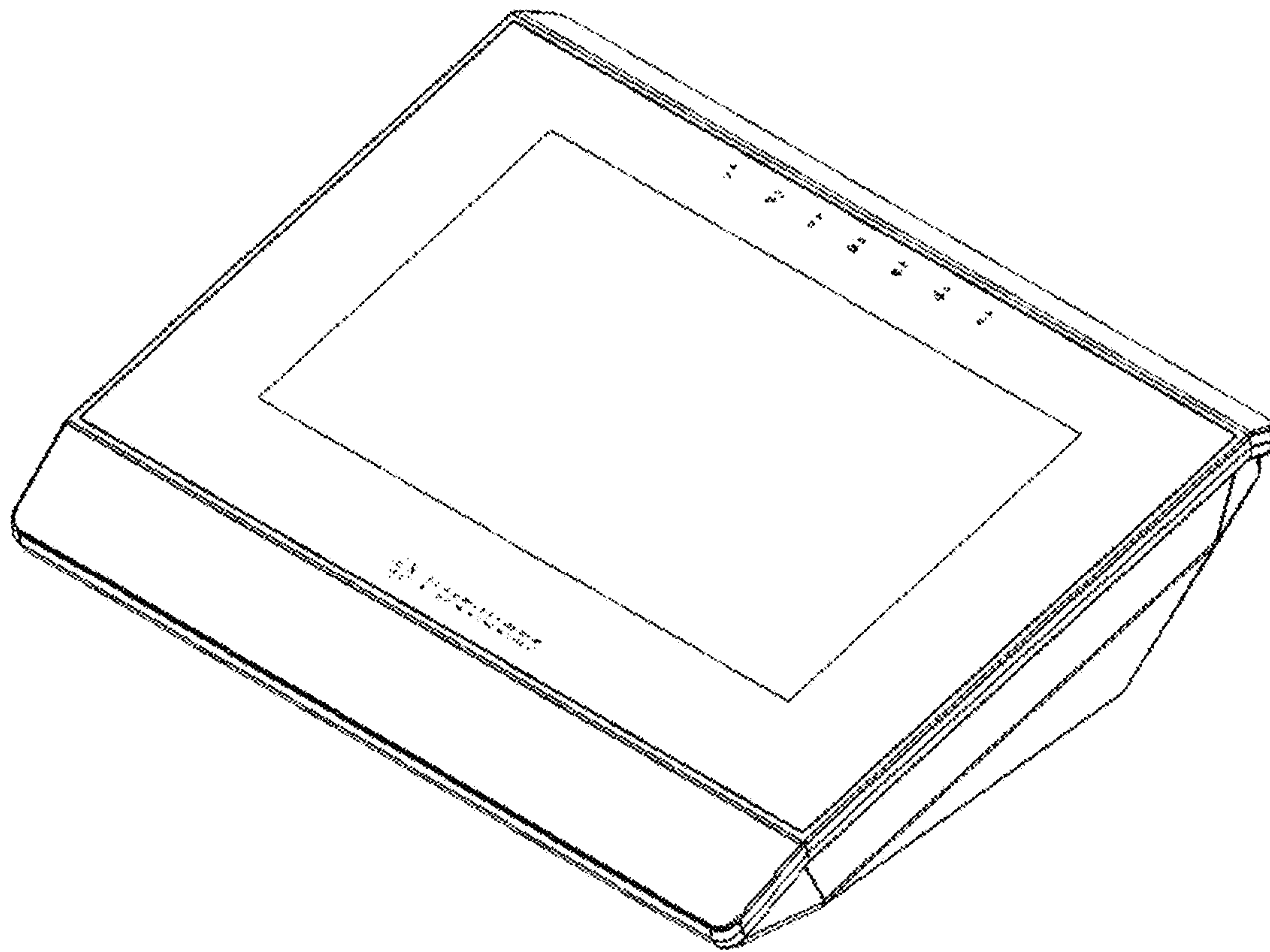


FIG. 1

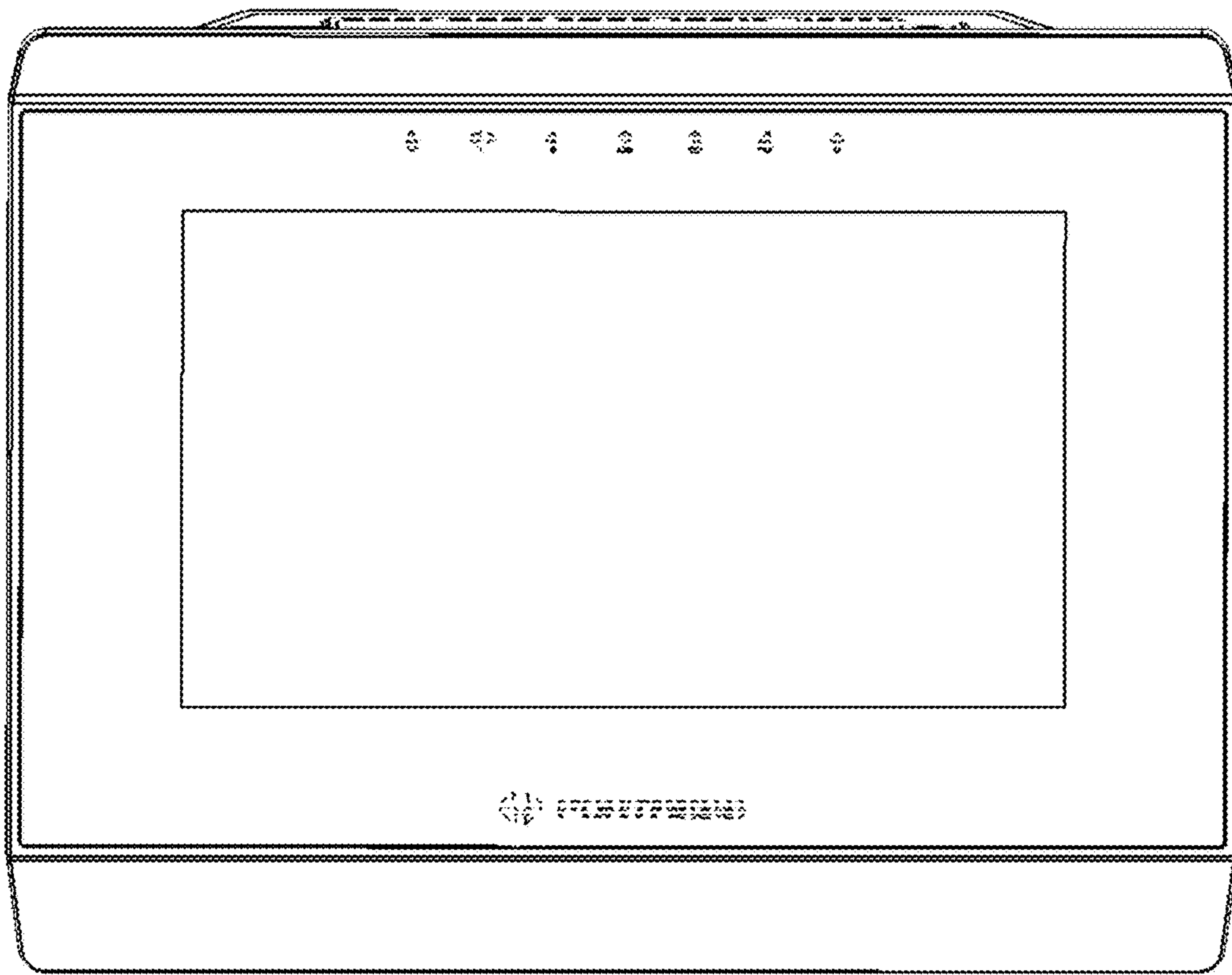


FIG. 2

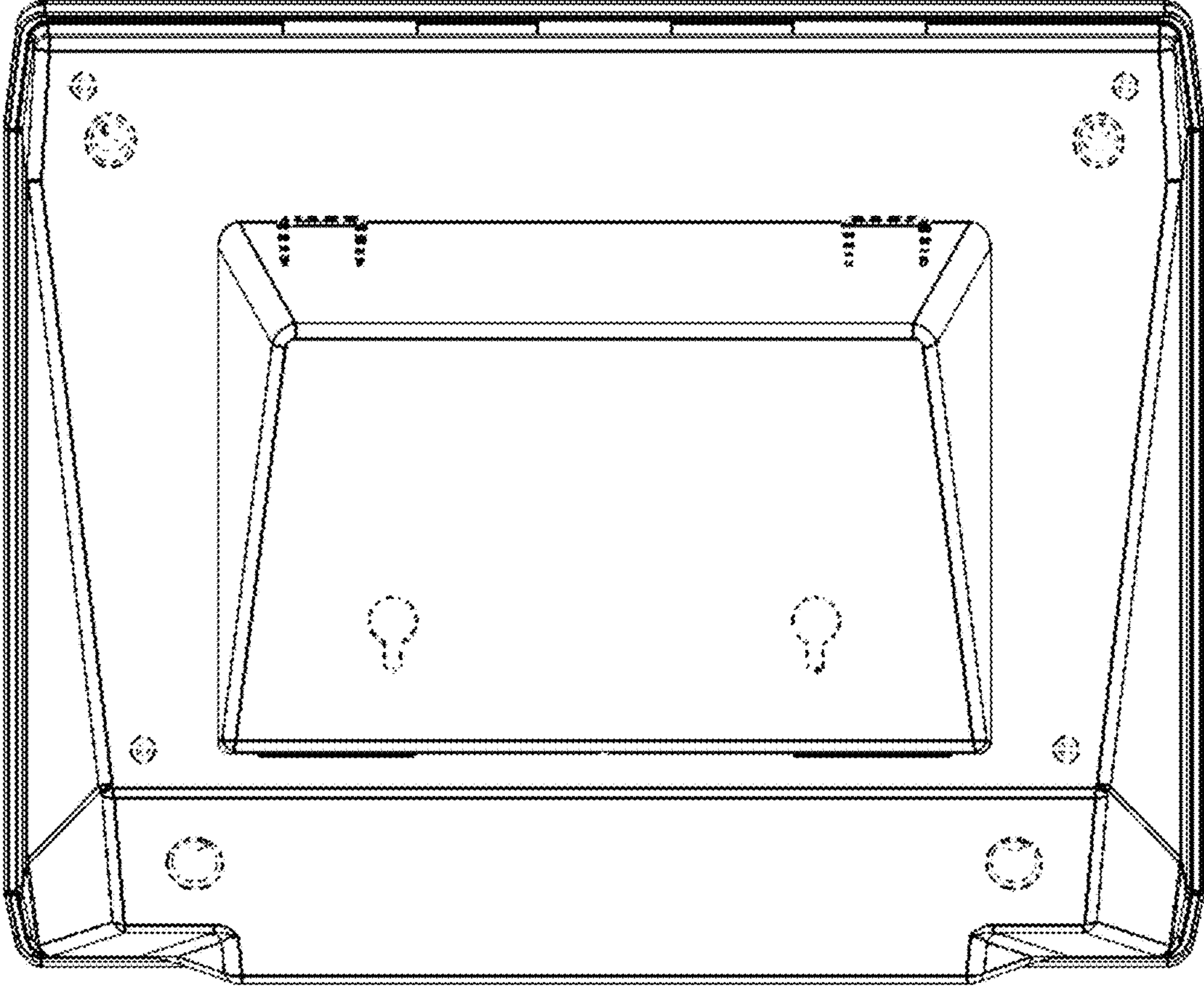


FIG. 3

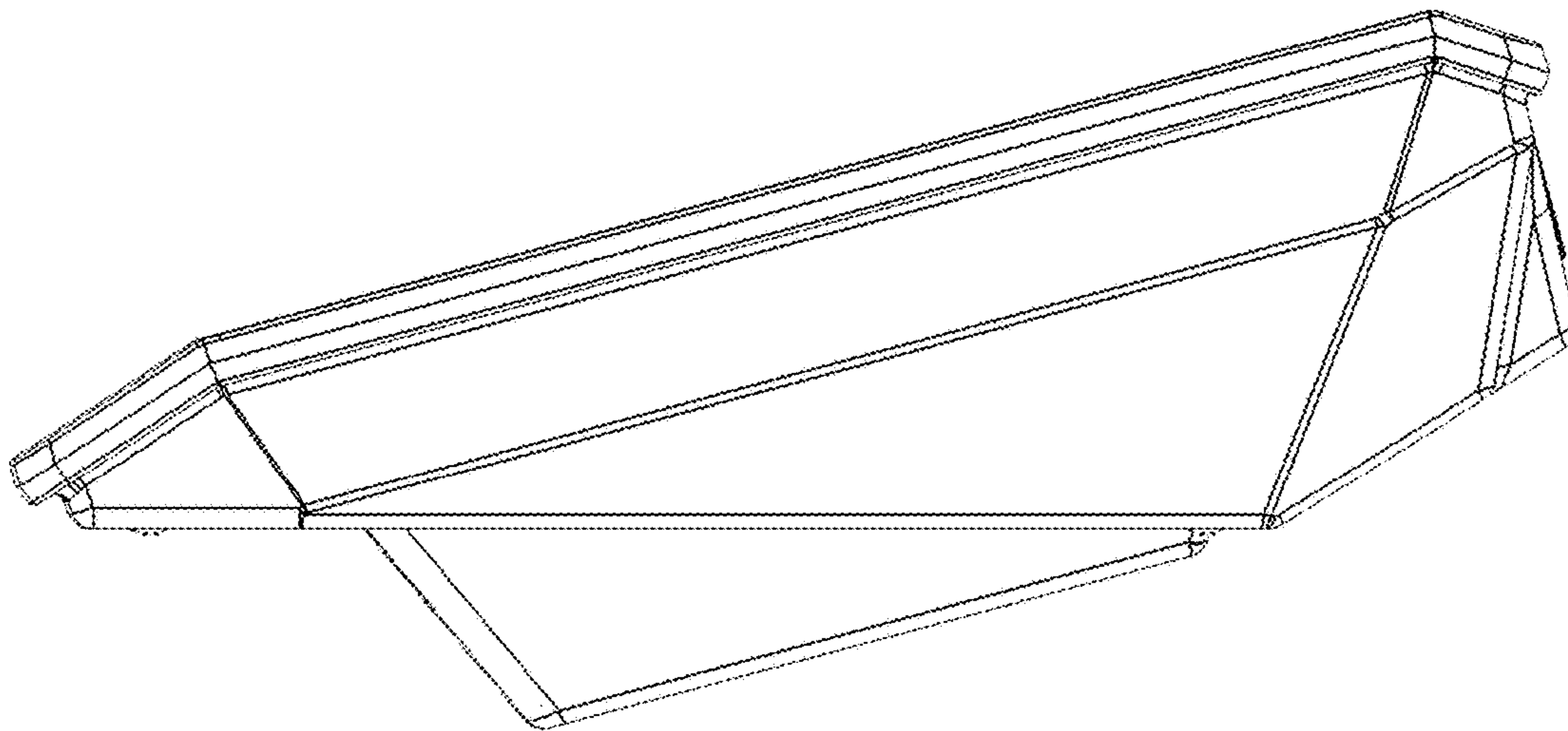


FIG. 4

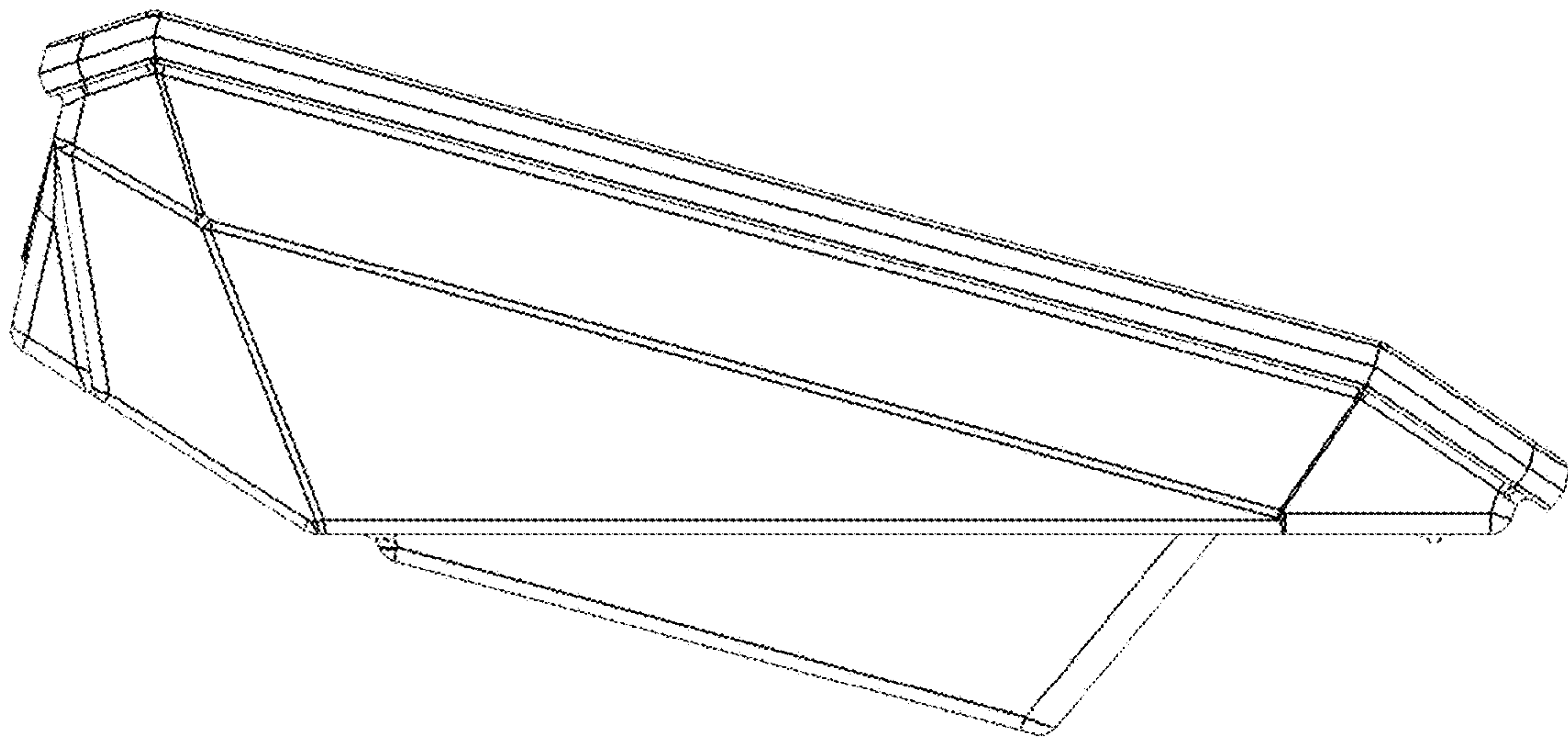


FIG. 5

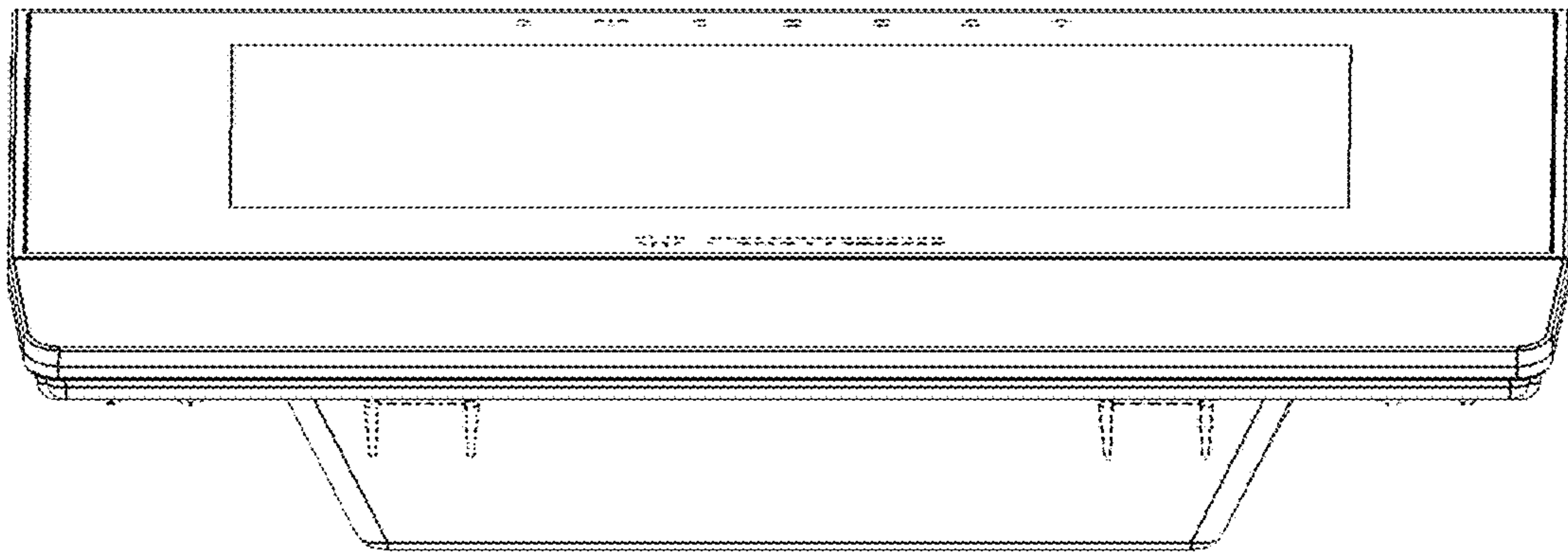


FIG. 6

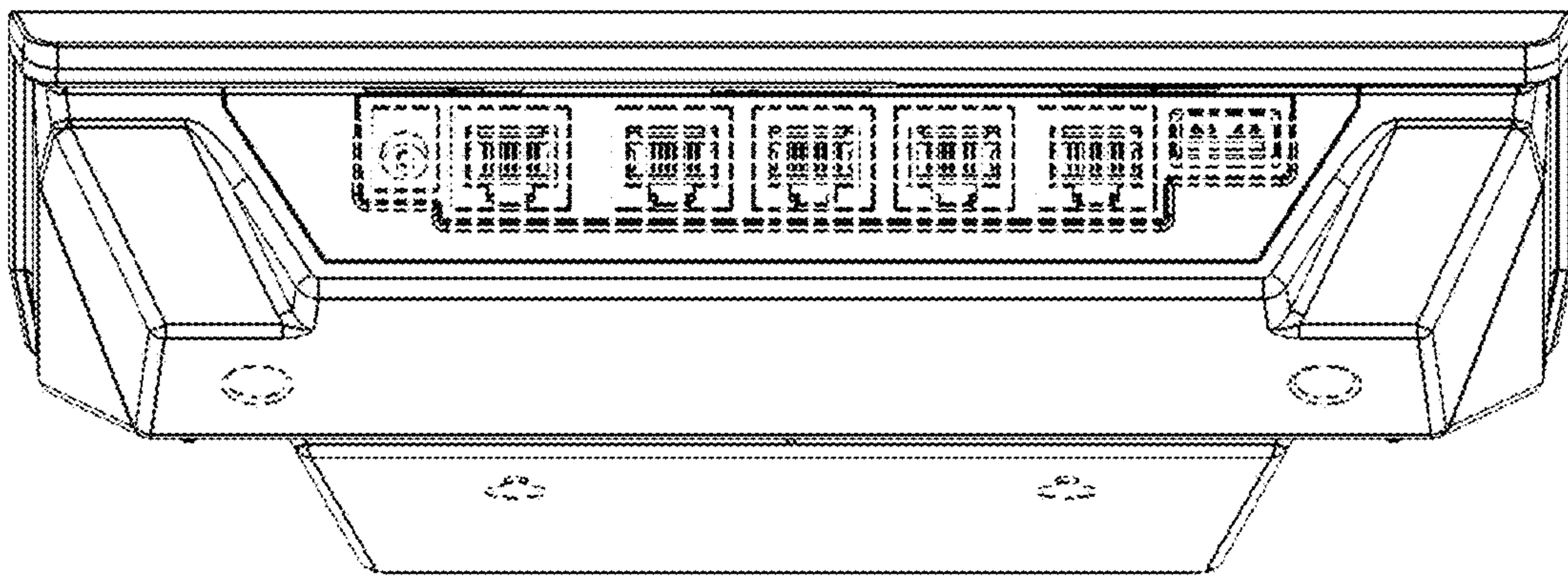


FIG. 7