



US00D832832S

(12) **United States Design Patent**
Lamb et al.

(10) **Patent No.:** **US D832,832 S**
(45) **Date of Patent:** **** Nov. 6, 2018**

(54) **SLEEVE ACCESSORY FOR A PORTABLE ELECTRONIC DEVICE**

D707,965 S * 7/2014 Requa D3/247
D719,143 S * 12/2014 Vidovic D14/250
D723,798 S * 3/2015 Sha D3/247

(Continued)

(71) Applicant: **CASE-MATE, INC.**, Atlanta, GA (US)

Primary Examiner — Susan E Krakower

(72) Inventors: **Elizabeth Georgia Lamb**, Atlanta, GA (US); **Amber Valentine Thompson**, Jersey City, NJ (US)

Assistant Examiner — L. A. Grabenstetter

(74) *Attorney, Agent, or Firm* — Gardner Groff Greenwald & Villanueva, PC

(73) Assignee: **CASE-MATE, INC.**, Atlanta, GA (US)

(57) **CLAIM**

(**) Term: **15 Years**

The ornamental design for a sleeve accessory for a portable electronic device, substantially as shown and described.

(21) Appl. No.: **29/594,419**

DESCRIPTION

(22) Filed: **Feb. 17, 2017**

(51) **LOC (11) Cl.** **14-03**

(52) **U.S. Cl.**

USPC **D14/250**; D3/249

(58) **Field of Classification Search**

USPC D3/201, 207, 208, 212, 218, 232, 233, D3/239, 242, 245–251, 269, 273, 301, D3/303; D13/103, 107, 108, 119; D14/137, 138 R, 138 AA, 138 C, 138 G, D14/203.3–203.7, 217, 238.1, 247, 248, D14/250, 251–253, 440

CPC H04B 1/3888; H04M 1/0283; H04M 1/0202; A45C 1/06; A45C 2011/002; A45C 23/02; A45C 11/00; A45F 2005/028; A45F 2200/0525; A45F 2200/0518

See application file for complete search history.

FIG. 1 is a perspective view showing the environment of a sleeve accessory for a portable electronic device according to the design in use with a portable electronic device.

FIG. 2 is a front perspective view of the sleeve accessory for a portable electronic device according to an embodiment of the design.

FIG. 3 is a rear perspective view of the sleeve accessory for a portable electronic device of FIG. 2.

FIG. 4 is a front view of the sleeve accessory for a portable electronic device of FIG. 2.

FIG. 5 is a back view of the sleeve accessory for a portable electronic device of FIG. 2.

FIG. 6 is a first side view of the sleeve accessory for a portable electronic device of FIG. 2.

FIG. 7 is a second side view of the sleeve accessory for a portable electronic device of FIG. 2.

FIG. 8 is a first end view of the sleeve accessory for a portable electronic device of FIG. 2; and,

FIG. 9 is a second end view of the sleeve accessory for a portable electronic device of FIG. 2.

The broken lines depicting cards, money, and a device and device case, in FIG. 1, represent environmental subject matter that forms no part of the claimed design.

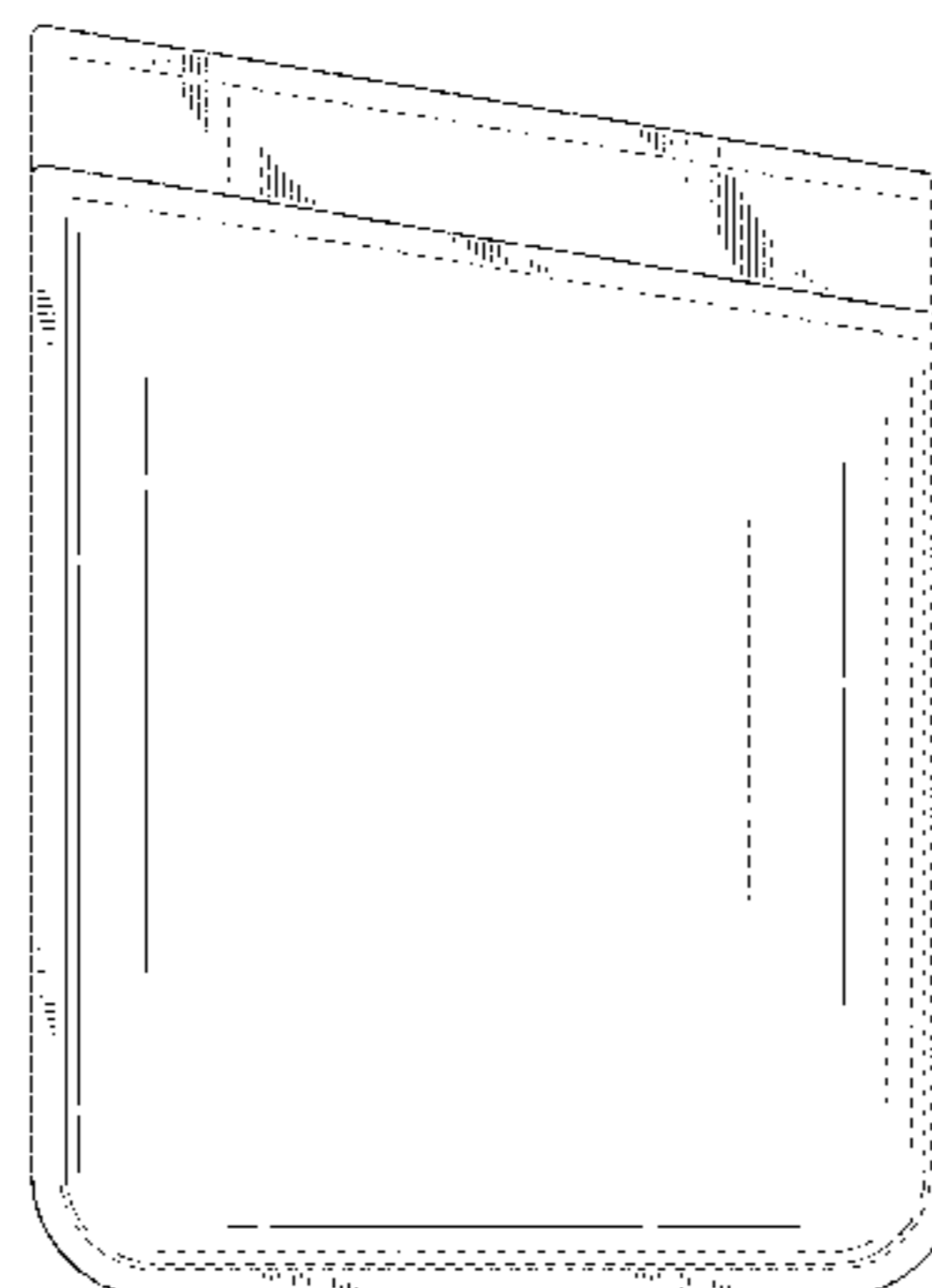
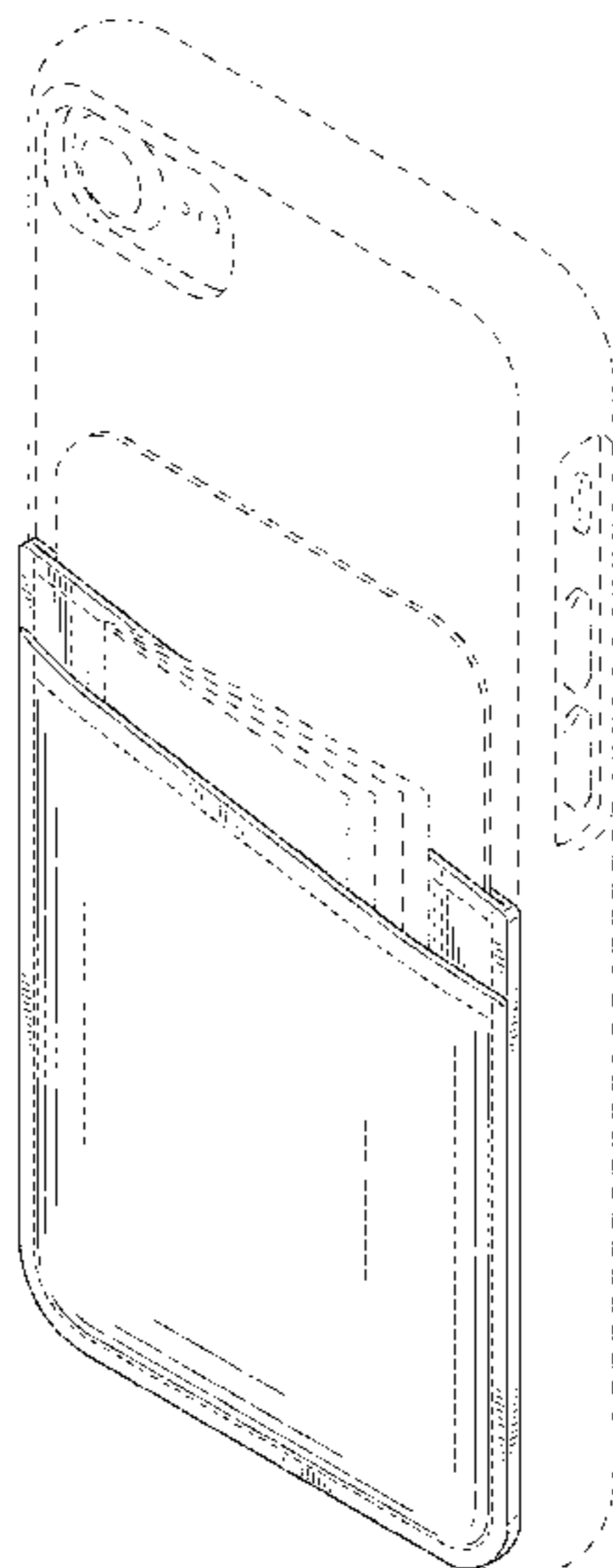
The broken lines on the surface of the claim, in FIGS. 1-7, represent unclaimed stitching.

(56) **References Cited**

U.S. PATENT DOCUMENTS

D431,719 S * 10/2000 Mucarquer D3/247
D446,647 S * 8/2001 Protheroe D3/247
D561,469 S * 2/2008 Jensen D3/247
D647,697 S * 11/2011 Littleton D3/249
D694,007 S * 11/2013 D'Amore D3/247
D694,009 S * 11/2013 D'Amore D3/249

1 Claim, 4 Drawing Sheets



(56)

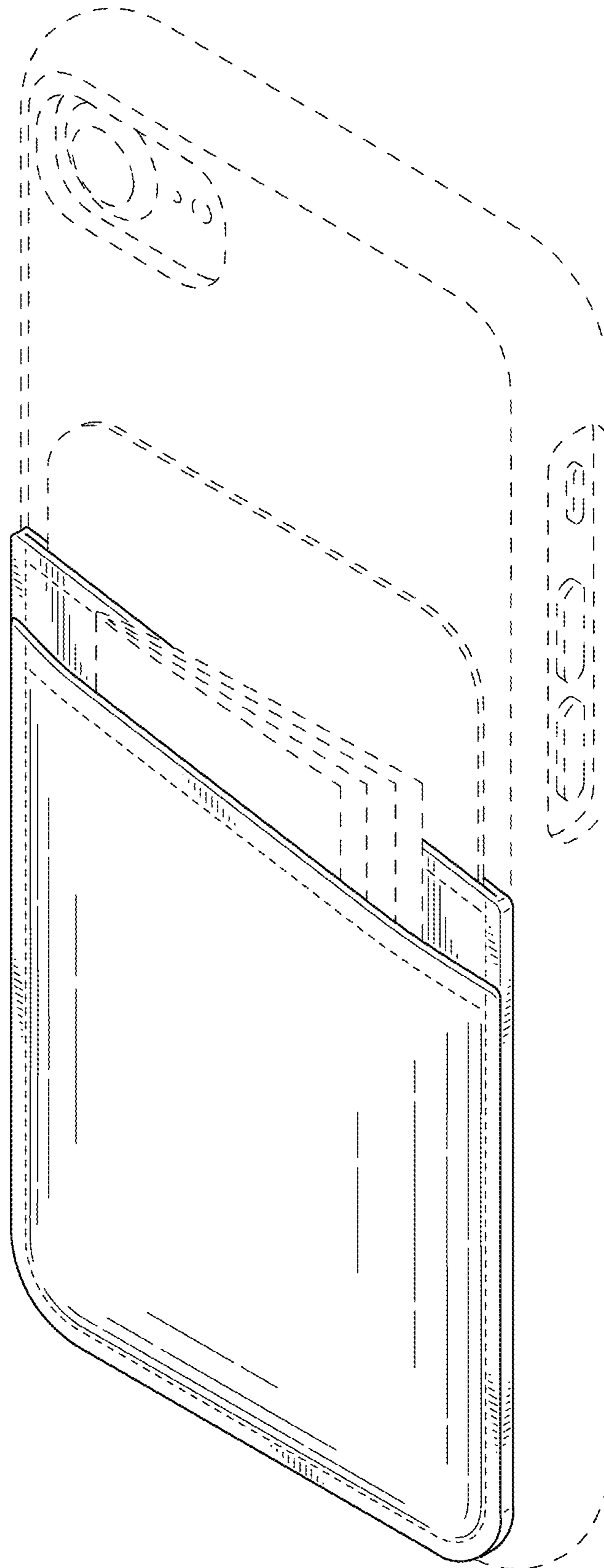
References Cited

U.S. PATENT DOCUMENTS

D728,230 S * 5/2015 Oas D3/247
D751,289 S * 3/2016 Gluck D3/247
D776,426 S * 1/2017 Smith D3/247

* cited by examiner

FIG. 1



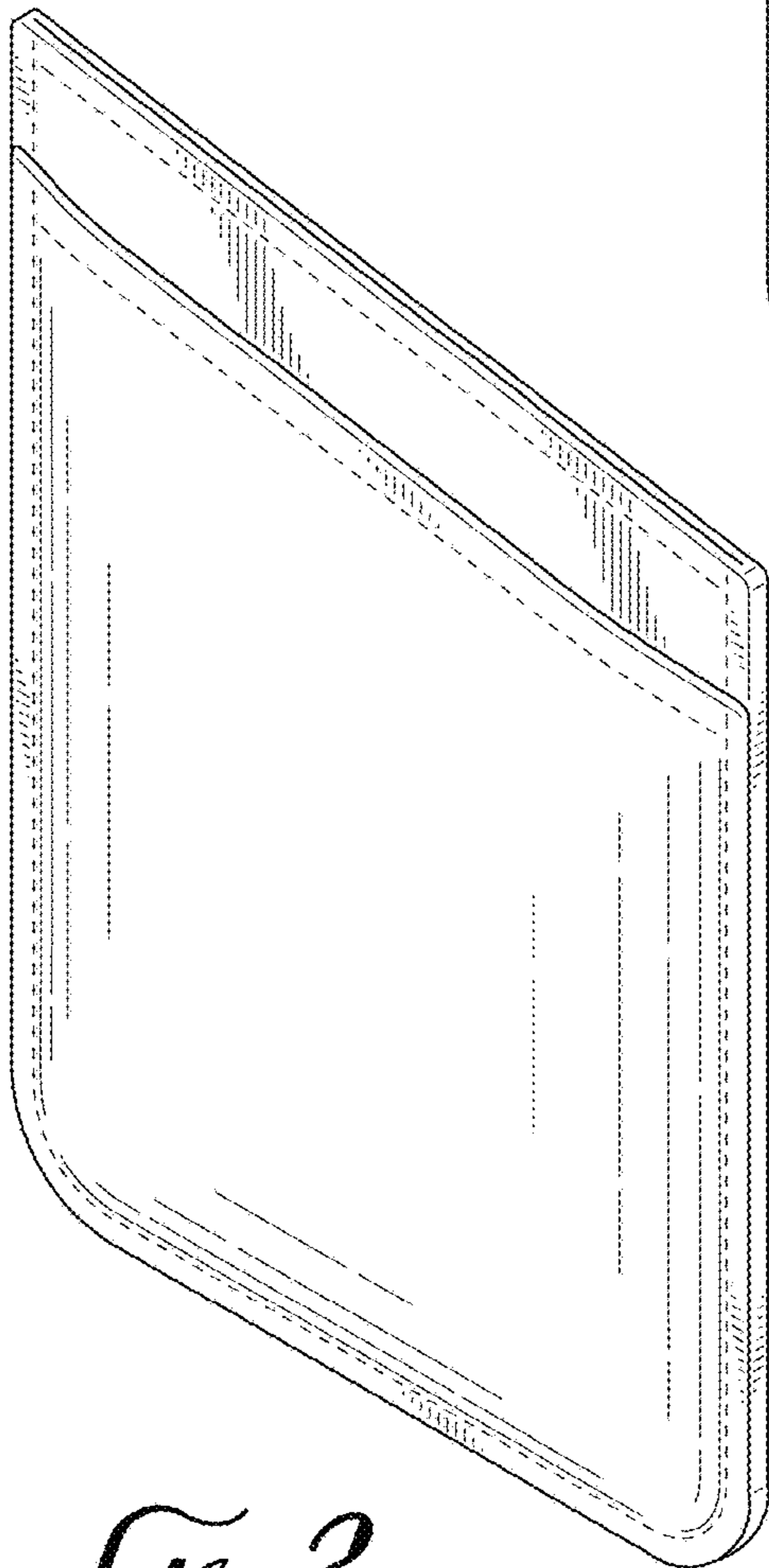


FIG. 2

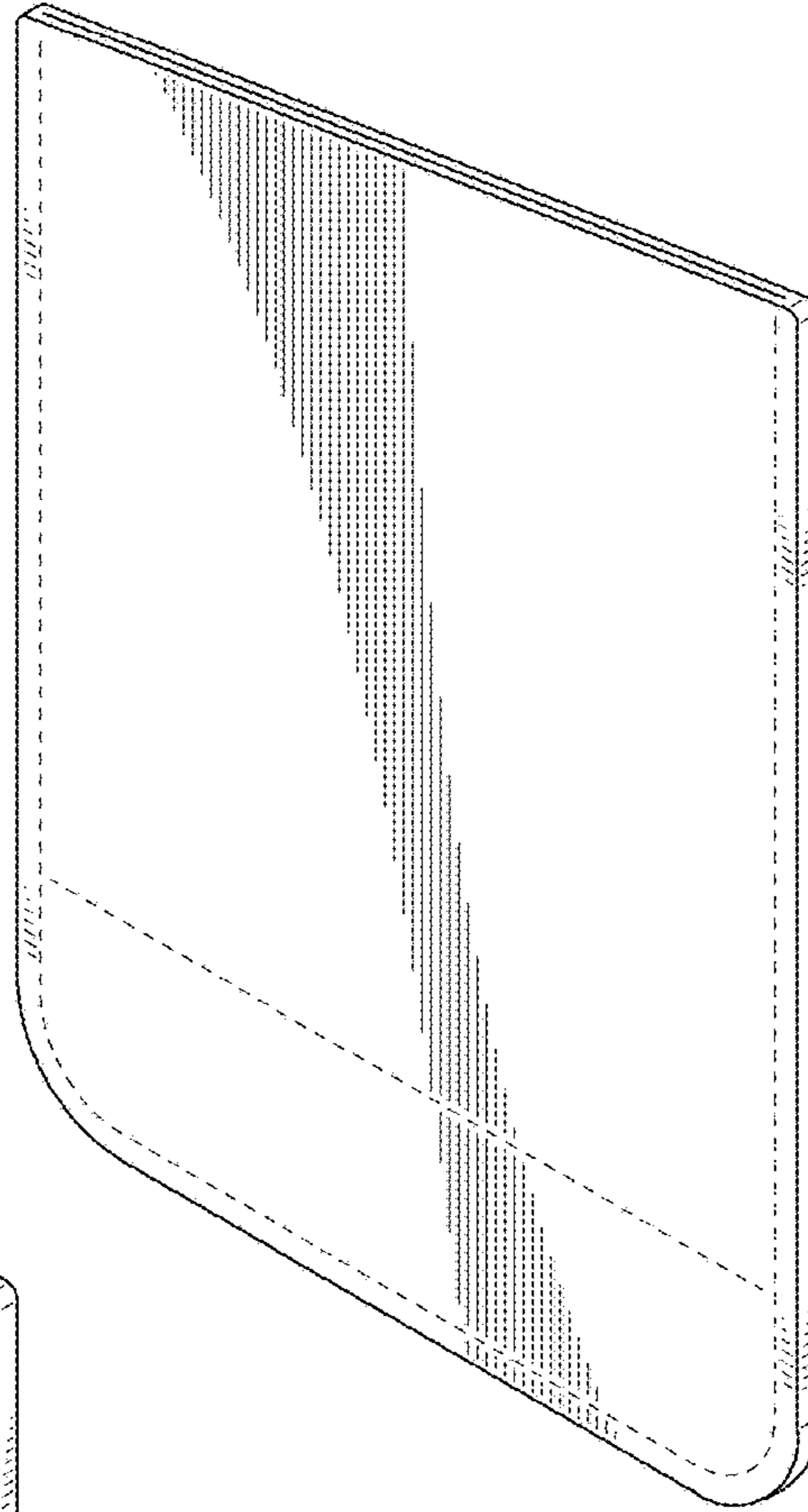


FIG. 3

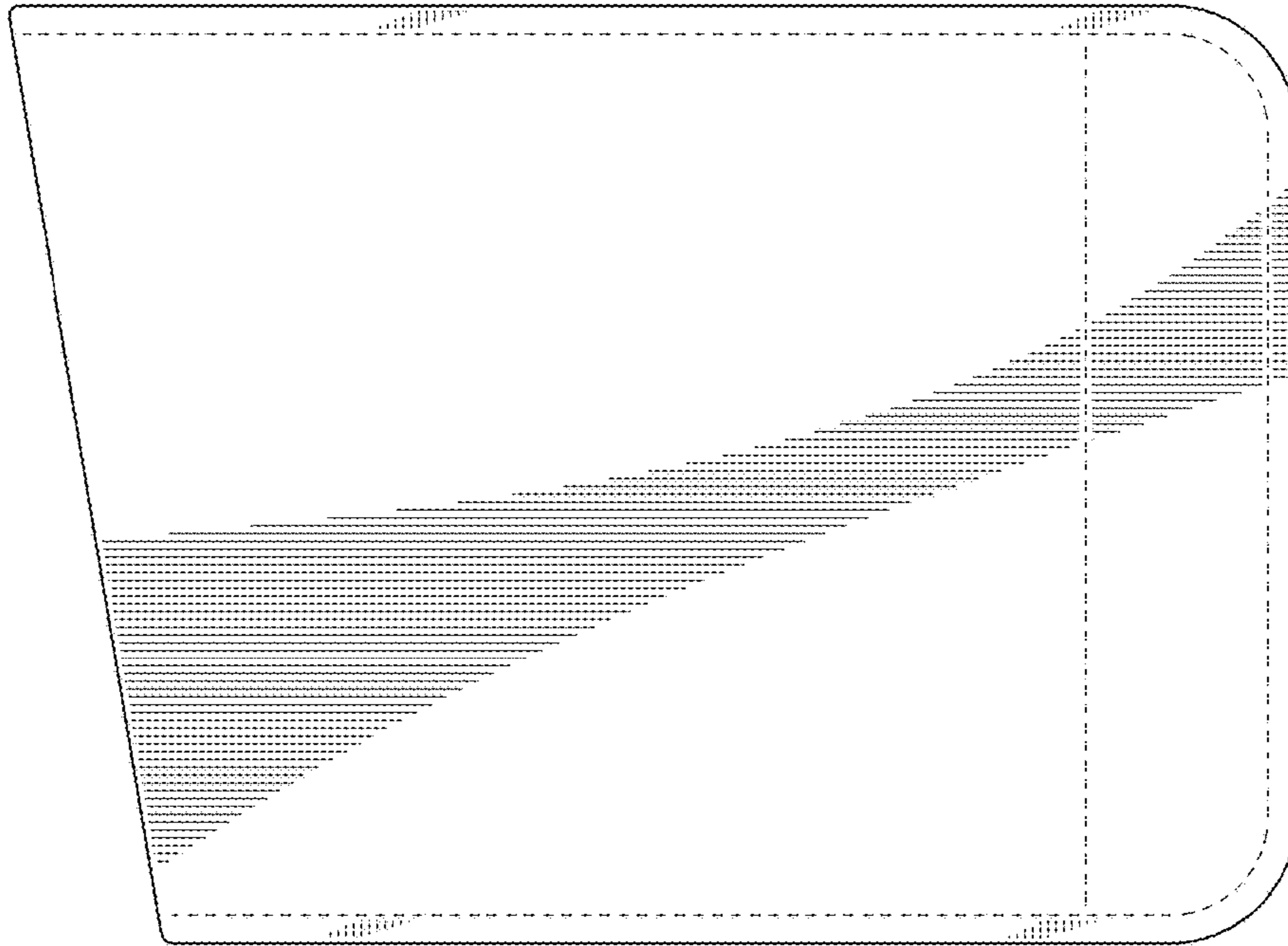


FIG. 5

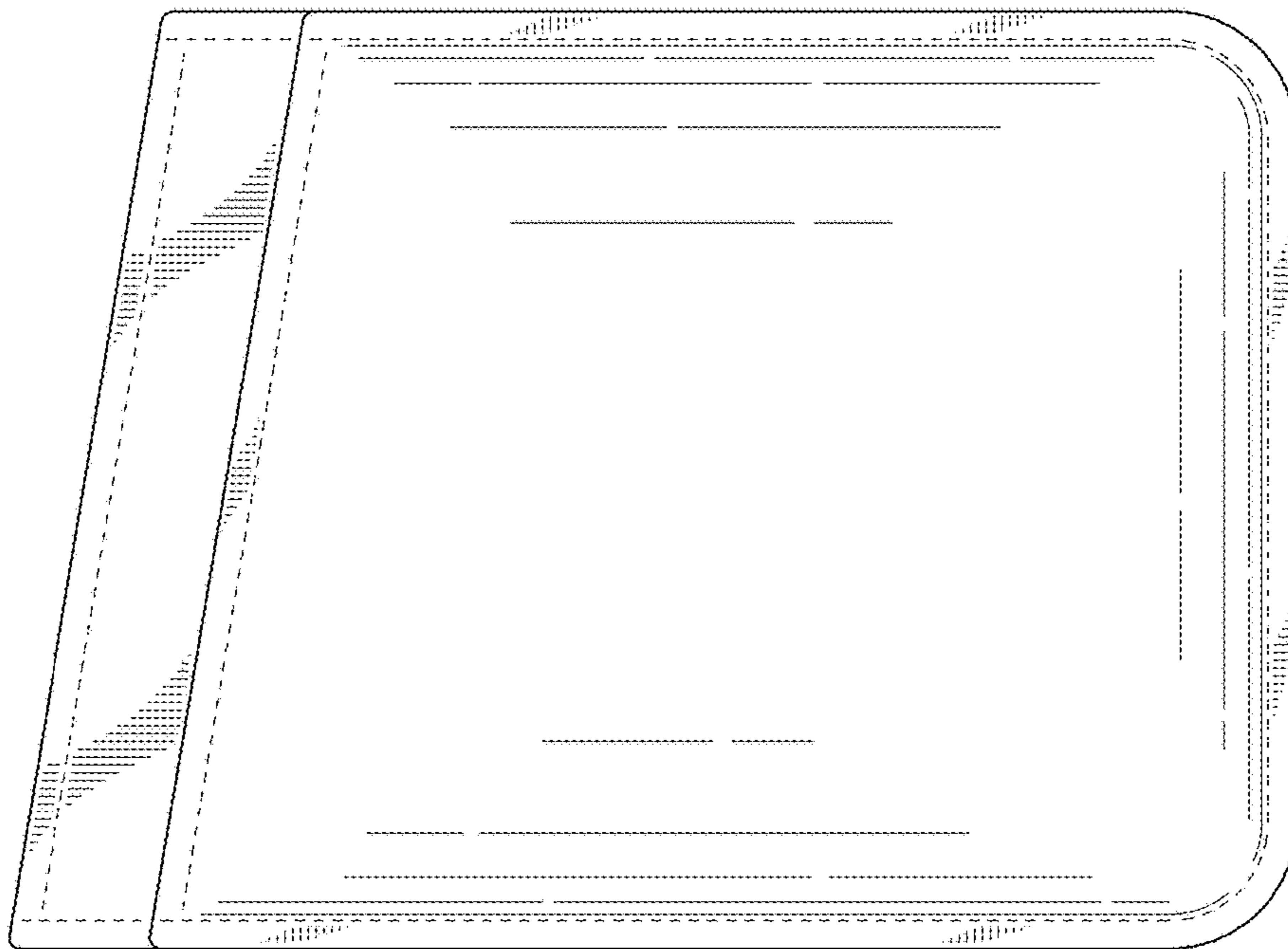


FIG. 4

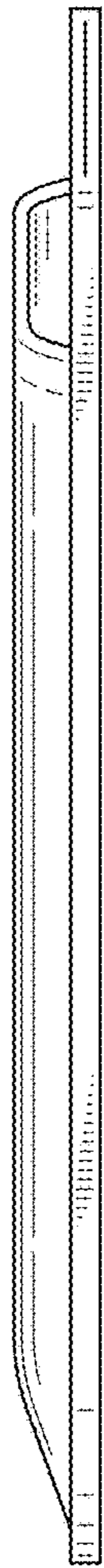


FIG. 6



FIG. 7

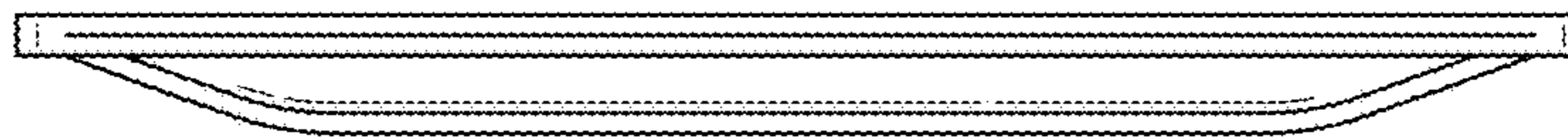


FIG. 8



FIG. 9