

US00D832828S

(12) **United States Design Patent** (10) **Patent No.:** **US D832,828 S**
Williams et al. (45) **Date of Patent:** **** Nov. 6, 2018**

(54) **MOUNTING APPARATUS**

(71) Applicant: **QuirkLogic, Inc.**, Calgary (CA)

(72) Inventors: **Patrick Douglas Henry Williams**,
Ottawa (CA); **James Patrick Henderson**,
Ottawa (CA); **Duncan James Gibbons**,
Ottawa (CA)

(73) Assignee: **Quirklogic, Inc.**, Calgary, Alberta

(**) Term: **15 Years**

(21) Appl. No.: **29/589,372**

(22) Filed: **Dec. 30, 2016**

(51) **LOC (11) Cl.** **14-03**

(52) **U.S. Cl.**
USPC **D14/239**

(58) **Field of Classification Search**
USPC D14/125-134, 239, 371, 136, 374-377,
D14/440, 450, 448, 336, 342, 159;
312/7.2; 348/836, 838, 180, 184, 325,
348/739; 248/917-924, 465; 345/104,
345/133, 156, 168, 87, 173; D21/329,
D21/515, 577, 622, 333, 433, 448, 452,
D21/450, 331, 505; D10/15, 26;
446/484, 175, 356; D6/477, 479, 300;
D24/185; D34/14; D8/348
CPC ... G06F 1/1601; G06F 1/1643; H05K 5/0004;
H05K 5/0017; H05K 5/02; H05K 5/0217
See application file for complete search history.

(56) **References Cited**

U.S. PATENT DOCUMENTS

7,537,189 B2 * 5/2009 Jung F16M 11/10
248/281.11
8,154,885 B2 * 4/2012 Anderson F16M 13/02
248/917

9,125,502 B2 * 9/2015 Gwag A47F 5/0884
D749,549 S * 2/2016 Wengreen D14/239
9,408,465 B2 * 8/2016 Dowling F16M 11/10
D767,973 S 10/2016 DeDios-Shirley et al.

OTHER PUBLICATIONS

Taiwan Examination Notification in corresponding TW Application
No. 106303054, dated Nov. 10, 2017 (5 pages).

* cited by examiner

Primary Examiner — Randall H Gholson

(74) *Attorney, Agent, or Firm* — Chamberlain, Hrdlicka,
White, Williams & Aughtry

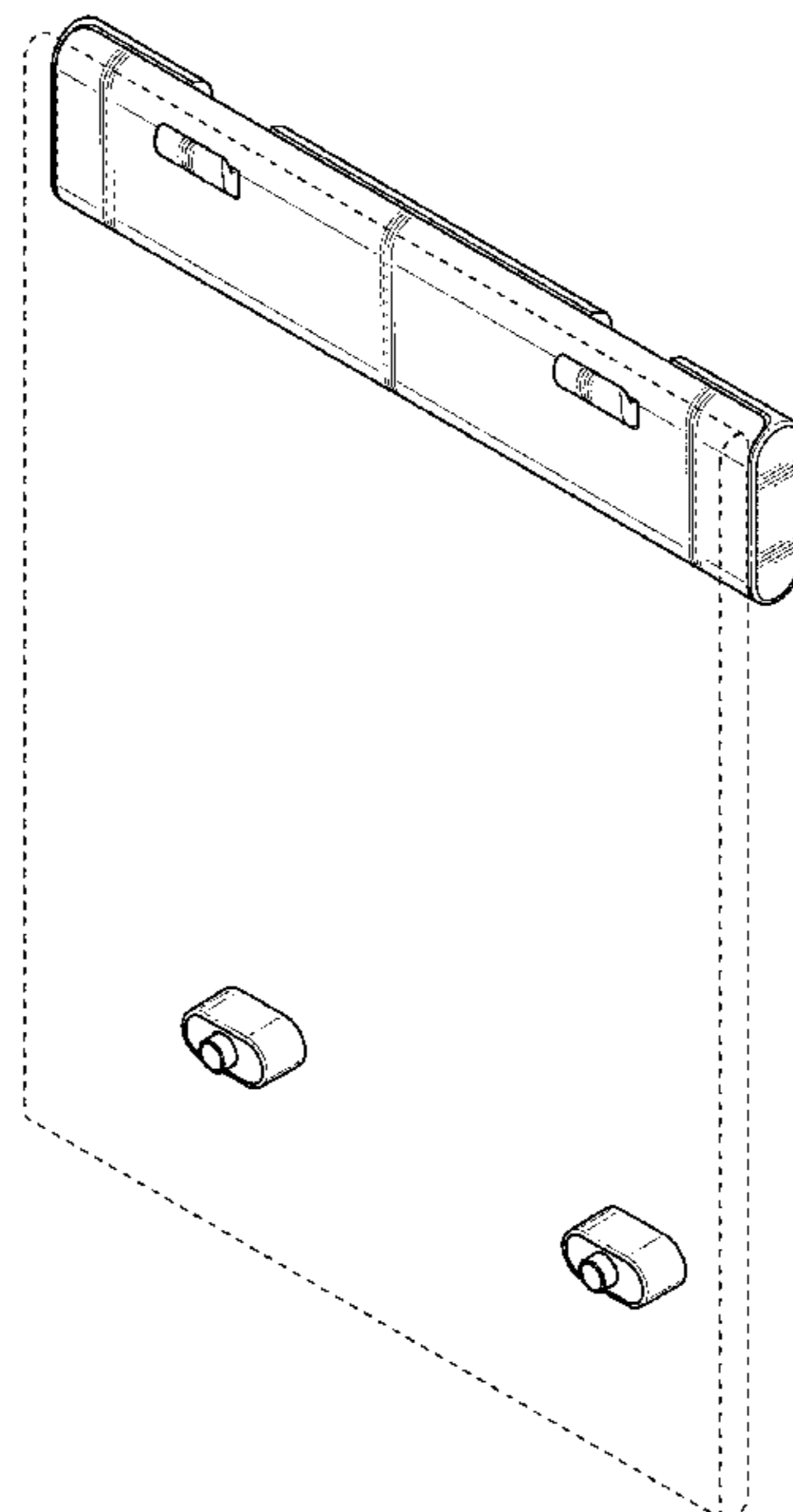
(57) **CLAIM**

The ornamental design for a mounting apparatus, as shown
and described.

DESCRIPTION

FIG. 1 is a perspective view of a mounting apparatus
showing our new design;
FIG. 2 is a right side view of the mounting apparatus of FIG.
1;
FIG. 3 is a left side view of the mounting apparatus of FIG.
1;
FIG. 4 is a front view of the mounting apparatus of FIG. 1;
FIG. 5 is a rear view of the mounting apparatus of FIG. 1;
FIG. 6 is a top view of the mounting apparatus of FIG. 1;
and,
FIG. 7 is a bottom view of the mounting apparatus of FIG.
1.
The broken lines depict unclaimed portions of the mounting
apparatus and form no part of the claimed design.

1 Claim, 5 Drawing Sheets



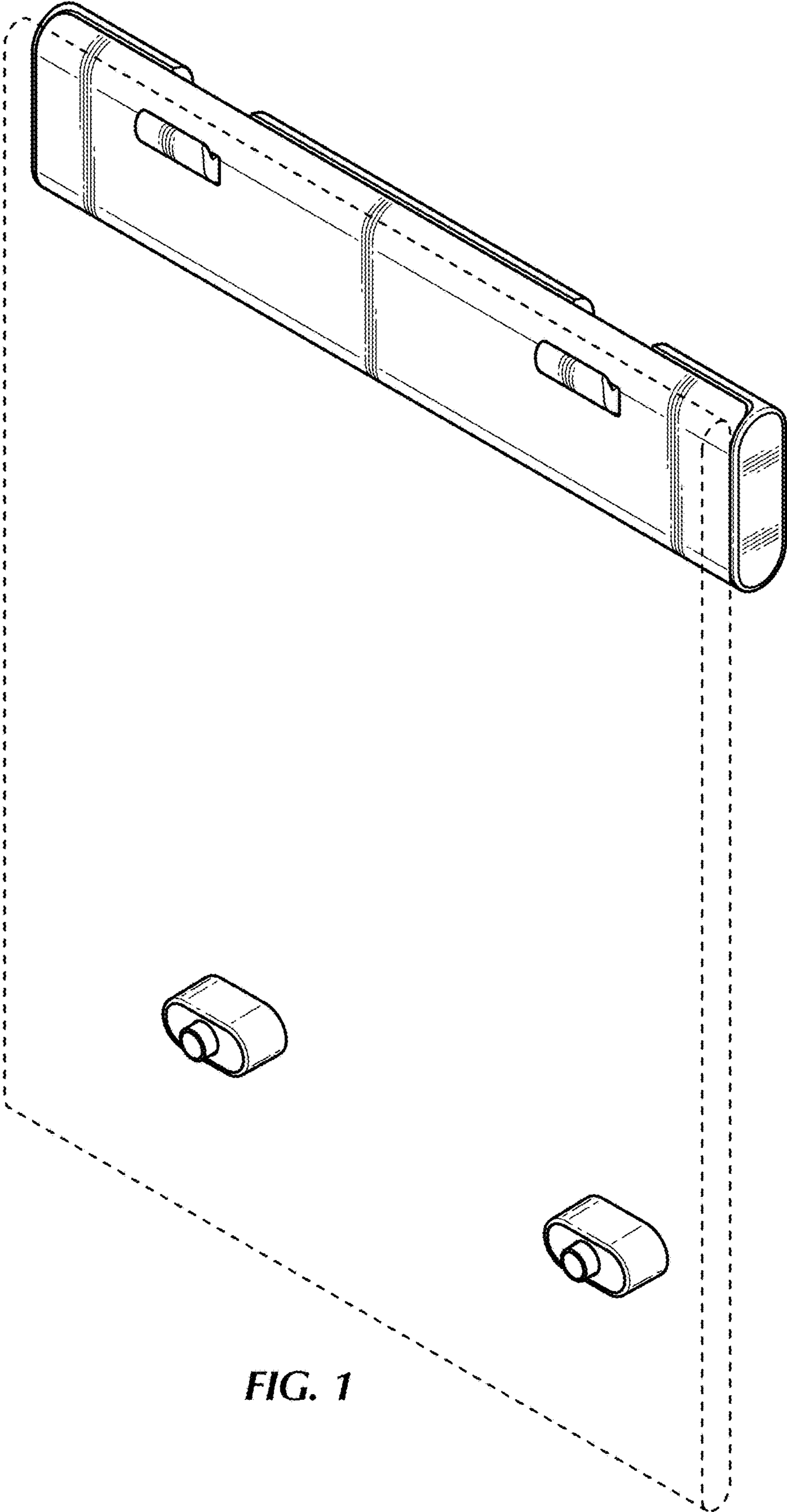


FIG. 1

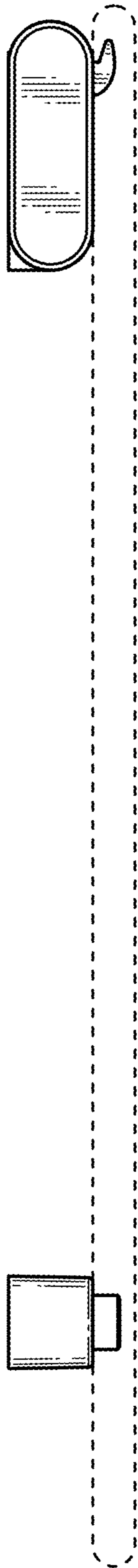


FIG. 2

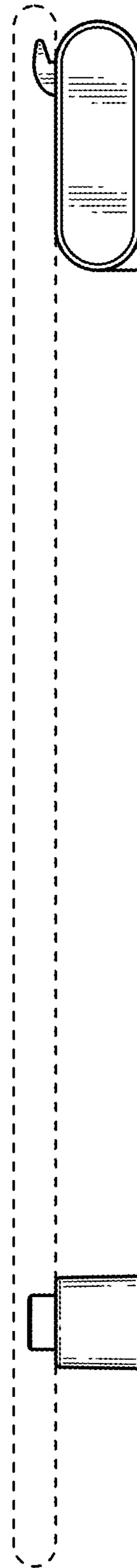


FIG. 3

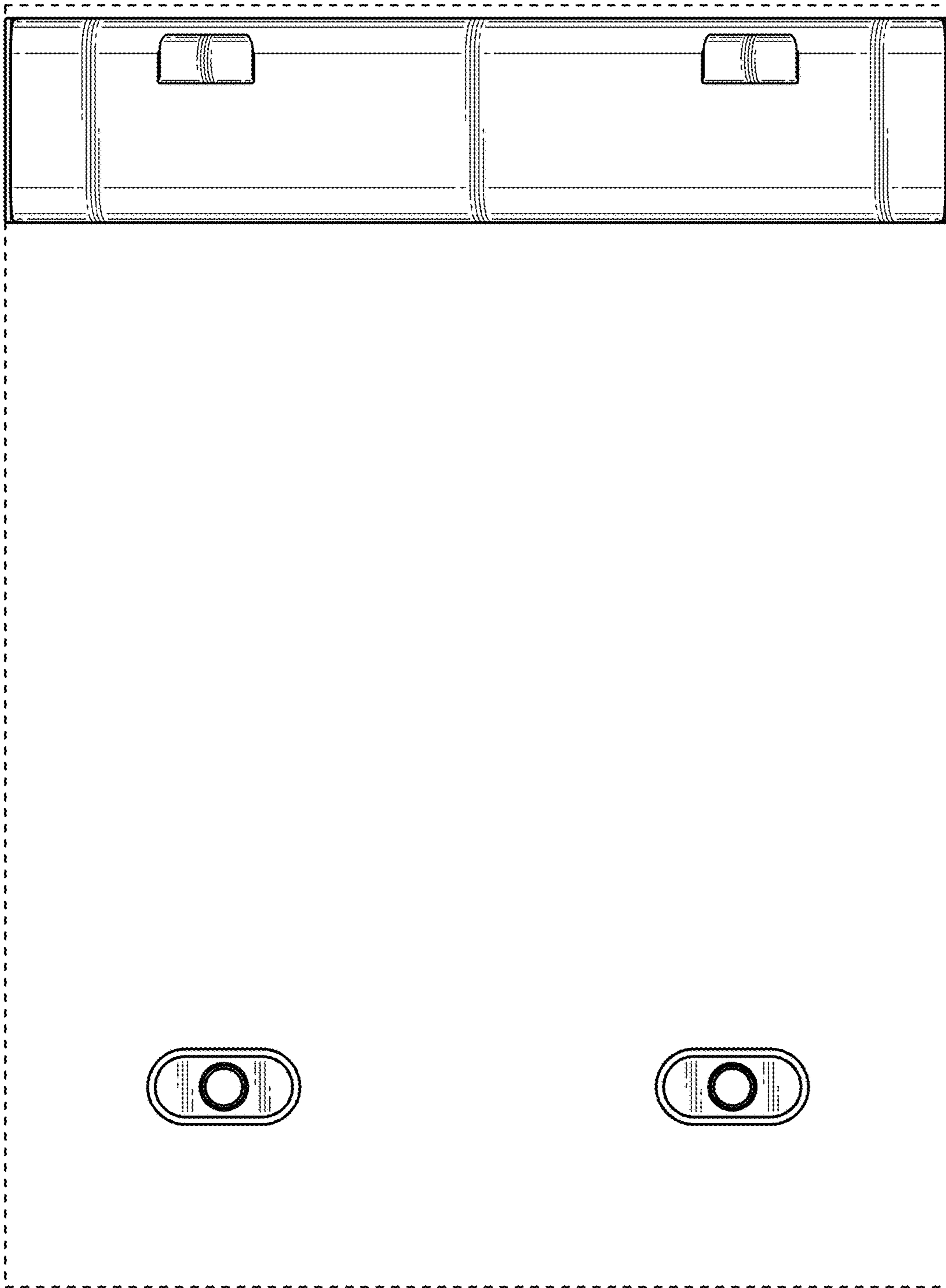


FIG. 4

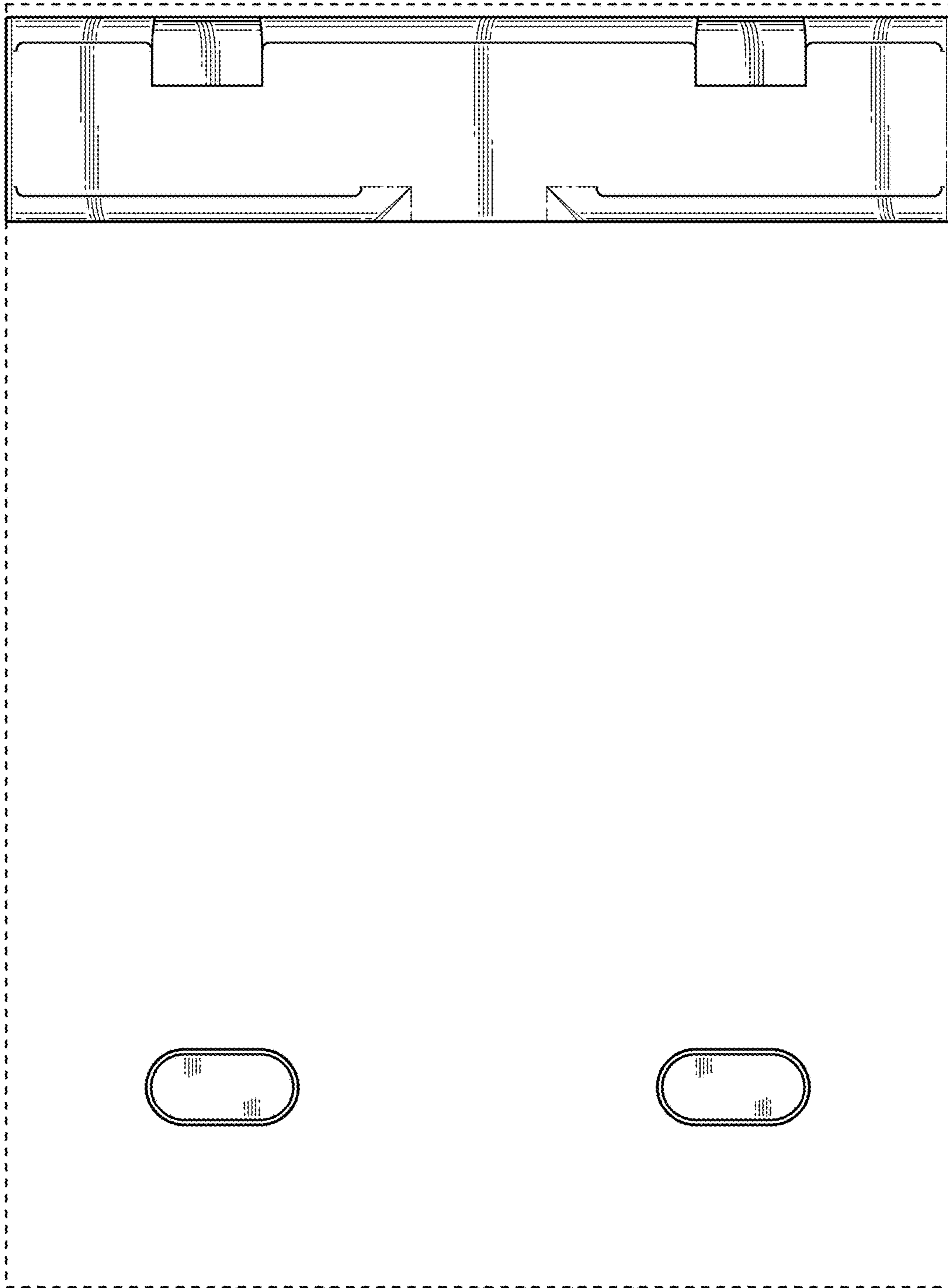


FIG. 5

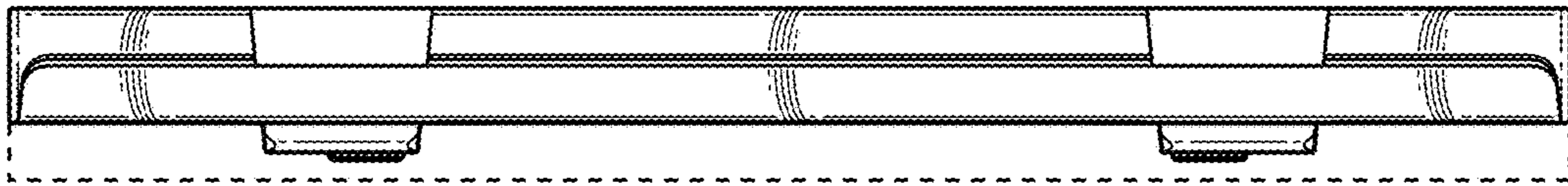


FIG. 6

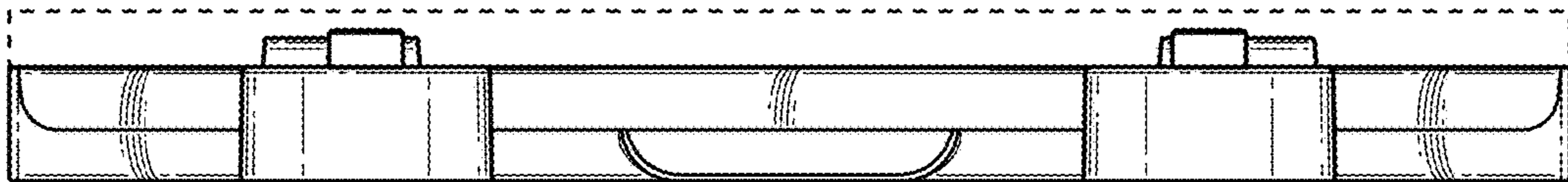


FIG. 7