



US00D832824S

(12) **United States Design Patent**
Kim et al.

(10) **Patent No.:** **US D832,824 S**
(45) **Date of Patent:** **** Nov. 6, 2018**

(54) **EARPHONE**

(71) Applicant: **SAMSUNG ELECTRONICS CO., LTD.**, Suwon-si, Gyeonggi-do (KR)

(72) Inventors: **Taewan Kim**, Seoul (KR); **Minki Ham**, Seoul (KR)

(73) Assignee: **SAMSUNG ELECTRONICS CO., LTD.**, Gyeonggi-Do (KR)

(**) Term: **15 Years**

(21) Appl. No.: **29/599,607**

(22) Filed: **Apr. 5, 2017**

(30) **Foreign Application Priority Data**

Dec. 26, 2016 (KR) 30-2016-0063179

(51) **LOC (11) Cl.** **14-01**

(52) **U.S. Cl.**
USPC **D14/223**; D14/205

(58) **Field of Classification Search**
USPC D14/223, 205; 181/129, 130, 135;
379/430, 431; 381/380, 381; 455/90.3,
455/575.1, 569.1; D24/174
CPC H04R 1/10; H04R 25/00; H04R 1/1066;
H04R 1/1016; H04R 5/033; H04R 5/0335
See application file for complete search history.

(56) **References Cited**

U.S. PATENT DOCUMENTS

- 5,410,608 A * 4/1995 Lucey H04R 1/083
381/360
- 5,420,935 A * 5/1995 Shinohara H04R 1/1016
379/431
- D457,514 S * 5/2002 Marion D14/223
- 6,574,345 B1 * 6/2003 Huang H04R 1/1016
379/430
- D487,077 S * 2/2004 Obata D14/223

- D499,397 S * 12/2004 Hlas D14/223
- D514,551 S * 2/2006 Lee D14/205
- D554,109 S * 10/2007 Ledbetter D14/223
- D565,022 S * 3/2008 Belliveau D14/205
- D572,703 S * 7/2008 Ledbetter D14/205
- D583,804 S * 12/2008 Mahler D14/223
- D632,677 S * 2/2011 Brown D14/223
- D634,306 S * 3/2011 Pedersen D14/223
- D641,008 S * 7/2011 Lee D14/223
- D641,737 S * 7/2011 Krauss D14/205
- D641,738 S * 7/2011 Perez D14/223
- D643,417 S * 8/2011 Lee D14/223

(Continued)

FOREIGN PATENT DOCUMENTS

- CN 303563938 S 1/2016
- CN 303738646 S 7/2016
- EM 02207530-0002 3/2013

Primary Examiner — Paula Allen Greene

(74) *Attorney, Agent, or Firm* — Cantor Colburn LLP

(57) **CLAIM**

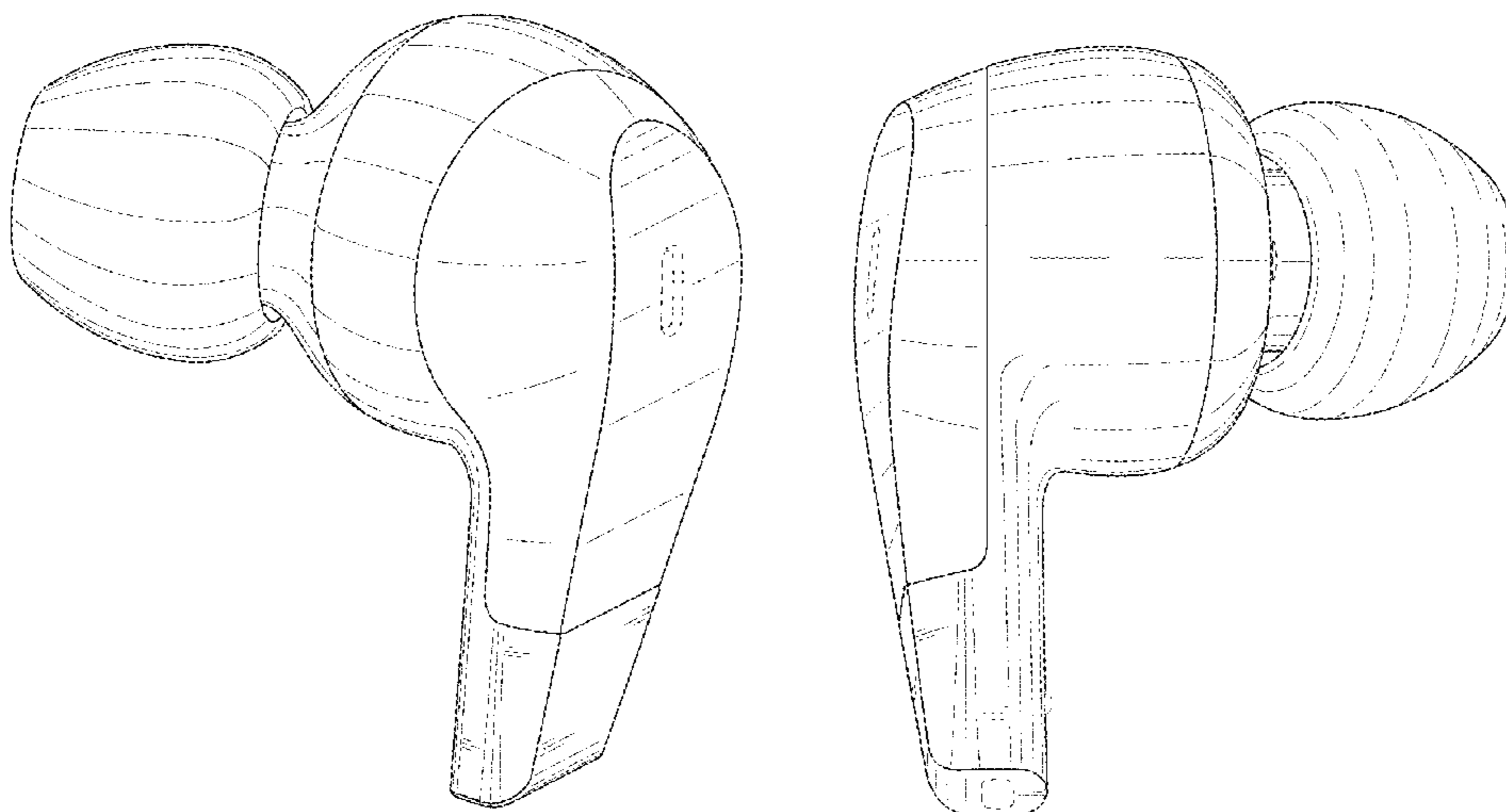
The ornamental design for an earphone, as shown and described.

DESCRIPTION

FIG. 1 is a front perspective view of an earphone showing our new design;
 FIG. 2 is a front view thereof;
 FIG. 3 is a rear view thereof;
 FIG. 4 is a left side view thereof;
 FIG. 5 is a right side view thereof;
 FIG. 6 is a top view thereof;
 FIG. 7 is a bottom view thereof;
 FIG. 8 is a right side perspective view thereof; and,
 FIG. 9 is another front perspective view thereof in an environment of use.

The broken lines illustrating portions of the earphone and the environment of use form no part of the claimed design.

1 Claim, 9 Drawing Sheets



(56)

References Cited

U.S. PATENT DOCUMENTS

D653,235 S * 1/2012 McManigal D14/205
 D656,481 S * 3/2012 McManigal D14/205
 D658,157 S * 4/2012 McManigal D14/205
 D666,996 S * 9/2012 Hardi D14/223
 8,265,323 B2 * 9/2012 Stiehl B29C 45/0025
 381/371
 D684,950 S * 6/2013 Schaal D14/205
 D684,953 S * 6/2013 Schaal D14/205
 D686,191 S * 7/2013 Schaal D14/205
 8,507,812 B2 * 8/2013 No H01H 25/002
 200/1 B
 D689,471 S * 9/2013 Hardi D14/223
 D694,220 S * 11/2013 Lee D14/223
 D695,265 S * 12/2013 Schaal D14/205
 D695,266 S * 12/2013 Schaal D14/205
 D695,267 S * 12/2013 Schaal D14/205
 D699,703 S * 2/2014 Schaal D14/205

D701,195 S * 3/2014 Katsumata D14/223
 D707,652 S * 6/2014 Brunner H04R 25/00
 D14/205
 D715,253 S * 10/2014 Lee D14/205
 D715,254 S * 10/2014 Lee D14/205
 D716,770 S * 11/2014 Bonahoom D14/223
 D738,864 S * 9/2015 Lee D14/223
 D741,287 S * 10/2015 Harata D14/205
 D744,456 S * 12/2015 Pedersen D14/223
 D745,489 S * 12/2015 Bjelle D14/205
 D764,436 S * 8/2016 Dryden D14/205
 D767,532 S * 9/2016 Jen D14/205
 D773,440 S * 12/2016 Pedersen D14/223
 D802,562 S * 11/2017 Baba D14/223
 D810,720 S * 2/2018 Lee D14/205
 D813,844 S * 3/2018 Stiff D14/223
 2009/0296975 A1 * 12/2009 Uchida H04R 1/1091
 381/370
 2016/0261946 A1 * 9/2016 Chen H04R 1/1016

* cited by examiner

FIG. 1

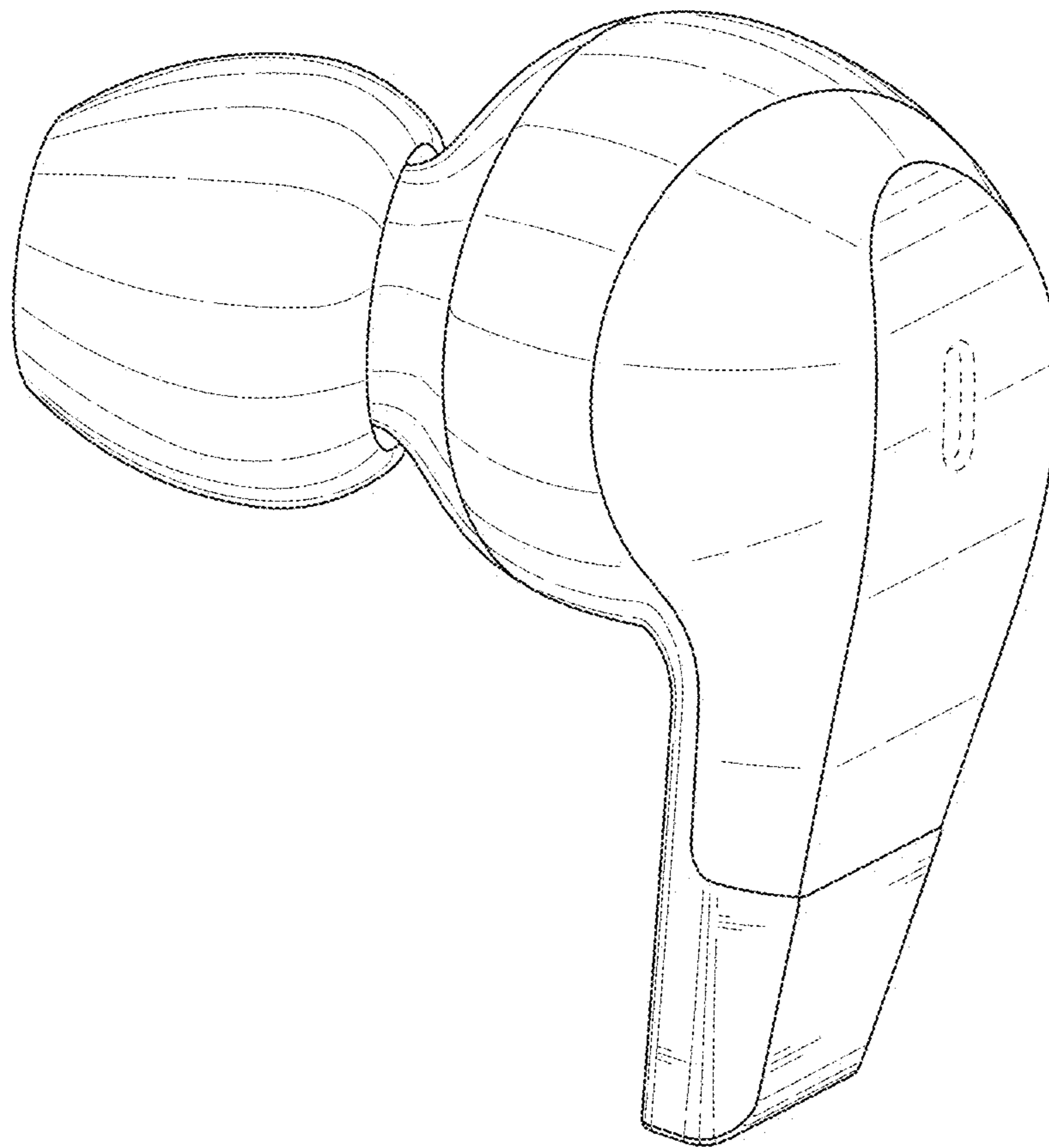


FIG. 2

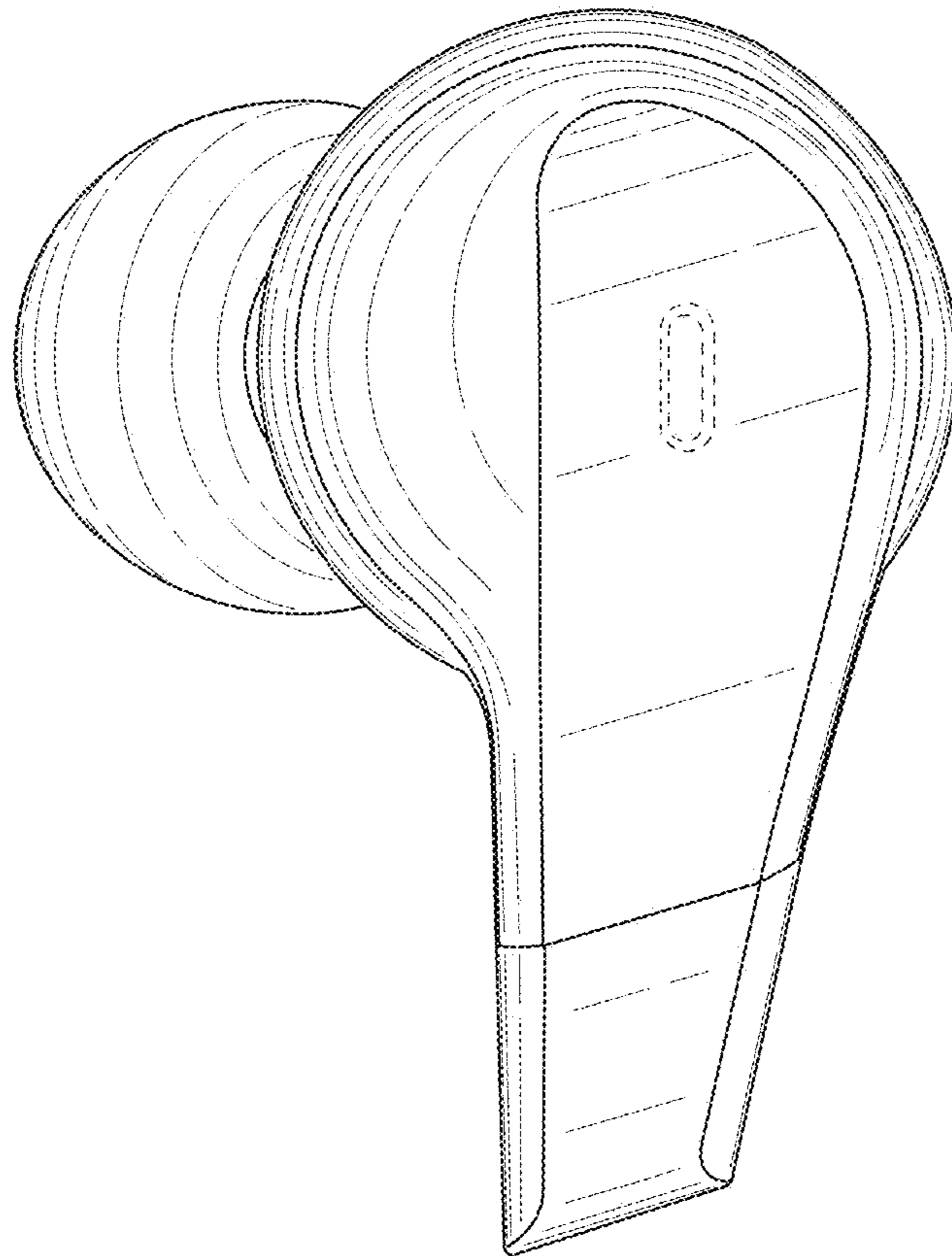


FIG. 3

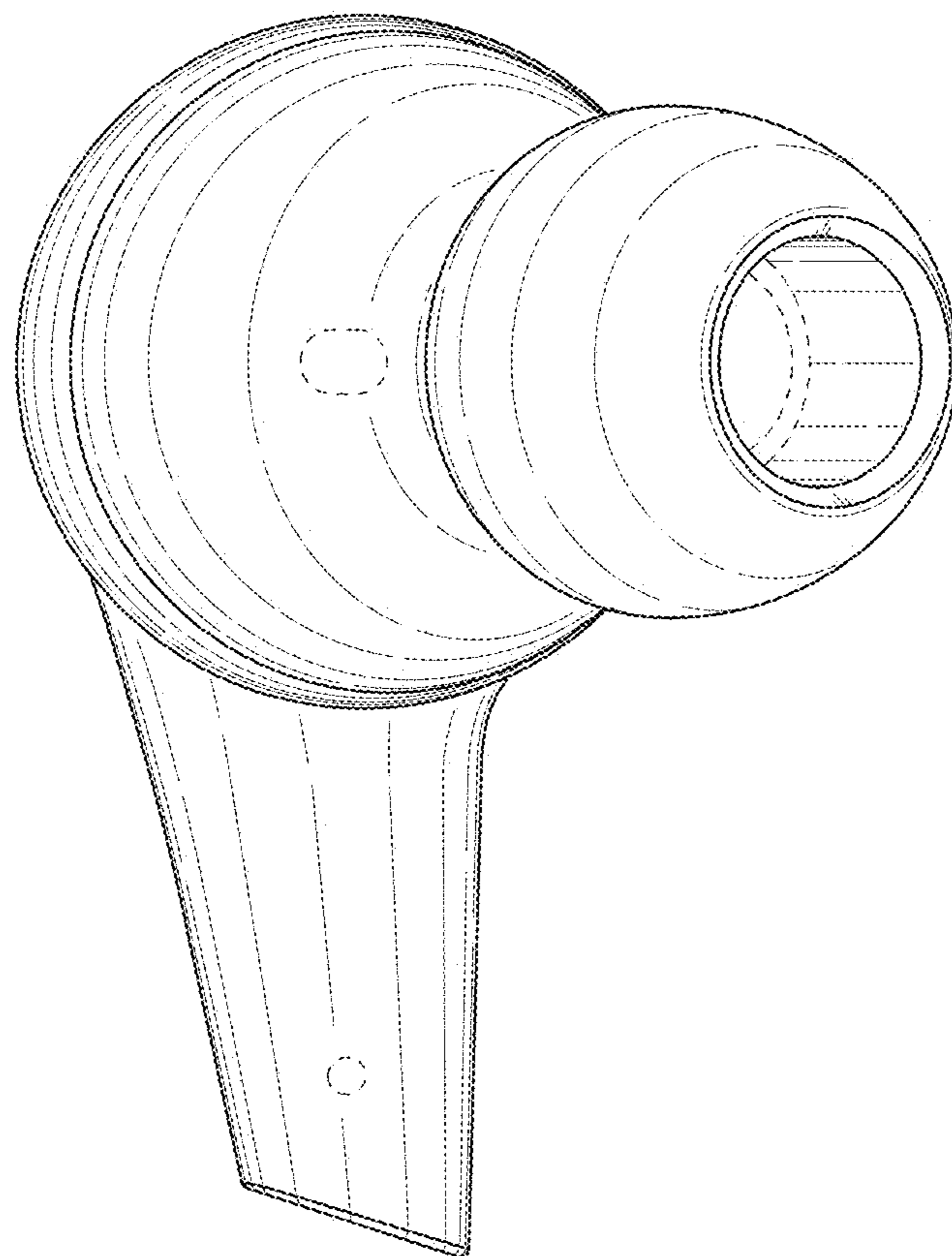


FIG. 4

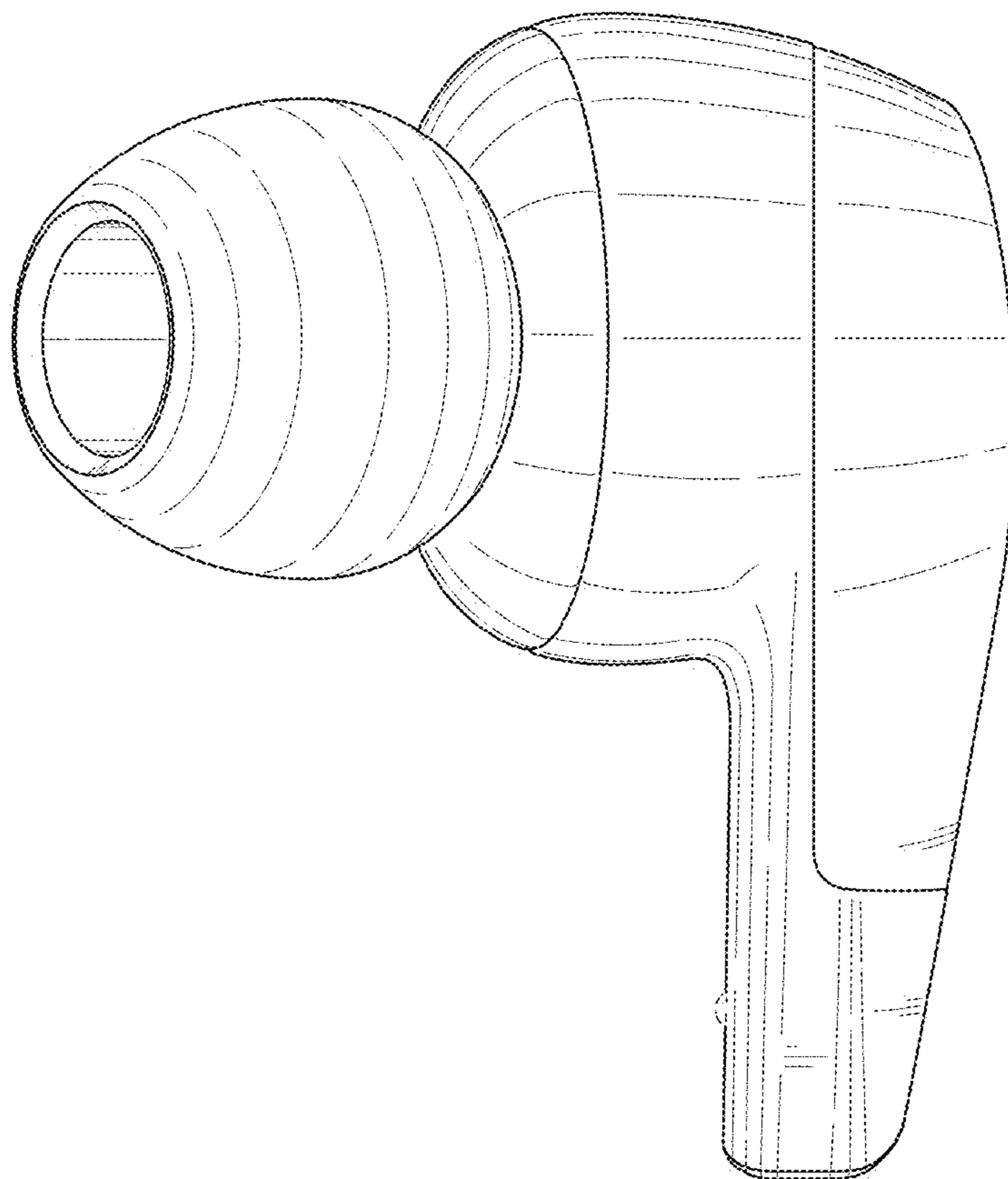


FIG. 5

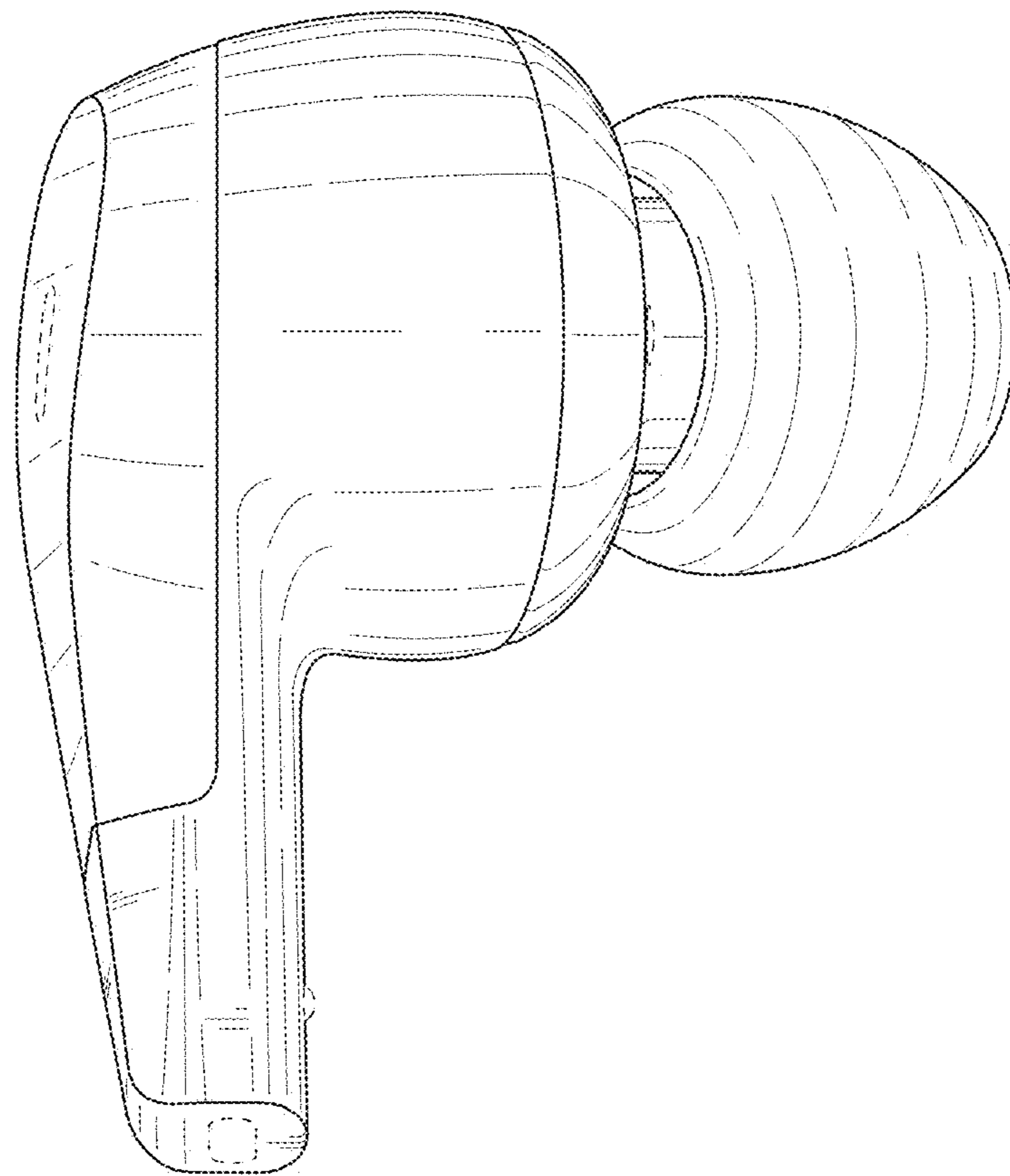


FIG. 6

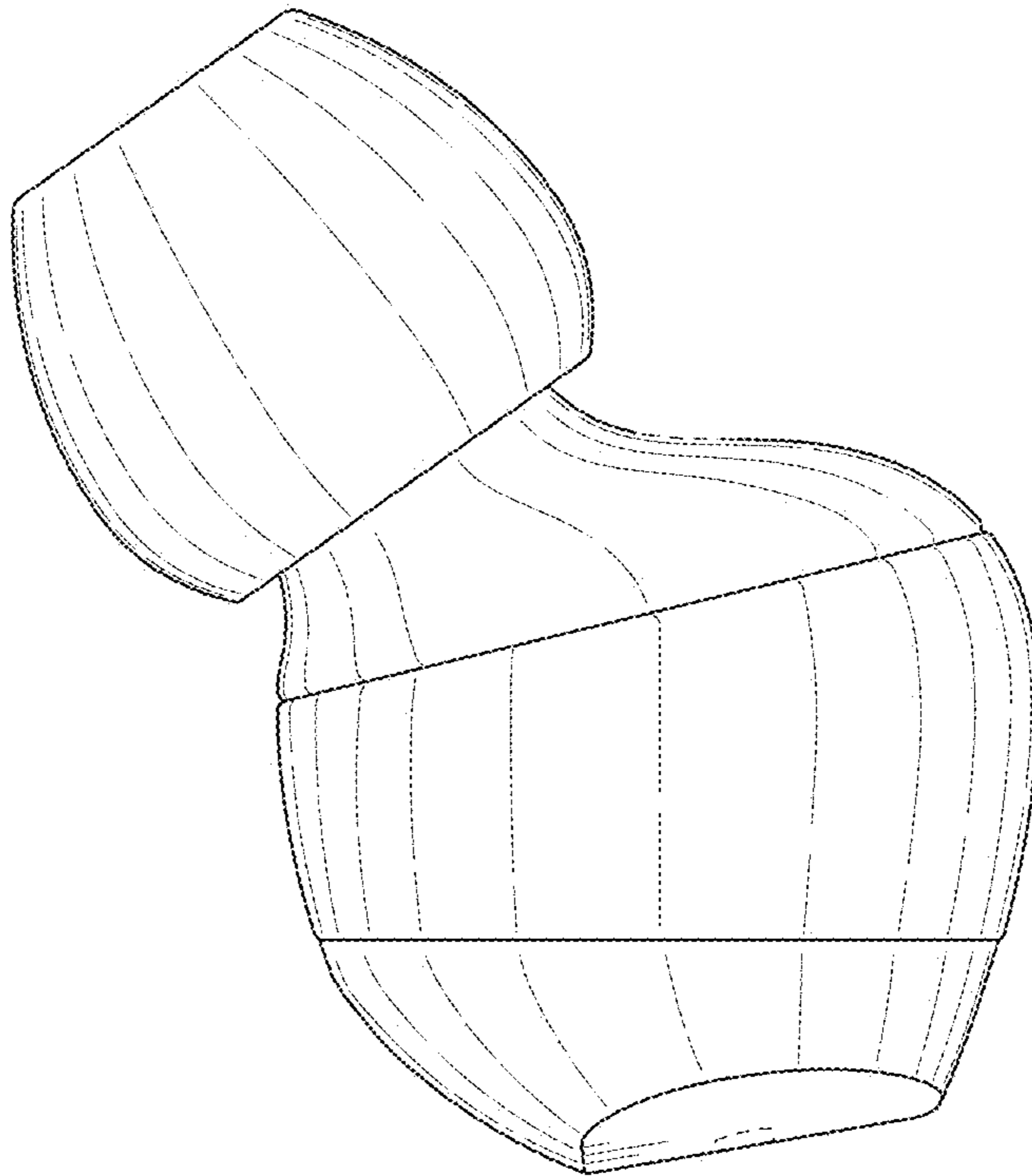


FIG. 7

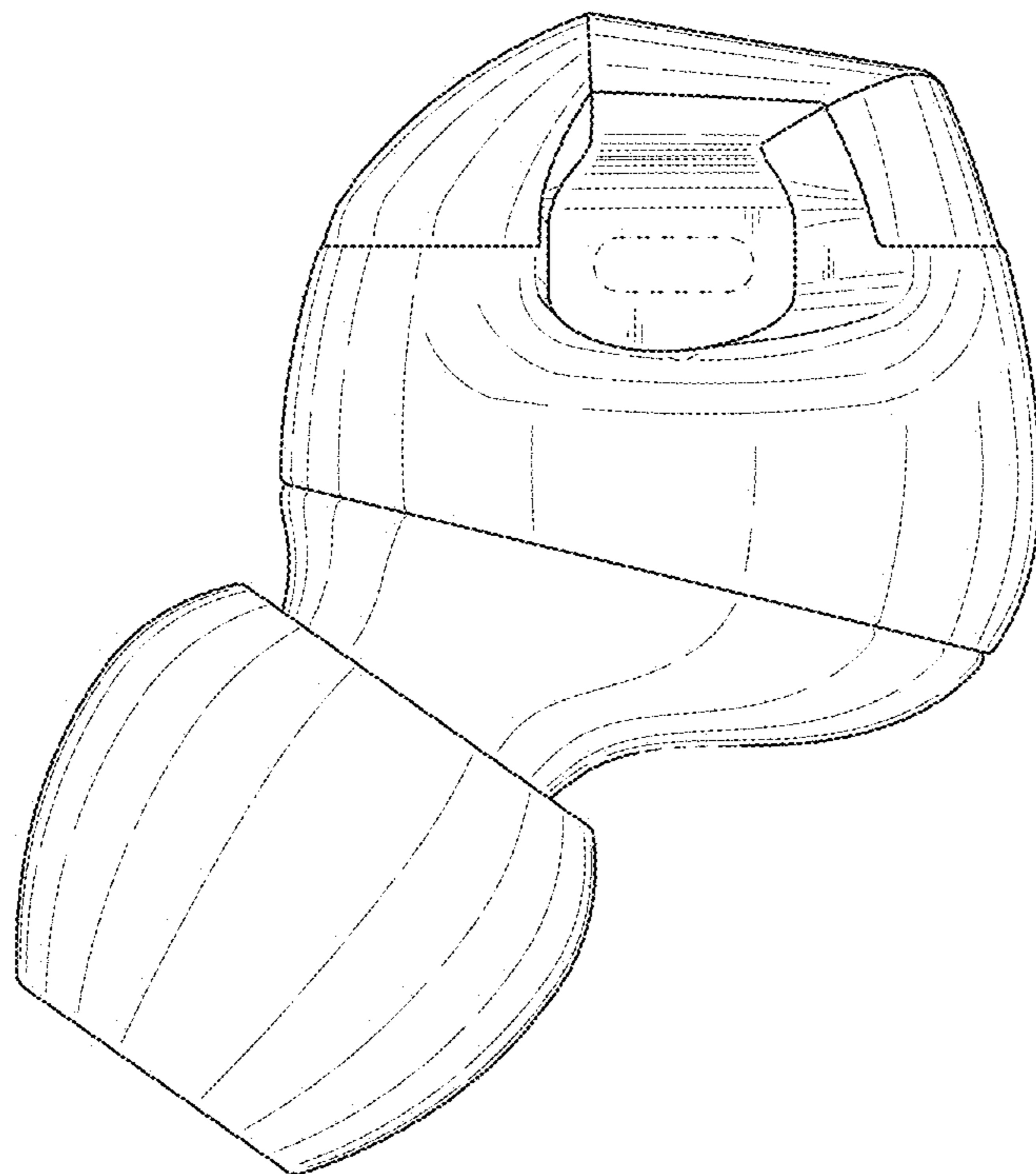


FIG. 8

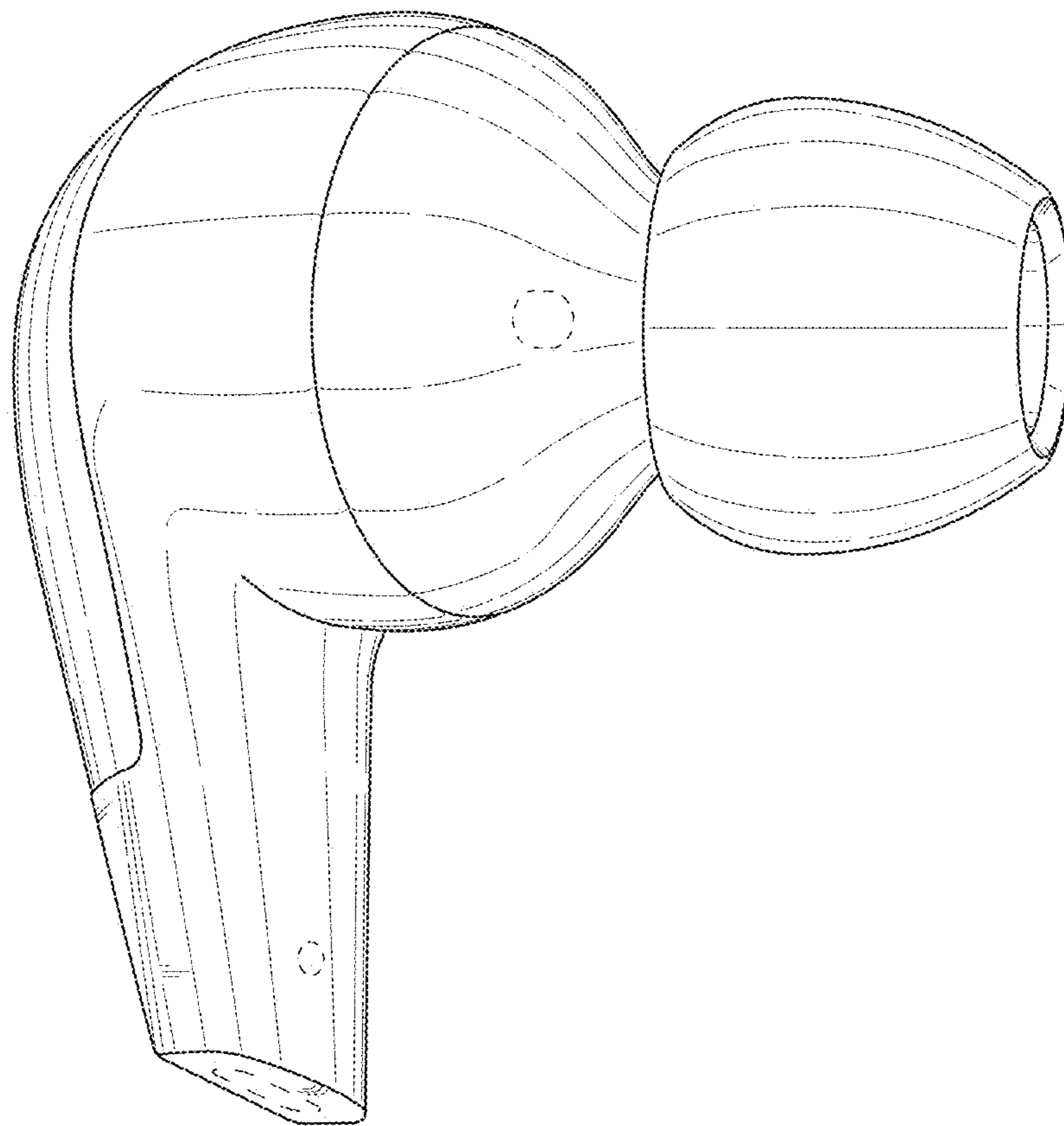


FIG. 9

