

US00D832822S

(12) **United States Design Patent**
Cho

(10) **Patent No.:** **US D832,822 S**

(45) **Date of Patent:** **** Nov. 6, 2018**

(54) **CONTROL MODULE**

(71) Applicant: **Creative Technology Ltd**, Singapore (SG)

(72) Inventor: **Mei San Gigi Cho**, Singapore (SG)

(73) Assignee: **Creative Technology Ltd**, Singapore (SG)

(**) Term: **15 Years**

(21) Appl. No.: **29/602,818**

(22) Filed: **May 3, 2017**

(30) **Foreign Application Priority Data**

Dec. 30, 2016 (EM) 003560887

(51) **LOC (11) Cl.** **14-01**

(52) **U.S. Cl.**
USPC **D14/217**

(58) **Field of Classification Search**
USPC D13/162, 164, 168; D14/162, 168,
D14/203.3, 217; D17/17, 99
CPC G10H 1/0066; G10H 3/146; G10H 1/46;
G06F 17/00; H01H 9/181; H01H 19/025;
H03G 3/02; H03G 5/005; H03G 5/02;
H03G 5/025; H03G 5/165; H04H 60/04;
H04N 5/268

See application file for complete search history.

(56) **References Cited**

U.S. PATENT DOCUMENTS

D244,214 S * 5/1977 Ross D14/217
D326,454 S * 5/1992 Ito D14/162

D400,877 S * 11/1998 Miyazaki D14/167
D477,589 S * 7/2003 Takita D14/168
D501,462 S * 2/2005 Takahashi D14/217
D593,544 S * 6/2009 Iijima D14/217
D668,636 S * 10/2012 Iijima D14/217
D677,247 S * 3/2013 Iijima D14/217
D771,595 S * 11/2016 Medas D14/217
D815,064 S * 4/2018 Garncarz D14/217
2011/0116634 A1 * 5/2011 Norman H04L 9/3247
380/277
2012/0204704 A1 * 8/2012 Shim G10H 1/0066
84/645
2015/0078584 A1 * 3/2015 Moon G10H 1/46
381/104

* cited by examiner

Primary Examiner — Selina Sikder

(74) *Attorney, Agent, or Firm* — Russell Swerdon;
Desmund Gean

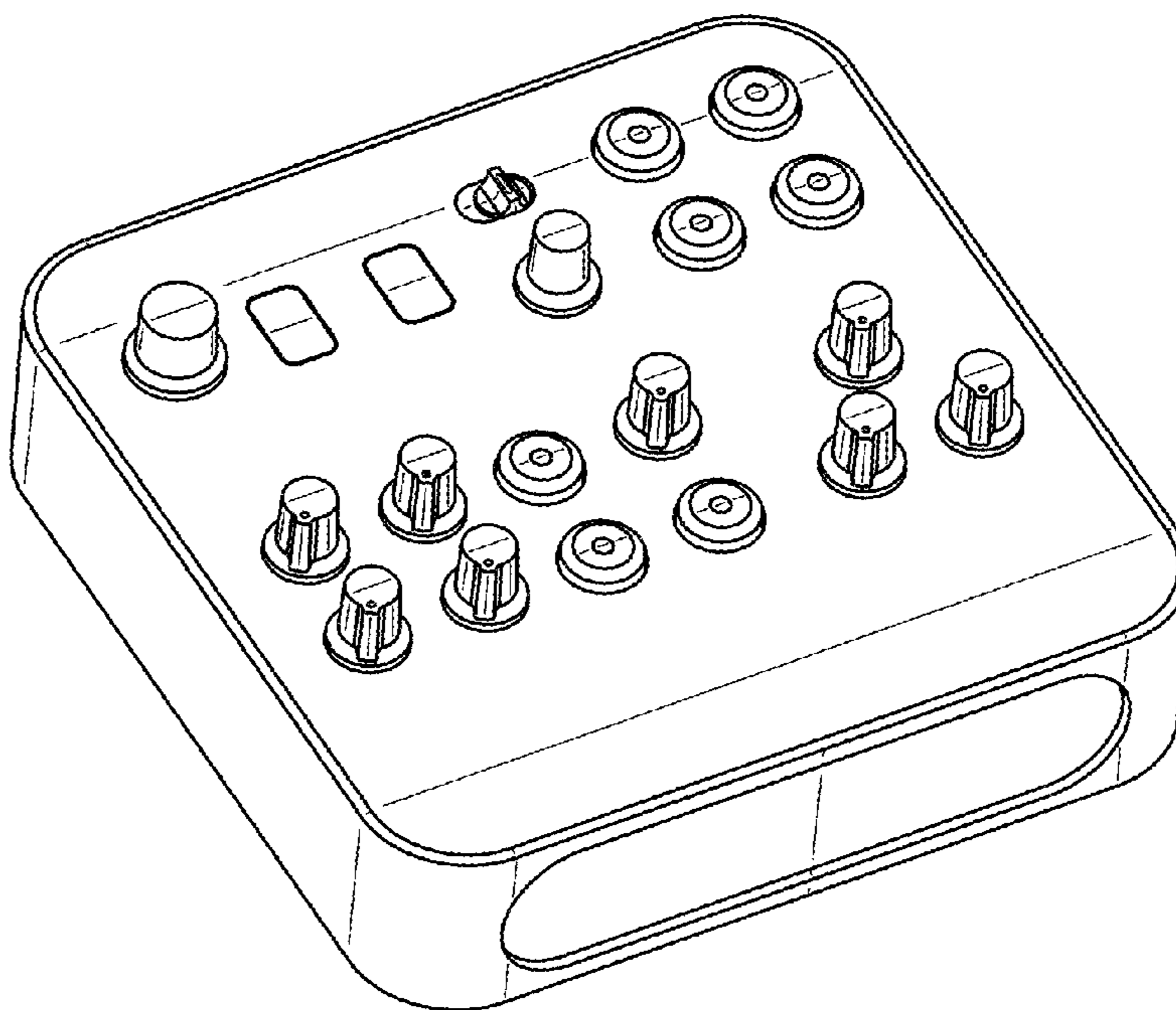
(57) **CLAIM**

The ornamental design for a control module, substantially as shown and described.

DESCRIPTION

FIG. 1 is a front perspective view of a control module showing our new design;
FIG. 2 is a rear perspective view of the control module in FIG. 1;
FIG. 3 is a front view thereof;
FIG. 4 is a rear view thereof;
FIG. 5 is a left side view thereof;
FIG. 6 is a right side view thereof;
FIG. 7 is a top view thereof; and,
FIG. 8 is a bottom view thereof.

1 Claim, 6 Drawing Sheets



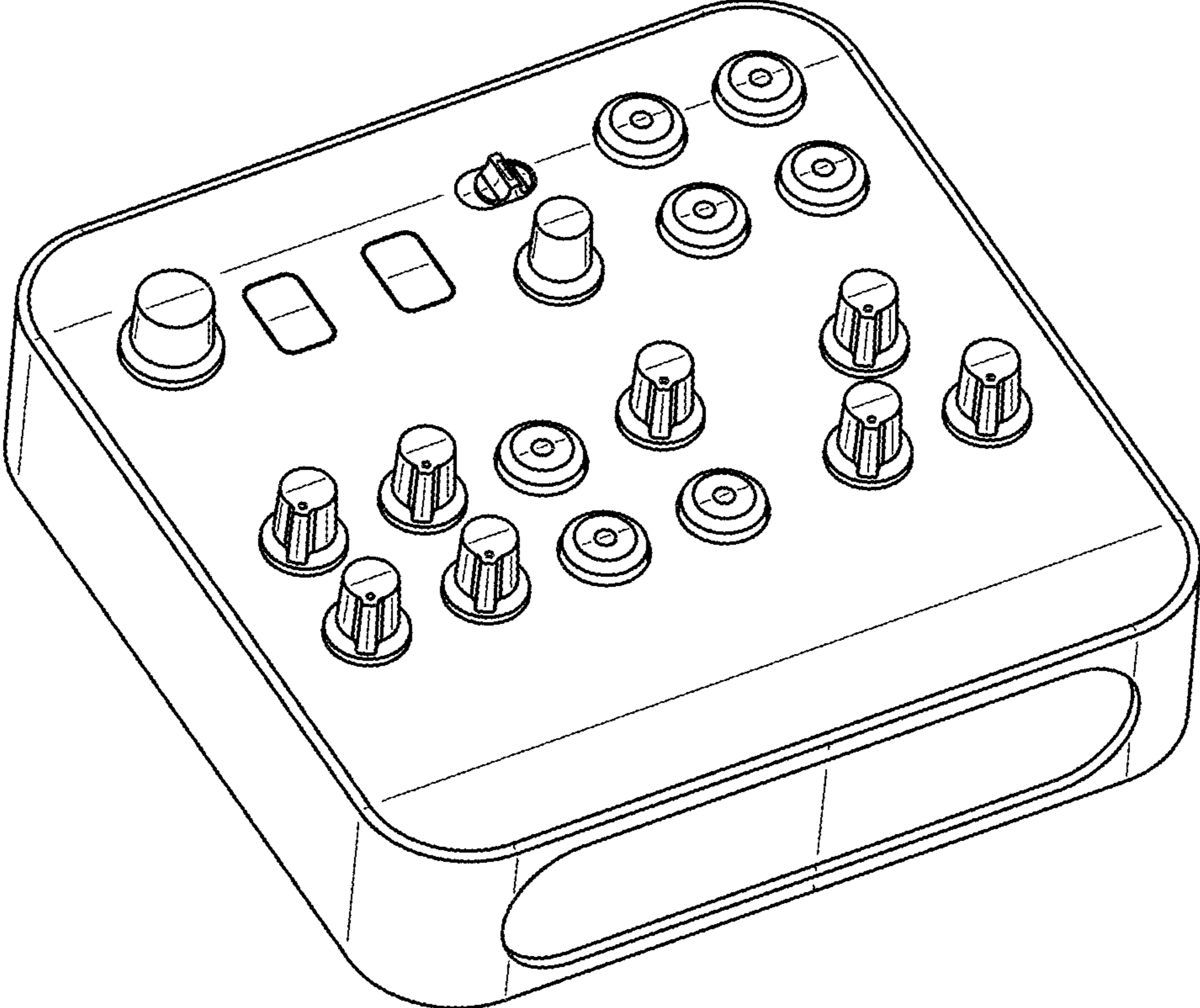


FIG. 1

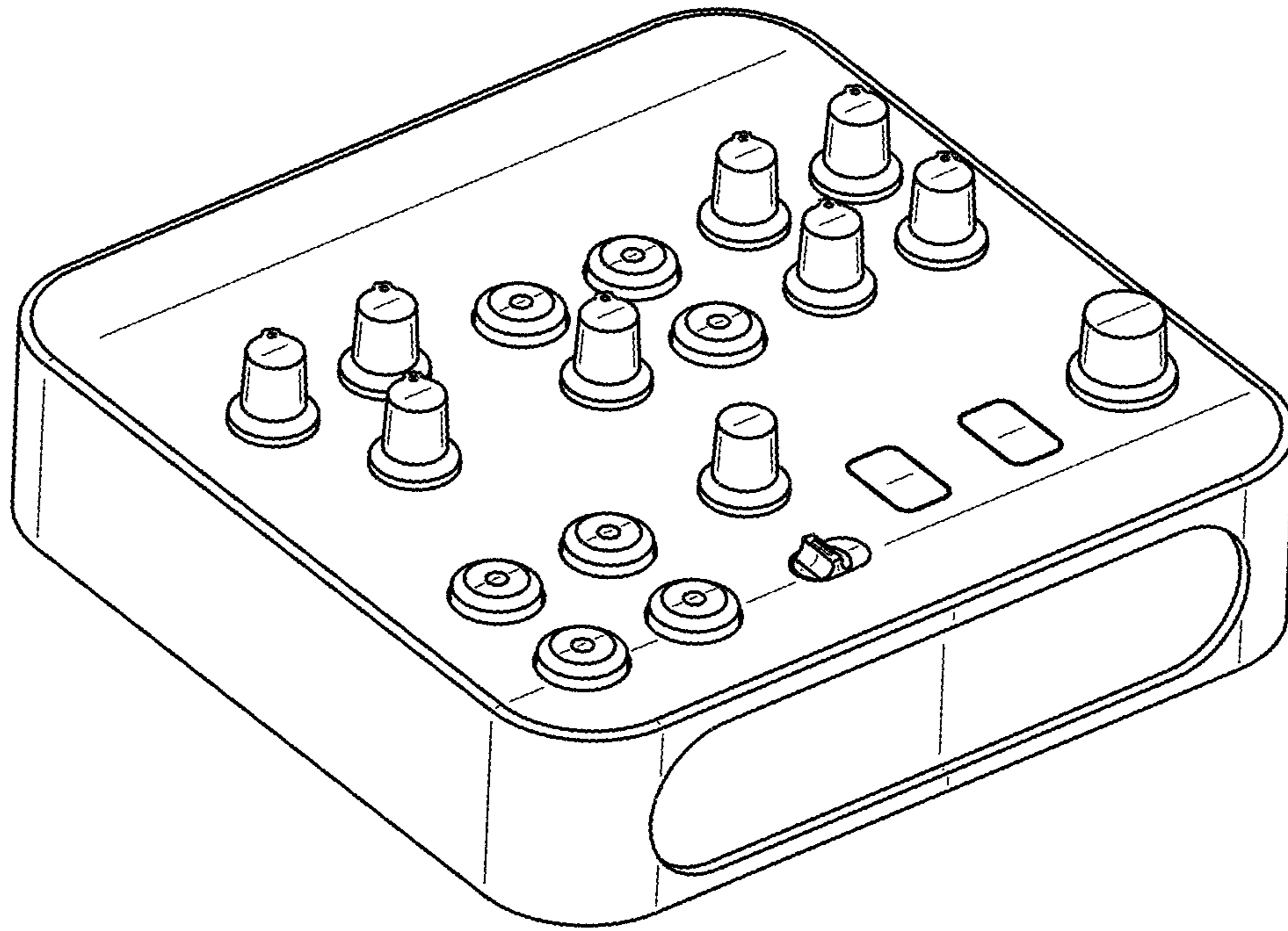


FIG. 2

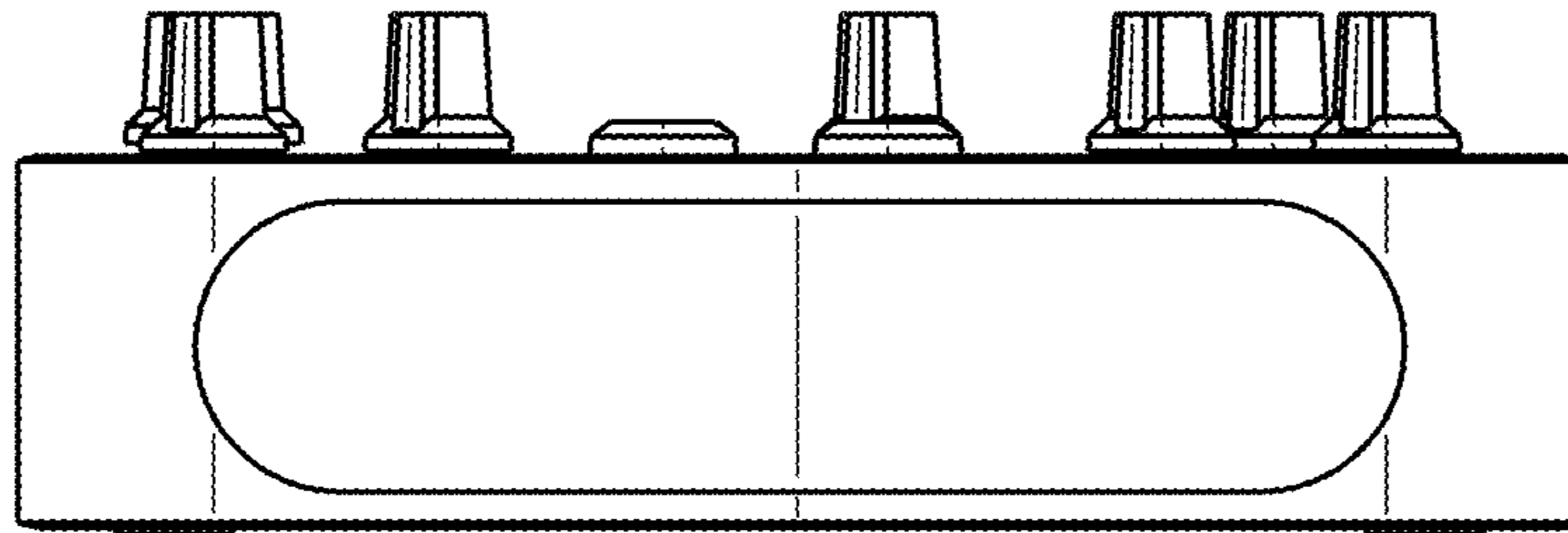


FIG. 3

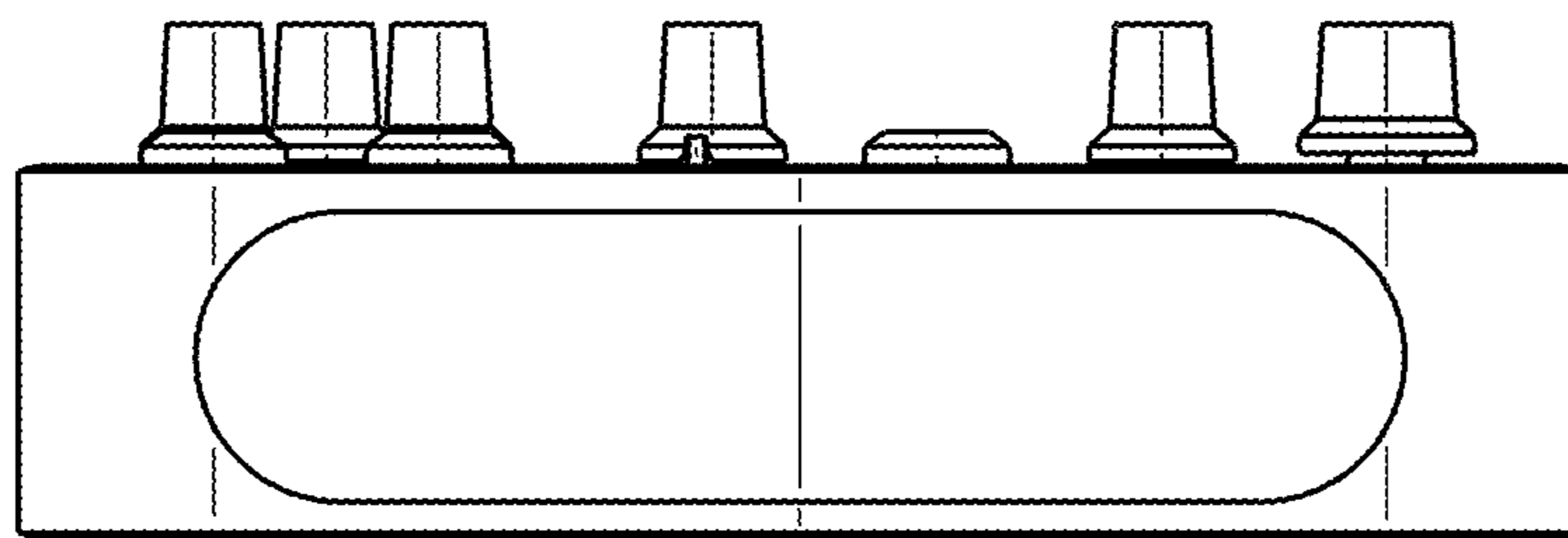


FIG. 4

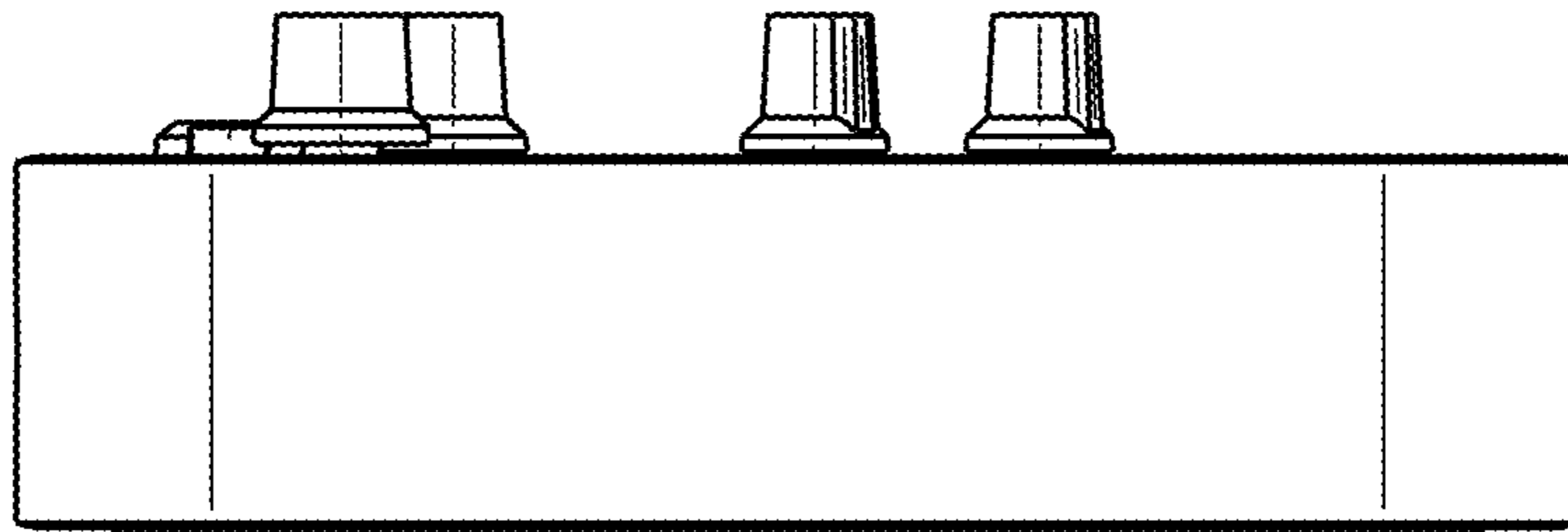


FIG. 5

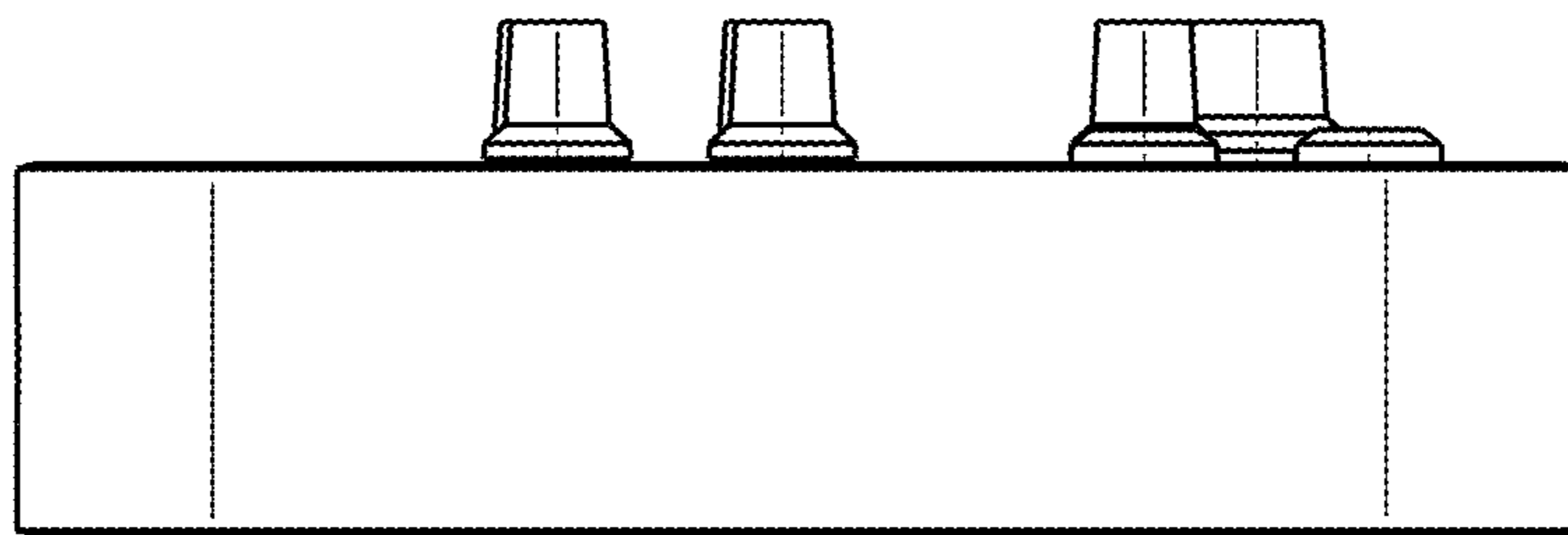


FIG. 6

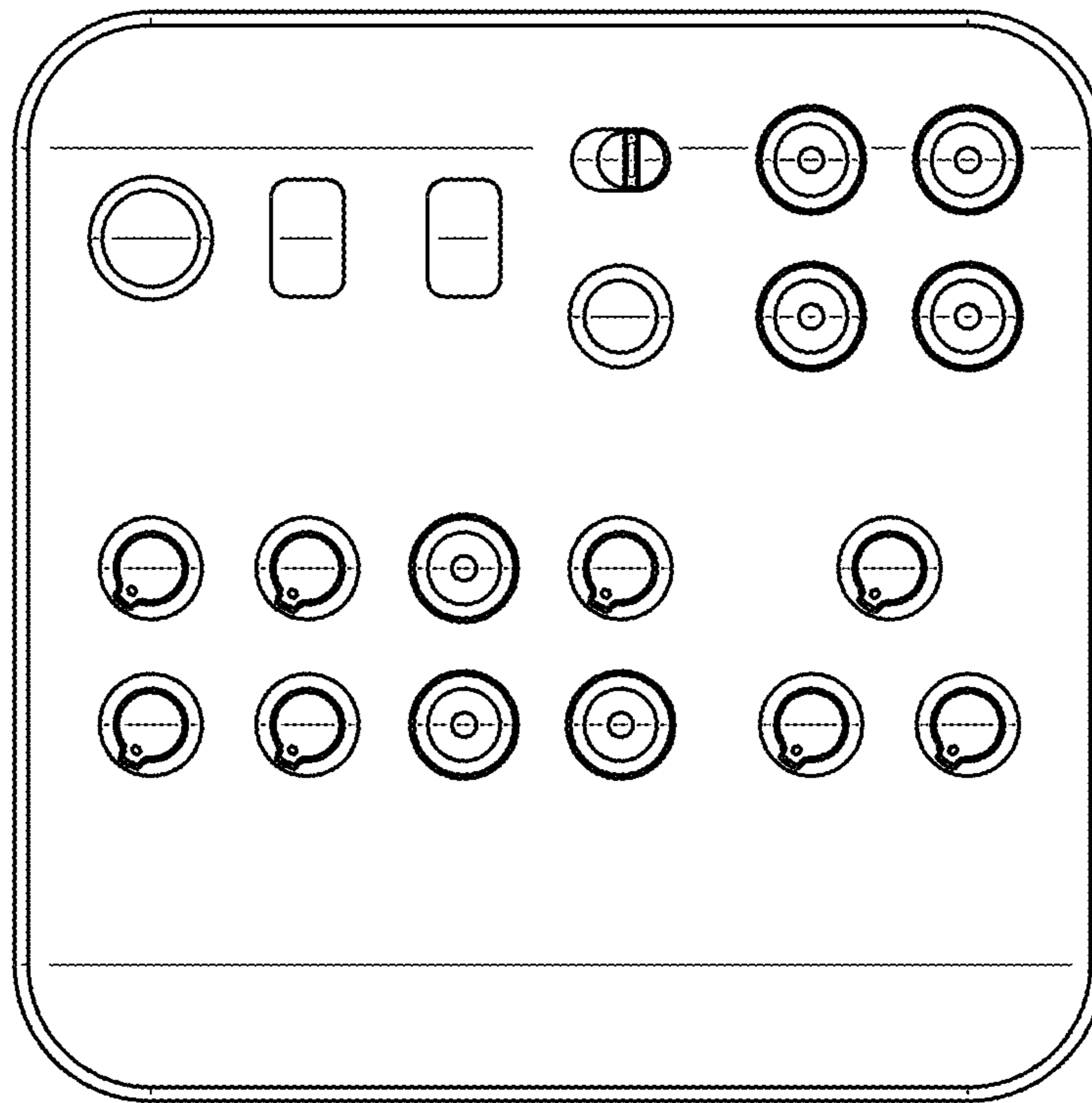


FIG. 7

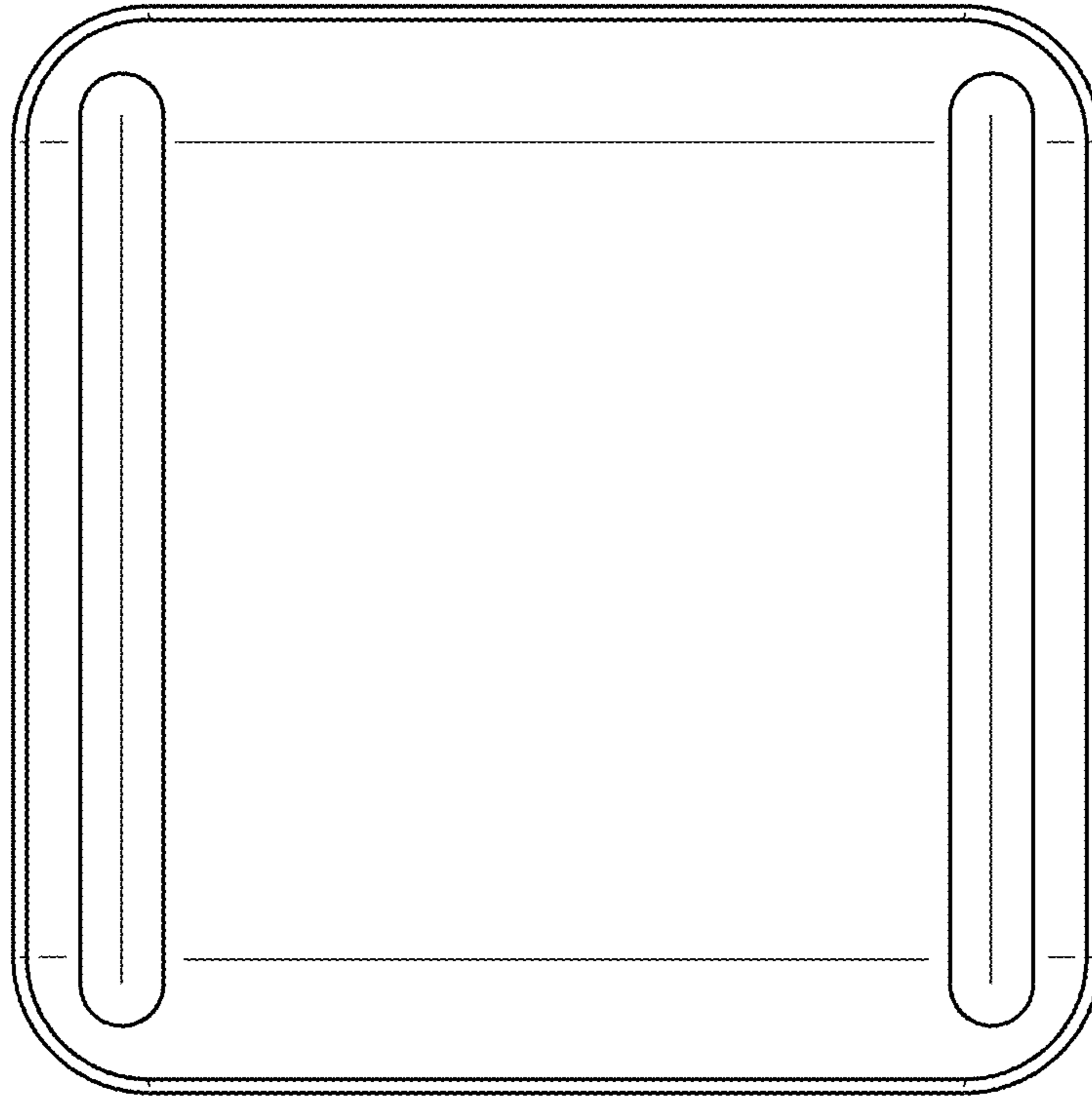


FIG. 8