



US00D832821S

(12) **United States Design Patent**
Jeon et al.

(10) **Patent No.:** **US D832,821 S**

(45) **Date of Patent:** **** Nov. 6, 2018**

(54) **BLUETOOTH SPEAKER**

(71) Applicant: **LG ELECTRONICS INC.**, Seoul (KR)

(72) Inventors: **Byunglok Jeon**, Seoul (KR); **Gangho Woo**, Seoul (KR)

(73) Assignee: **LG ELECTRONICS INC.**, Seoul (KR)

(**) Term: **15 Years**

(21) Appl. No.: **35/503,590**

(22) Filed: **Feb. 23, 2017**

(80) **Hague Agreement Data**

Int. Filing Date: **Feb. 23, 2017**

Int. Reg. No.: **DM/095021**

Int. Reg. Date: **Feb. 23, 2017**

Int. Reg. Pub. Date: **Aug. 25, 2017**

(30) **Foreign Application Priority Data**

Aug. 26, 2016 (KR) 30-2016-0041899

(51) **LOC (11) Cl.** **14-01**

(52) **U.S. Cl.**
USPC **D14/215**

(58) **Field of Classification Search**

USPC D14/204, 209.1, 210, 211, 212, 213–217, D14/221, 224

CPC ... H04R 1/26; H04R 5/00; H04R 5/02; H04R 25/00; H04R 7/26; H04R 1/02; H04R 1/28; H05K 5/00

See application file for complete search history.

(56) **References Cited**

U.S. PATENT DOCUMENTS

D362,442 S * 9/1995 Goldfarb D14/215
D374,444 S * 10/1996 Blessing D14/215

6,057,659 A * 5/2000 Akiyama H04R 5/02
181/144
D433,402 S * 11/2000 Azumi D14/215
D711,351 S * 8/2014 Breines D14/215
D752,024 S * 3/2016 Kachwalla D14/216
D755,162 S * 5/2016 He D14/216
D778,871 S * 2/2017 Corval D14/204
D801,305 S * 10/2017 Vaclavik D14/215
D816,064 S * 4/2018 Wei D14/215
D816,994 S * 5/2018 Fischer D3/294
D820,807 S * 6/2018 Vaclavik D14/204

* cited by examiner

Primary Examiner — Michael A. Pratt

(74) *Attorney, Agent, or Firm* — Birch, Stewart, Kolasch & Birch, LLP

(57) **CLAIM**

The ornamental design for a bluetooth speaker, as shown and described.

DESCRIPTION

1. Bluetooth speaker

1.1 : Perspective

1.2 : Front

1.3 : Back

1.4 : Left

1.5 : Right

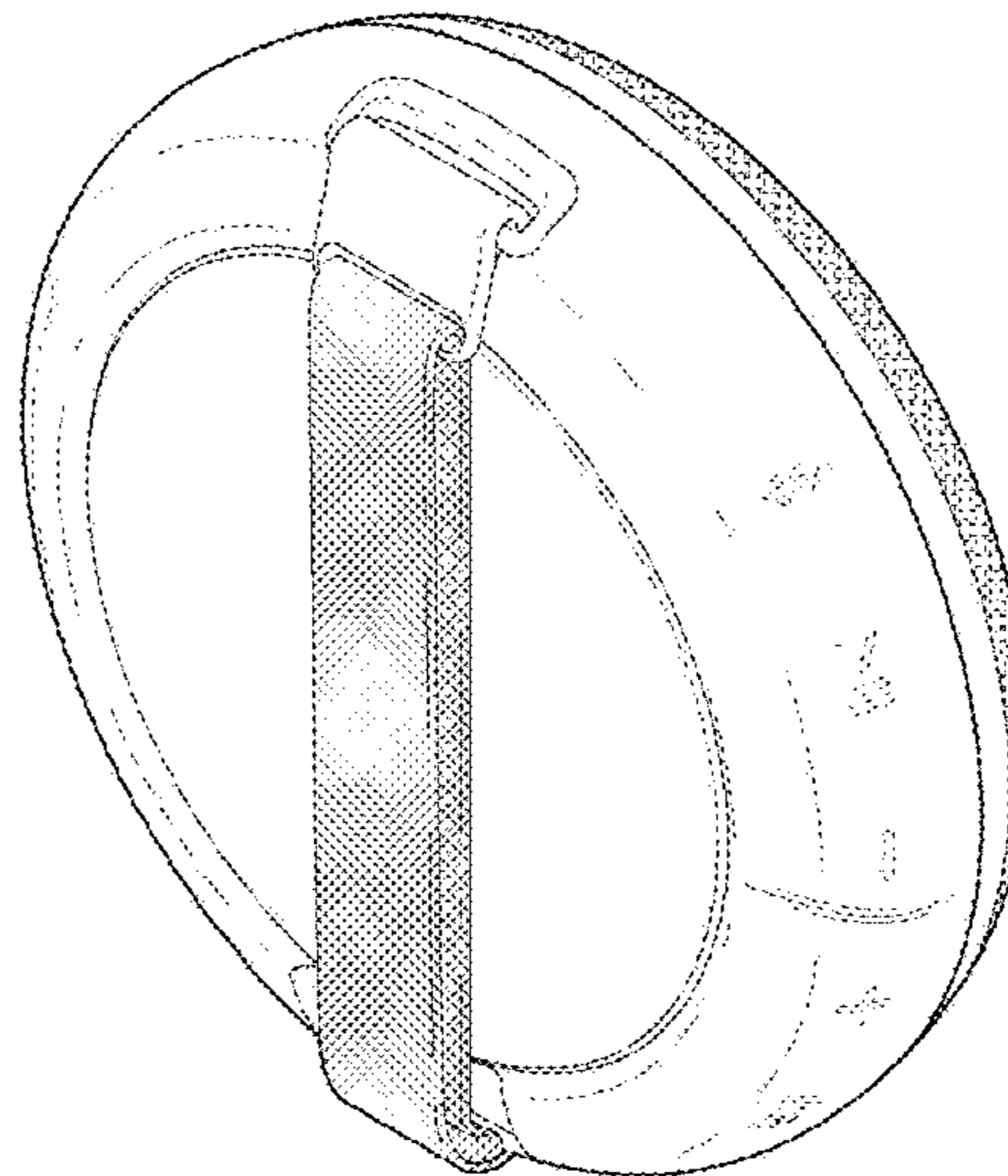
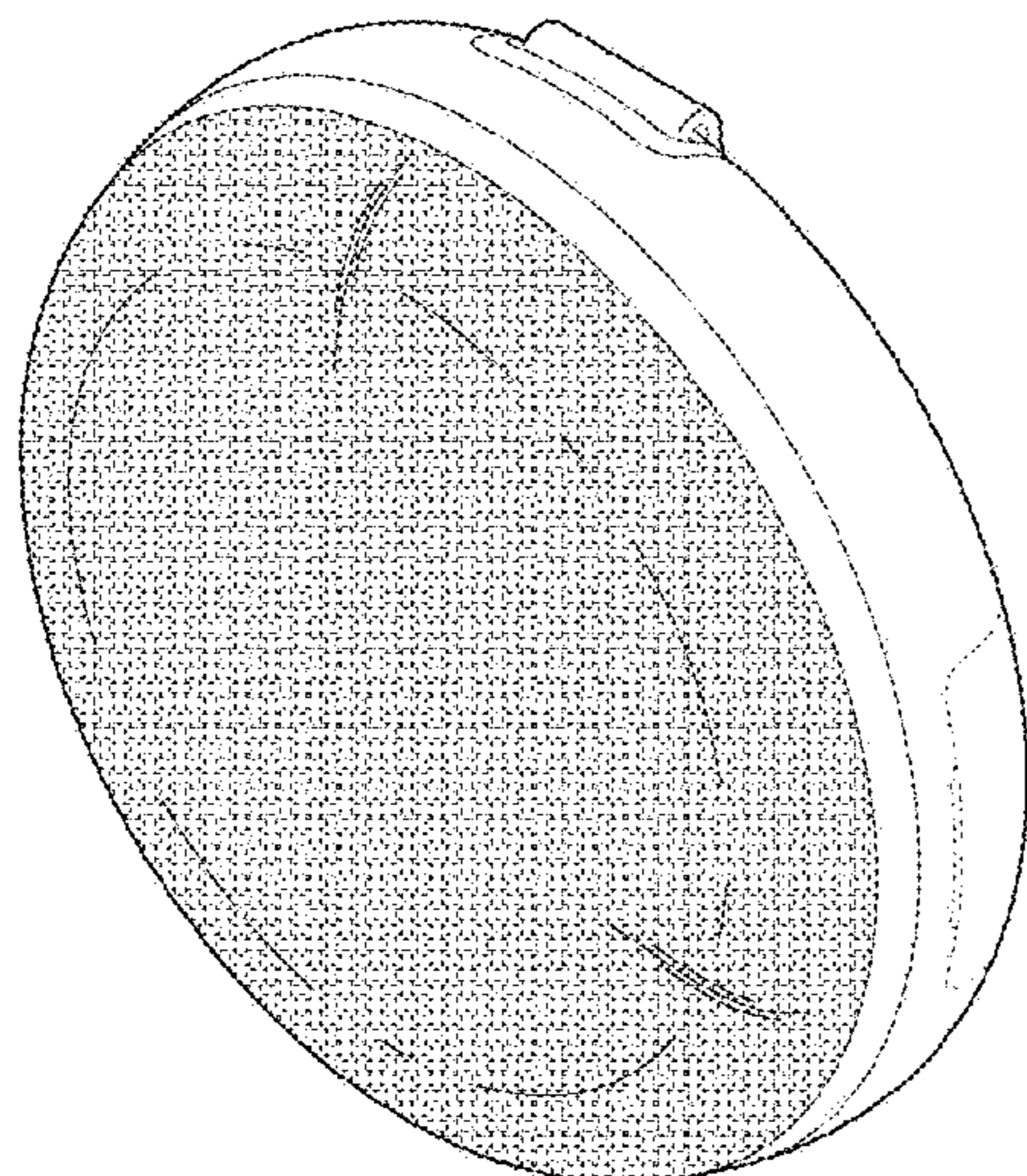
1.6 : Top

1.7 : Bottom

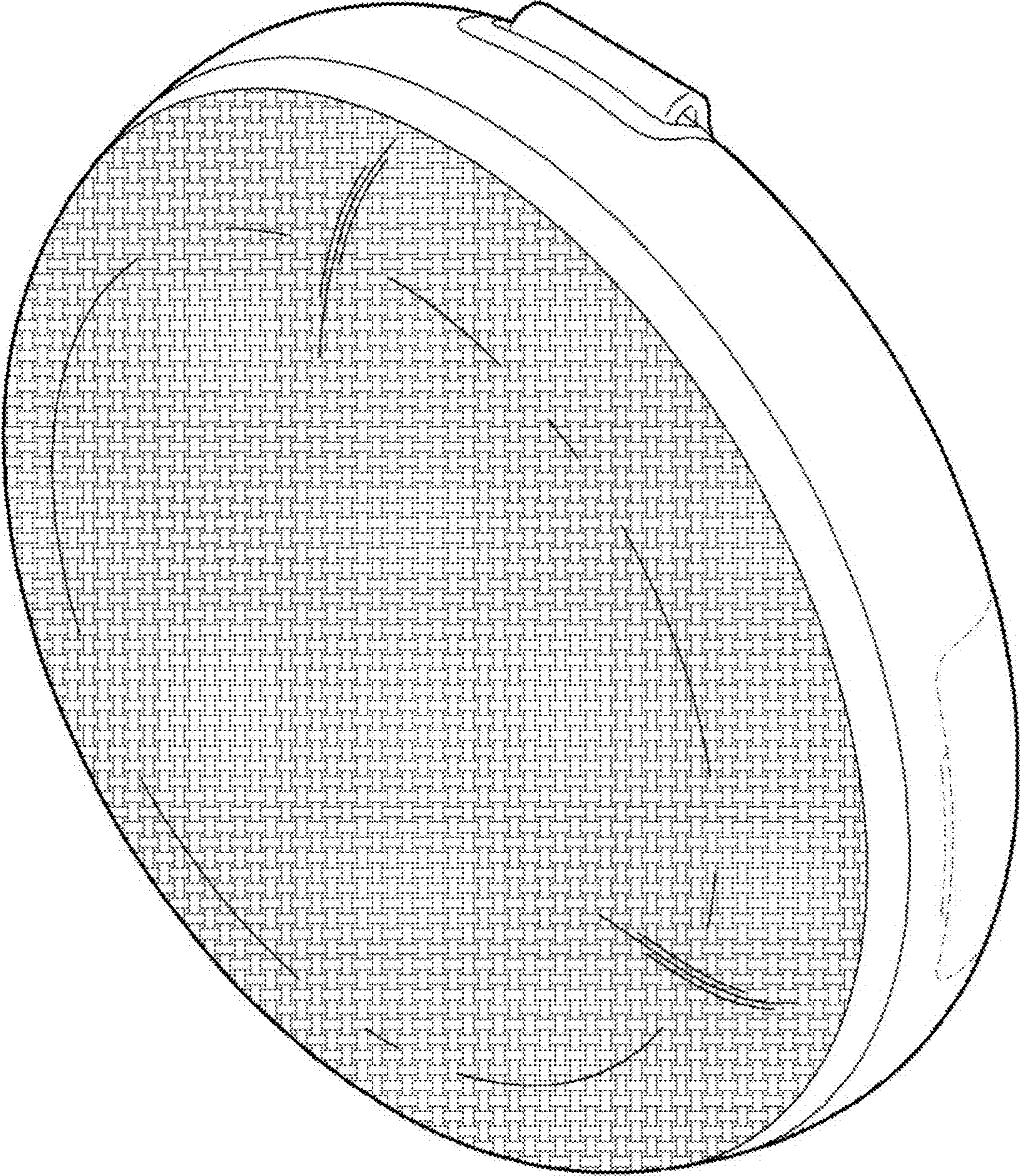
1.8 : Back perspective

The broken lines depict portions of the bluetooth speaker that form no part of the claimed design; reproduction 1.1 is a front perspective view of the bluetooth speaker; reproduction 1.2 is a front view thereof; reproduction 1.3 is a back view thereof; reproduction 1.4 is a left view thereof; reproduction 1.5 is a right view thereof; reproduction 1.6 is a top view thereof; reproduction 1.7 is a bottom view thereof; reproduction 1.8 is a back perspective view thereof.

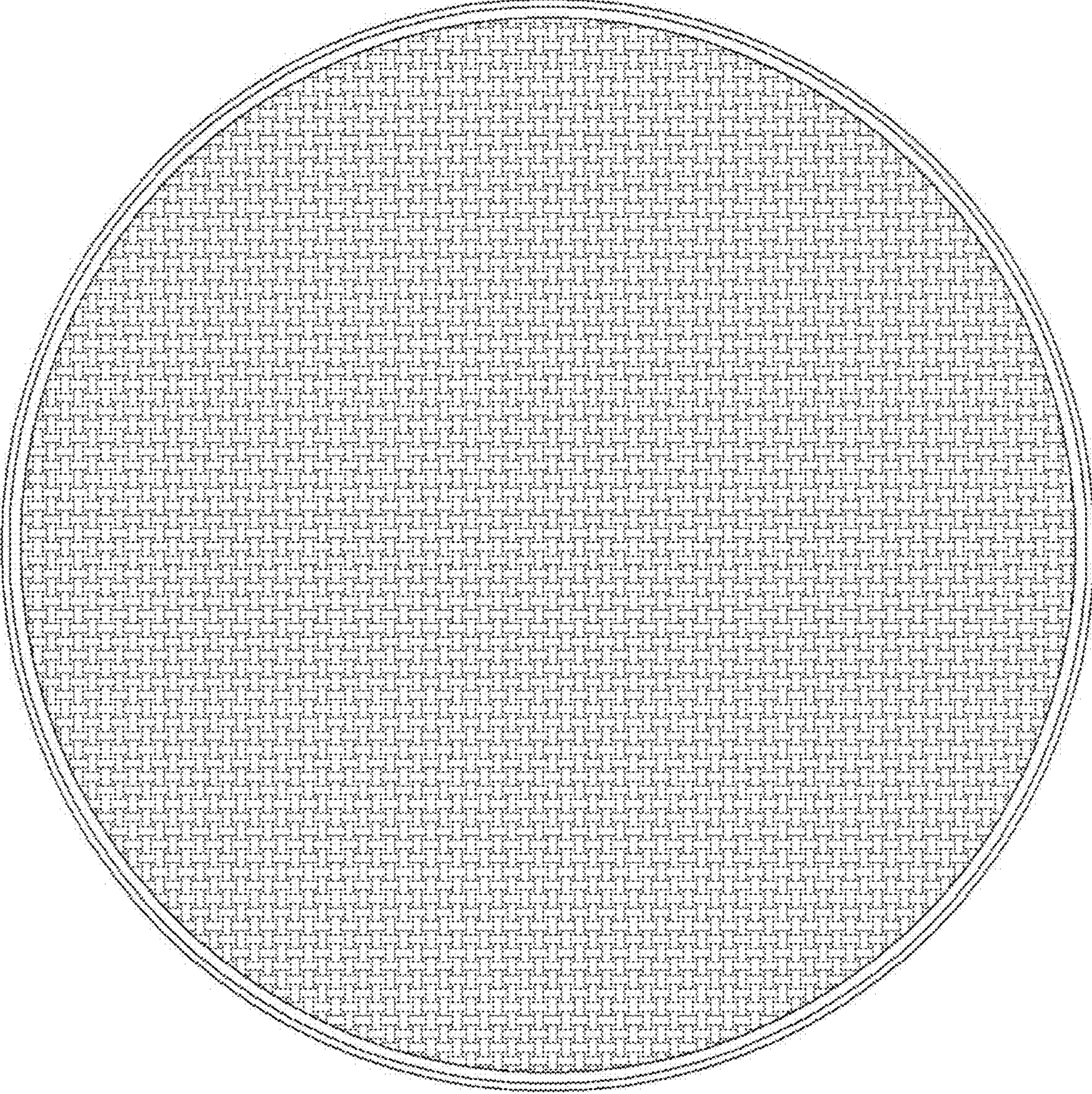
1 Claim, 8 Drawing Sheets



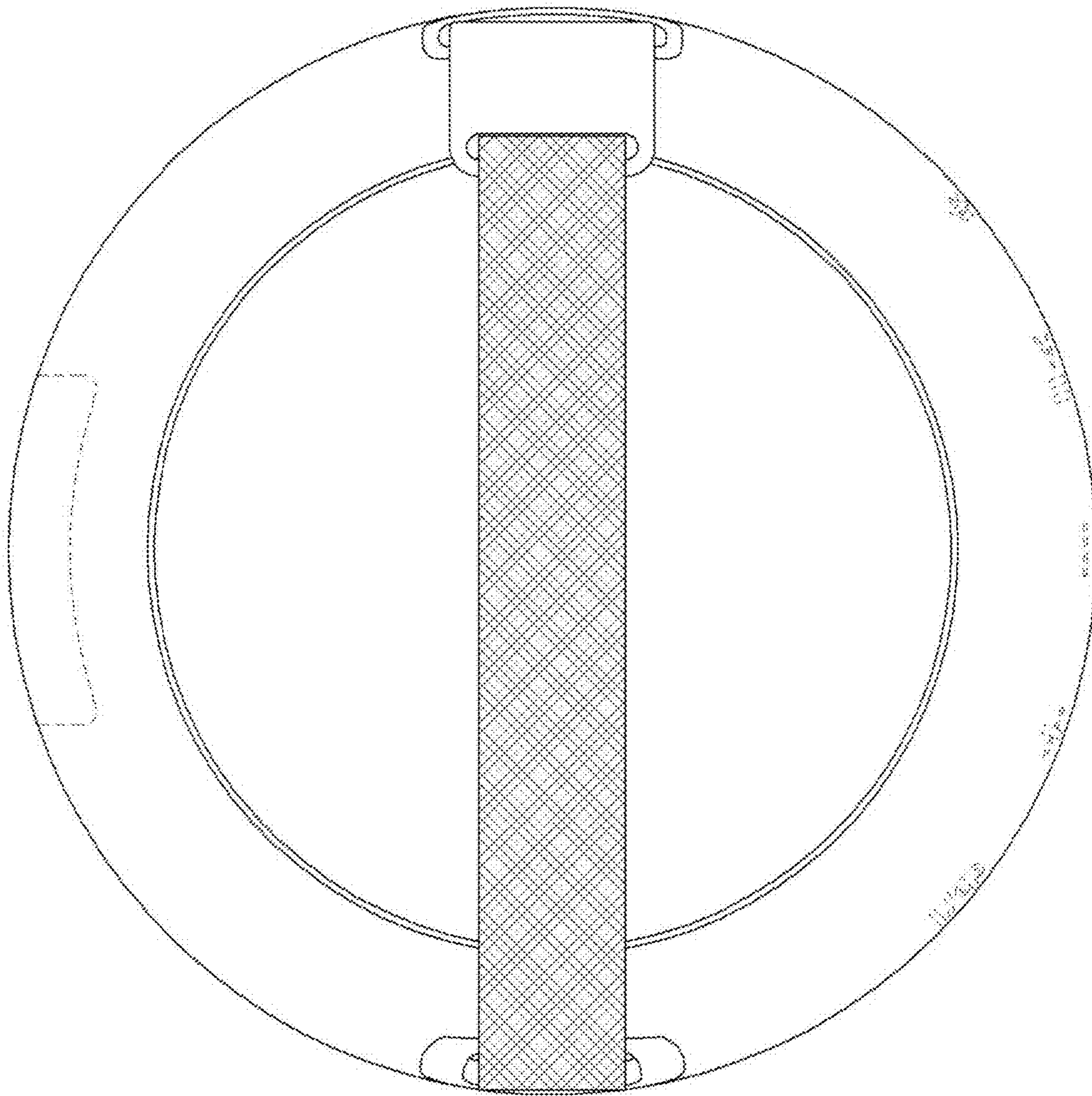
1.1



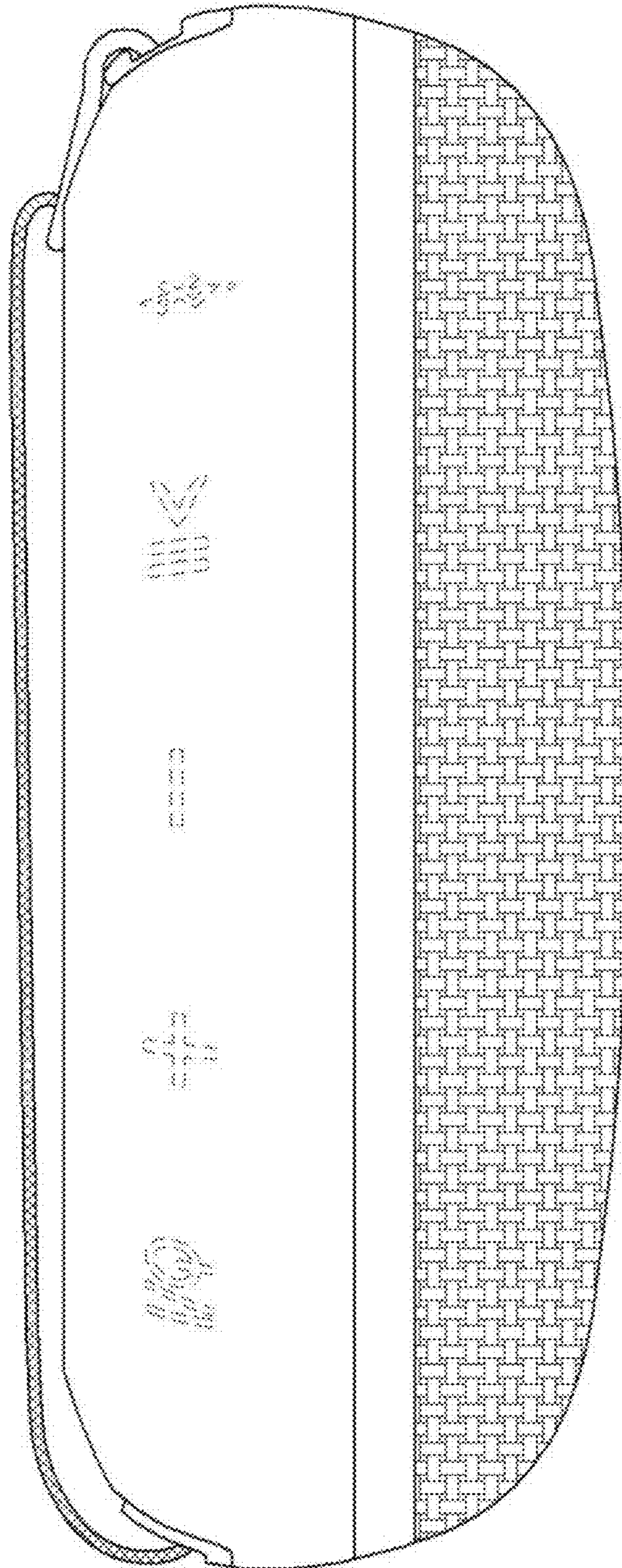
1.2



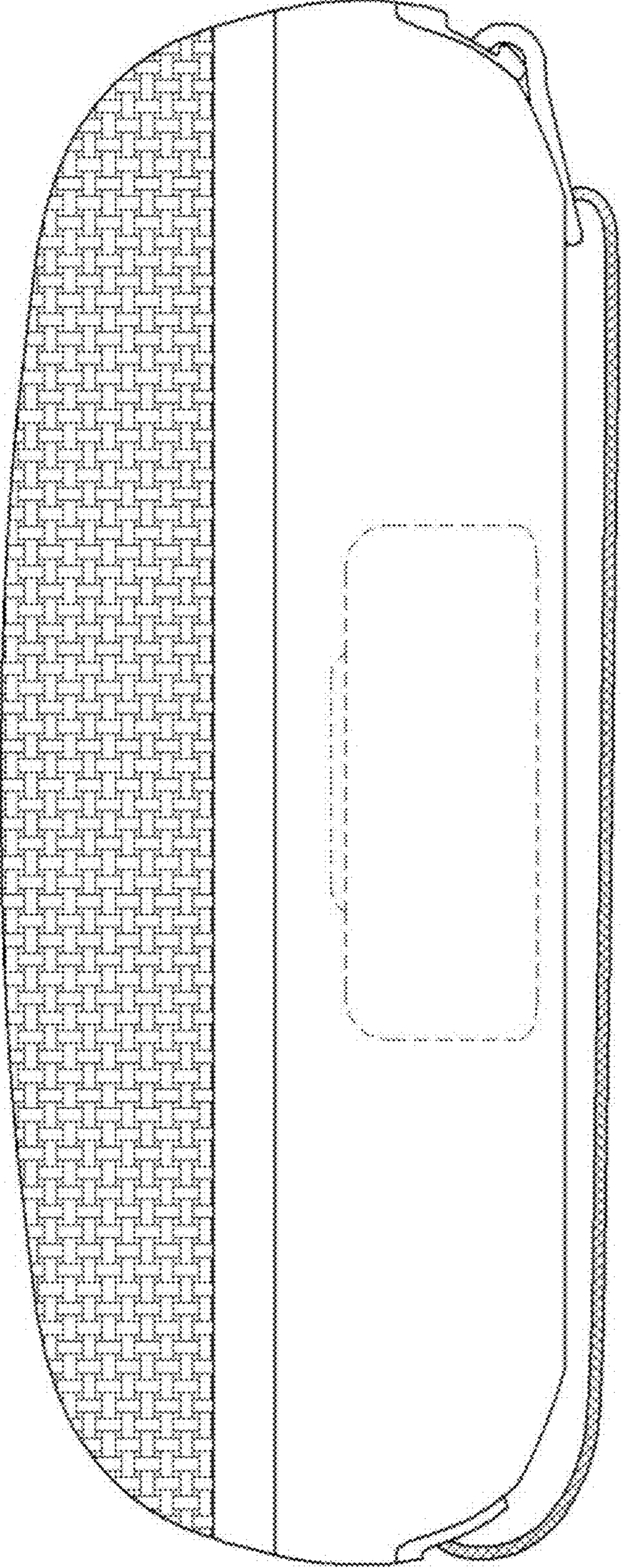
1.3



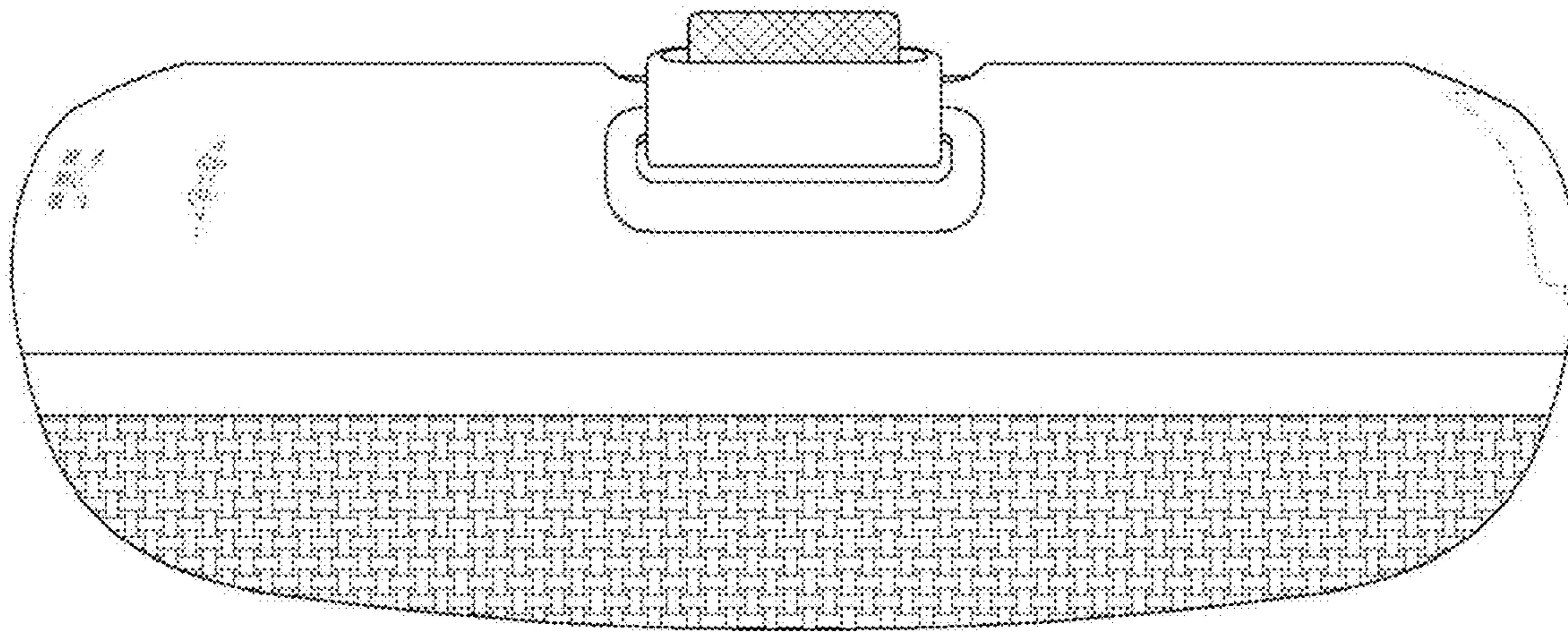
1.4



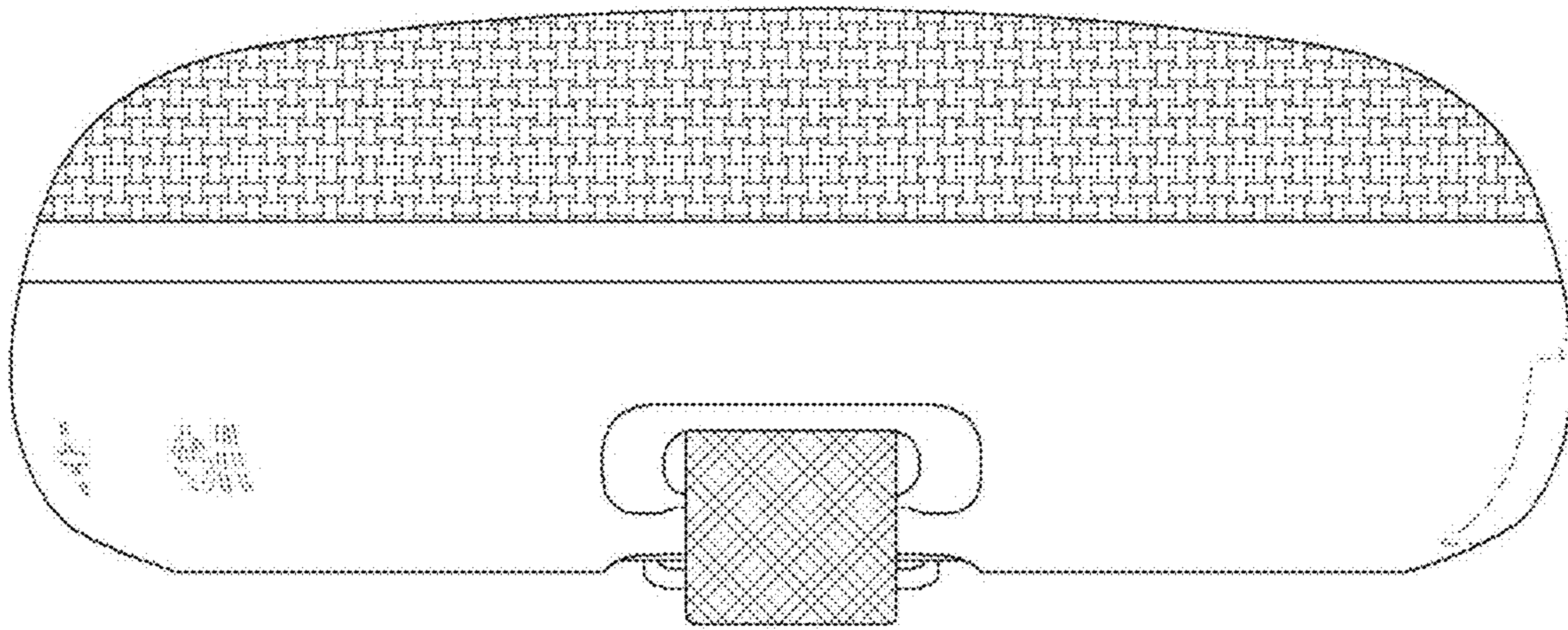
1.5



1.6



1.7



1.8

