

US00D832820S

(12) **United States Design Patent**
Norell et al.

(10) **Patent No.:** **US D832,820 S**
(45) **Date of Patent:** **** *Nov. 6, 2018**

- (54) **SPEAKER SYSTEM**
- (71) Applicant: **Zound Industries International AB**,
Stockholm (SE)
- (72) Inventors: **Bjorn Norell**, Sundbyberg (SE);
Martin Edlund, Enskede (SE); **Anders Olsson**, Johanneshov (SE)
- (73) Assignee: **Zound Industries International AB**,
Stockholm (SE)
- (*) Notice: This patent is subject to a terminal disclaimer.

3,073,203 A *	1/1963	Evans	G10H 3/185
				310/328
D214,960 S *	8/1969	Gothing	D14/214
D218,952 S *	10/1970	Becker	D14/197
D226,866 S *	5/1973	Katoh	D14/198
D348,051 S *	6/1994	Noble	D14/349
D365,348 S *	12/1995	Card	D13/184
D386,151 S *	11/1997	Werse	D14/358
D408,819 S *	4/1999	Katsumata	D14/214
5,937,074 A *	8/1999	Carver	H03F 1/0227
				181/148
D432,160 S *	10/2000	Kabumoto	D18/37
D478,077 S *	8/2003	Poole	D14/349
D481,388 S *	10/2003	Tanaka	D14/356

(Continued)

- (**) Term: **15 Years**
- (21) Appl. No.: **29/570,047**
- (22) Filed: **Jul. 3, 2016**
- (51) **LOC (11) Cl.** **14-01**
- (52) **U.S. Cl.**
USPC **D14/214**; D14/211
- (58) **Field of Classification Search**
USPC D14/168, 188, 194, 195, 196, 204, 210,
D14/211, 212, 213, 214, 215, 216
CPC B60R 11/0217; G06F 1/1688; G10K 9/22;
G10K 11/004; H03F 1/327; H04M 1/03;
H04M 1/035; H04N 5/642; H04N
21/4852; H04S 3/00; H04S 7/30; H04R
1/02; H04R 1/06; H04R 1/021; H04R
1/025; H04R 1/026; H04R 1/028; H04R
1/105; H04R 1/323; H04R 1/403; H04R
1/2803; H04R 1/2834; H04R 5/02; H04R
7/20; H04R 9/06; H04R 9/025; H04R
2201/021; H04R 2400/00; H04R 2400/07;
H04R 2499/11; H04R 2499/13; H04R
2499/15
See application file for complete search history.

- (56) **References Cited**
U.S. PATENT DOCUMENTS
D142,156 S * 8/1945 Terrell 312/7.1
D145,076 S * 6/1946 Gordenier 312/7.1

OTHER PUBLICATIONS

Android Headlines—Urbanears Speakers, announced Mar. 28, 2017 [online], [site visited Jul. 7, 2017]. Available from internet, URL: <<https://www.androidheadlines.com/2017/03/urbanears-debuts-chromecast-enabled-wi-fi-speakers.html>>.*

Primary Examiner — Keli L Hill
Assistant Examiner — Karra S Johnson
(74) *Attorney, Agent, or Firm* — Alonzo & Associates;
Arlyn Alonzo

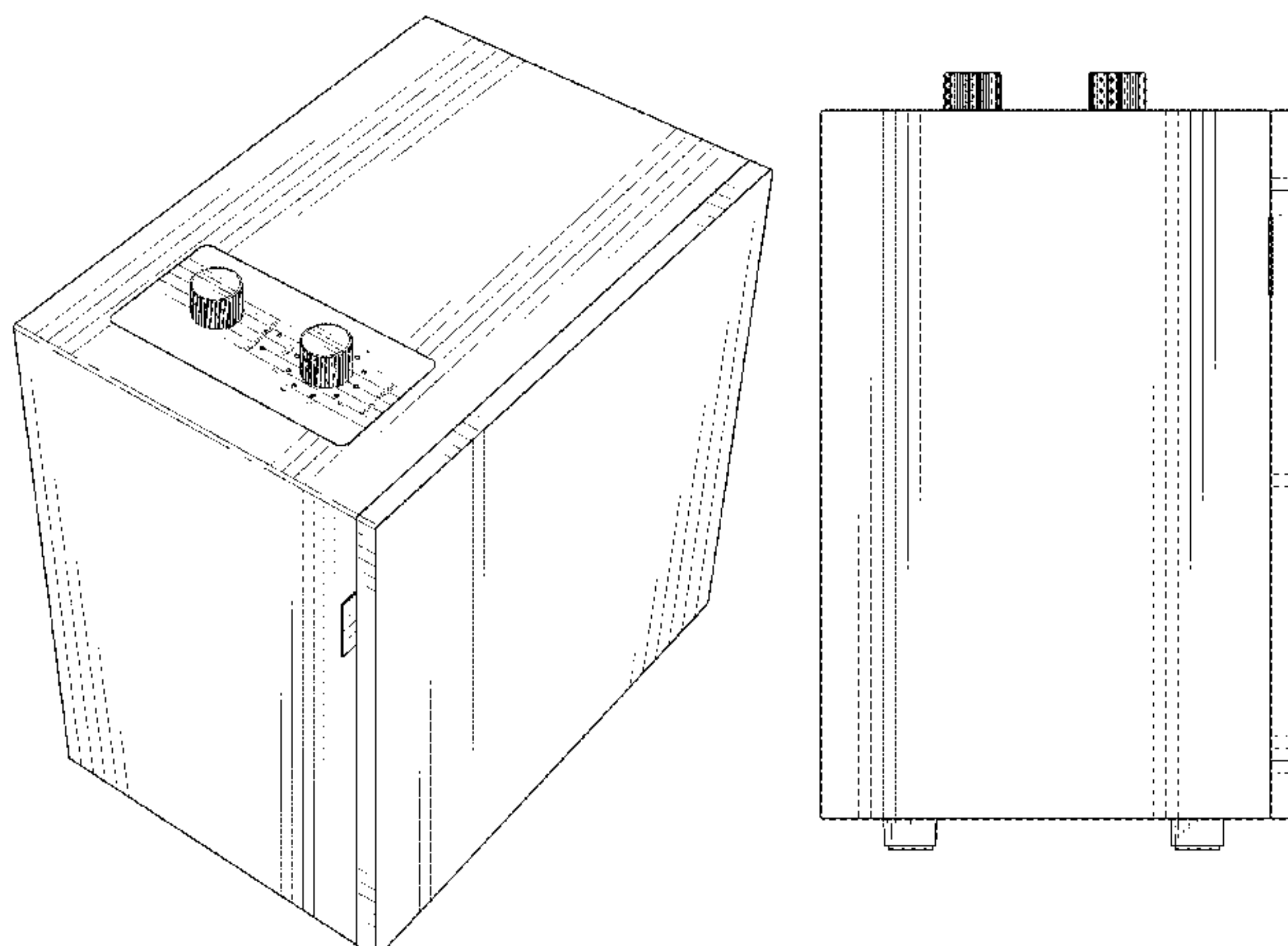
(57) **CLAIM**

The ornamental design for a speaker system, as shown and described.

DESCRIPTION

FIG. 1 is a perspective view of an exemplary speaker system.
FIG. 2 is a front view thereof.
FIG. 3 is a back view thereof.
FIG. 4 is a left side view thereof.
FIG. 5 is a right side view thereof.
FIG. 6 is a top view thereof; and,
FIG. 7 is a bottom view thereof.

1 Claim, 7 Drawing Sheets



(56)

References Cited

U.S. PATENT DOCUMENTS

D487,265 S * 3/2004 Kumano D14/349
D487,449 S * 3/2004 Ota D14/168
D495,012 S * 8/2004 Morimoto D14/188
D529,019 S * 9/2006 Lim D14/172
D529,478 S * 10/2006 Rozier D14/188
D556,253 S * 11/2007 Hong D18/50
D599,344 S * 9/2009 Wang D14/356
D603,902 S * 11/2009 Greaves D19/67
D606,541 S * 12/2009 Solomon D14/349
D607,502 S * 1/2010 Lee D18/50
D610,589 S * 2/2010 Chia D14/168
D621,441 S * 8/2010 Kim D18/39
D692,848 S * 11/2013 Poandl D14/172
D709,857 S * 7/2014 Silvera D14/171
D710,327 S * 8/2014 McManigal D14/214
D759,627 S * 6/2016 McManigal D14/214
D759,628 S * 6/2016 McManigal D14/214
D781,819 S * 3/2017 Koo D14/214
D790,509 S * 6/2017 Towle D14/204
D810,722 S * 2/2018 Xu D14/214
D813,843 S * 3/2018 Norell D14/221
D814,437 S * 4/2018 HonRDI D14/168
D818,988 S * 5/2018 Kitazawa D14/204
9,961,480 B2 * 5/2018 Hutchings H04W 4/80
2018/0150280 A1 * 5/2018 Rhee G06F 3/167

* cited by examiner

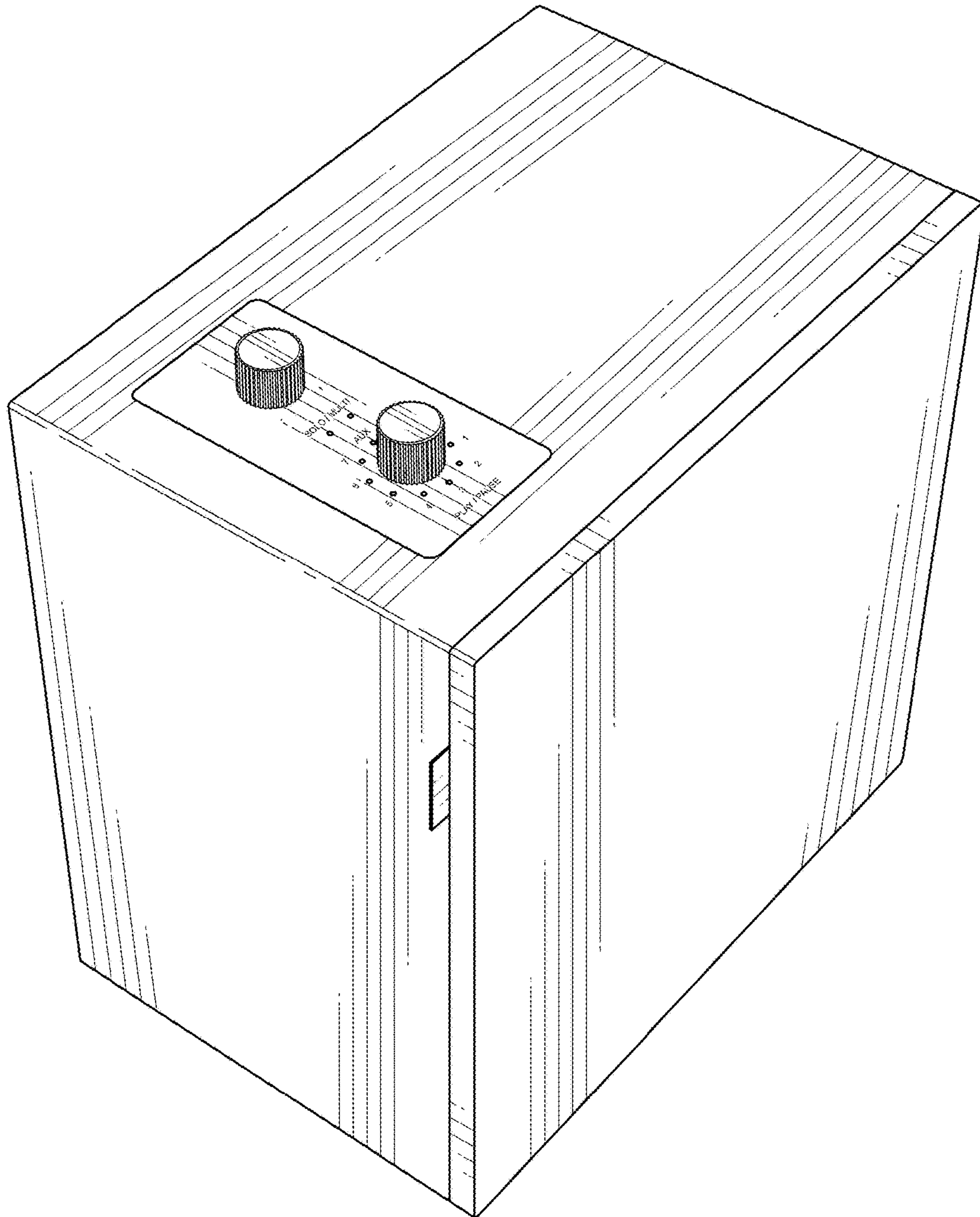


FIG. 1

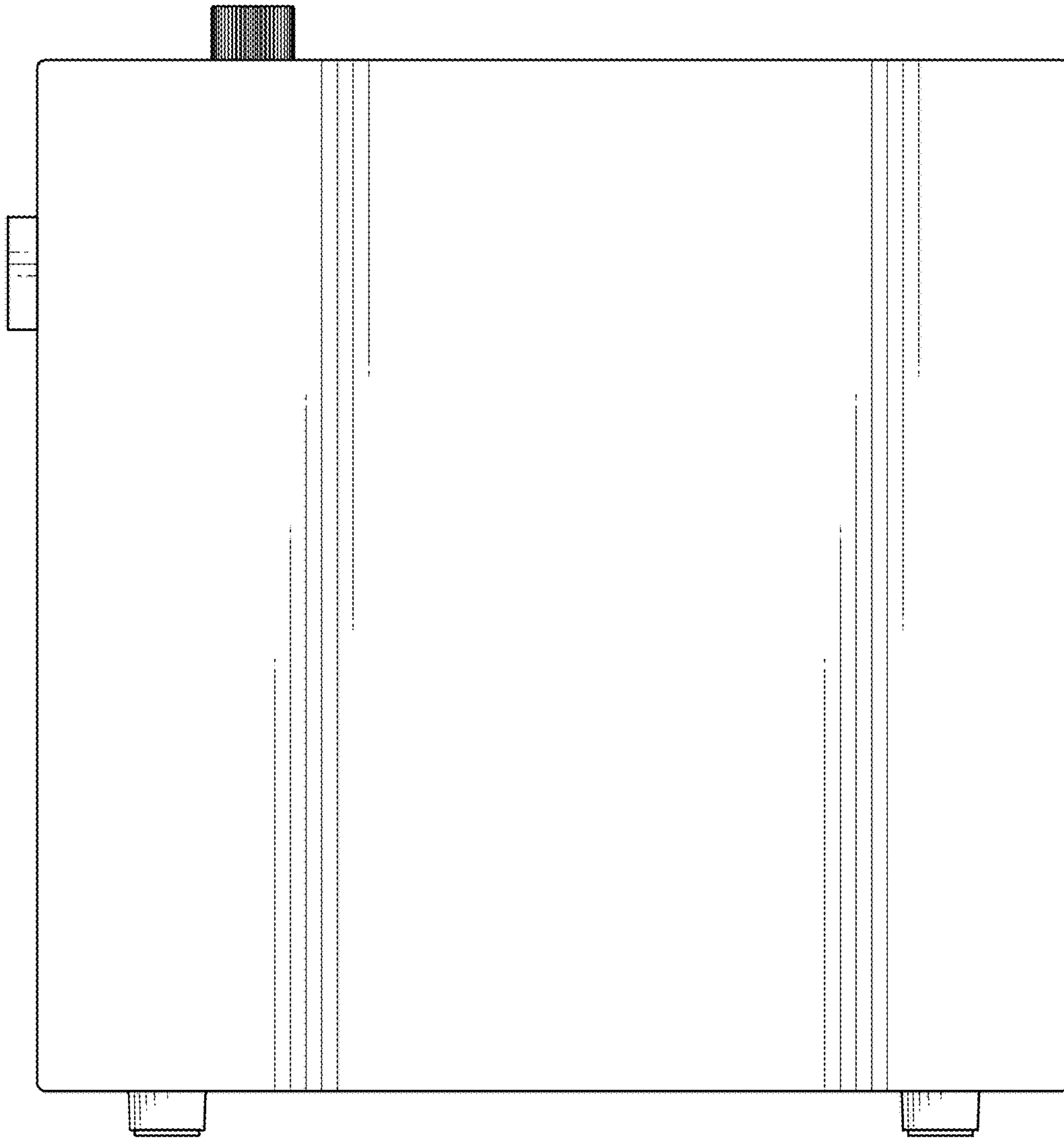


FIG. 2

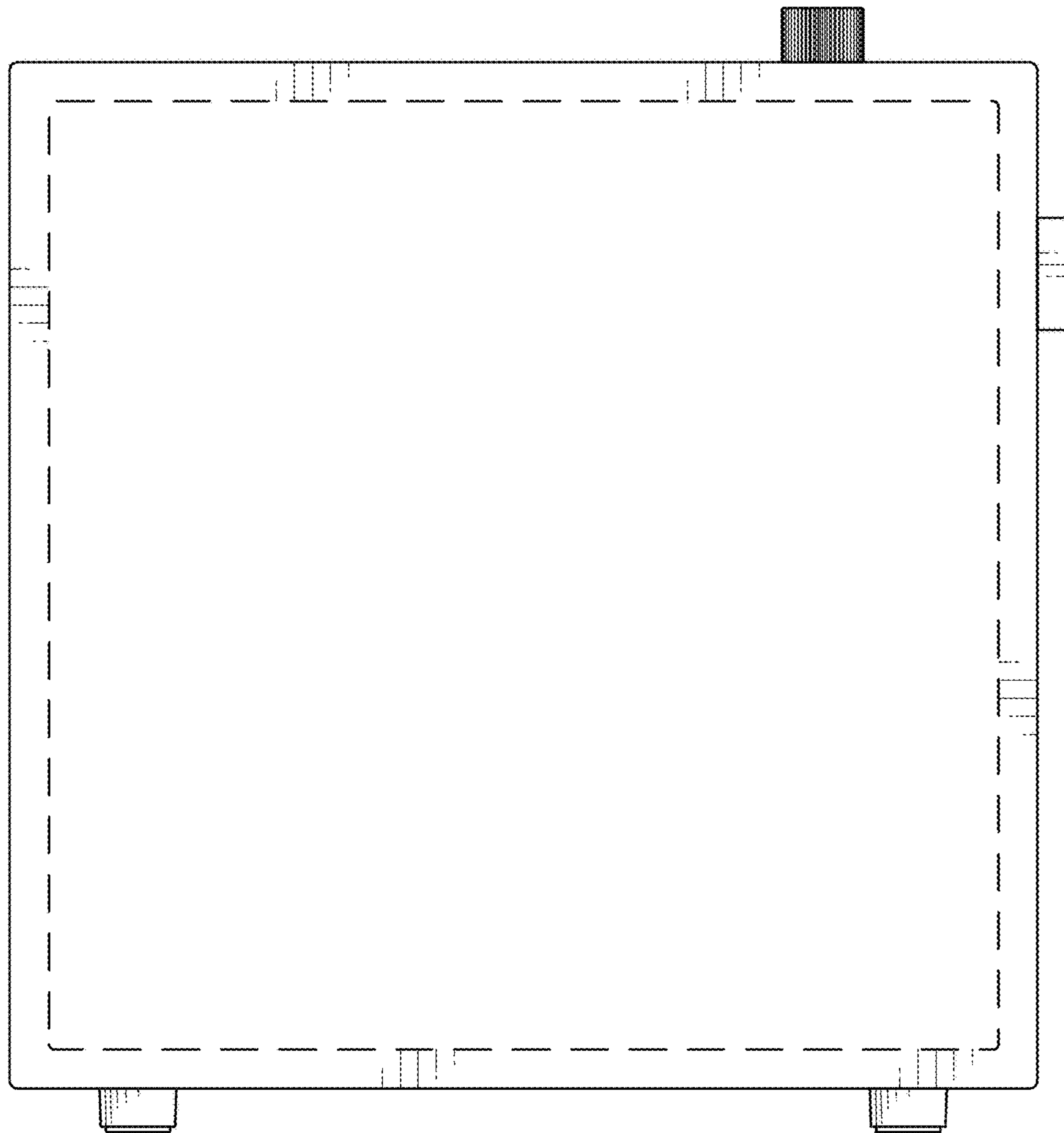


FIG. 3

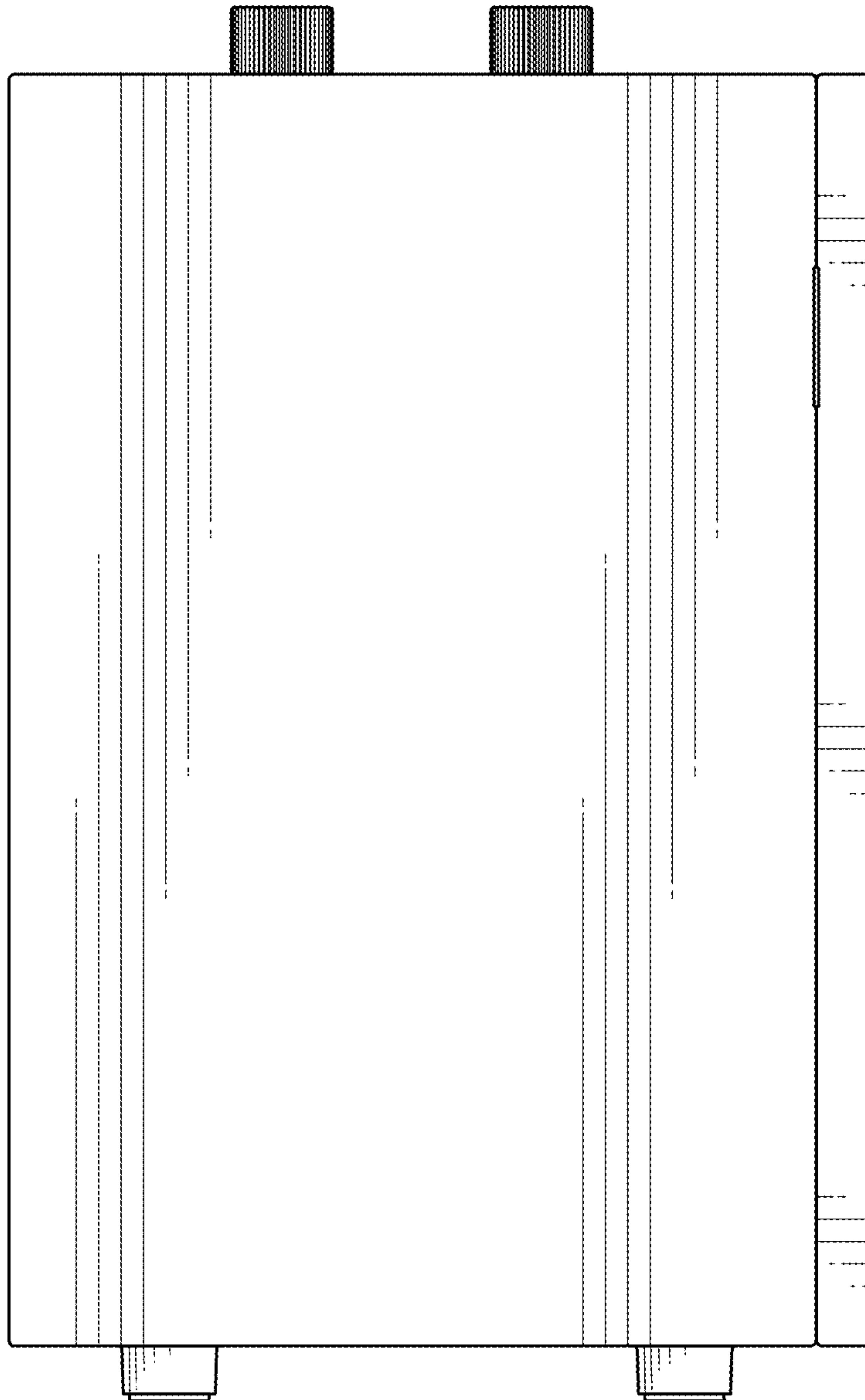


FIG. 4

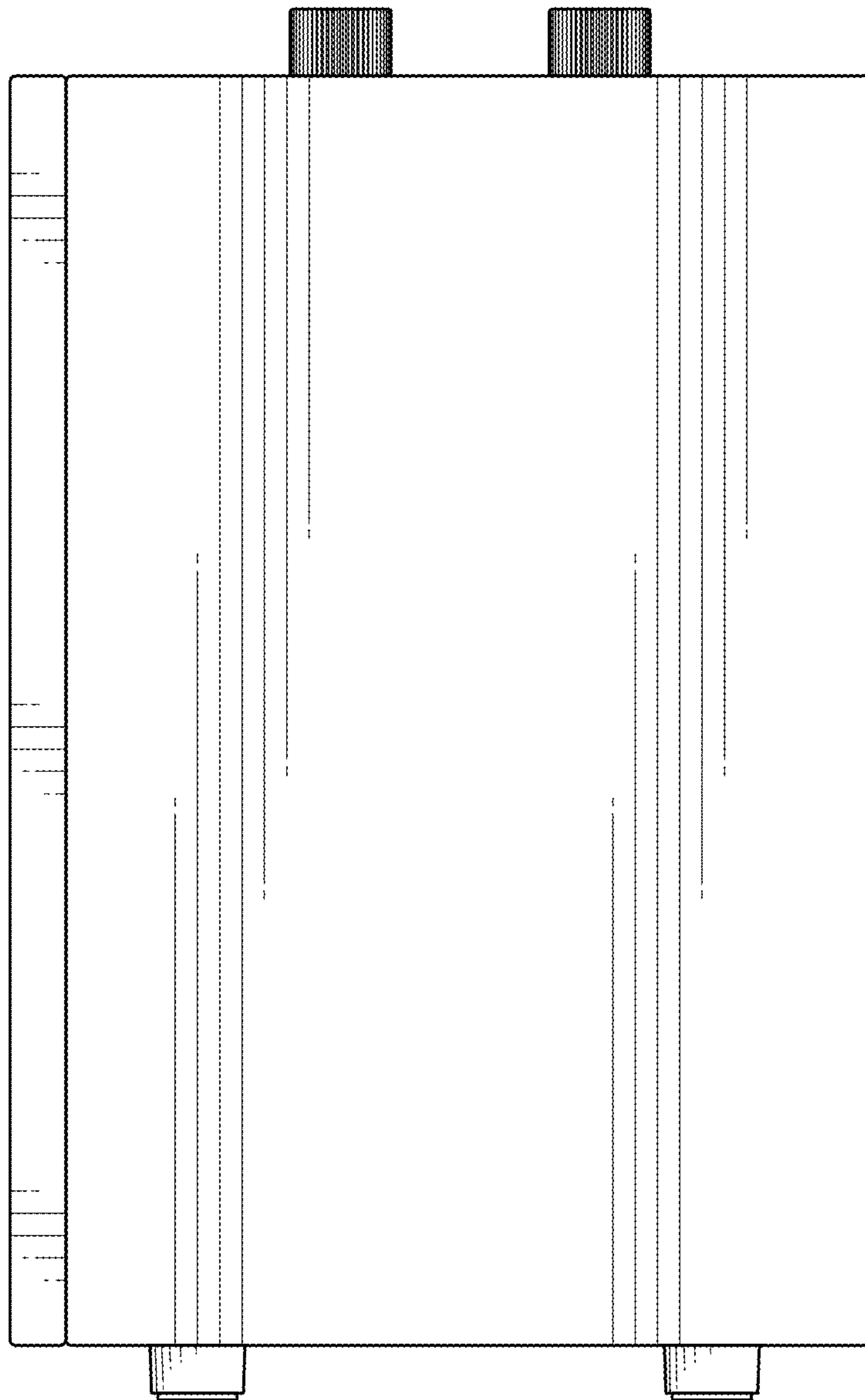


FIG. 5

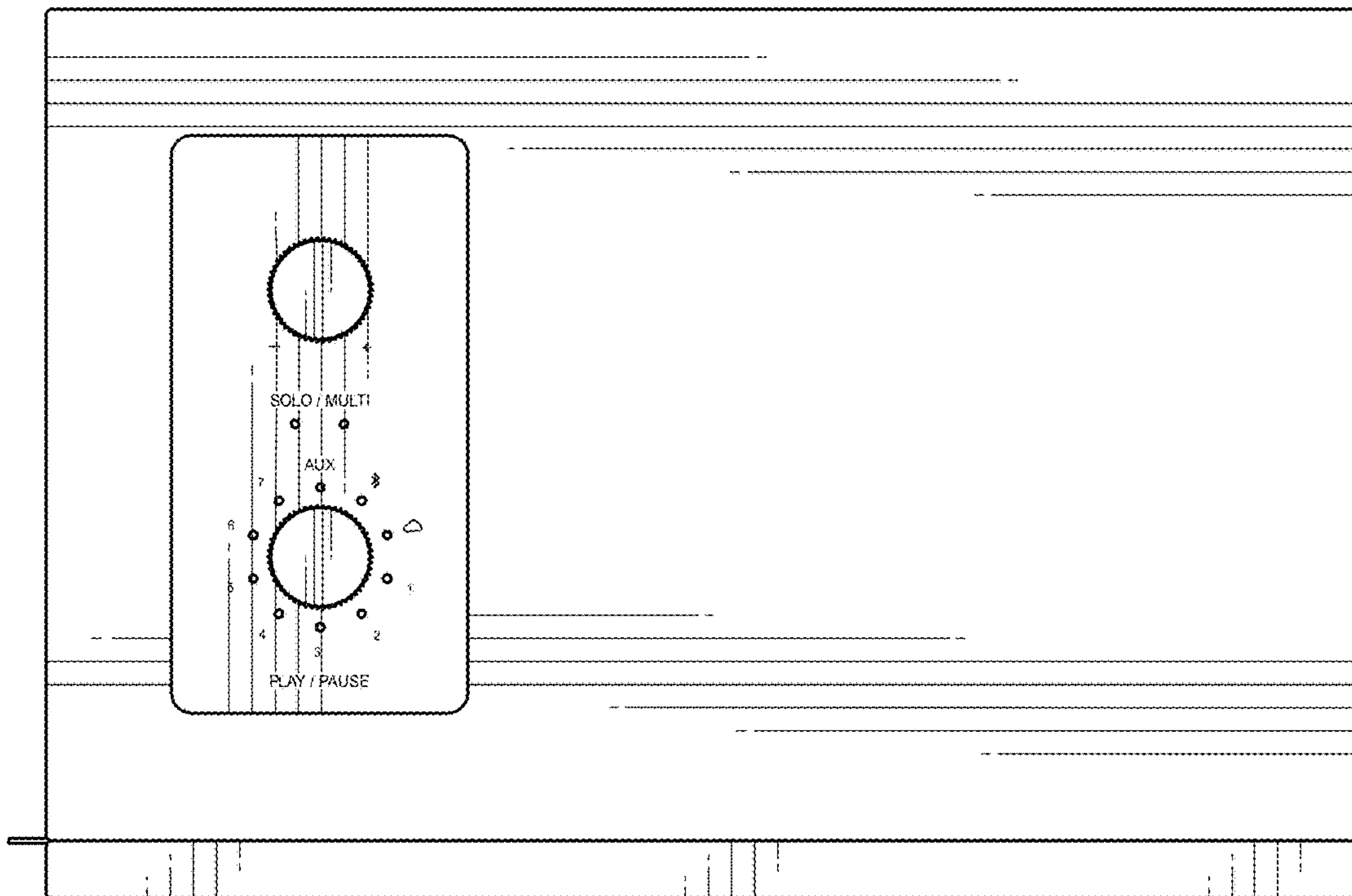


FIG. 6

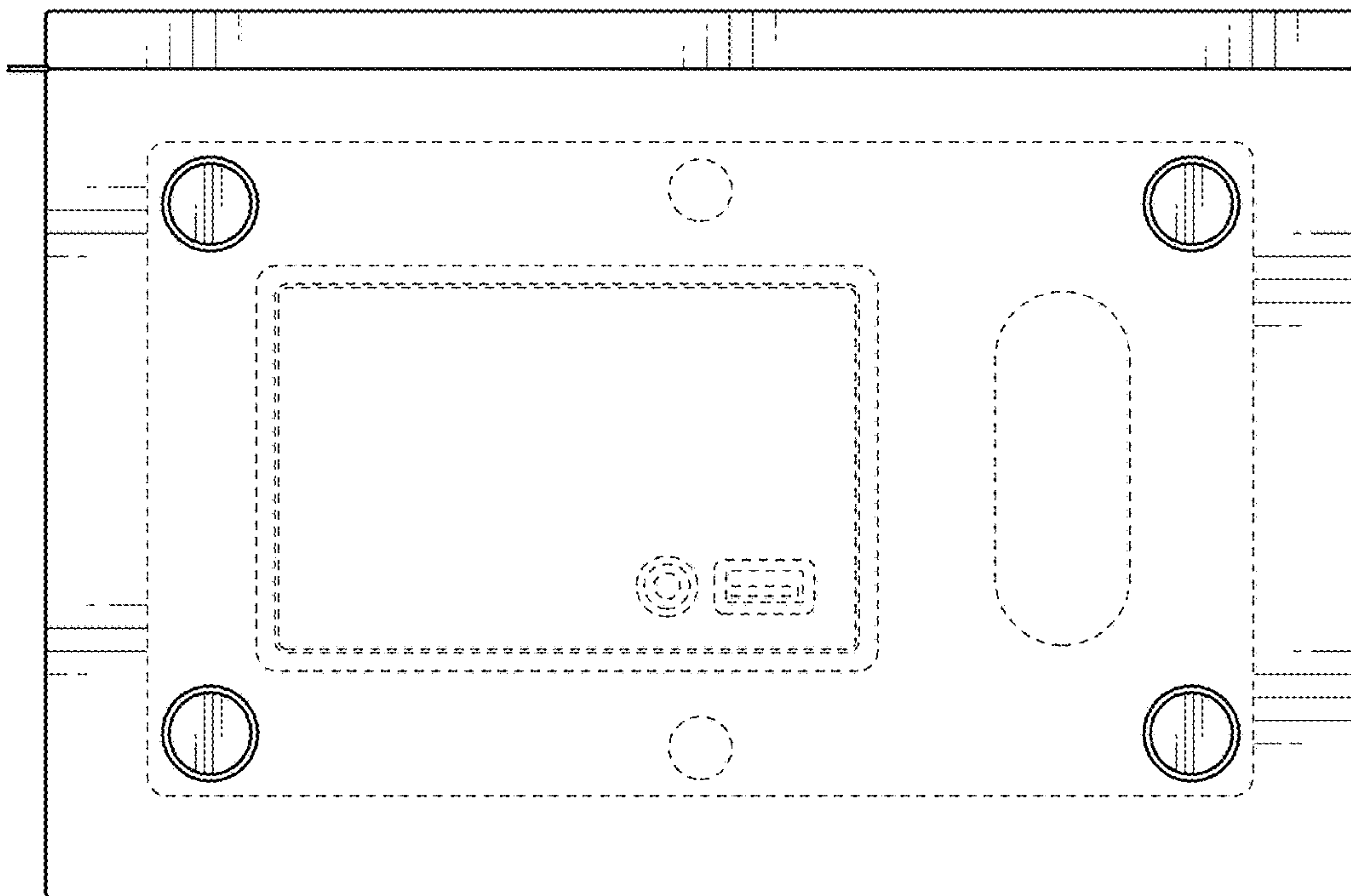


FIG. 7