



US00D832813S

(12) **United States Design Patent**  
**Levine et al.**

(10) **Patent No.:** **US D832,813 S**  
(45) **Date of Patent:** **\*\* Nov. 6, 2018**

- (54) **HEADSET**
- (71) Applicant: **New Audio LLC**, New York, NY (US)
- (72) Inventors: **Jonathan E. Levine**, New York, NY (US); **Drew S. Briggs**, Brooklyn, NY (US)
- (73) Assignee: **New Audio LLC**, New York, NY (US)
- (\*\*) Term: **15 Years**
- (21) Appl. No.: **29/599,994**
- (22) Filed: **Apr. 7, 2017**
- (51) **LOC (11) Cl.** ..... **14-01**
- (52) **U.S. Cl.**  
USPC ..... **D14/205**
- (58) **Field of Classification Search**  
USPC ..... D14/205, 223; D29/112; 2/209, 174;  
181/129, 130, 135; 379/430, 431;  
381/380, 381, 374, 74; 455/90.3, 575.1,  
455/569.1  
CPC .... H04R 1/1066; H04R 1/1016; H04R 5/033;  
H04R 5/0335; H04R 1/10; H04R 25/00  
See application file for complete search history.

- 2,235,372 A \* 3/1941 Kalbitz ..... H04R 1/1066  
381/371
- 2,394,374 A \* 2/1946 Gilman ..... H04R 1/1066  
381/189
- 2,413,345 A \* 12/1946 Gilman ..... H04R 1/1066  
381/379
- 2,486,267 A \* 10/1949 Dulinsky ..... H04R 5/0335  
381/377
- 2,510,344 A \* 6/1950 Law ..... G03B 21/625  
359/457
- 2,782,423 A \* 2/1957 Simon ..... A61F 11/14  
2/209
- 3,440,663 A \* 4/1969 Beguin ..... A61F 11/14  
2/209

(Continued)

**OTHER PUBLICATIONS**

U.S. Appl. No. 15/853,395, filed Dec. 22, 2017, Levine, Jonathan E. et al.

(Continued)

*Primary Examiner* — Paula Allen Greene  
(74) *Attorney, Agent, or Firm* — Perkins Coie LLP

(57) **CLAIM**

The ornamental design for a headset, as shown and described.

**DESCRIPTION**

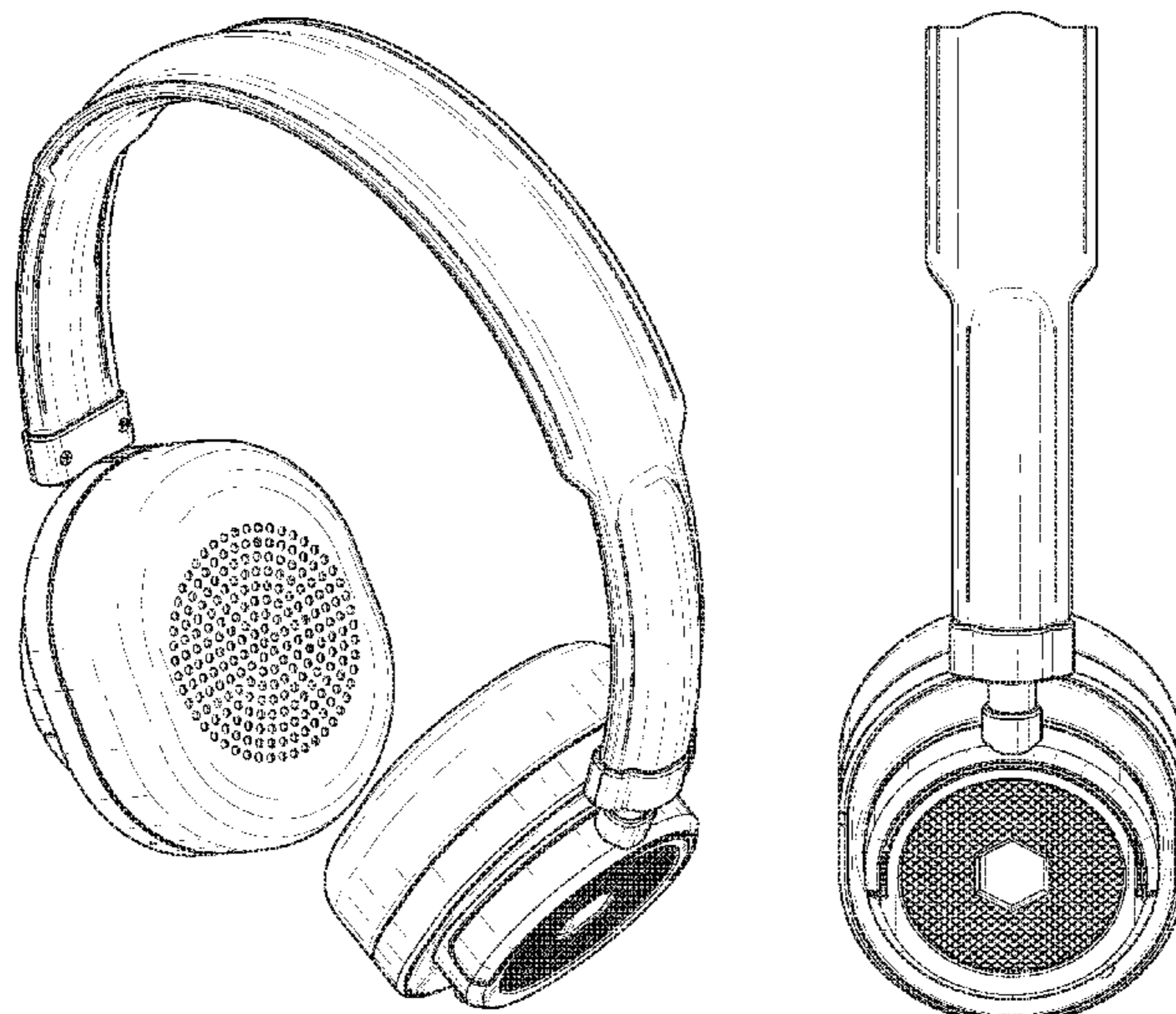
FIG. 1 is a perspective view of a headset showing our design.  
FIG. 2 is a front elevational view thereof.  
FIG. 3 is a back elevational view thereof.  
FIG. 4 is an outer side elevational view thereof.  
FIG. 5 is an opposite outer side elevational view thereof.  
FIG. 6 is a top plan view thereof; and,  
FIG. 7 is a bottom plan view thereof.  
The broken lines depict environment that forms no part of the claimed design.

**1 Claim, 5 Drawing Sheets**

(56) **References Cited**

**U.S. PATENT DOCUMENTS**

- 1,127,161 A \* 2/1915 Baldwin ..... H04R 5/0335  
381/379
- 1,367,746 A \* 2/1921 Kent ..... H04R 1/1008  
181/129
- 1,483,315 A \* 2/1924 Saal ..... H04R 1/1066  
381/374
- 1,489,978 A \* 4/1924 Byron ..... H04R 1/1008  
128/866
- 1,587,409 A \* 6/1926 Ouillette ..... H04R 1/10  
381/374
- 1,649,551 A \* 11/1927 Smith ..... H04R 1/1066  
381/374



(56)

References Cited

U.S. PATENT DOCUMENTS

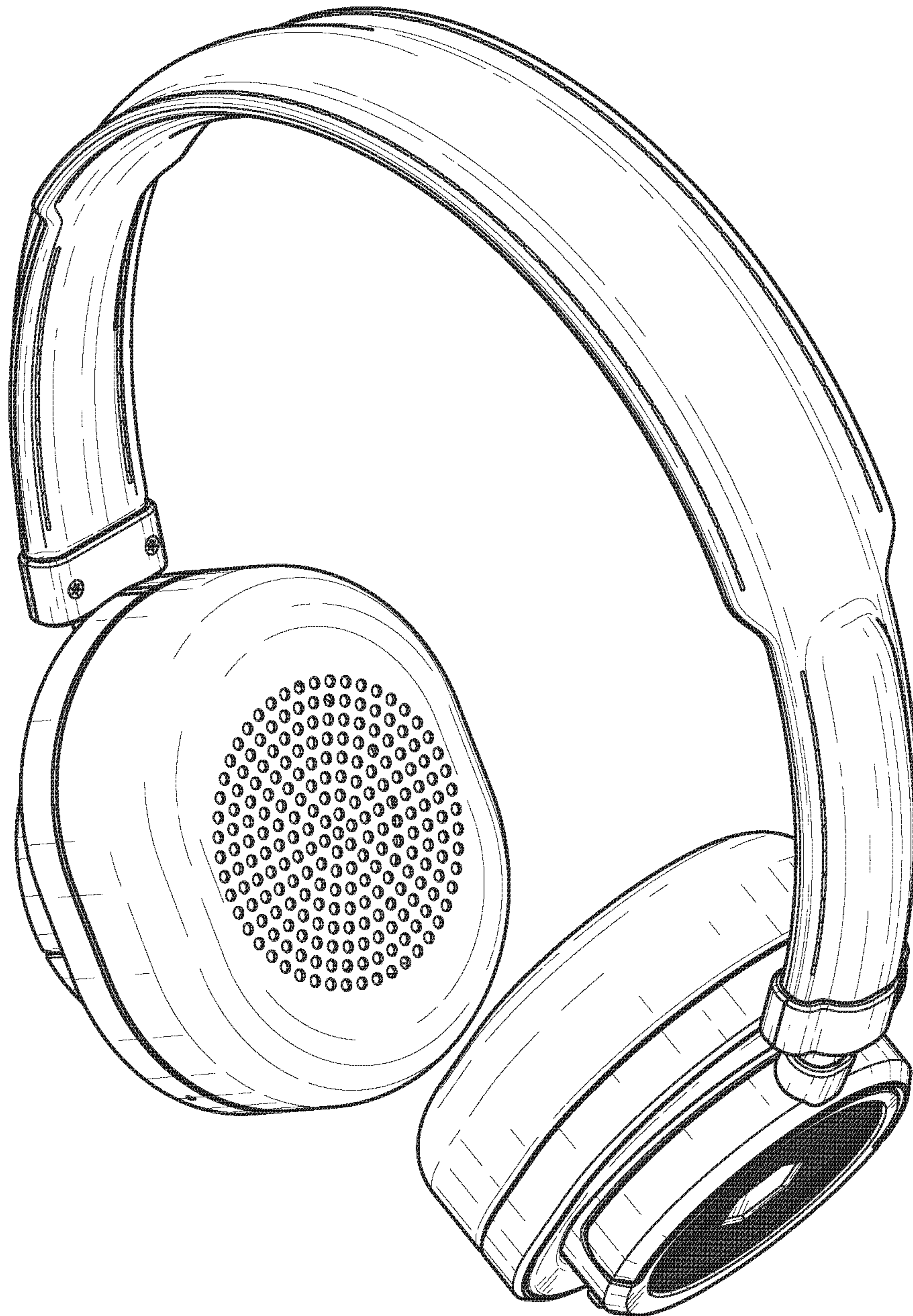
3,488,457 A \* 1/1970 Lahti ..... H04R 1/1008  
381/371  
3,797,045 A \* 3/1974 Aho ..... A61F 11/14  
2/209  
D235,210 S \* 5/1975 Hill ..... D14/205  
3,922,725 A \* 12/1975 Csiki ..... A61F 11/14  
2/209  
D246,519 S \* 11/1977 Kato ..... D14/205  
4,175,217 A \* 11/1979 Williams ..... H04M 1/23  
379/430  
4,472,607 A \* 9/1984 Houng ..... H04M 1/05  
181/18  
4,829,571 A \* 5/1989 Kakiuchi ..... H04R 1/1033  
381/309  
5,035,005 A 7/1991 Hung  
5,233,650 A \* 8/1993 Chan ..... H04M 1/05  
379/430  
5,293,647 A \* 3/1994 Mirmilshteyn ..... H04R 1/10  
2/209  
5,438,626 A 8/1995 Nueman  
D410,466 S 6/1999 Mouri et al.  
D431,550 S \* 10/2000 Yoneda ..... D14/205  
D484,485 S \* 12/2003 Matsuoka ..... D14/205  
D508,483 S \* 8/2005 Suzuki ..... D14/205  
D514,087 S \* 1/2006 Wilson ..... D14/206  
D517,527 S \* 3/2006 Suzuki ..... D14/205  
D560,654 S \* 1/2008 Feng ..... D14/205  
D567,215 S \* 4/2008 Lee ..... D14/205  
D633,471 S \* 3/2011 Sugiyama ..... D14/205  
8,325,962 B2 12/2012 Ishida  
8,737,668 B1 5/2014 Blair  
D722,998 S \* 2/2015 Sancho ..... D14/205  
D726,174 S \* 4/2015 Wahlin ..... D14/250  
D727,280 S \* 4/2015 Levine ..... D14/205  
D727,281 S \* 4/2015 Levine ..... D14/205  
D728,512 S \* 5/2015 Nakagawa ..... D14/205  
D733,090 S \* 6/2015 Petersen ..... D14/205

D736,174 S 8/2015 Levine  
D736,175 S \* 8/2015 Levine ..... D14/205  
D741,842 S 10/2015 Levine  
D762,190 S \* 7/2016 Levine ..... D14/205  
D762,191 S \* 7/2016 Levine ..... D14/205  
D765,055 S \* 8/2016 Hsieh ..... D14/205  
D772,841 S \* 11/2016 Levine ..... D14/205  
D780,155 S 2/2017 Levine et al.  
D781,265 S \* 3/2017 Levine ..... D14/205  
D781,814 S \* 3/2017 Levine ..... D14/205  
D794,603 S \* 8/2017 Riggs ..... D14/205  
9,729,954 B2 8/2017 Levine et al.  
D805,056 S \* 12/2017 Levine ..... D14/205  
D810,055 S 2/2018 Levine  
D812,588 S \* 3/2018 Levine ..... D14/205  
D813,194 S \* 3/2018 Loh ..... D14/205  
2008/0056525 A1 3/2008 Fujiwara et al.  
2010/0177907 A1 7/2010 Morisawa  
2012/0070028 A1 3/2012 Margulies  
2017/0041696 A1 2/2017 Levine et al.  
2017/0041697 A1 \* 2/2017 Levine ..... H04R 1/1033  
2017/0134845 A1 5/2017 Milam  
2017/0339479 A1 11/2017 Levine  
2018/0020277 A1 1/2018 Briggs  
2018/0020278 A1 1/2018 Levine et al.

OTHER PUBLICATIONS

U.S. Appl. No. 29/594,131, filed Feb. 15, 2017, Levine, Jonathan E. et al.  
U.S. Appl. No. 29/599,322, filed Mar. 31, 2017, Levine, Jonathan E. et al.  
U.S. Appl. No. 29/628,837, filed Dec. 7, 2017, Levine, Jonathan E.  
U.S. Appl. No. 29/632,542, filed Jan. 8, 2018, Drew Stone Briggs et al.  
U.S. Appl. No. 29/636,718, filed Feb. 9, 2018, Levine, Jonathan E.  
U.S. Appl. No. 29/596,857, filed Mar. 10, 2017, Levine, Jonathan E. et al.  
U.S. Appl. No. 29/636,714, filed Feb. 9, 2018, Levine, Jonathan E.

\* cited by examiner



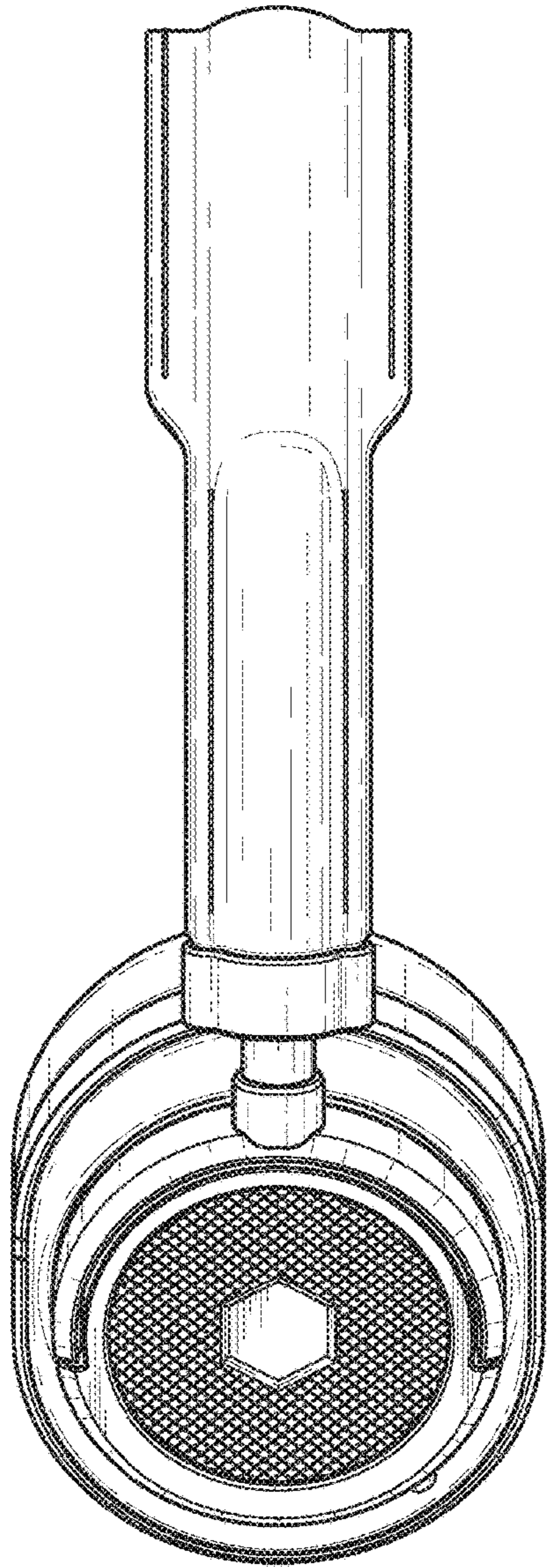
*Fig. 1*



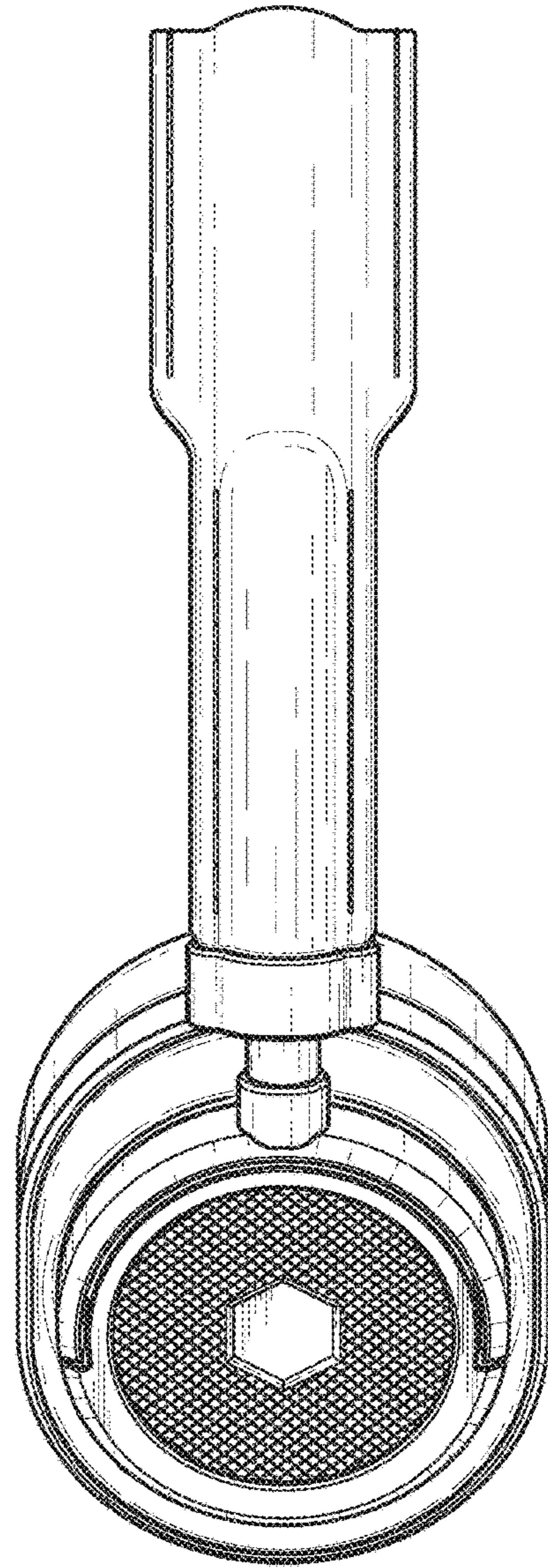
*Fig. 2*



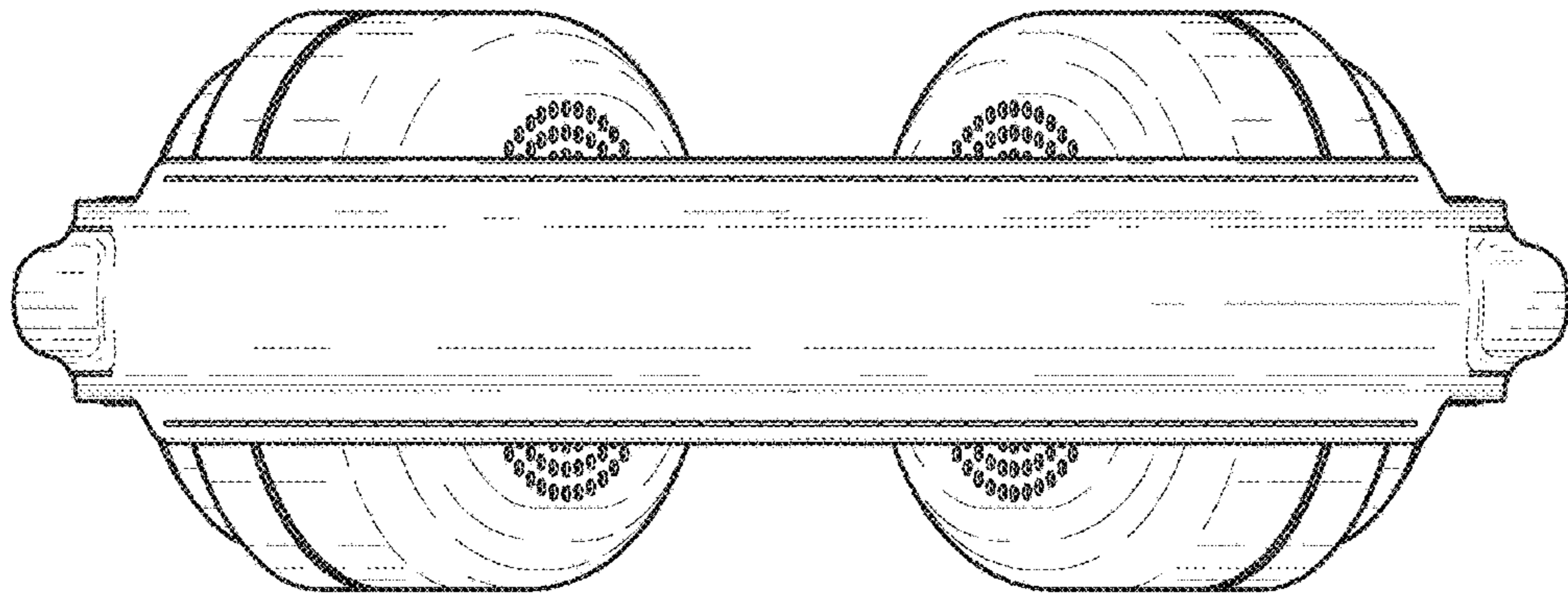
*Fig. 3*



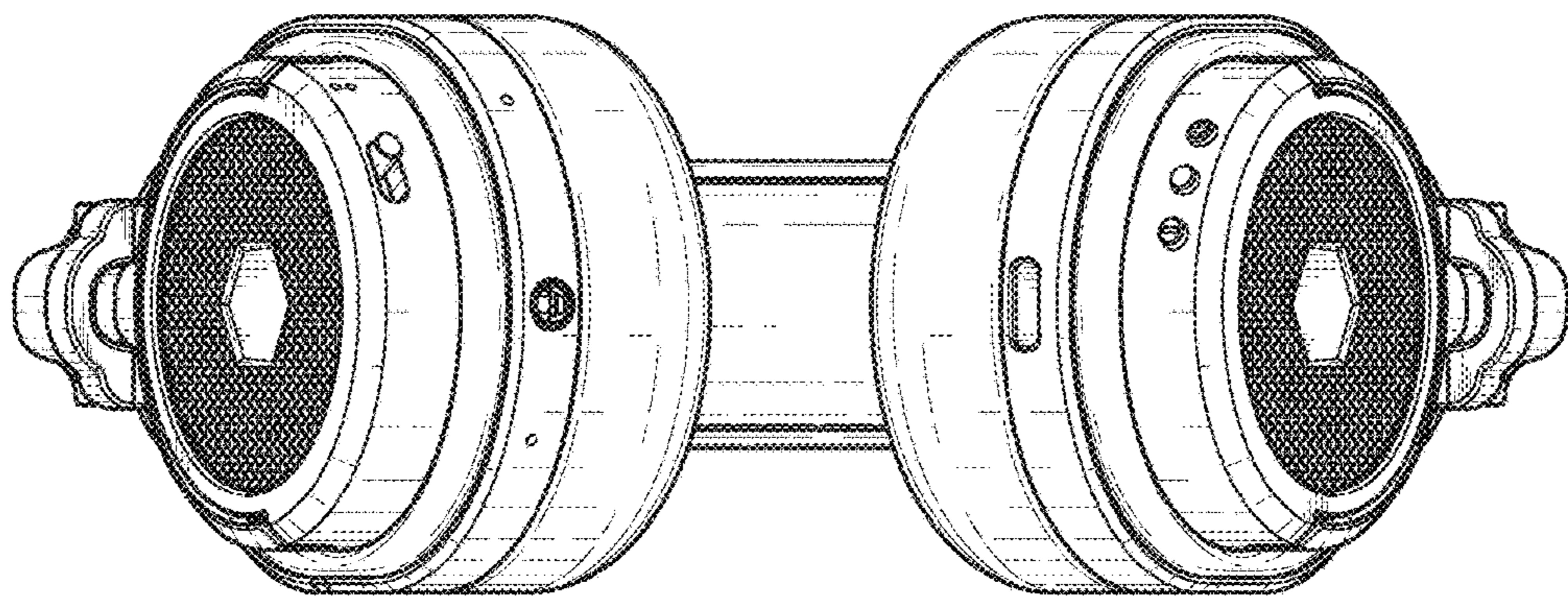
*Fig. 4*



*Fig. 5*



*Fig. 6*



*Fig. 7*