

US00D832811S

(12) **United States Design Patent** (10) **Patent No.:** **US D832,811 S**  
**Levine et al.** (45) **Date of Patent:** **\*\* Nov. 6, 2018**

(54) **EARPIECE ATTACHMENT PORTION OF HEADPHONE DEVICE**  
(71) Applicant: **New Audio LLC**, New York, NY (US)  
(72) Inventors: **Jonathan E. Levine**, New York, NY (US); **Drew S. Briggs**, Brooklyn, NY (US); **Marten Andersson**, Malmö (SE); **Thomas C. Wilson**, Brooklyn, NY (US)  
(73) Assignee: **New Audio LLC**, New York, NY (US)

1,367,746 A 2/1921 Kent  
1,483,315 A \* 2/1924 Saal ..... H04R 1/1066  
381/374  
1,489,978 A \* 4/1924 Byron ..... H04R 1/1008  
128/866  
1,587,409 A \* 6/1926 Ouillette ..... H04R 1/10  
381/374  
1,649,551 A \* 11/1927 Smith ..... H04R 1/1066  
381/374  
2,235,372 A \* 3/1941 Kalbitz ..... H04R 1/1066  
381/371  
2,394,374 A \* 2/1946 Gilman ..... H04R 1/1066  
381/189

(\*\*) Term: **15 Years**

(Continued)

(21) Appl. No.: **29/596,857**

OTHER PUBLICATIONS

(22) Filed: **Mar. 10, 2017**

U.S. Appl. No. 15/853,395, filed Dec. 22, 2017, Levine, Jonathan E. et al.

**Related U.S. Application Data**

(Continued)

(62) Division of application No. 29/535,635, filed on Aug. 7, 2015, now Pat. No. Des. 781,265.

*Primary Examiner* — Paula Allen Greene  
(74) *Attorney, Agent, or Firm* — Perkins Coie LLP

(51) **LOC (11) Cl.** ..... **14-01**

(52) **U.S. Cl.**  
USPC ..... **D14/205**

(57) **CLAIM**

(58) **Field of Classification Search**  
USPC ..... D14/205, 223, 188, 192; D29/112;  
2/209; 181/129, 130, 135; 379/430, 431;  
381/380, 381, 370, 375, 374, 378, 379,  
381/330; 455/90.3, 575.1, 569.1  
CPC .... H04R 1/1066; H04R 1/1016; H04R 5/033;  
H04R 5/0335; H04R 25/00; H04R 25/02;  
H04R 1/105; H04R 1/1058  
See application file for complete search history.

The ornamental design for an earpiece attachment portion of a headphone device, as shown and described.

**DESCRIPTION**

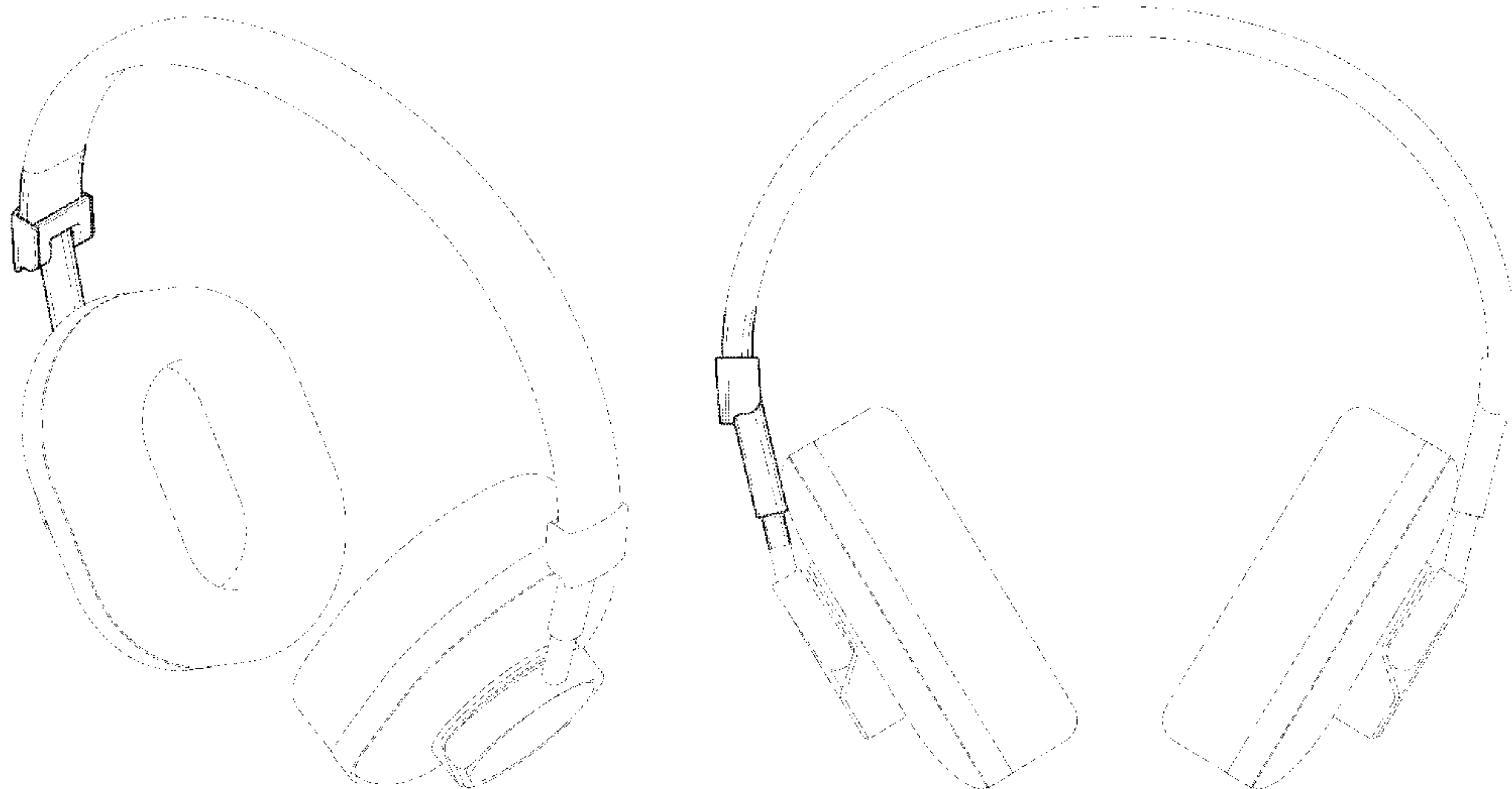
(56) **References Cited**

FIG. 1 is a perspective view of an earpiece attachment portion of a headphone device showing our new design.  
FIG. 2 is a front elevational view thereof.  
FIG. 3 is a back elevational view thereof.  
FIG. 4 is a first side elevational view thereof.  
FIG. 5 is a second side elevational view thereof.  
FIG. 6 is a top plan view thereof; and,  
FIG. 7 is a bottom plan view thereof.  
The broken lines depict environment that forms no part of the claimed design.

U.S. PATENT DOCUMENTS

1,127,161 A \* 2/1915 Baldwin ..... H04R 5/0335  
381/379  
1,289,826 A \* 12/1918 Lawton ..... H04R 5/0335  
381/379

**1 Claim, 5 Drawing Sheets**



(56)

References Cited

U.S. PATENT DOCUMENTS

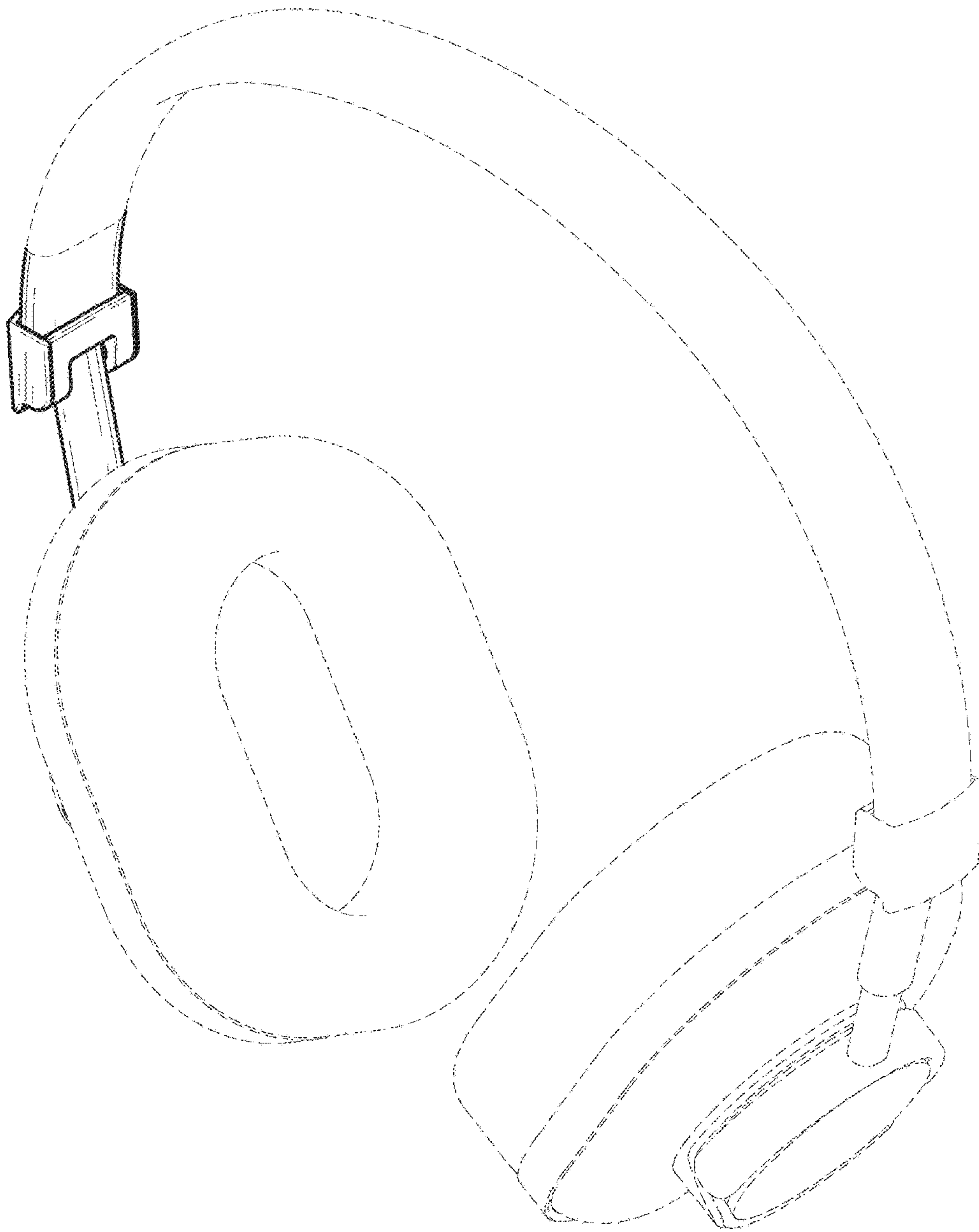
2,413,345 A \* 12/1946 Gilman ..... H04R 1/1066  
381/379  
2,486,267 A \* 10/1949 Dulinsky ..... H04R 5/0335  
381/377  
2,510,344 A 6/1950 Law  
3,922,725 A 12/1975 Csiki  
4,472,607 A \* 9/1984 Houg ..... H04M 1/05  
181/18  
4,829,571 A \* 5/1989 Kakiuchi ..... H04R 1/1033  
381/309  
5,035,005 A 7/1991 Hung  
5,293,647 A \* 3/1994 Mirmilshteyn ..... H04R 1/10  
2/209  
5,438,626 A 8/1995 Neuman  
5,457,751 A \* 10/1995 Such ..... H04M 1/05  
348/115  
5,729,615 A \* 3/1998 Yang ..... H04R 1/1066  
181/129  
5,862,241 A \* 1/1999 Nelson ..... H04R 1/105  
381/374  
D410,466 S 6/1999 Mouri et al.  
D424,150 S \* 5/2000 Post ..... D21/771  
D431,550 S \* 10/2000 Yoneda ..... D14/205  
6,427,018 B1 \* 7/2002 Keliiliki ..... H04R 1/1066  
381/370  
6,654,966 B2 \* 12/2003 Rolla ..... H04R 1/1066  
2/209  
D512,708 S \* 12/2005 Harris, Jr. .... D14/205  
D514,087 S \* 1/2006 Wilson ..... D14/206  
D538,261 S \* 3/2007 Taylor ..... D14/205  
D573,581 S \* 7/2008 Gondo ..... D14/205  
D600,674 S \* 9/2009 Brennwald ..... D14/205  
D633,367 S \* 3/2011 Scherr ..... D8/331  
D633,895 S \* 3/2011 Morimoto ..... D14/205  
8,325,962 B2 12/2012 Ishida  
8,737,668 B1 5/2014 Blair  
8,755,555 B2 \* 6/2014 Dougherty ..... H04R 1/1066  
381/370

D727,280 S \* 4/2015 Levine ..... D14/205  
D727,281 S \* 4/2015 Levine ..... D14/205  
D736,174 S \* 8/2015 Levine ..... D14/205  
D736,175 S \* 8/2015 Levine ..... D14/205  
D736,185 S \* 8/2015 Yaegashi ..... D14/223  
D741,842 S \* 10/2015 Levine ..... D14/226  
D762,190 S \* 7/2016 Levine ..... D14/205  
D762,191 S 7/2016 Levine  
D772,841 S 11/2016 Levine  
D780,155 S 2/2017 Levine et al.  
D781,265 S \* 3/2017 Levine ..... D14/205  
D781,814 S 3/2017 Levine  
9,729,954 B2 8/2017 Levine et al.  
D805,056 S \* 12/2017 Levine ..... D14/205  
D810,055 S 2/2018 Levine  
D812,588 S 3/2018 Levine  
2008/0056525 A1 3/2008 Fujiwara et al.  
2010/0177907 A1 7/2010 Morisawa  
2012/0070028 A1 3/2012 Margulies  
2017/0041697 A1 \* 2/2017 Levine ..... H04R 1/1033  
2017/0134845 A1 5/2017 Milam et al.  
2017/0339479 A1 11/2017 Levine  
2018/0020277 A1 1/2018 Briggs  
2018/0020278 A1 1/2018 Levine et al.

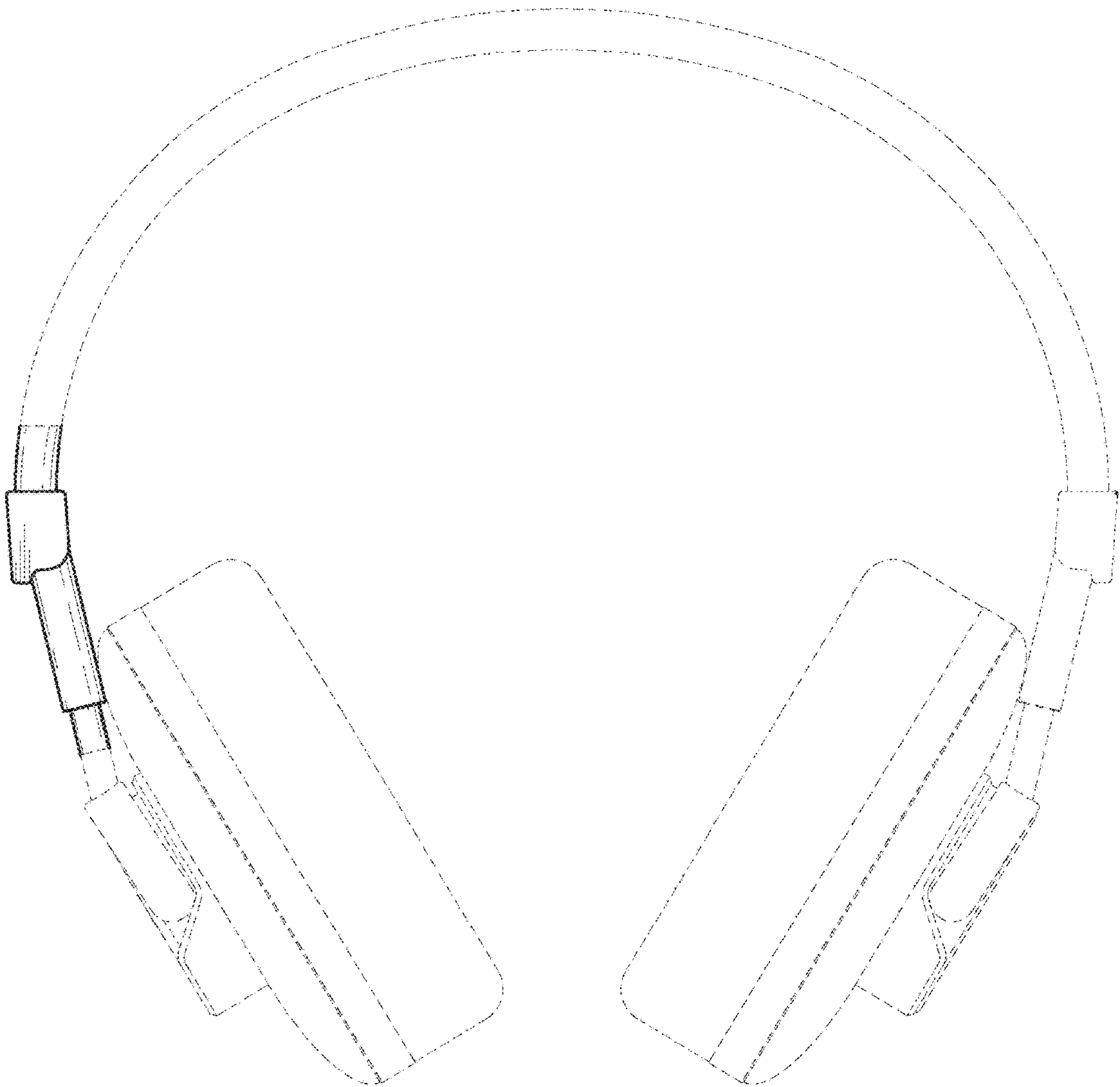
OTHER PUBLICATIONS

U.S. Appl. No. 29/594,131, filed Feb. 15, 2017, Levine, Jonathan E. et al.  
U.S. Appl. No. 29/599,322, filed Mar. 31, 2017, Levine, Jonathan E. et al.  
U.S. Appl. No. 29/599,994, filed Apr. 7, 2017, Levine, Jonathan E. et al.  
U.S. Appl. No. 29/628,837, filed Dec. 7, 2017, Levine, Jonathan E.  
U.S. Appl. No. 29/632,542, filed Jan. 8, 2018, Drew Stone Briggs et al.  
U.S. Appl. No. 29/636,718, filed Feb. 9, 2018, Levine, Jonathan E.  
U.S. Appl. No. 29/596,857, filed Mar. 10, 2017, Levine, Jonathan E. et al.  
U.S. Appl. No. 29/636,714, filed Feb. 9, 2018, Levine, Jonathan E.

\* cited by examiner

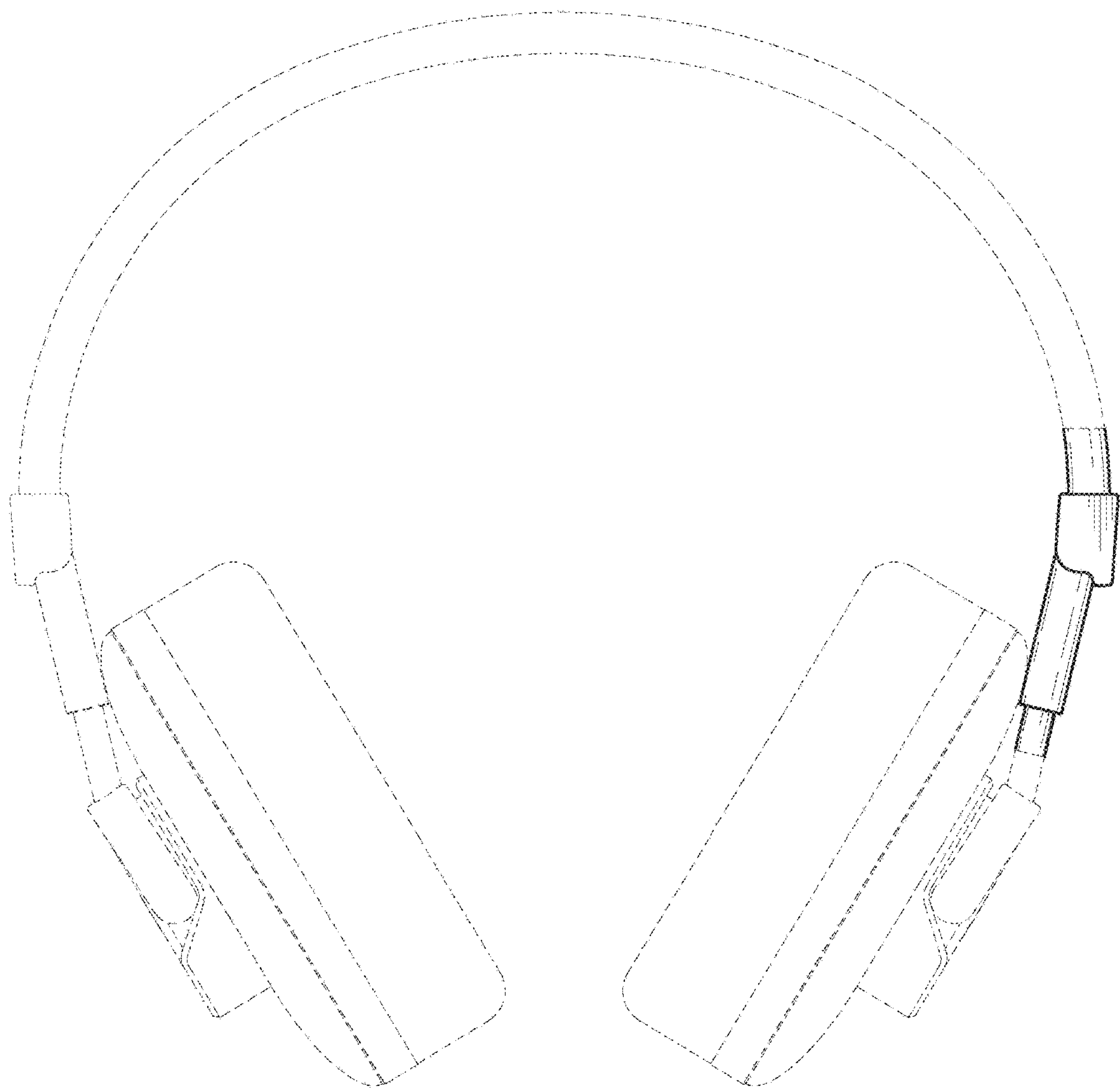


*Fig. 1*

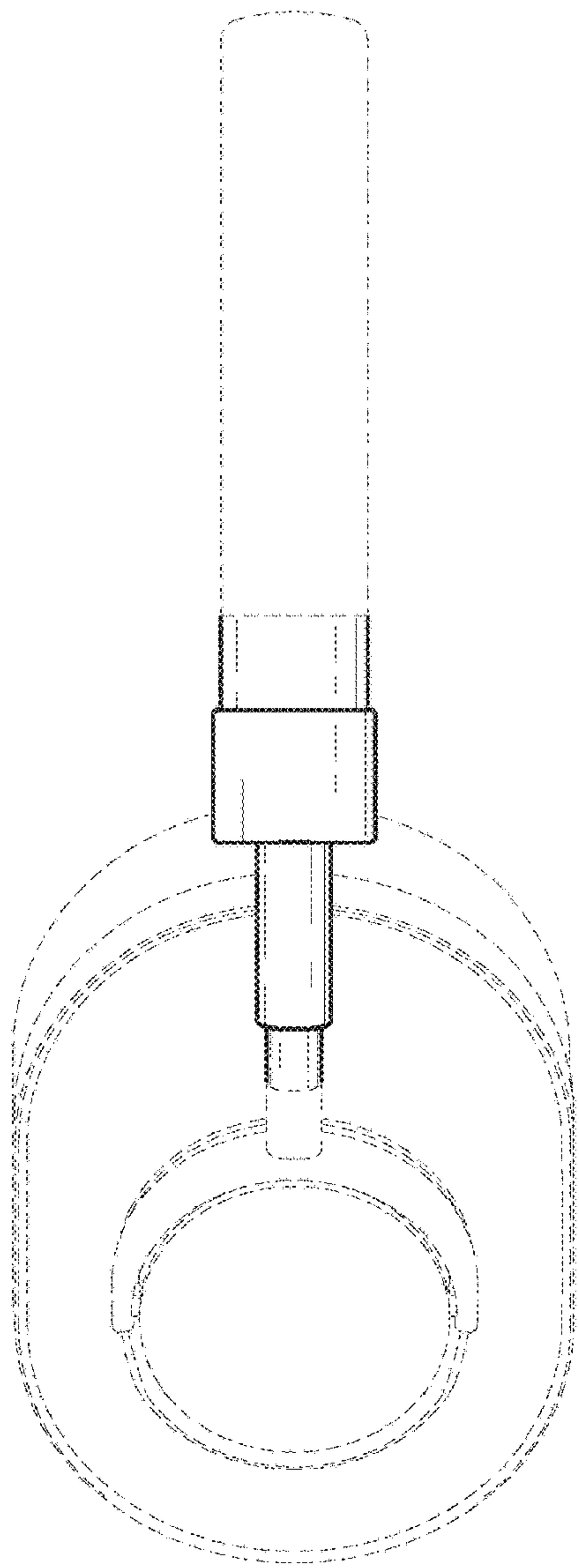


*Fig. 2*

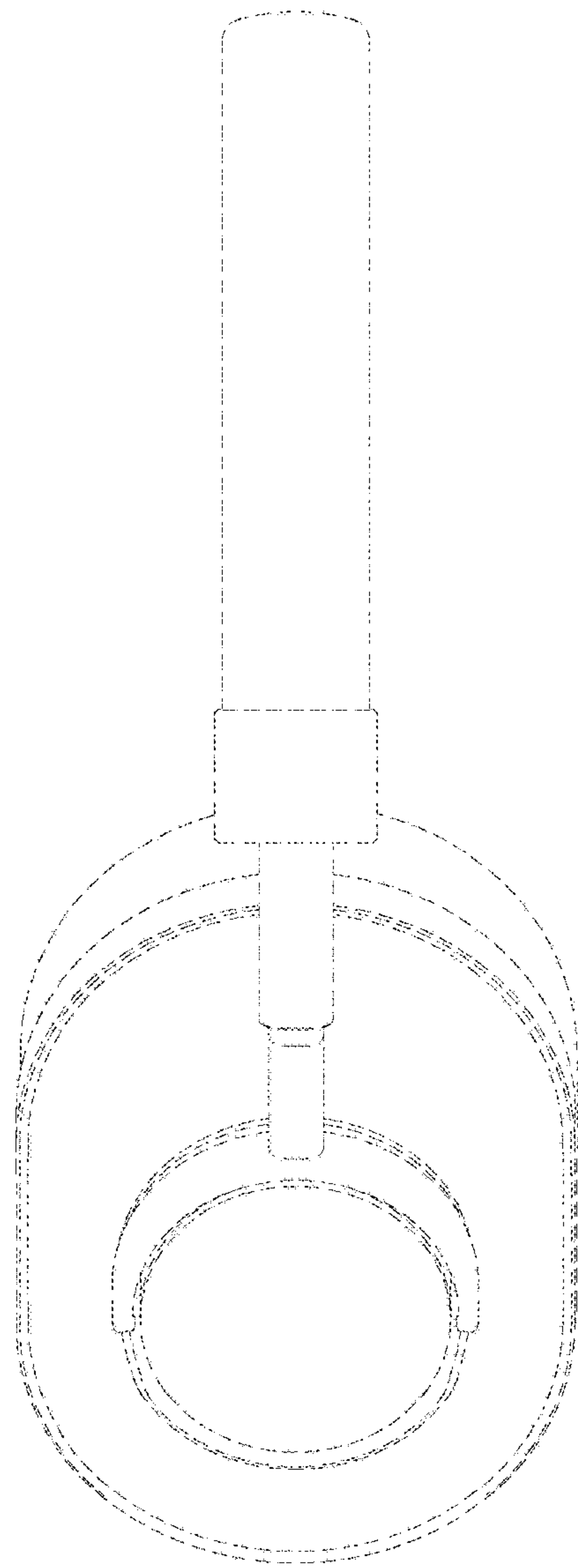




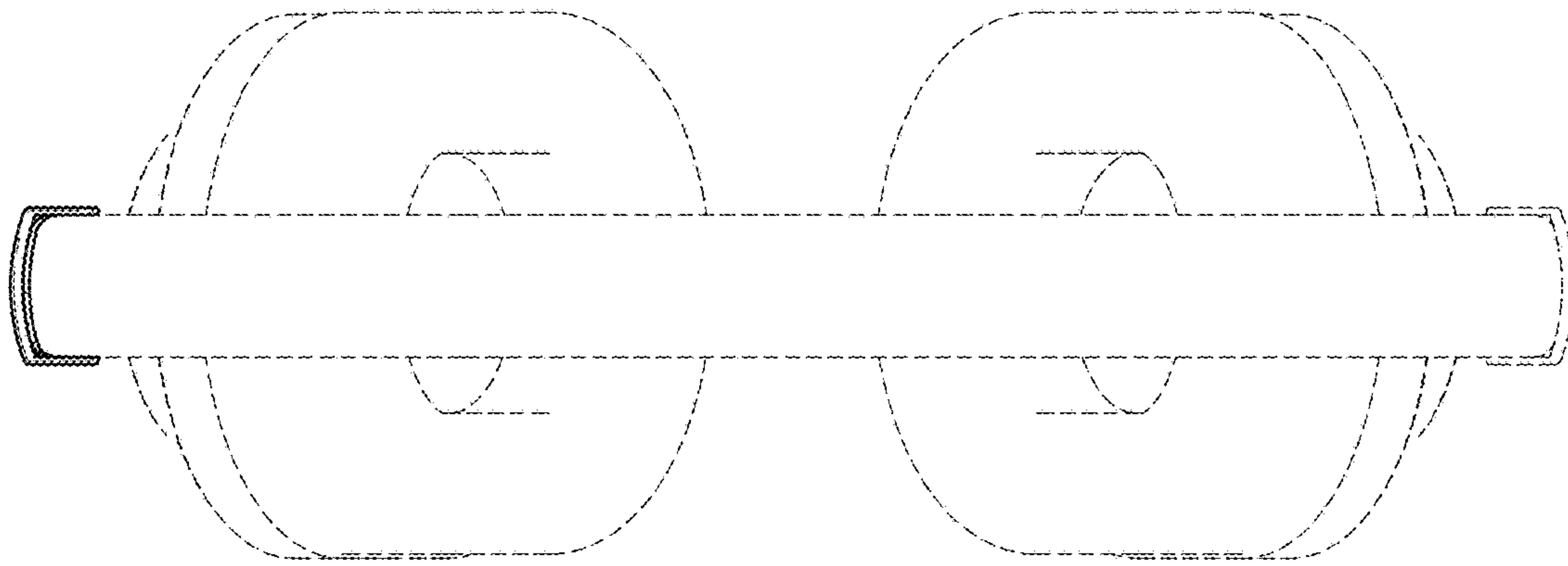
*Fig. 3*



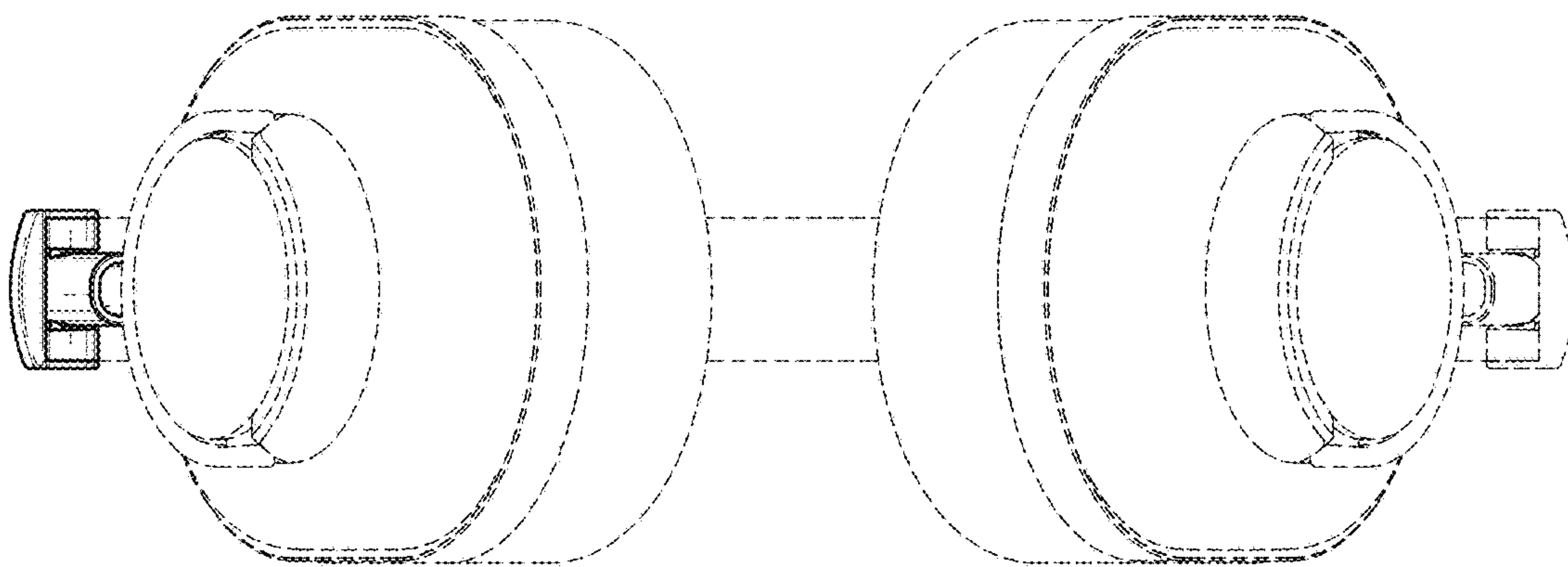
*Fig. 4*



*Fig. 5*



*Fig. 6*



*Fig. 7*