

US00D832801S

(12) **United States Design Patent**  
**Dorn et al.**

(10) **Patent No.:** **US D832,801 S**  
(45) **Date of Patent:** **\*\* Nov. 6, 2018**

- (54) **SWITCH**
- (71) Applicant: **Raffel Systems, LLC**, Germantown, WI (US)
- (72) Inventors: **Douglas A. Dorn**, Brookfield, WI (US);  
**Paul Li**, Milwaukee, WI (US)
- (73) Assignee: **Raffel Systems, LLC**, Germantown, WI (US)
- (\*\*) Term: **15 Years**
- (21) Appl. No.: **29/565,043**
- (22) Filed: **May 17, 2016**
- (51) **LOC (11) Cl.** ..... **13-03**
- (52) **U.S. Cl.**  
USPC ..... **D13/174**
- (58) **Field of Classification Search**  
USPC ..... D13/162, 164, 171, 173, 174  
CPC ..... H01H 3/02; H01H 3/022; H01H 3/12;  
H01H 3/122; H01H 9/02; H01H 9/0235;  
H01H 13/023; H01H 13/04; H01H 13/06;  
H01H 13/063; H01H 13/10; H01H 13/12;  
H01H 13/14; H01H 13/36; H01H 13/70;  
H01H 13/86; H01H 21/24; H01H 25/065;  
A47C 1/0345; A47C 1/035; A47C 7/506  
See application file for complete search history.

- (56) **References Cited**  
U.S. PATENT DOCUMENTS  
D305,018 S 12/1989 Pena et al.  
D305,019 S 12/1989 Pena et al.  
5,362,932 A 11/1994 Inagaki et al.  
6,800,819 B2 10/2004 Sato et al.  
6,841,748 B2 1/2005 Serizawa et al.  
7,087,847 B2 8/2006 Parkinson et al.  
D534,870 S \* 1/2007 Metschen ..... D13/162  
D571,308 S \* 6/2008 Gastelum ..... D13/168

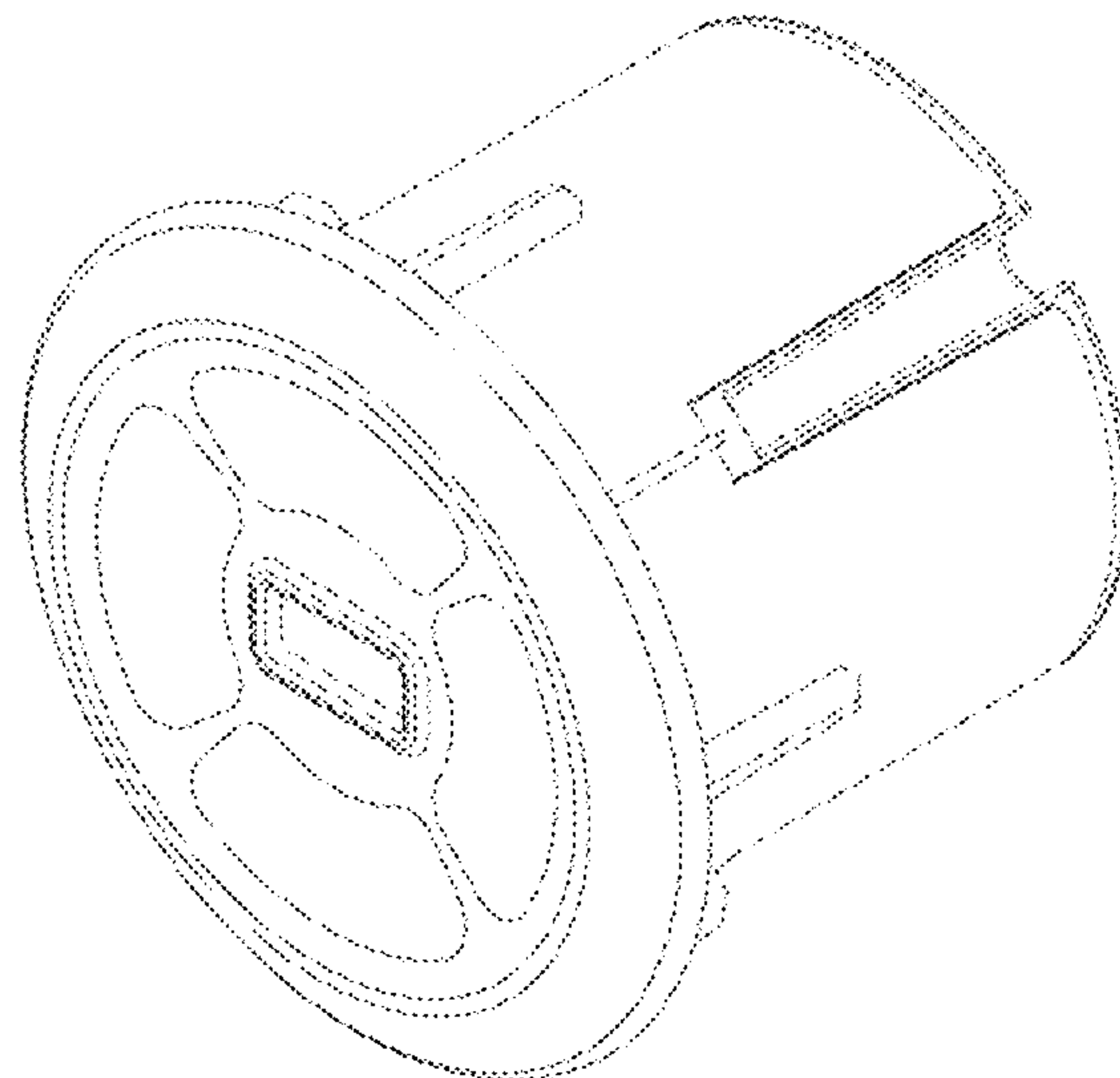
- D607,852 S \* 1/2010 Riede ..... D13/171
  - D689,825 S 9/2013 Wenji et al.
  - 8,766,115 B2 \* 7/2014 Kristen ..... H01H 25/065  
200/5 A
  - 8,884,175 B2 11/2014 Botez et al.
  - D720,305 S \* 12/2014 Wenji ..... D13/174
  - D733,078 S \* 6/2015 Wu ..... D13/171
  - D739,361 S \* 9/2015 Wenji ..... D13/171
  - D740,238 S 10/2015 Dorn et al.
  - D740,763 S 10/2015 Wenji
  - D748,590 S \* 2/2016 Dorn ..... D13/174
  - D758,325 S \* 6/2016 Cook ..... D13/168
  - D758,326 S 6/2016 Dorn et al.
  - D758,975 S \* 6/2016 Hunter ..... D13/162
  - D777,688 S 1/2017 Seidl et al.
  - D782,987 S \* 4/2017 Gassner ..... D13/171
  - D786,805 S 5/2017 Anderson et al.
  - 9,640,343 B2 5/2017 Koch
  - D788,719 S 6/2017 Li et al.
  - 9,804,632 B2 \* 10/2017 Gassner ..... G05G 1/02
- (Continued)

*Primary Examiner* — Selina Sikder  
(74) *Attorney, Agent, or Firm* — Casimir Jones, S.C.;  
Tyler J. Sisk

(57) **CLAIM**  
The ornamental design for a switch, as shown and described.

**DESCRIPTION**  
FIG. 1 is a three-quarter perspective view showing our new design of a switch;  
FIG. 2 is a front elevational view thereof,  
FIG. 3 is a rear elevational view thereof;  
FIG. 4 is a left side elevational view thereof,  
FIG. 5 is a right side elevational view thereof,  
FIG. 6 is a top plan view thereof; and,  
FIG. 7 is a bottom plan view thereof.  
The broken lines shown in FIGS. 1 through 7 are for the purpose of illustrating environment, and form no part of the claimed design.

**1 Claim, 7 Drawing Sheets**



(56)

**References Cited**

U.S. PATENT DOCUMENTS

D817,898 S	5/2018	Seidl et al.	
D821,986 S	7/2018	Seidl et al.	
2011/0198894 A1*	8/2011	Hsieh .....	A47C 1/0242 297/68
2014/0353134 A1*	12/2014	Muller .....	H01H 3/20 200/5 A

\* cited by examiner

FIG. 1

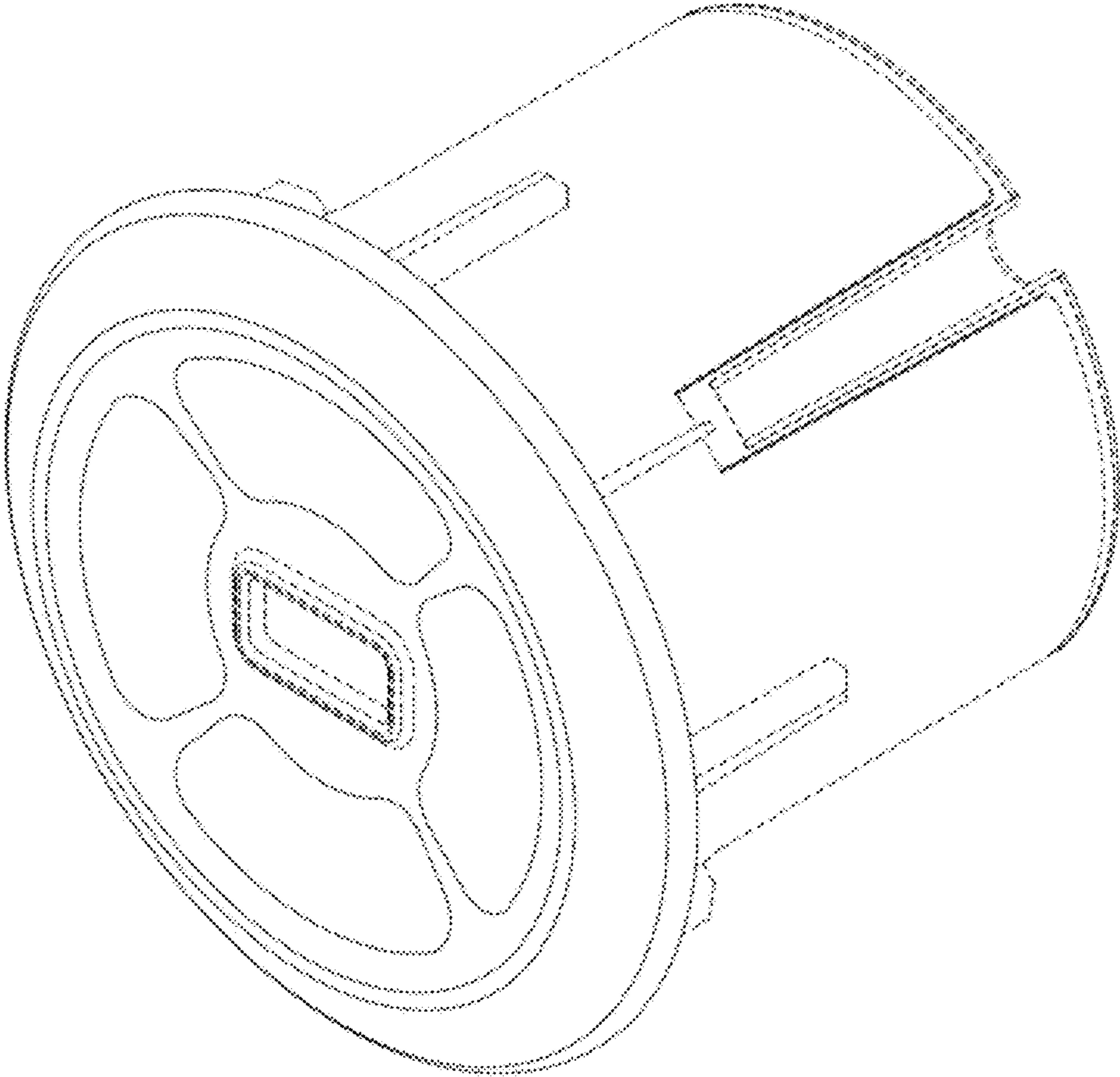


FIG. 2

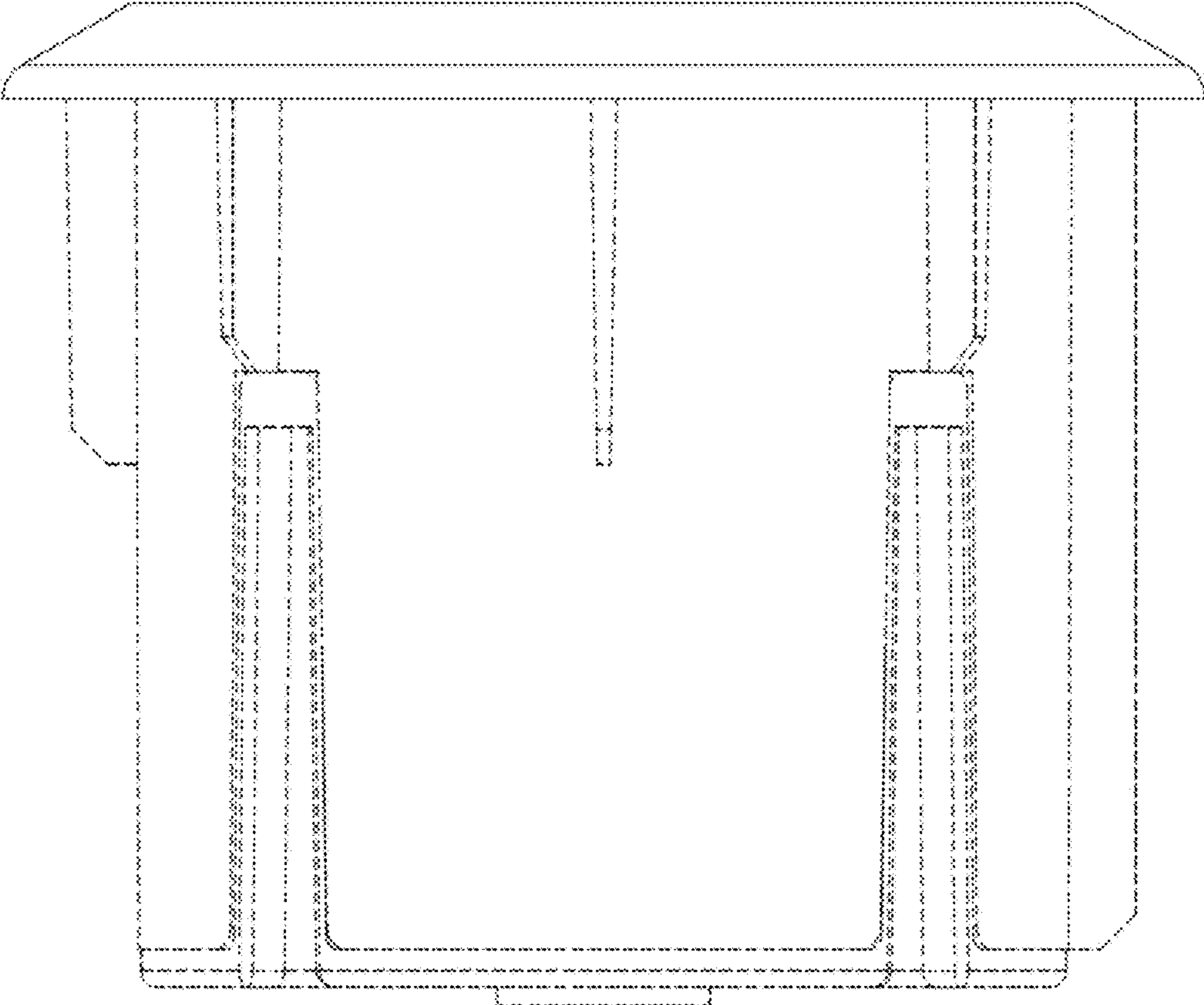


FIG. 3

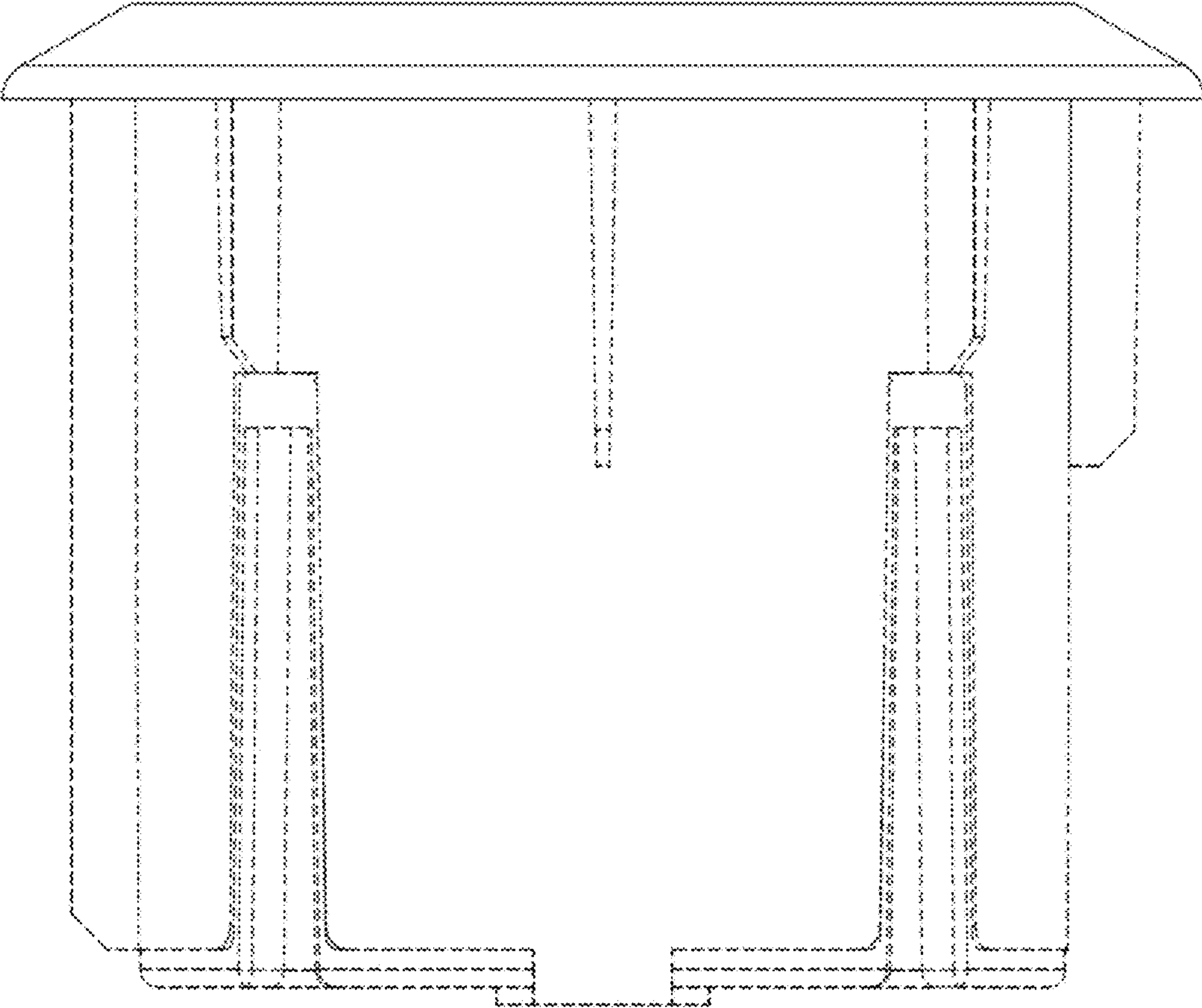




FIG. 4

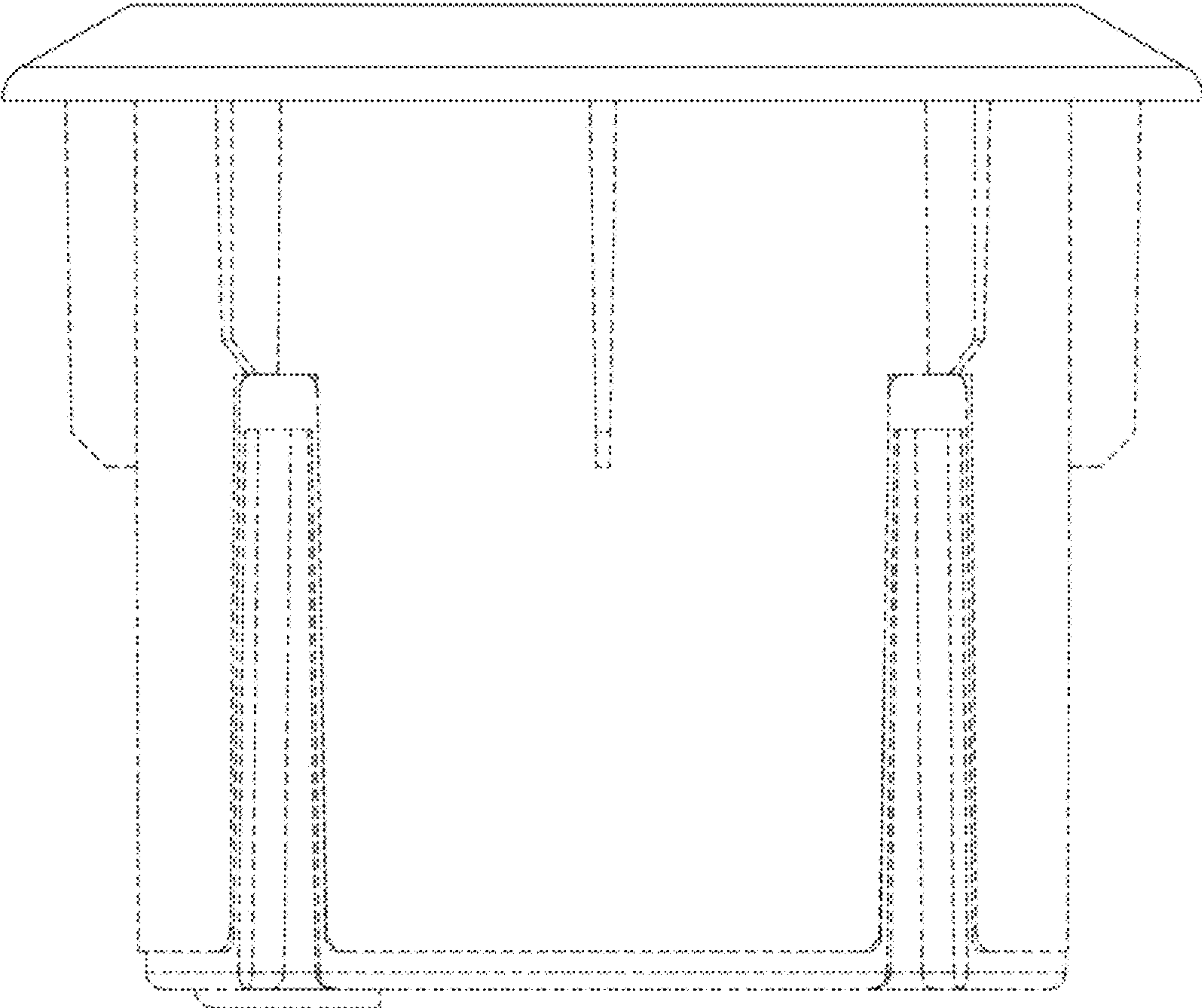


FIG. 5

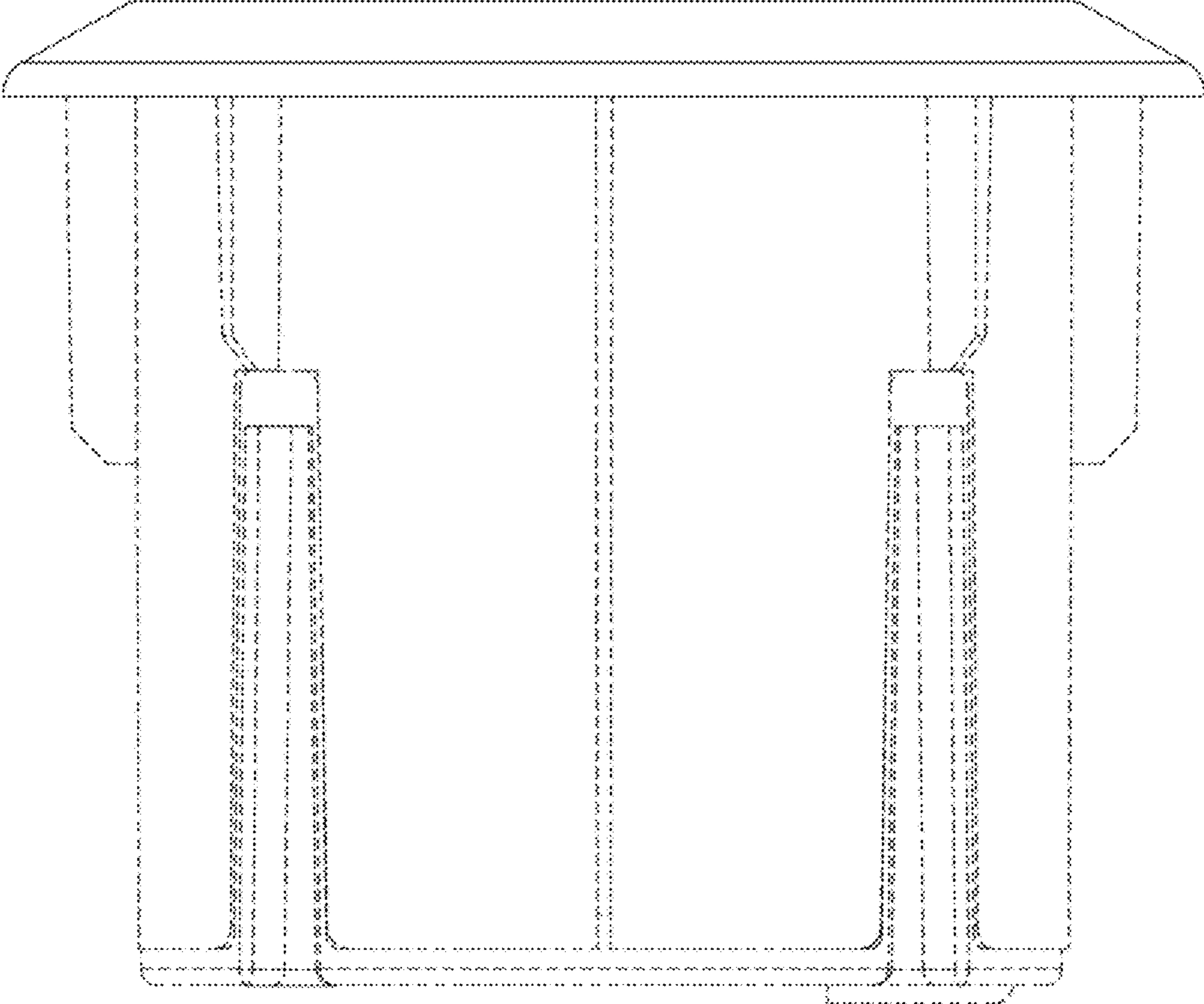


FIG. 6

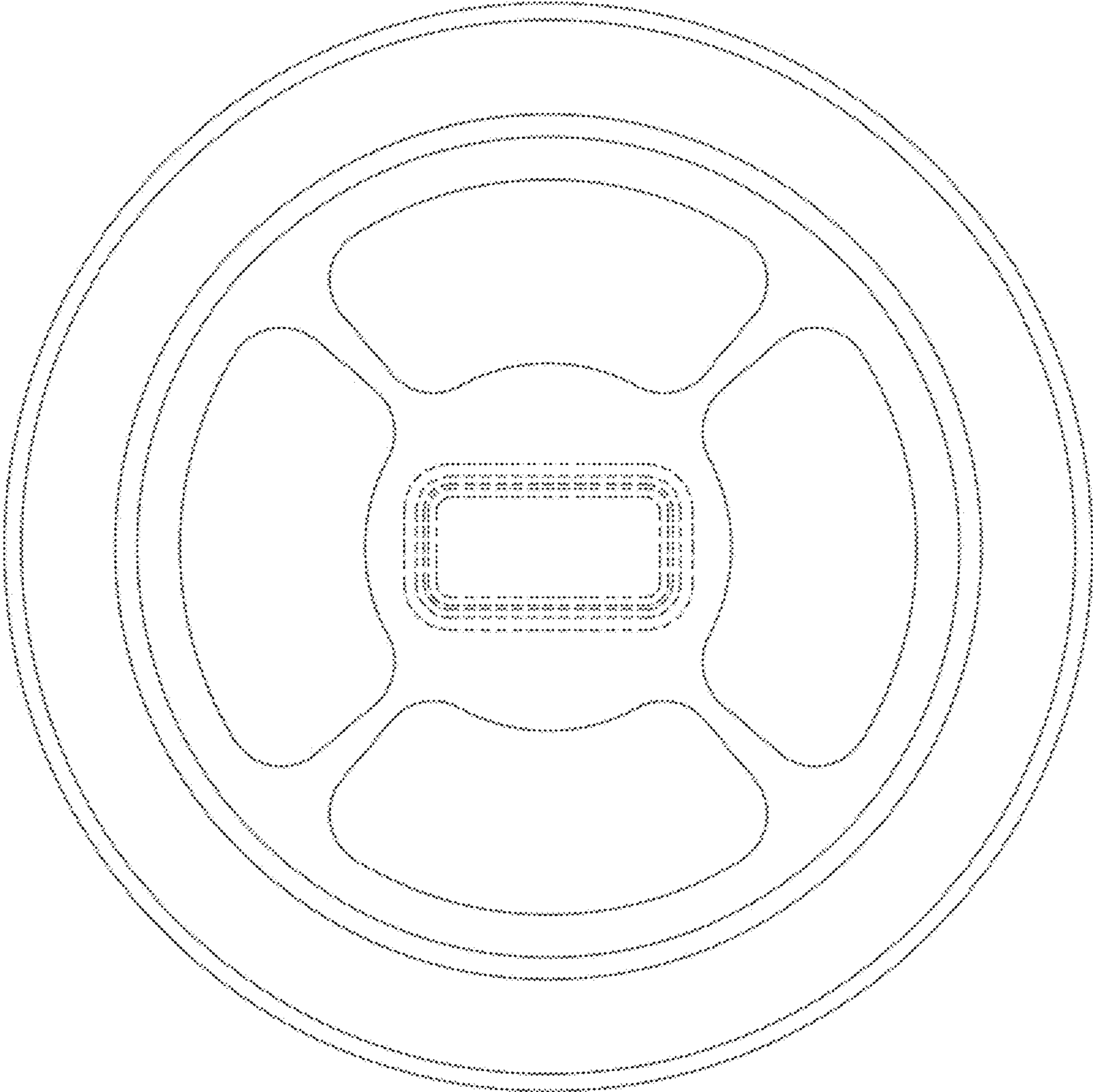




FIG. 7

