



US00D832800S

(12) **United States Design Patent**
Li et al.

(10) **Patent No.:** **US D832,800 S**

(45) **Date of Patent:** **** *Nov. 6, 2018**

(54) **SWITCH**

(71) Applicant: **Raffel Systems, LLC**, Germantown, WI (US)

(72) Inventors: **Paul Li**, Milwaukee, WI (US); **Mitchell P. Rath**, Menomonee Falls, WI (US)

(73) Assignee: **Raffel Systems, LLC**, Germantown, WI (US)

(*) Notice: This patent is subject to a terminal disclaimer.

(**) Term: **15 Years**

(21) Appl. No.: **29/601,618**

(22) Filed: **Apr. 24, 2017**

(51) **LOC (11) Cl.** **13-03**

(52) **U.S. Cl.**
USPC **D13/171**

(58) **Field of Classification Search**
USPC D13/162, 164, 171, 173, 174
CPC H01H 3/02; H01H 3/022; H01H 3/12; H01H 3/122; H01H 9/02; H01H 9/0235; H01H 13/023; H01H 13/04; H01H 13/06; H01H 13/063; H01H 13/10; H01H 13/12; H01H 13/14; H01H 13/36; H01H 13/70; H01H 13/86; H01H 21/24; H01H 25/065; A47C 1/0345; A47C 1/035; A47C 7/506
See application file for complete search history.

(56) **References Cited**

U.S. PATENT DOCUMENTS

D689,825 S * 9/2013 Wenji D13/162
8,884,175 B2 * 11/2014 Botez H01H 21/18
200/341

D740,763 S * 10/2015 Wenji D13/162
D758,326 S * 6/2016 Dorn D13/174
D777,688 S * 1/2017 Seidl D13/171
D786,805 S * 5/2017 Anderson D13/174
9,640,343 B2 * 5/2017 Koch H01H 9/0207
D788,719 S * 6/2017 Li D13/171
9,804,632 B2 * 10/2017 Gassner G05G 1/02
2011/0198894 A1 * 8/2011 Hsieh A47C 1/0242
297/68
2014/0353134 A1 * 12/2014 Muller H01H 3/20
200/5 A

* cited by examiner

Primary Examiner — Selina Sikder

(74) *Attorney, Agent, or Firm* — Casimir Jones S.C.;
Tyler J. Sisk

(57) **CLAIM**

The ornamental design for a switch, as shown and described.

DESCRIPTION

FIG. 1 is a three-quarter perspective view showing our new design of a switch;
FIG. 2 is a front elevational view thereof, the rear elevational view being identical;
FIG. 3 is a left side elevational view thereof,
FIG. 4 is a right side elevational view thereof,
FIG. 5 is a top plan view thereof; and,
FIG. 6 is a bottom plan view thereof.
The broken lines shown in FIGS. 1 through 6 are for the purpose of illustrating environment, and form no part of the claimed design.

1 Claim, 6 Drawing Sheets

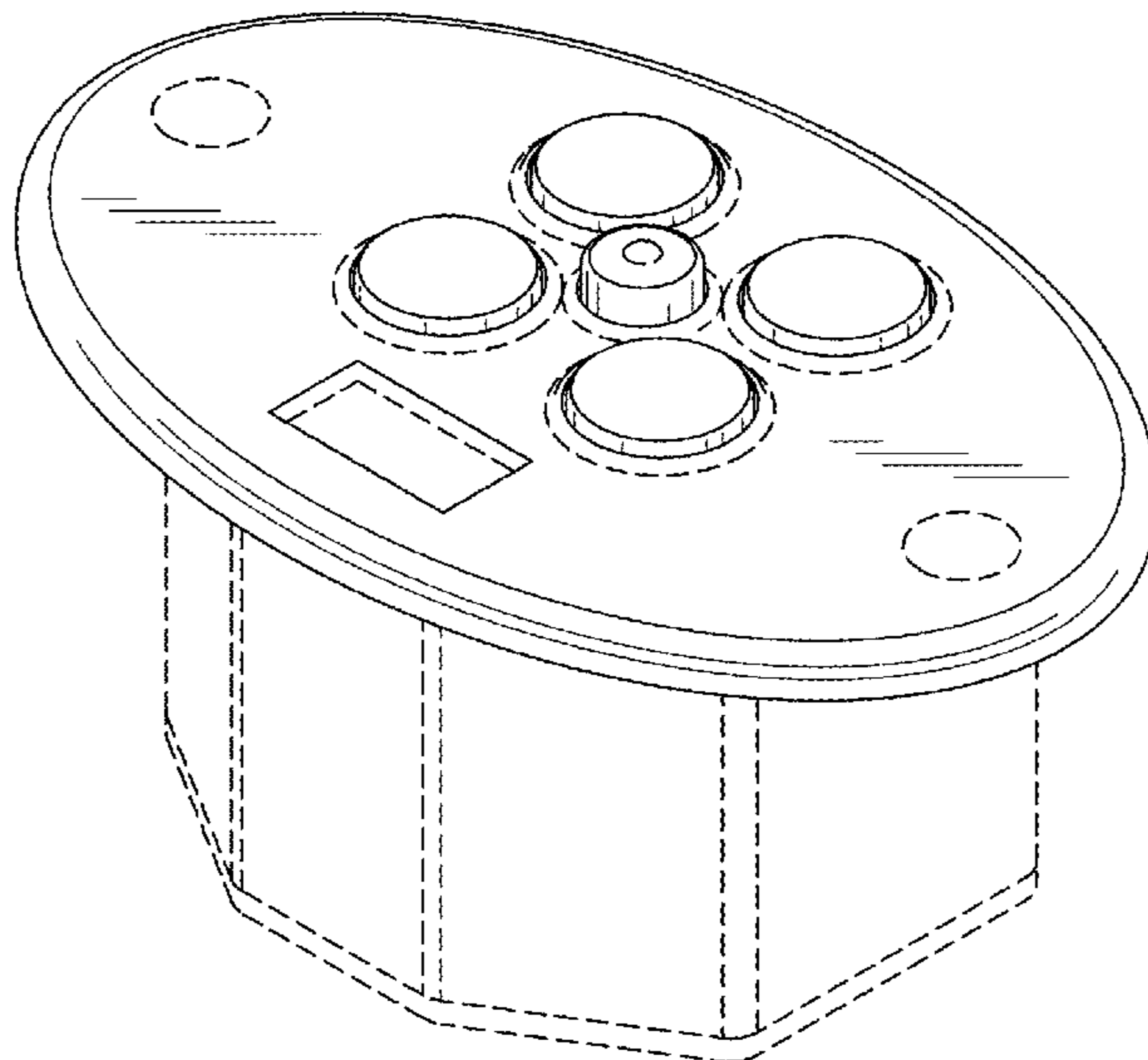


FIG. 1

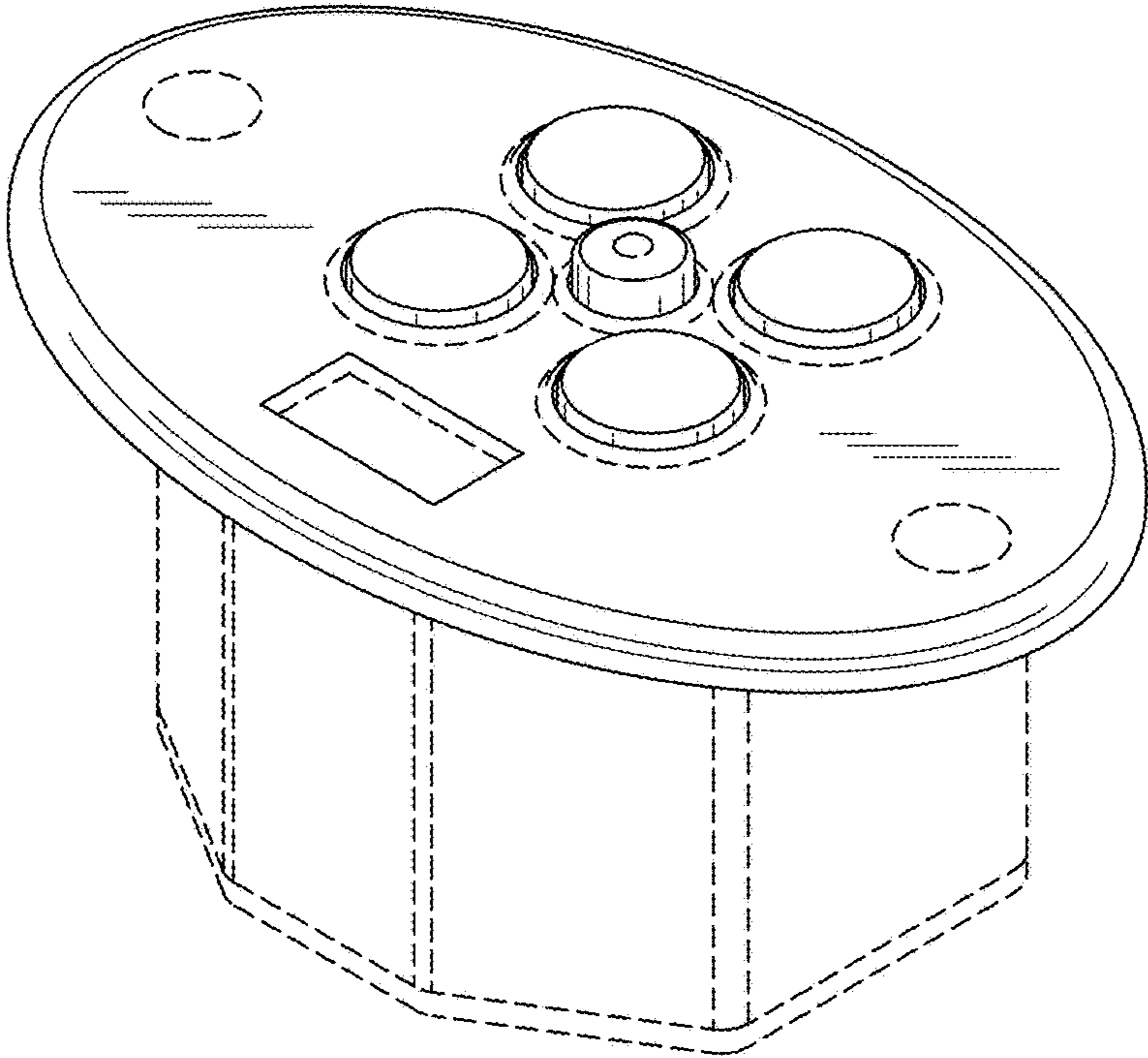


FIG. 2

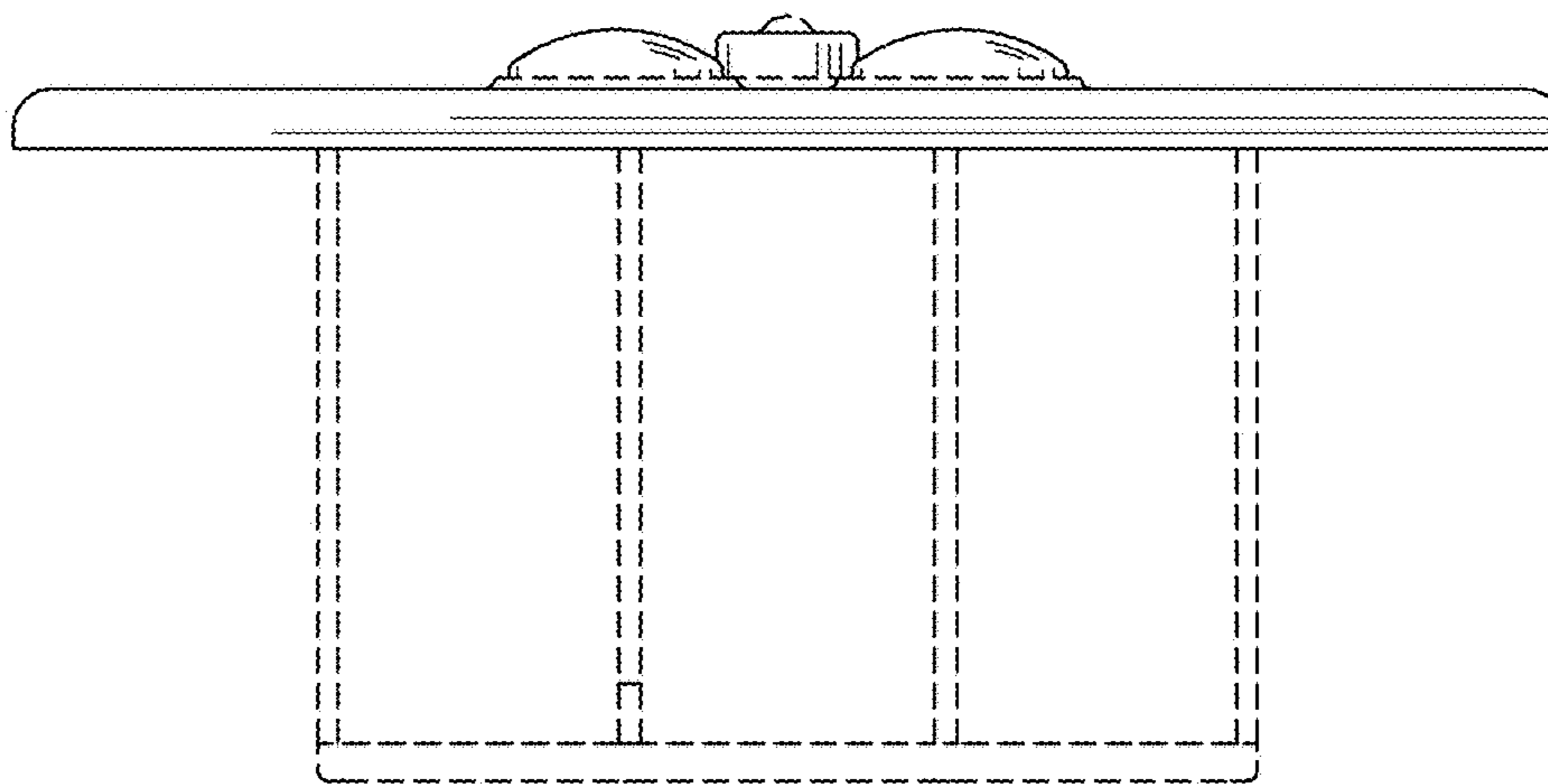


FIG. 3

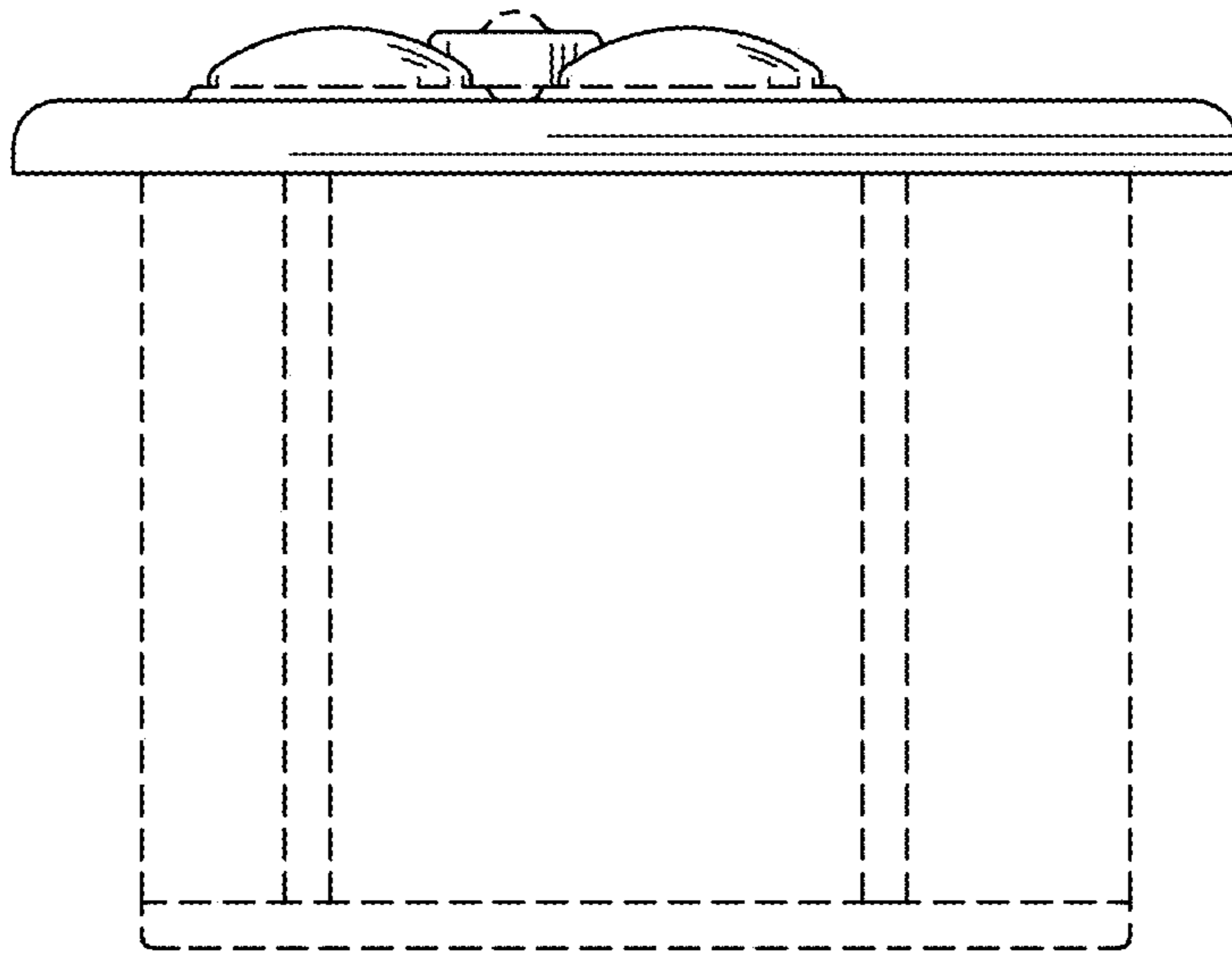


FIG. 4

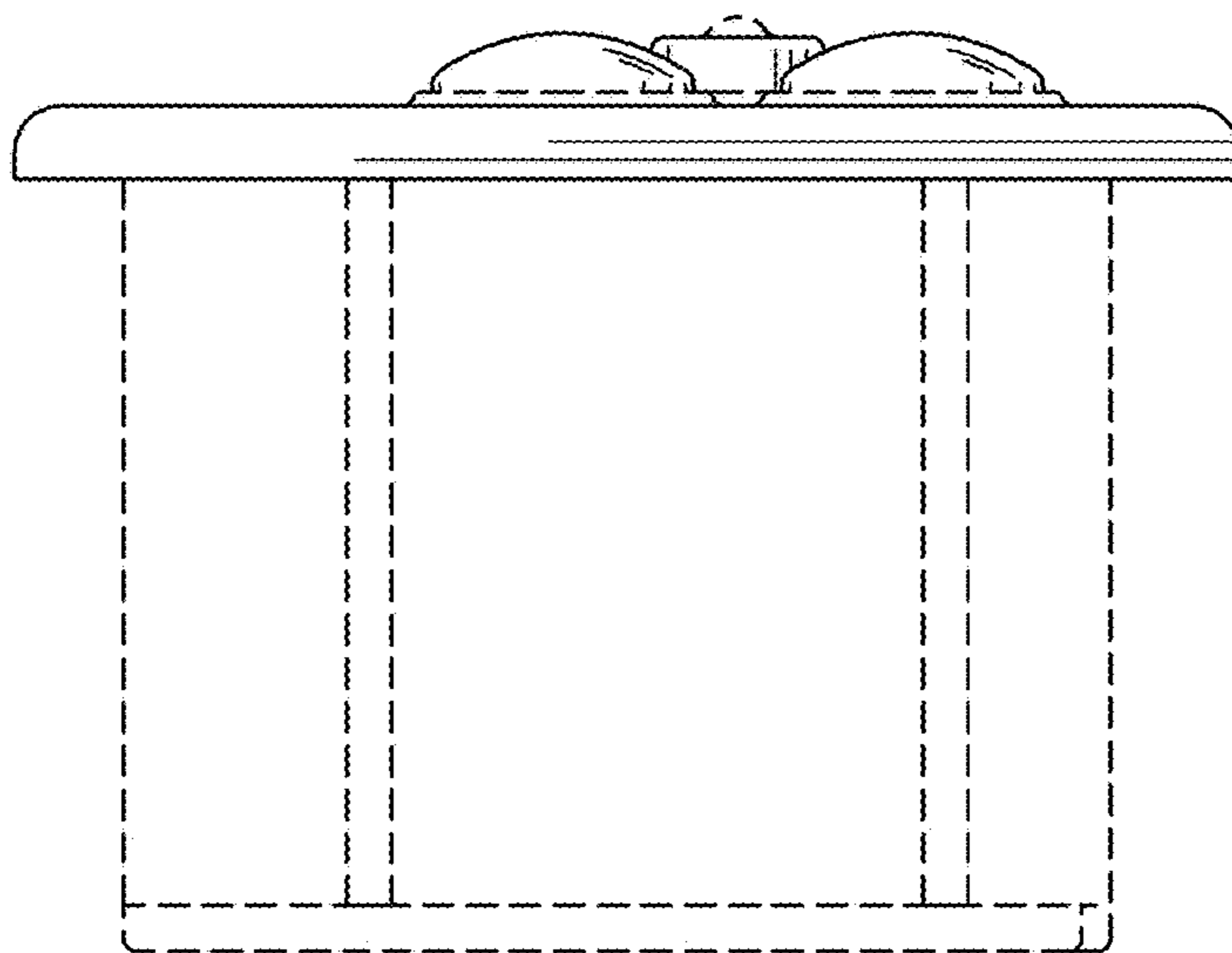


FIG. 5

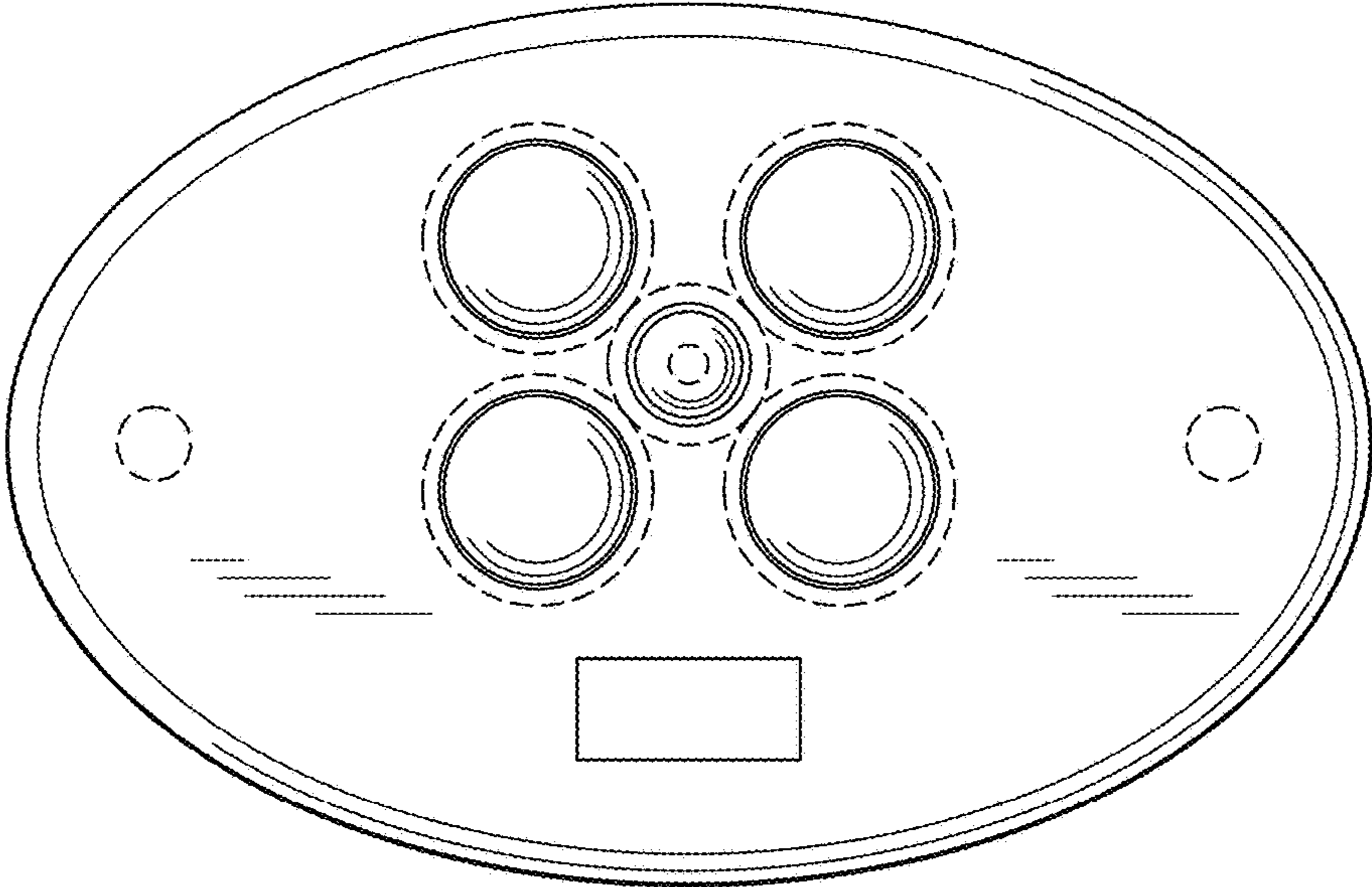


FIG. 6

