



US00D832799S

(12) **United States Design Patent**
Lacey

(10) **Patent No.:** **US D832,799 S**
(45) **Date of Patent:** **** Nov. 6, 2018**

(54) **PADDLE SWITCH WITH EXTERNALLY FACING ELECTRICAL CONNECTOR PORT OR PORTS**

(71) Applicant: **Eaton Intelligent Power Limited**,
Dublin (IE)

(72) Inventor: **Darron Kirby Lacey**, Peachtree City,
GA (US)

(73) Assignee: **Eaton Intelligent Power Limited**,
Dublin (IE)

(**) Term: **15 Years**

(21) Appl. No.: **29/612,447**

(22) Filed: **Aug. 1, 2017**

Related U.S. Application Data

(62) Division of application No. 29/538,176, filed on Sep. 1, 2015, now Pat. No. Des. 797,061.

(51) **LOC (11) Cl.** **13-03**

(52) **U.S. Cl.**
USPC **D13/169**

(58) **Field of Classification Search**
USPC D13/162, 164, 169, 171, 177, 137.3,
D13/139.1, 174

(Continued)

(56) **References Cited**

U.S. PATENT DOCUMENTS

D204,941 S 5/1966 Ramsing et al.
D390,826 S 2/1998 Bates

(Continued)

OTHER PUBLICATIONS

Amazon.com, RCA WP2UWR USB Wall Plate, RCA, product listing for sale, date unknown but prior to filing date of the present application, 1 page.

(Continued)

Primary Examiner — Selina Sikder

(74) *Attorney, Agent, or Firm* — Myers Bigel, P.A.

(57) **CLAIM**

The ornamental design for a paddle switch with externally facing electrical connector port or ports, as shown and described.

DESCRIPTION

FIG. 1 is a front environmental view of a first embodiment of a paddle switch with externally facing electrical connector ports (i.e., USB ports) showing my design;

FIG. 2 is a side perspective view thereof;

FIG. 3 is a front view thereof;

FIG. 4 is a side view thereof;

FIG. 5 is an opposing side view thereof;

FIG. 6 is an end view thereof;

FIG. 7 is an opposing end view thereof;

FIG. 8 is a front environmental view of a second embodiment of a paddle switch with externally facing electrical connector ports (i.e., USB ports) showing my design;

FIG. 9 is a side perspective view thereof;

FIG. 10 is a front view thereof;

FIG. 11 is a side view thereof;

FIG. 12 is an opposing side view thereof;

FIG. 13 is an end view thereof;

FIG. 14 is an opposing end view thereof;

FIG. 15 is a front environmental view of a third embodiment of a paddle switch with externally facing electrical connector ports (i.e., USB ports) showing my design;

FIG. 16 is a side perspective view thereof;

FIG. 17 is a front view thereof;

FIG. 18 is a side view thereof;

FIG. 19 is an opposing side view thereof;

FIG. 20 is an end view thereof;

FIG. 21 is an opposing end view thereof;

FIG. 22 is a front environmental view of a fourth embodiment of a paddle switch with externally facing electrical connector ports (i.e., USB ports) showing my design;

FIG. 23 is a side perspective view thereof;

FIG. 24 is a front view thereof;

FIG. 25 is a side view thereof;

FIG. 26 is an opposing side view thereof;

(Continued)

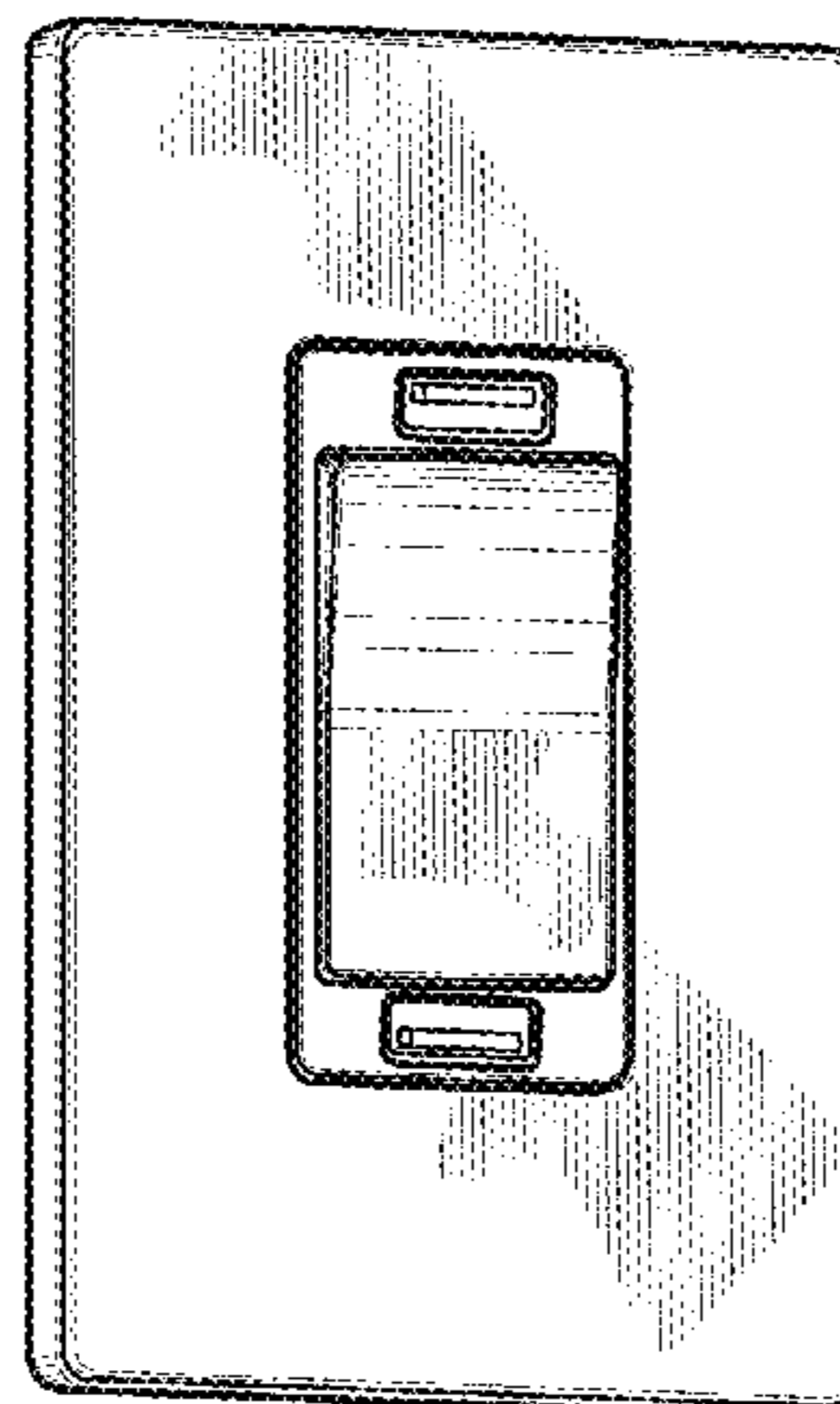
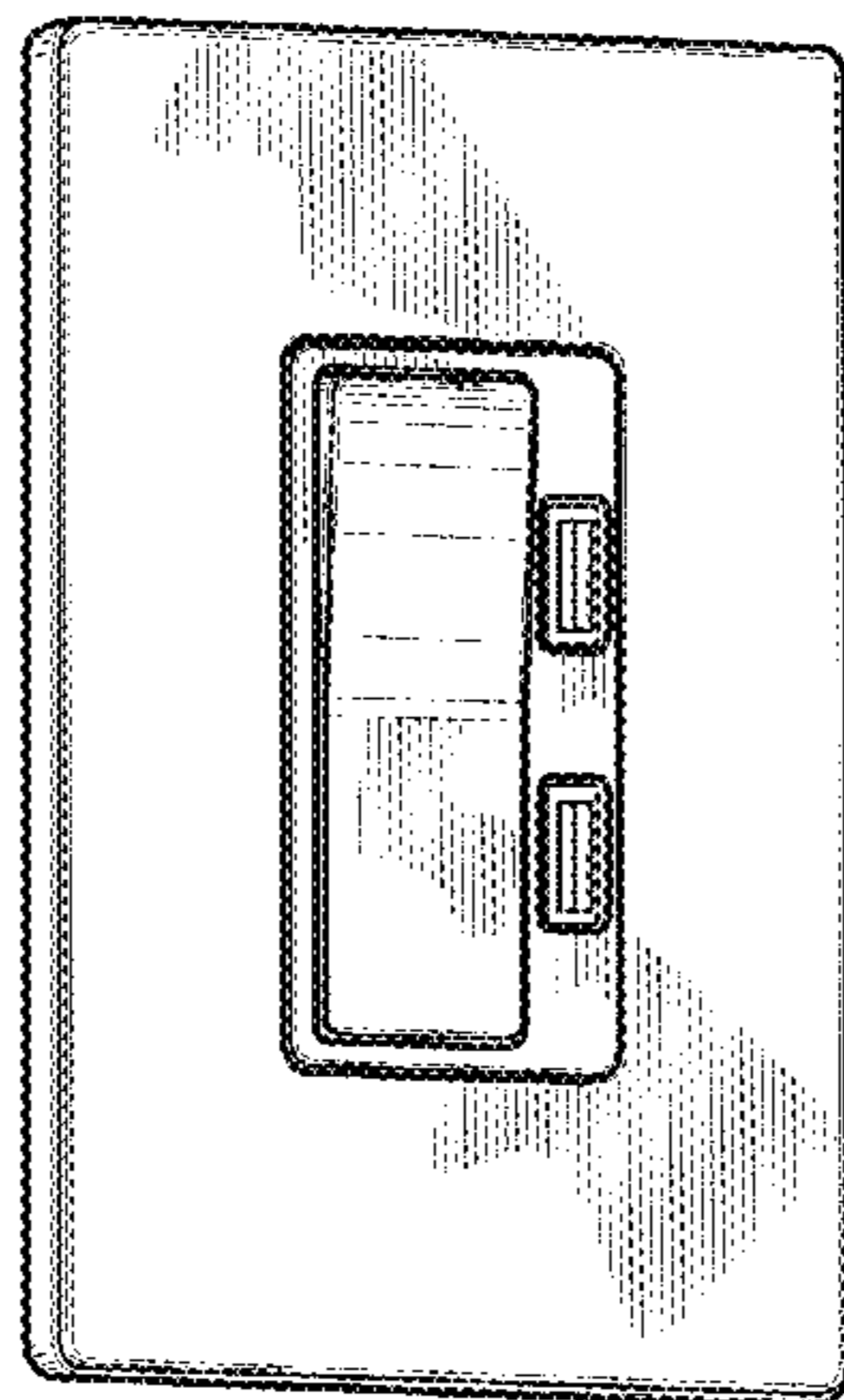


FIG. 27 is an end view thereof;
 FIG. 28 is an opposing end view thereof;
 FIG. 29 is a front environmental view of a fifth embodiment of a paddle switch with an externally facing electrical connector port (i.e., USB port) showing my design;
 FIG. 30 is a side perspective view thereof;
 FIG. 31 is a front view thereof;
 FIG. 32 is a side view thereof;
 FIG. 33 is an opposing side view thereof;
 FIG. 34 is an end view thereof; and,
 FIG. 35 is an opposing end view thereof
 The broken lines shown herein are for illustrative purposes only and form no part of the claimed design.

1 Claim, 15 Drawing Sheets

(58) **Field of Classification Search**

CPC H01H 9/02; H01H 9/0271; H01H 9/16;
 H01H 9/18; H01H 9/161; H01H 9/181;
 H01H 9/182; H01H 13/04; H01H 13/14;
 H01H 13/20; H01H 13/30; H01H 19/635;
 H01H 23/00; H01H 23/02; H01H 23/025;
 H01H 23/04; H01H 23/145; H01H
 23/148; H01H 23/205; H01H 23/30;
 H01H 51/088; H01H 83/02; H01H 83/04;
 H01H 83/144; H05B 33/0803; H05B
 33/0863; H05B 37/02; H05B 37/0254;
 H05B 37/0272; H05B 39/02; H05B
 39/04; H05B 39/085; H05B 39/086;
 H05B 39/088; H01R 13/713; H01R
 13/7135

See application file for complete search history.

(56) **References Cited**

U.S. PATENT DOCUMENTS

5,895,888 A 4/1999 Arenas et al.
 6,005,308 A 12/1999 Bryde et al.

D473,528 S 4/2003 Wengrower
 D534,875 S 1/2007 Wu
 D583,335 S 12/2008 Ni
 D598,859 S 8/2009 Vaccaro et al.
 7,667,155 B1 2/2010 Ni et al.
 D649,122 S 11/2011 Jacoby et al.
 8,459,812 B2 6/2013 Wu et al.
 8,658,893 B1 2/2014 Shotey et al.
 8,853,893 B2 10/2014 Savicki, Jr. et al.
 D719,511 S 12/2014 Dodal et al.
 D732,485 S 6/2015 Junko et al.
 9,083,180 B2 7/2015 Dodal et al.
 D740,766 S 10/2015 Falkenberg et al.
 9,455,543 B2 9/2016 Liao
 D797,061 S * 9/2017 Lacey D13/169
 2006/0065510 A1 3/2006 Kiko et al.
 2008/0017398 A1 1/2008 Alderson et al.
 2012/0068894 A1 3/2012 Feldstein et al.
 2014/0077707 A1 3/2014 Restrepo
 2016/0149354 A1 5/2016 Mortun et al.
 2017/0063008 A1 3/2017 Goyal et al.

OTHER PUBLICATIONS

Arrow/Hart, Self-test GFCI receptacles, Eaton product brochure, date unknown but prior to the filing date of the present application, 2 pages.

Plug with USB port, product example, <http://safe4work.org/plug-with-usb-port>, date unknown but prior to the filing date of the present application, printed from the internet Aug. 21, 2015, 1 page.

Primus Cable, In-Wall Charging Wall Plate, 1x Power Outlet & 2x USB Charging Ports—White, product listing for sale, <http://www.primuscable.com/> . . . , date unknown but prior to the filing date of the present application, printed from the internet Jul. 8, 2015, 4 pages.

Various makers, USB wall charger product examples, date unknown but prior to the filing date of the present application, 1 page.

* cited by examiner

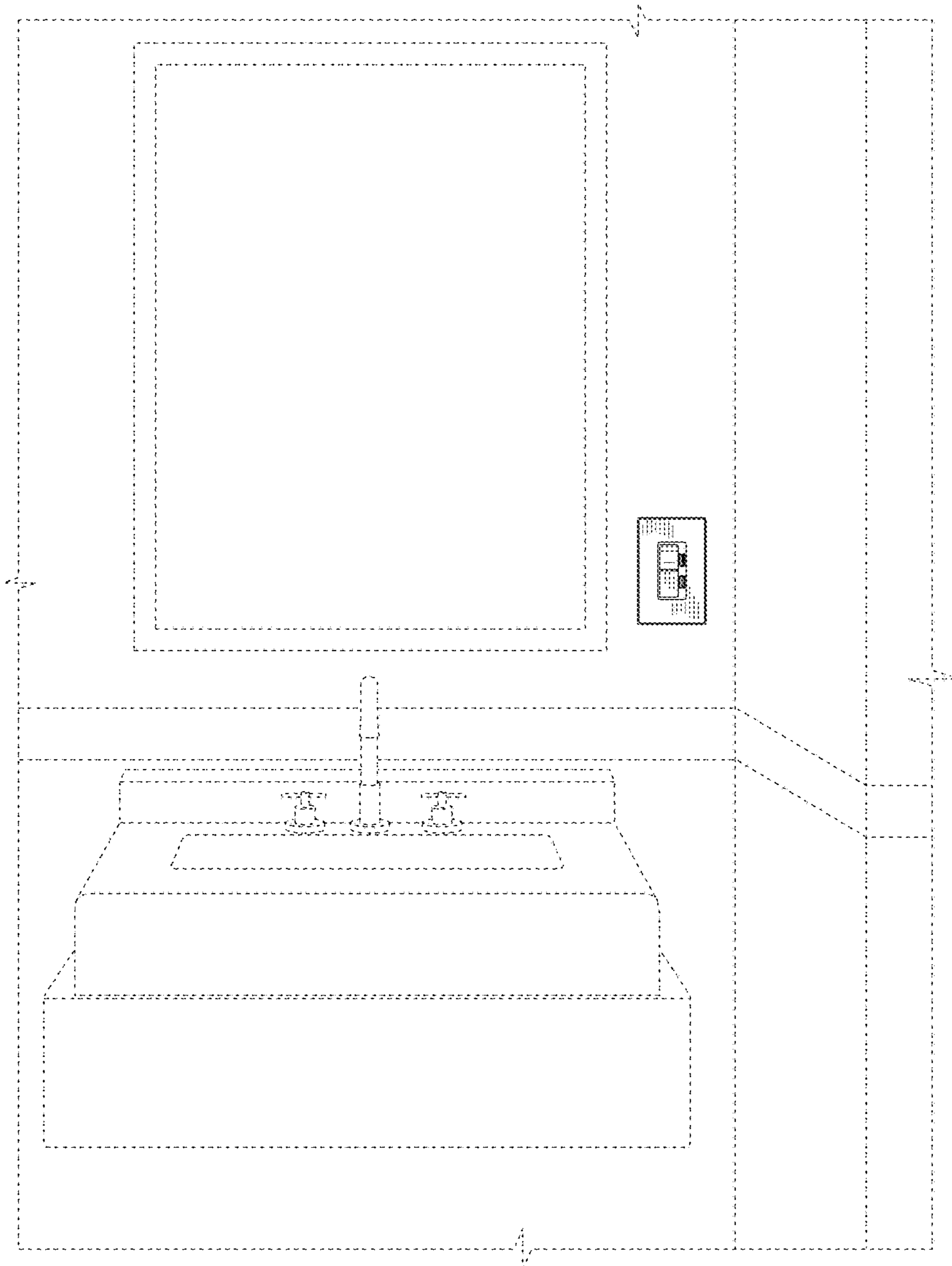


Figure 1

Figure 2

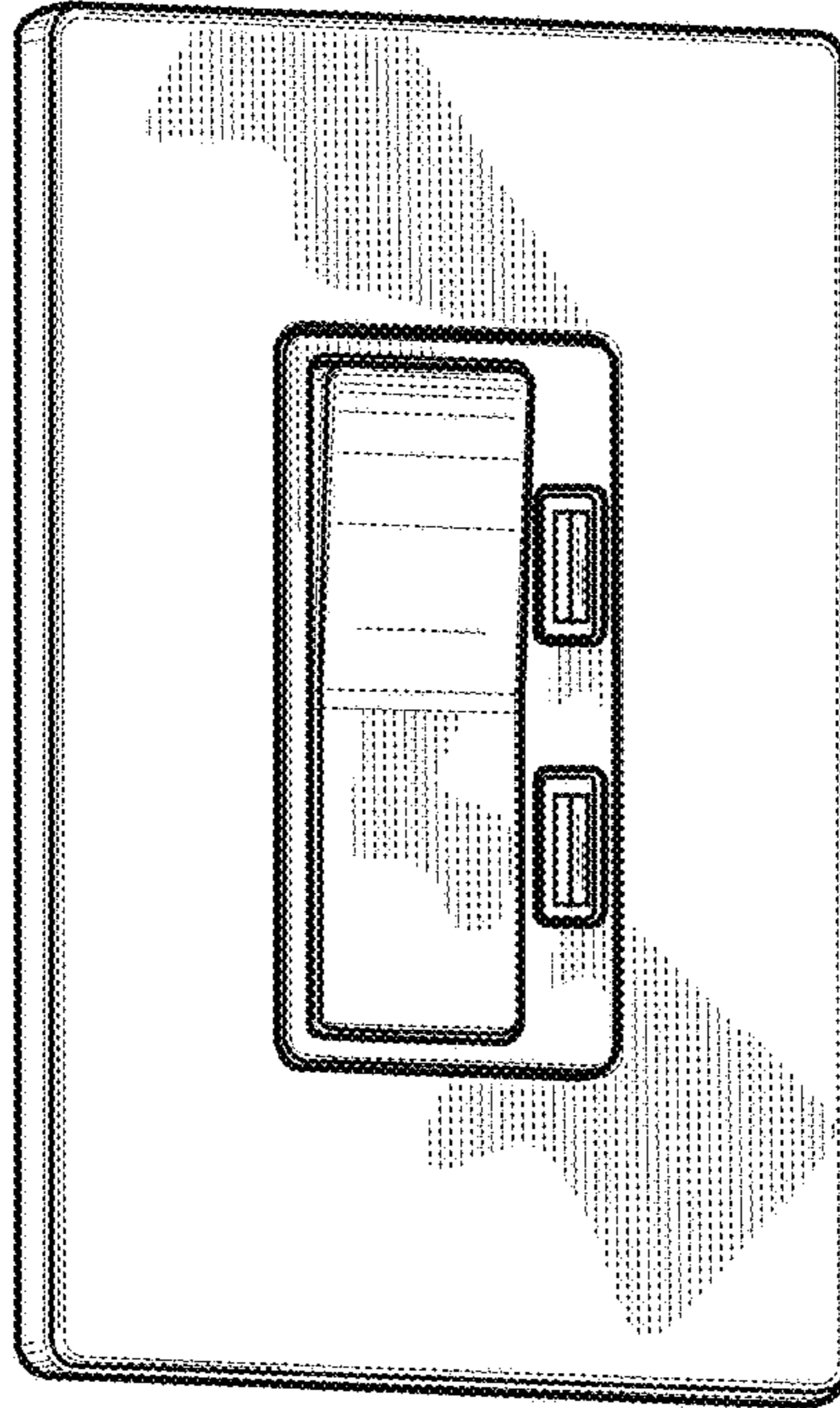
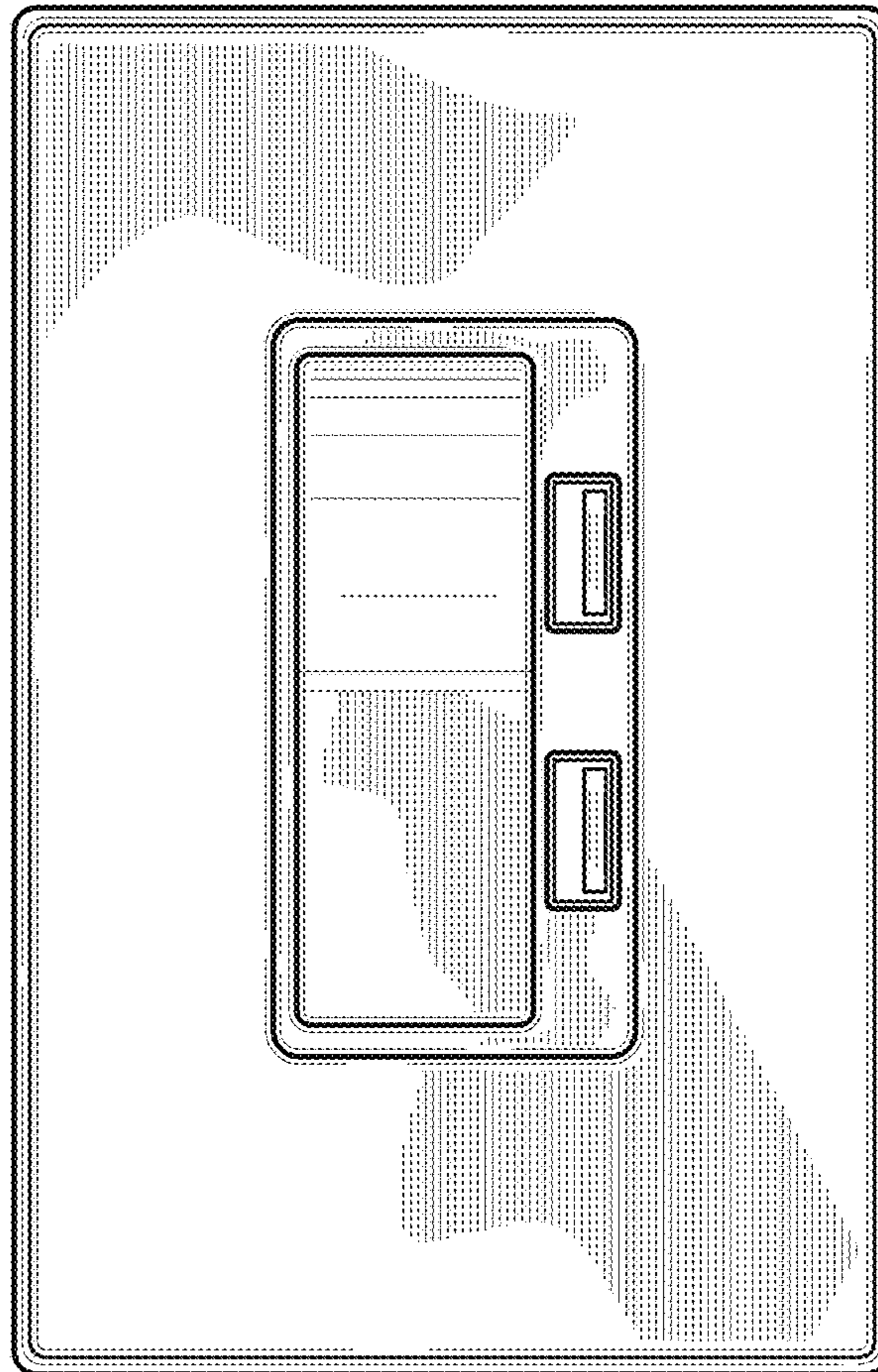


Figure 3



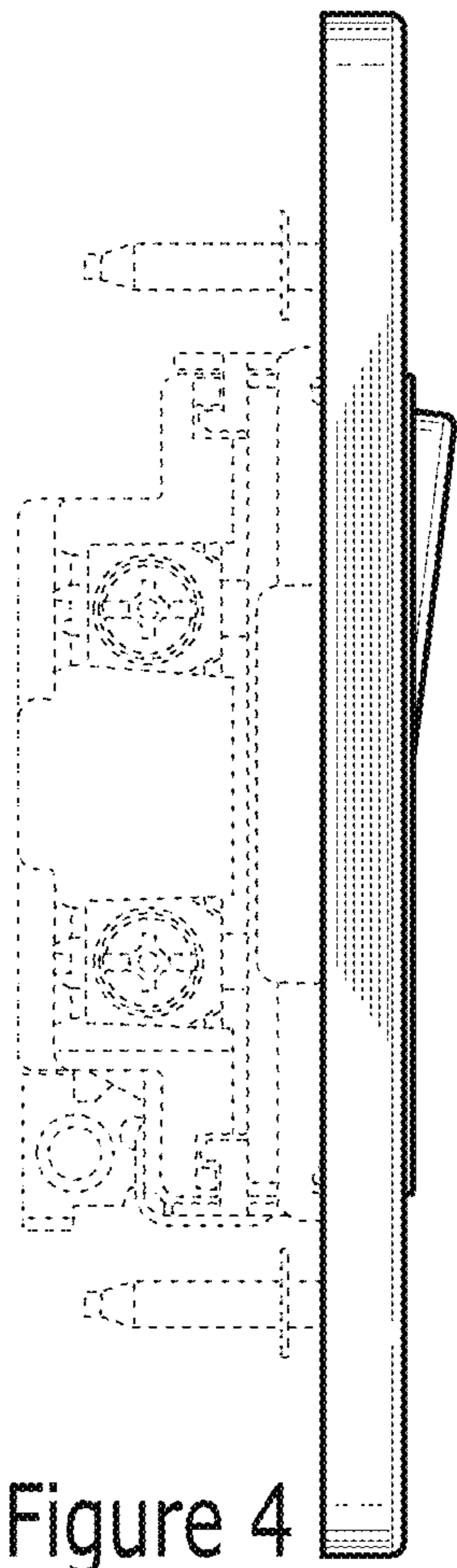


Figure 4

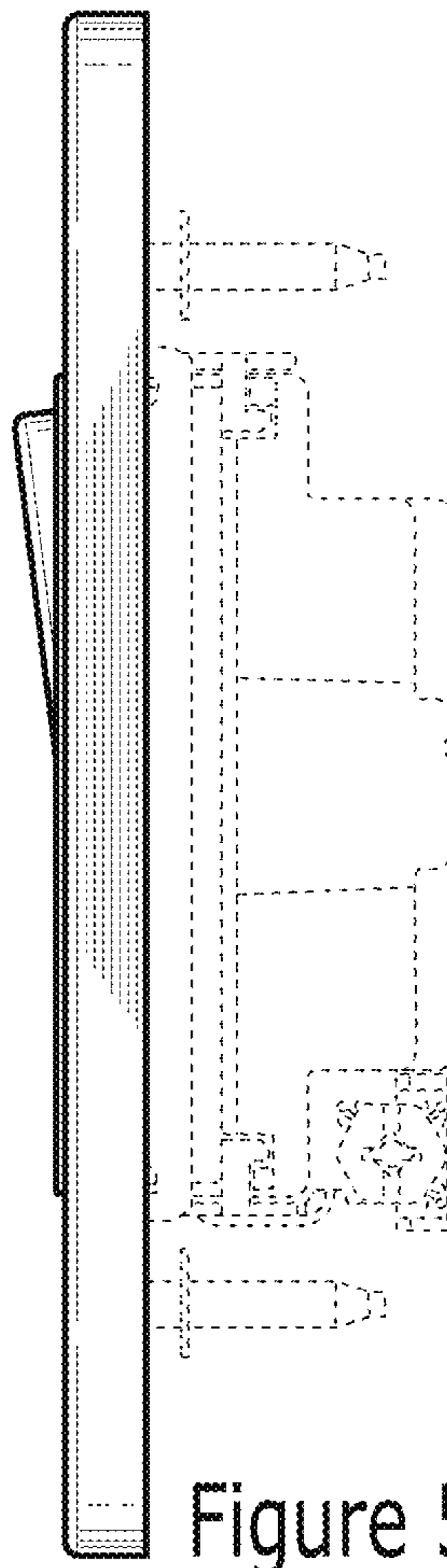


Figure 5

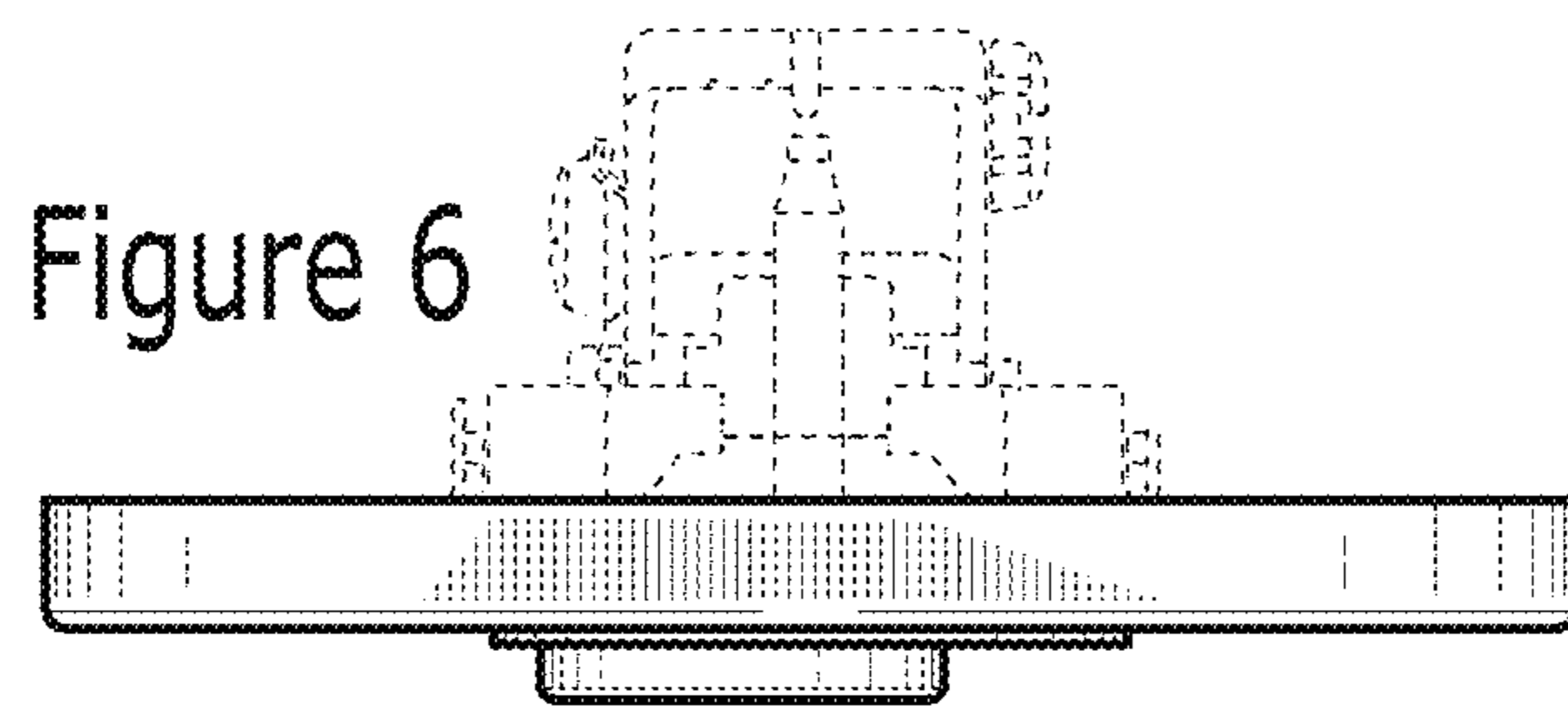


Figure 6

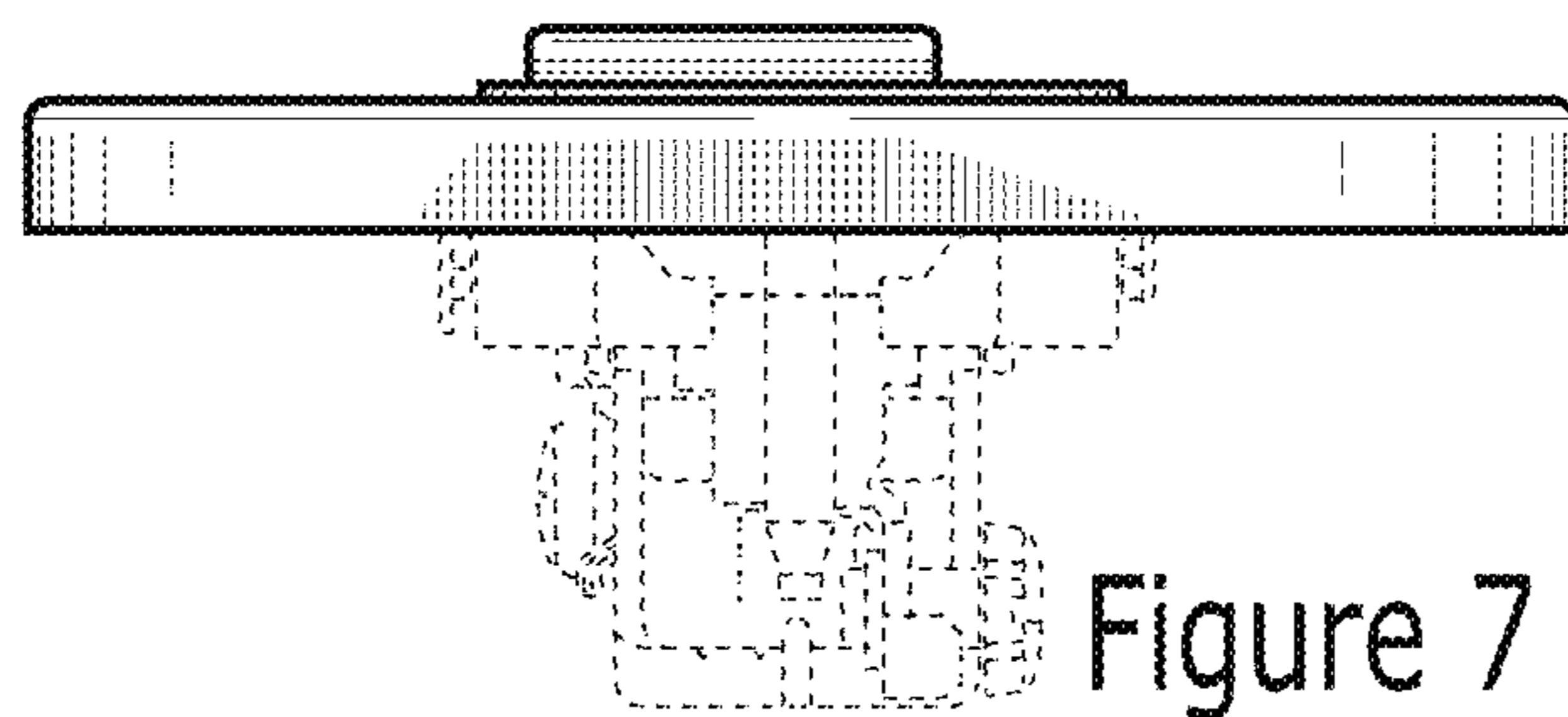


Figure 7

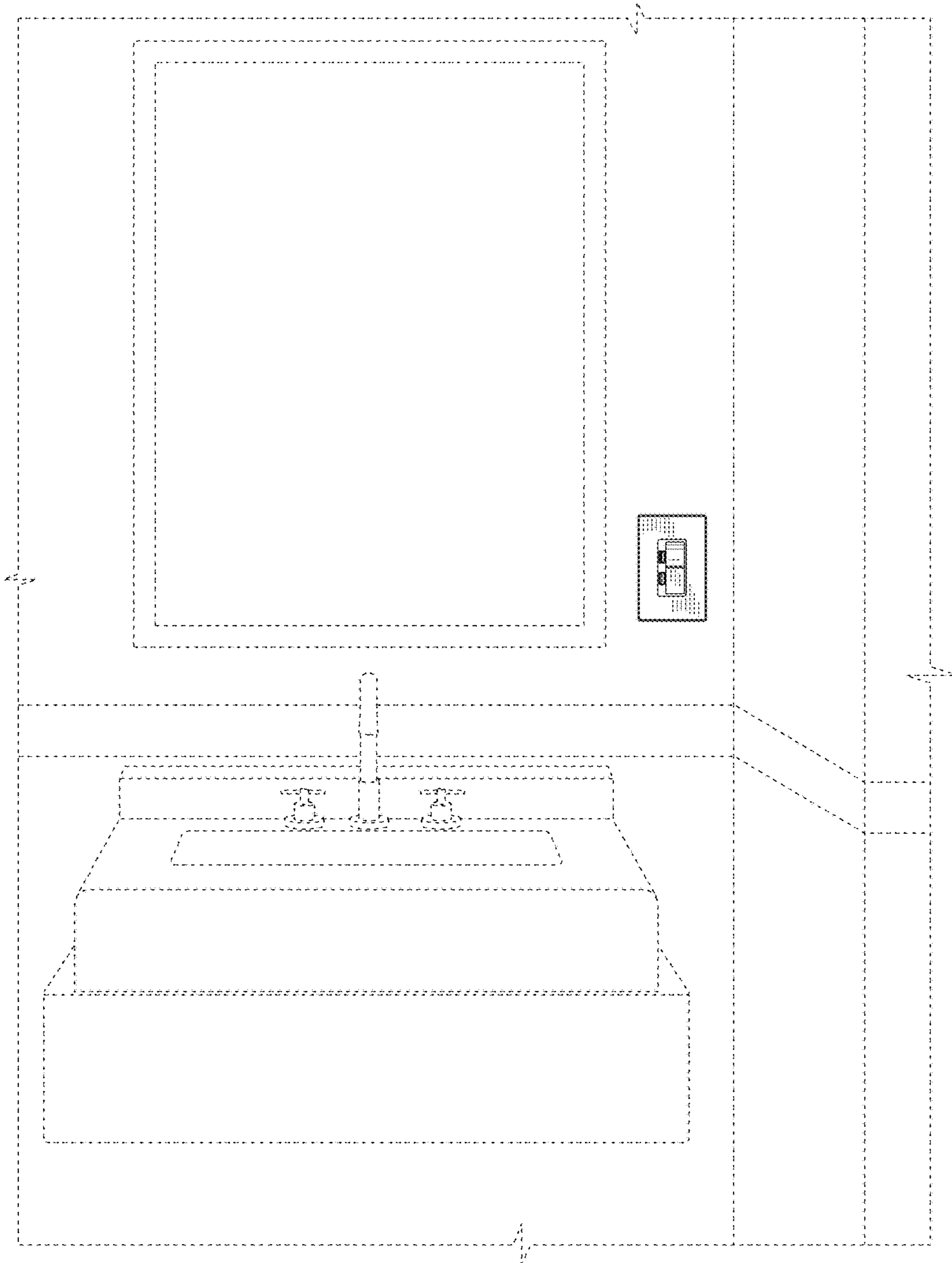


Figure 8

Figure 9

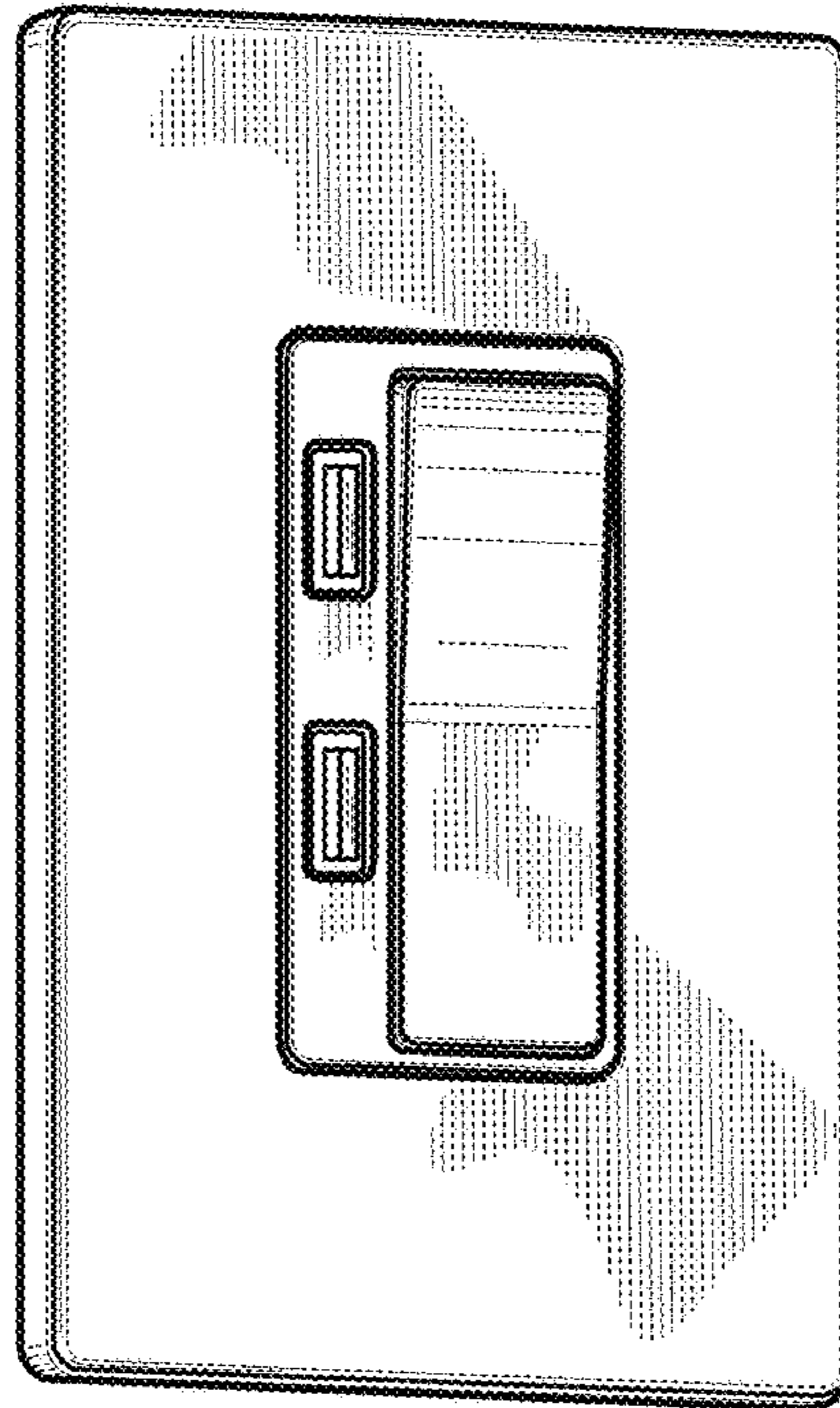
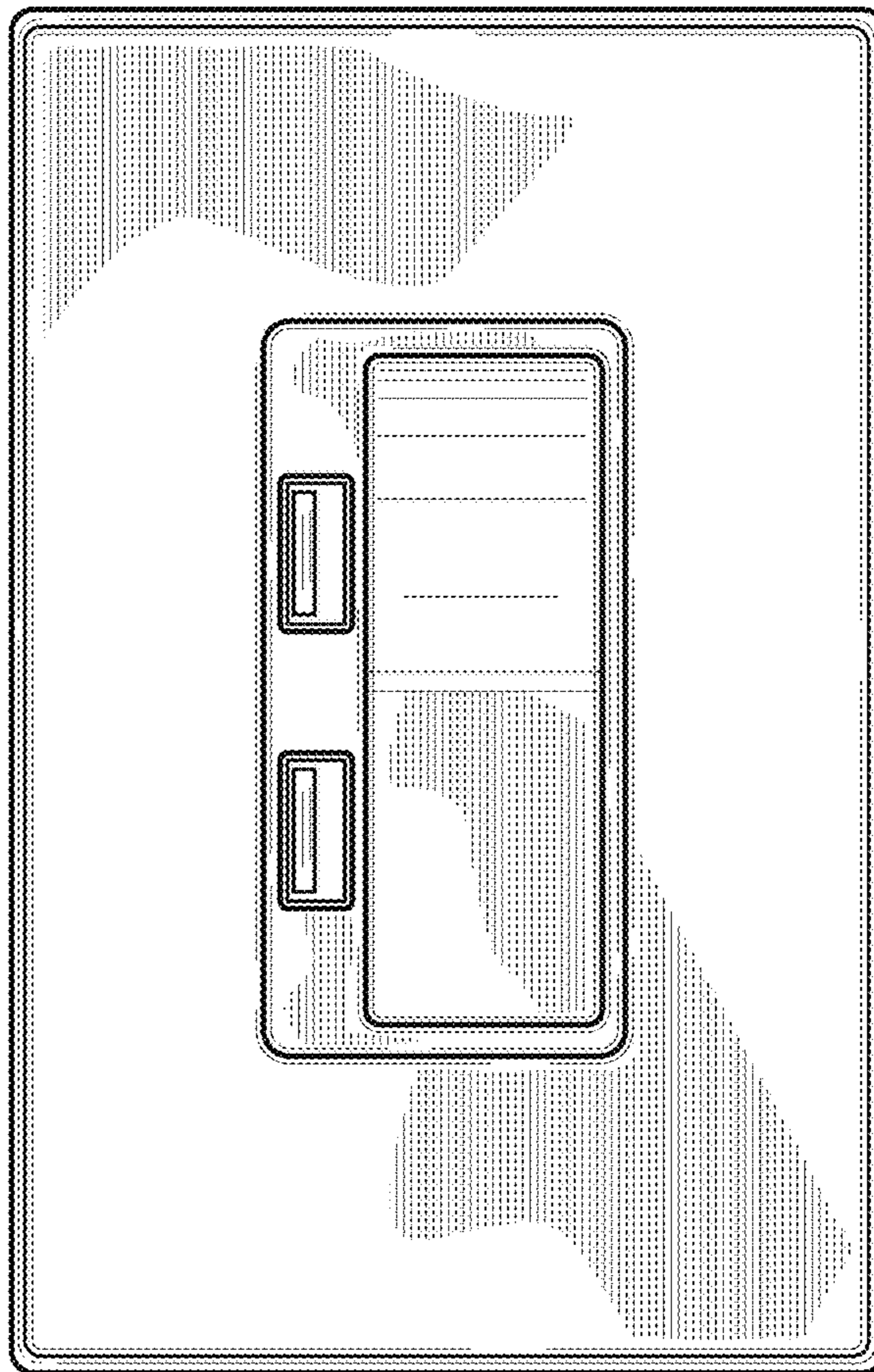


Figure 10



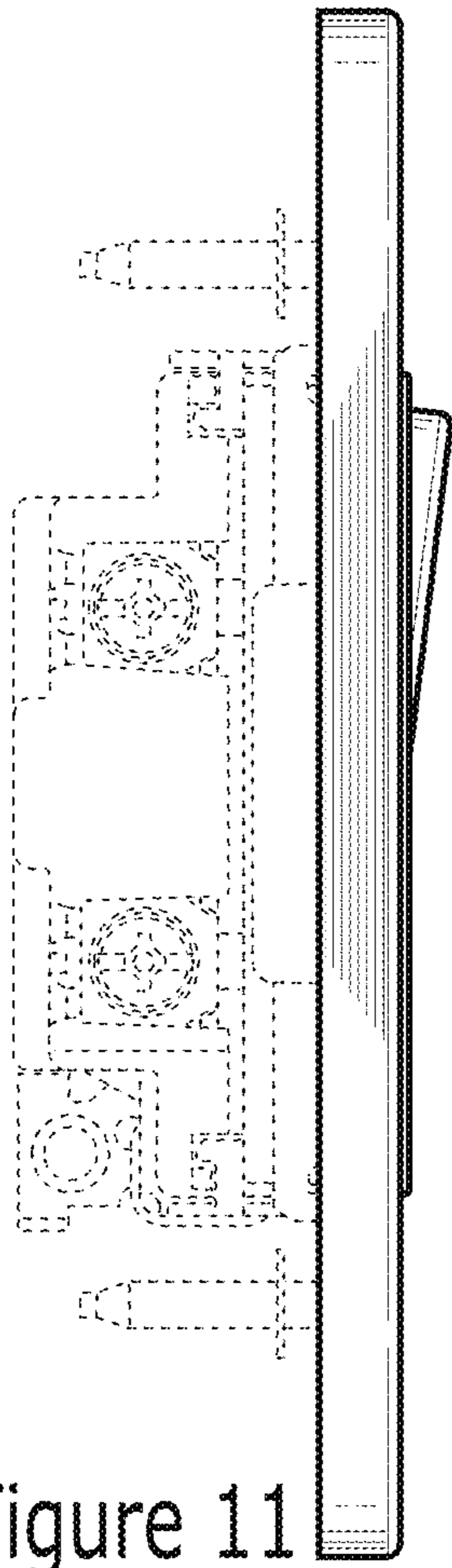


Figure 11

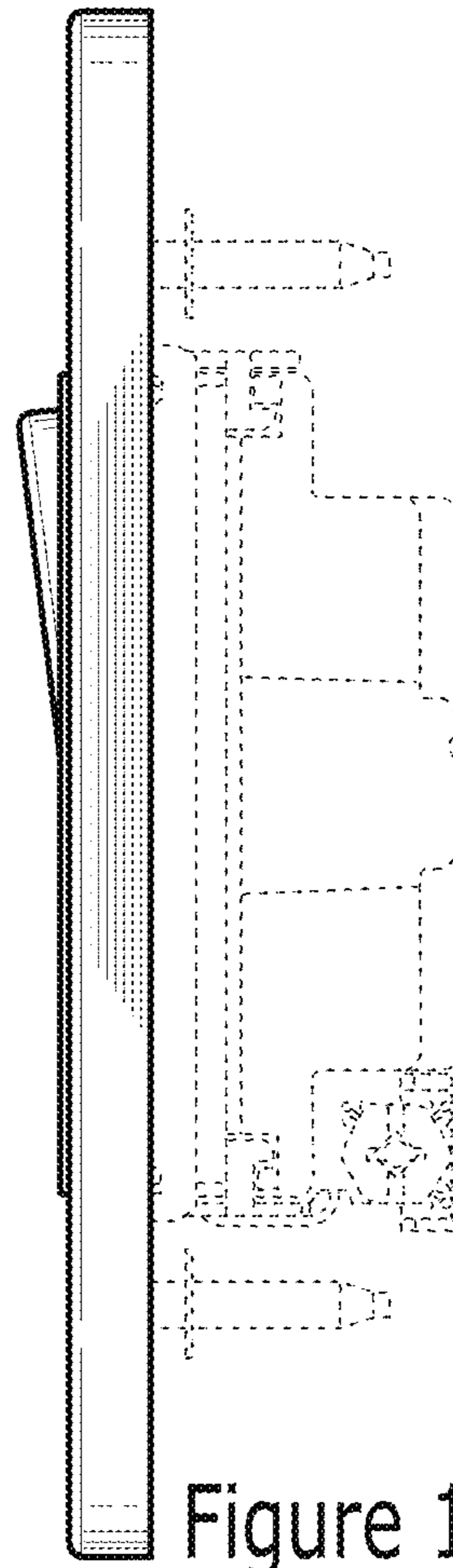


Figure 12

Figure 13

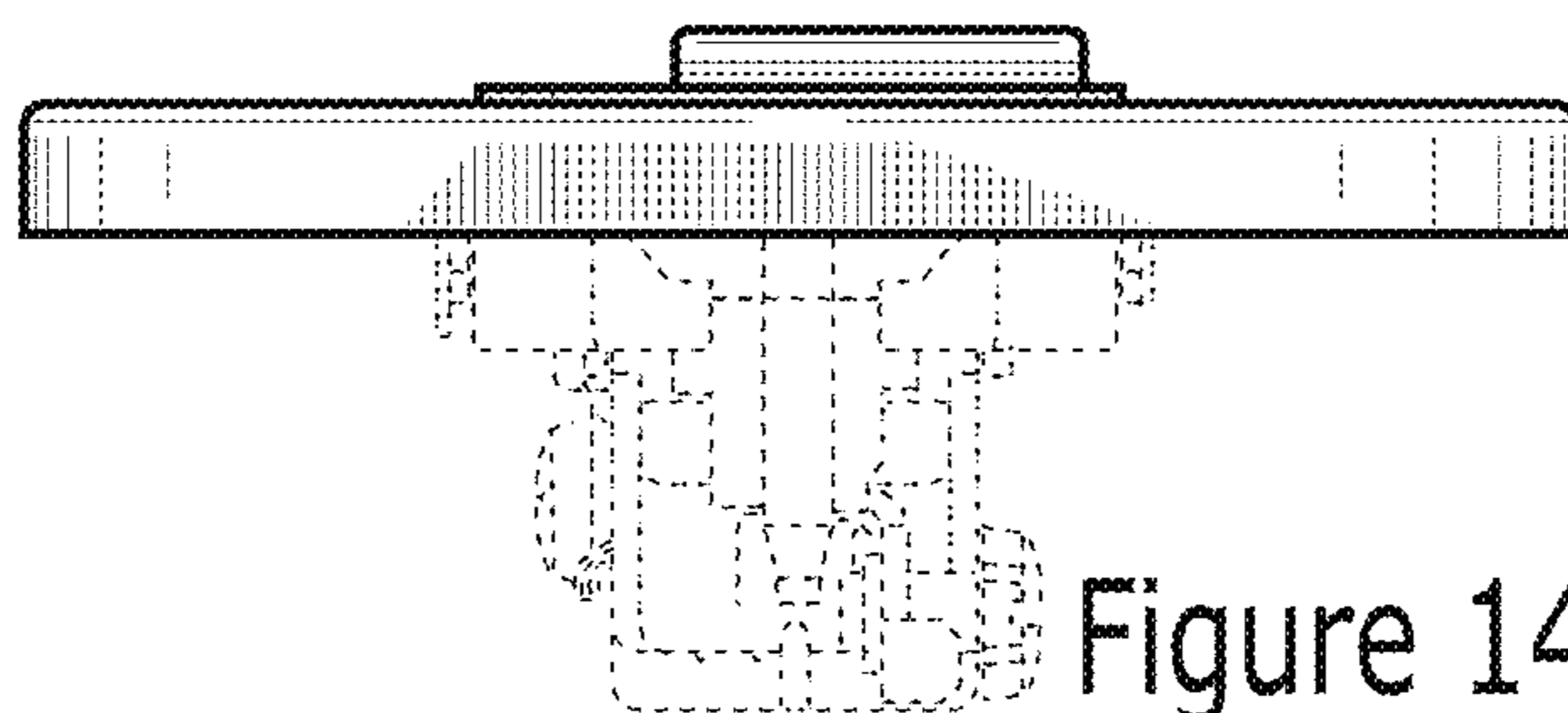
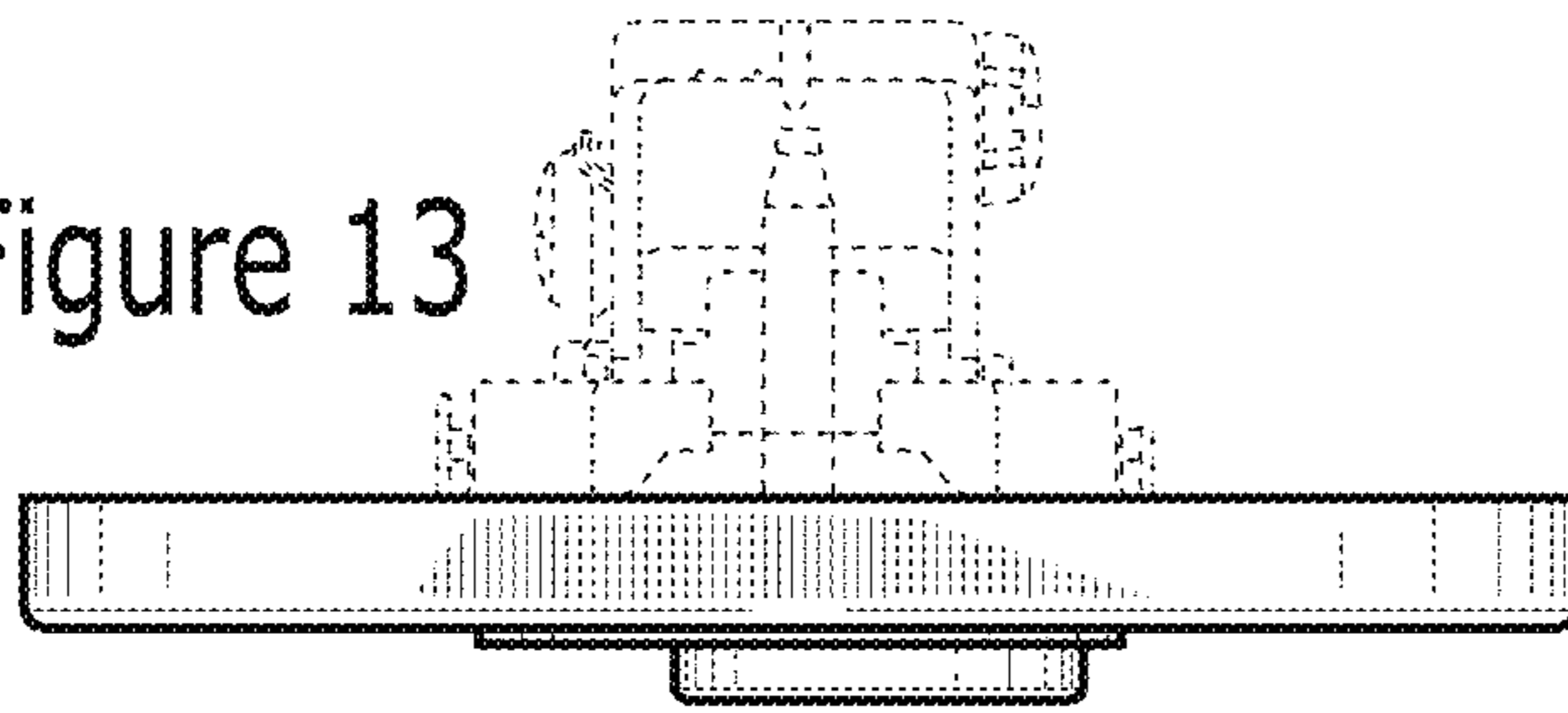


Figure 14

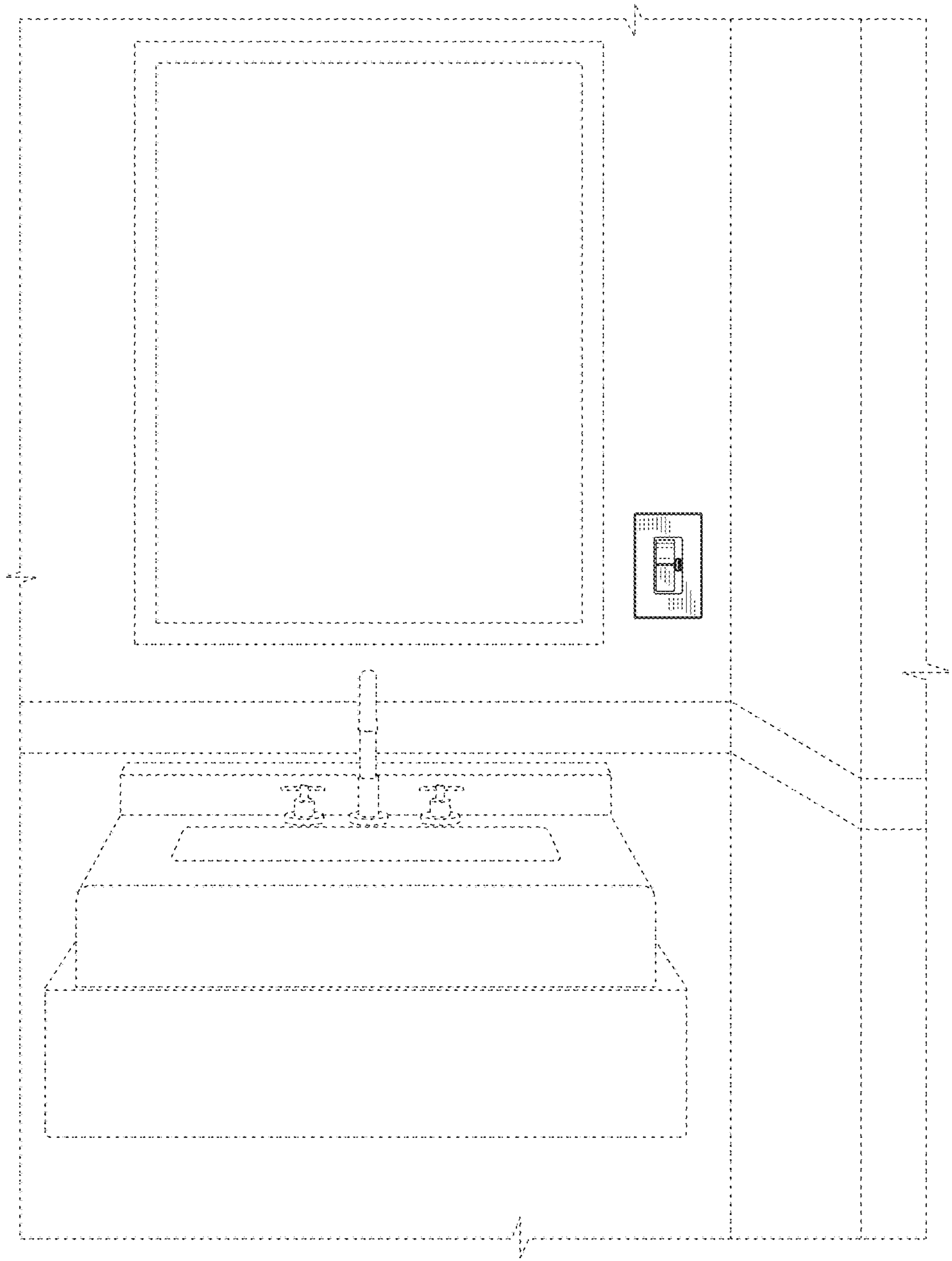


Figure 15

Figure 16

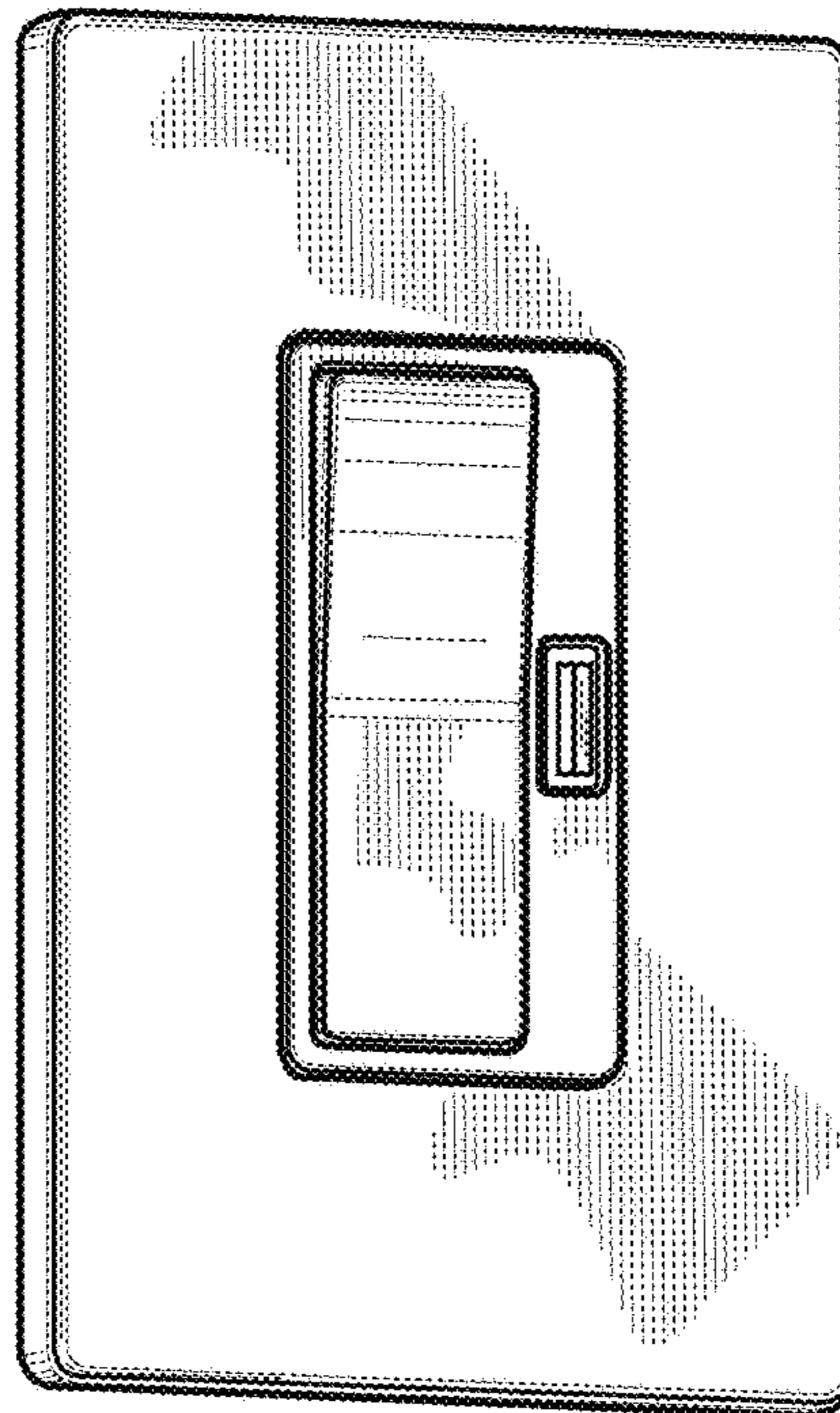
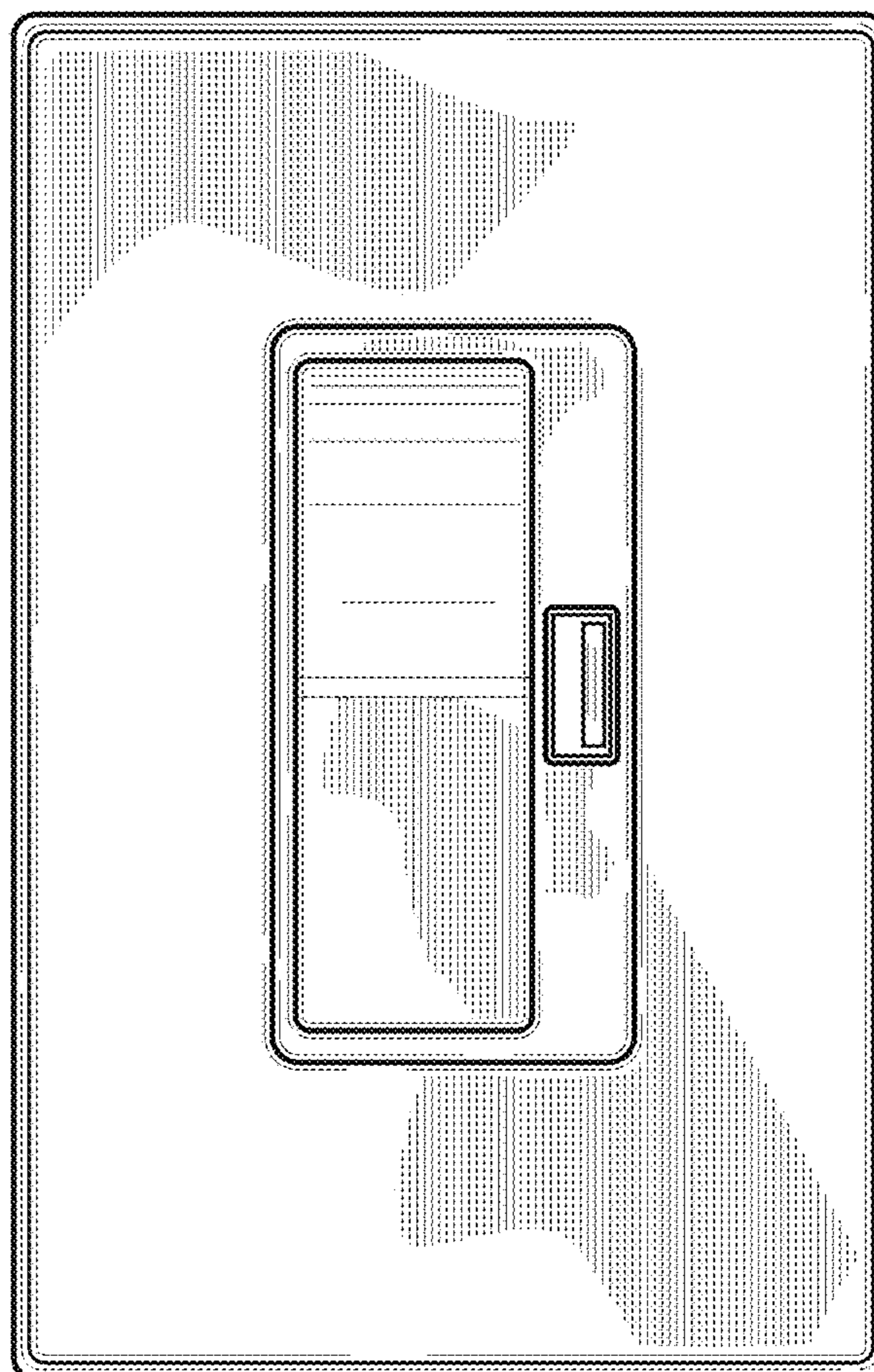


Figure 17



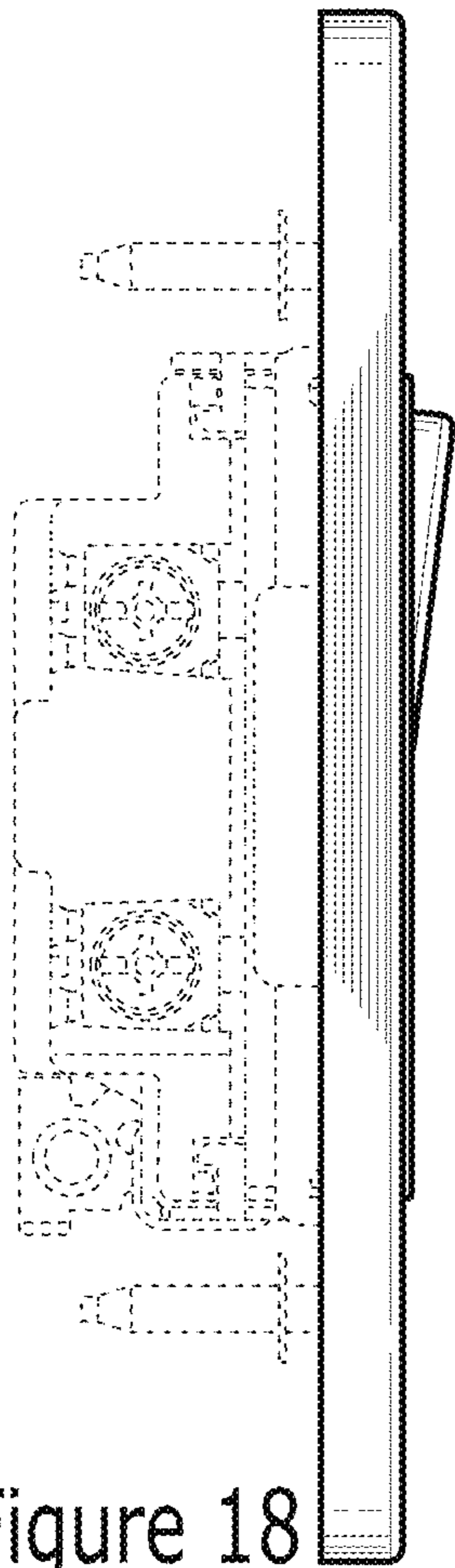


Figure 18

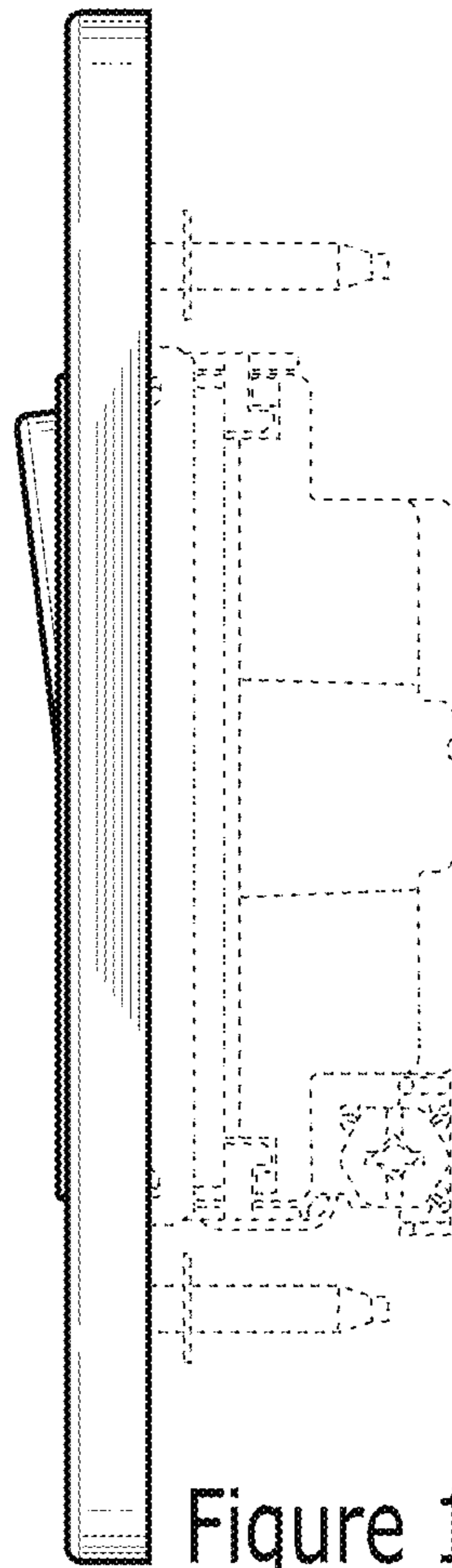


Figure 19

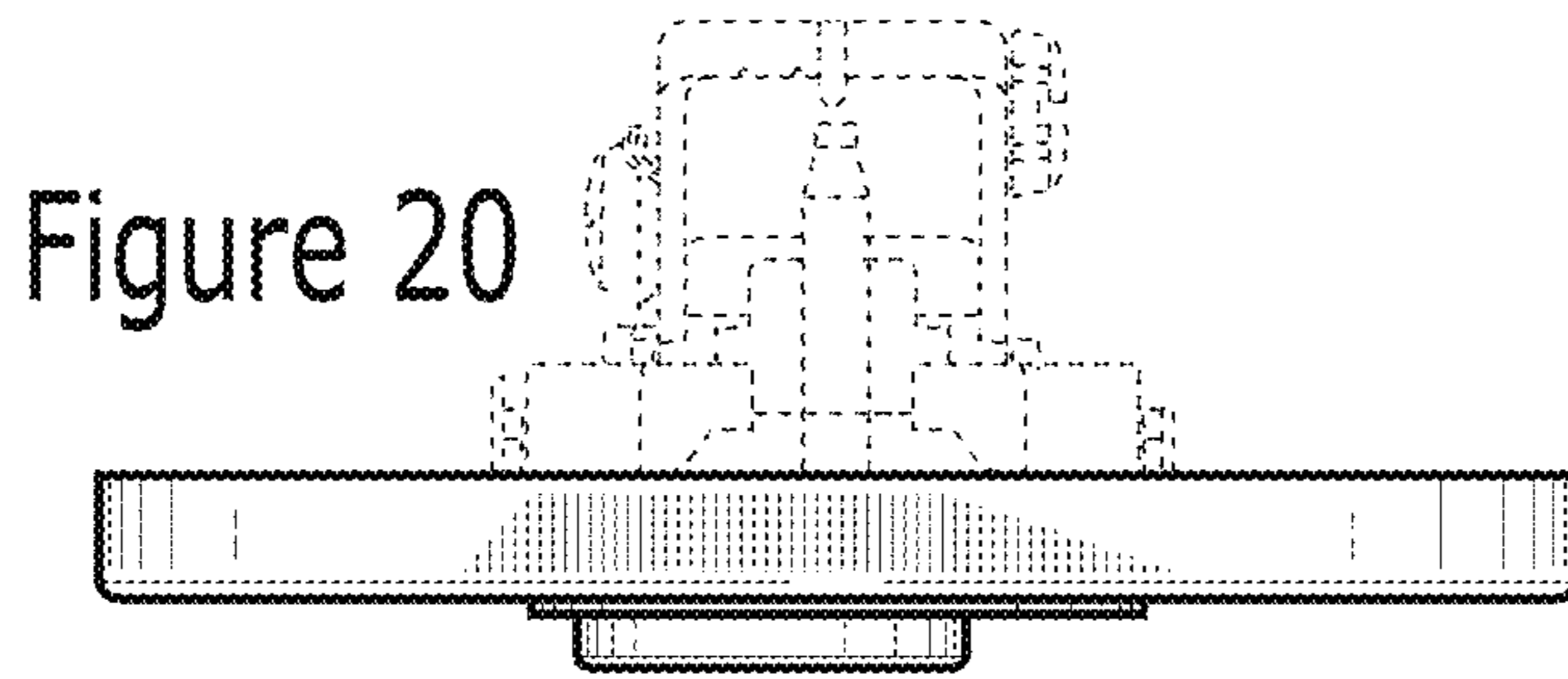


Figure 20

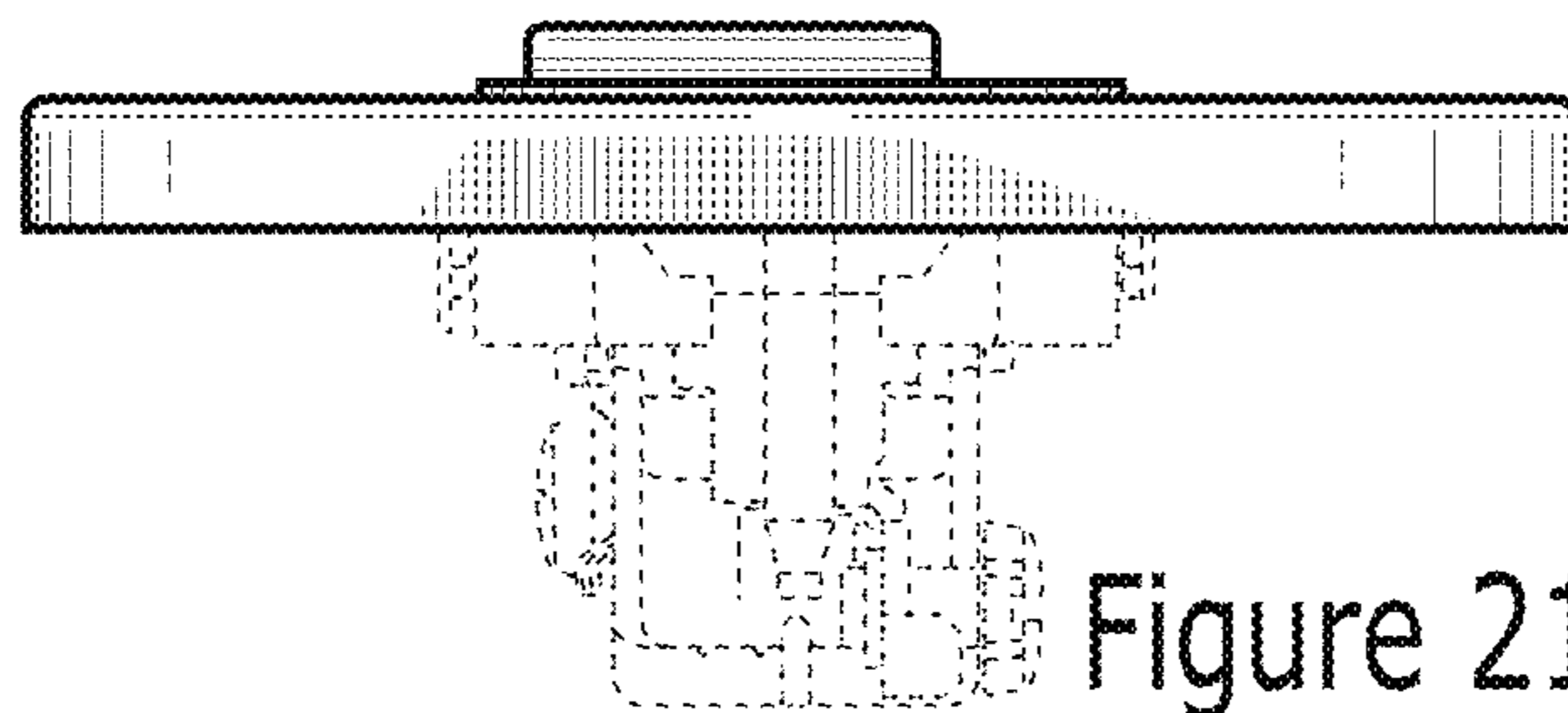


Figure 21

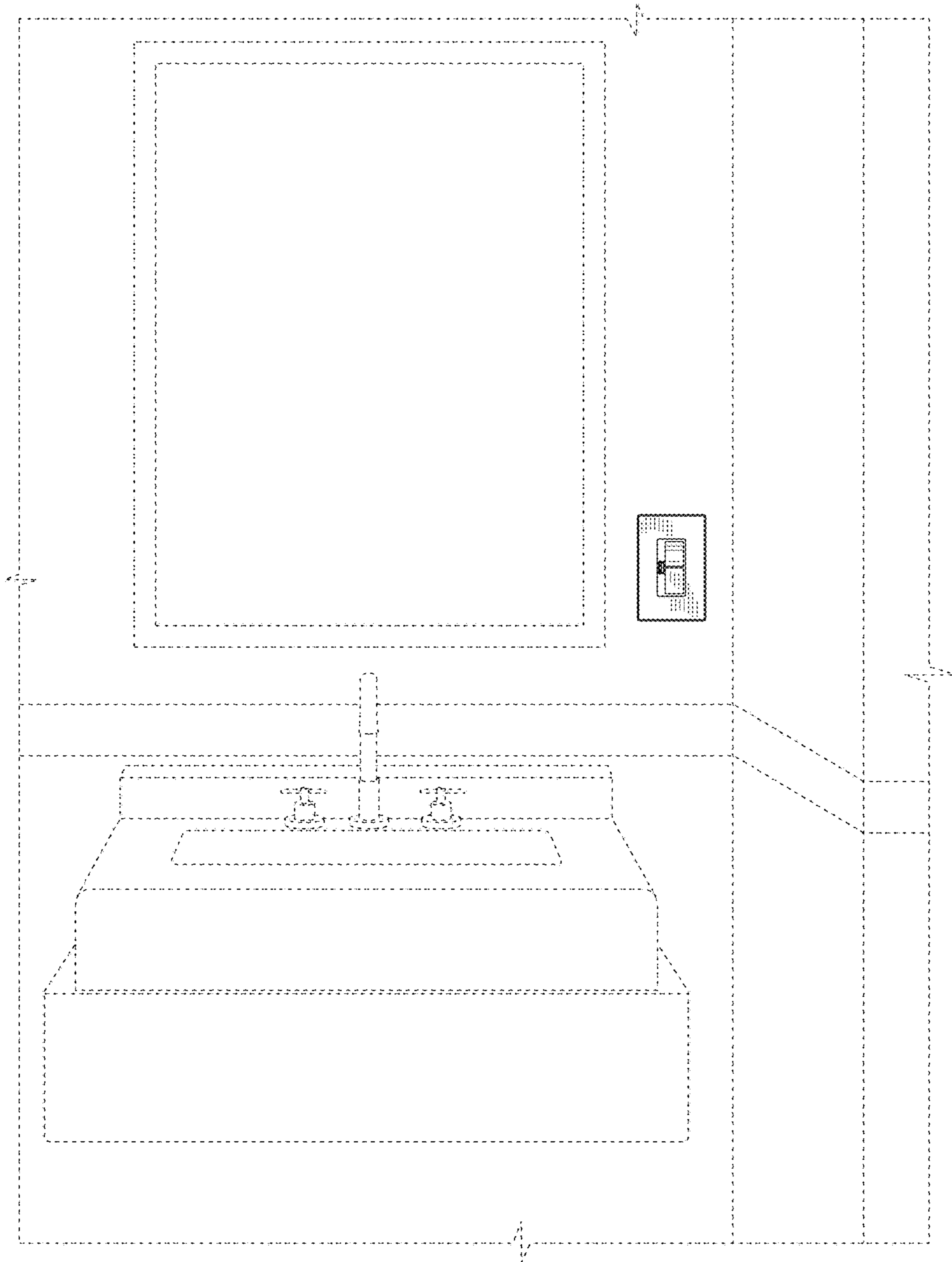


Figure 22

Figure 23

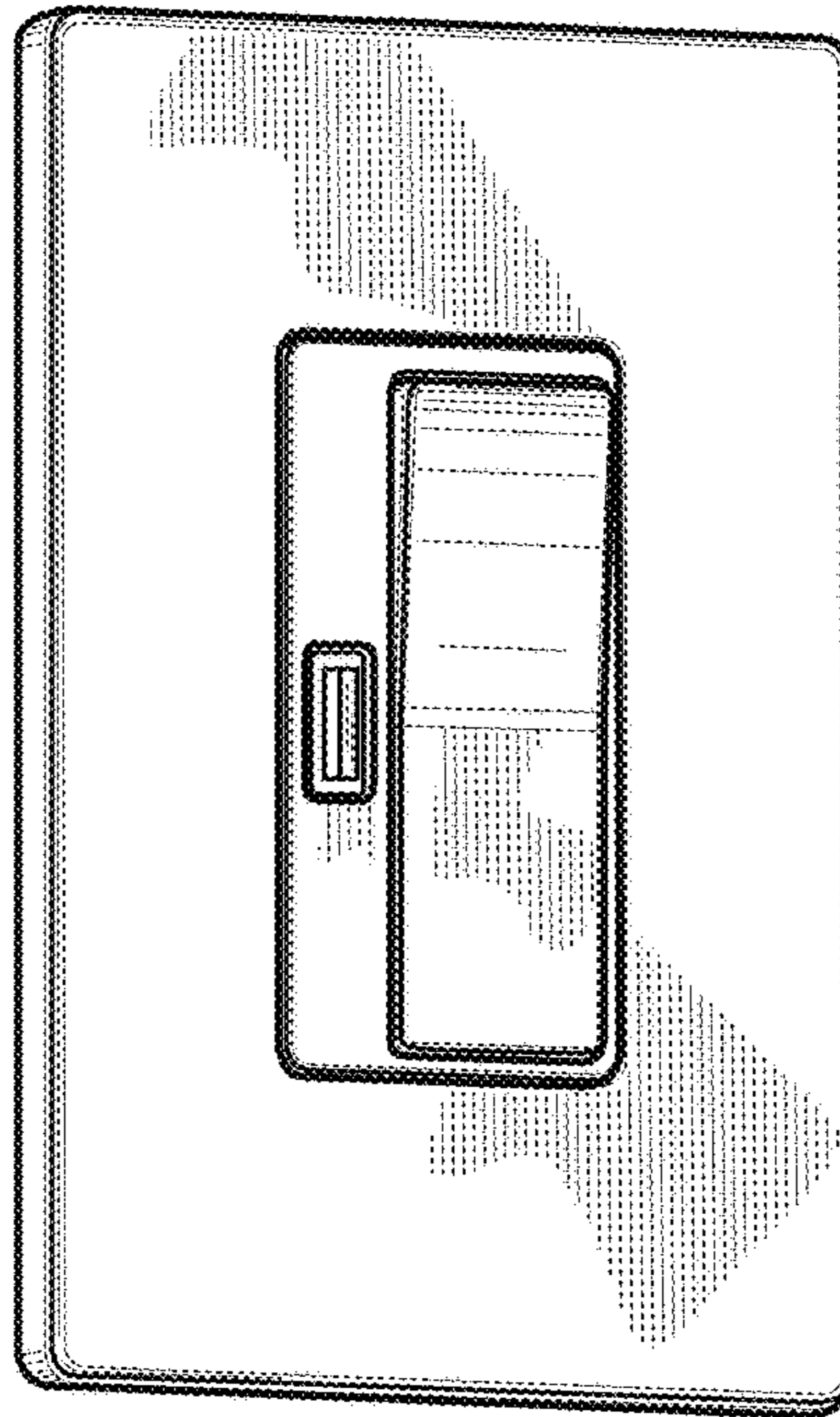
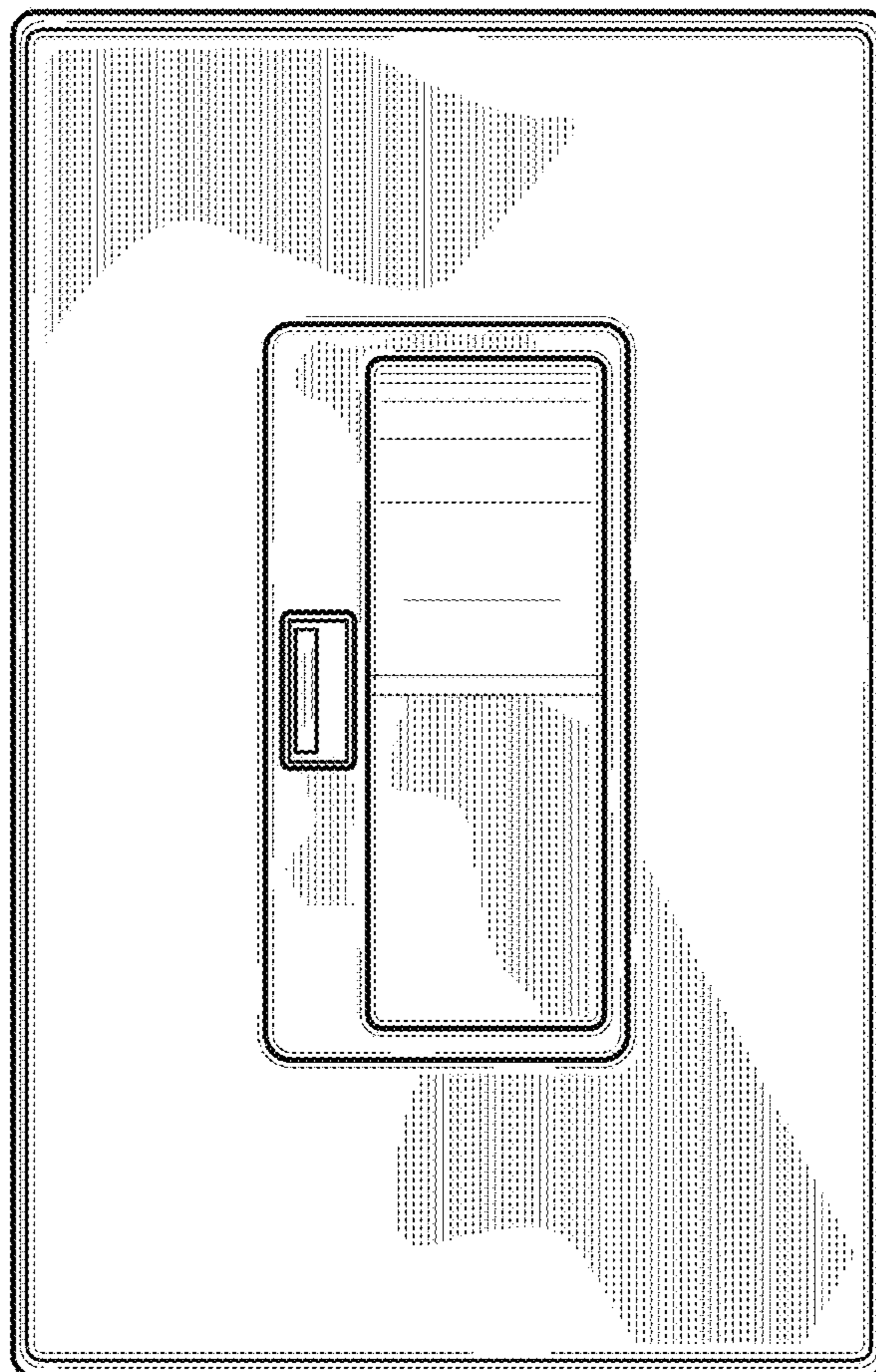


Figure 24



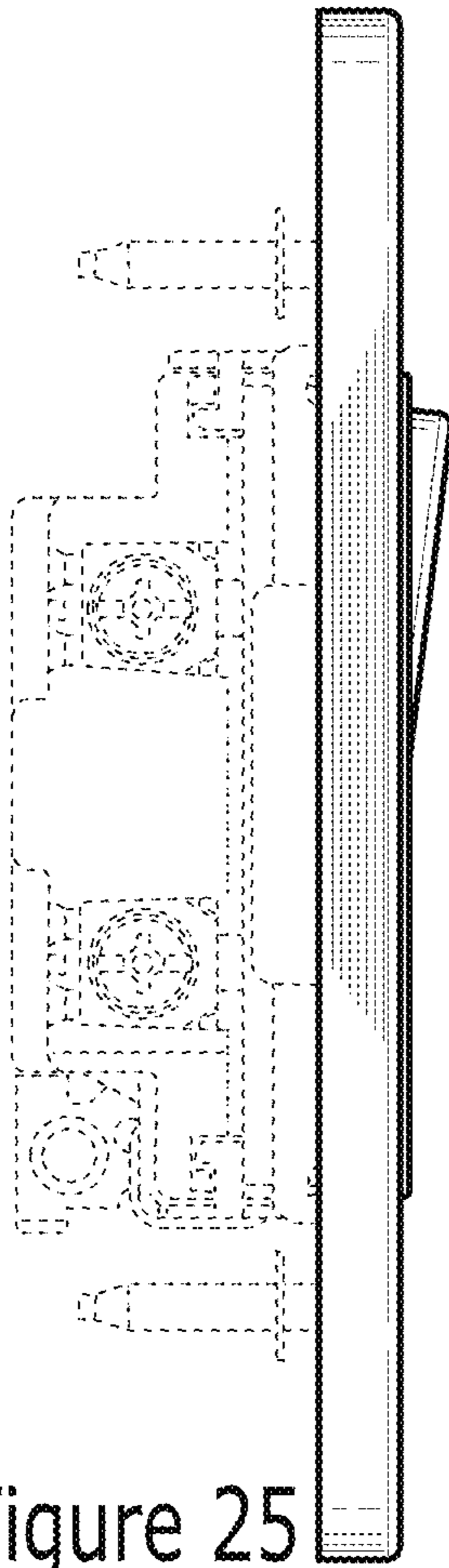


Figure 25

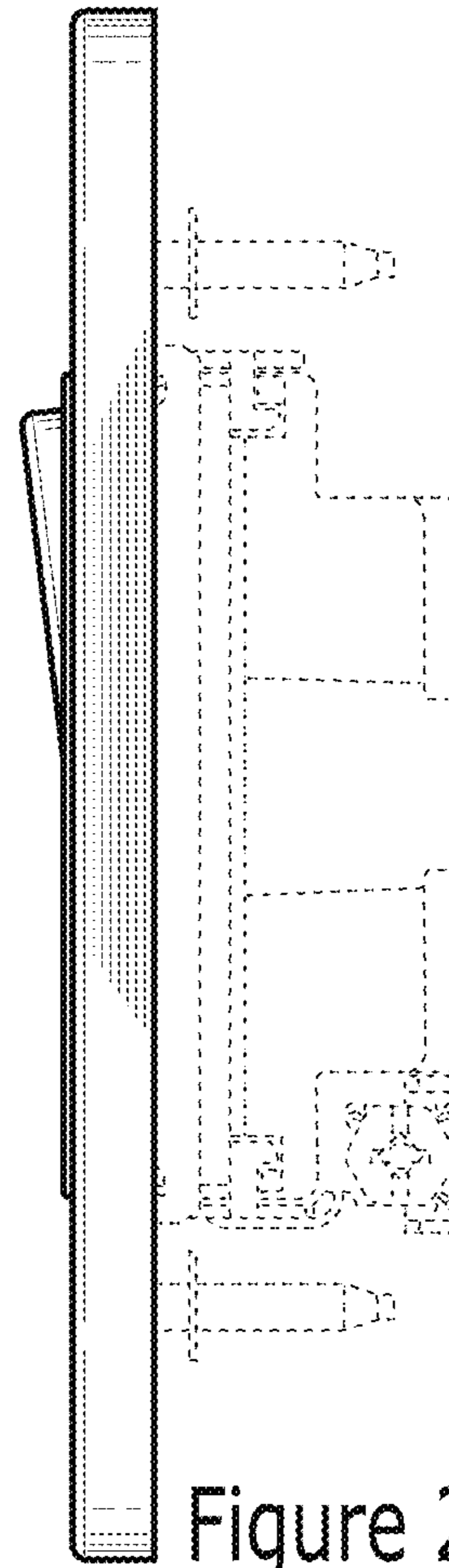


Figure 26

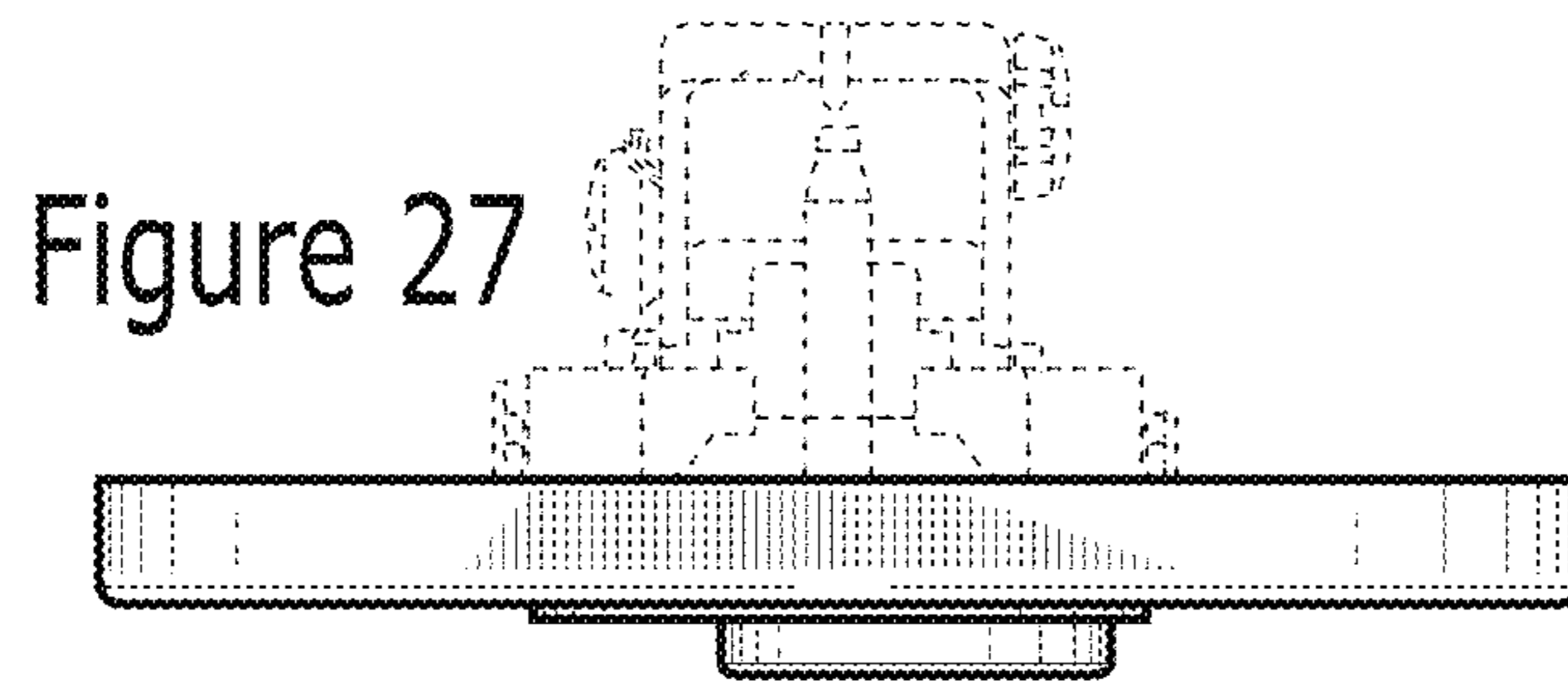


Figure 27

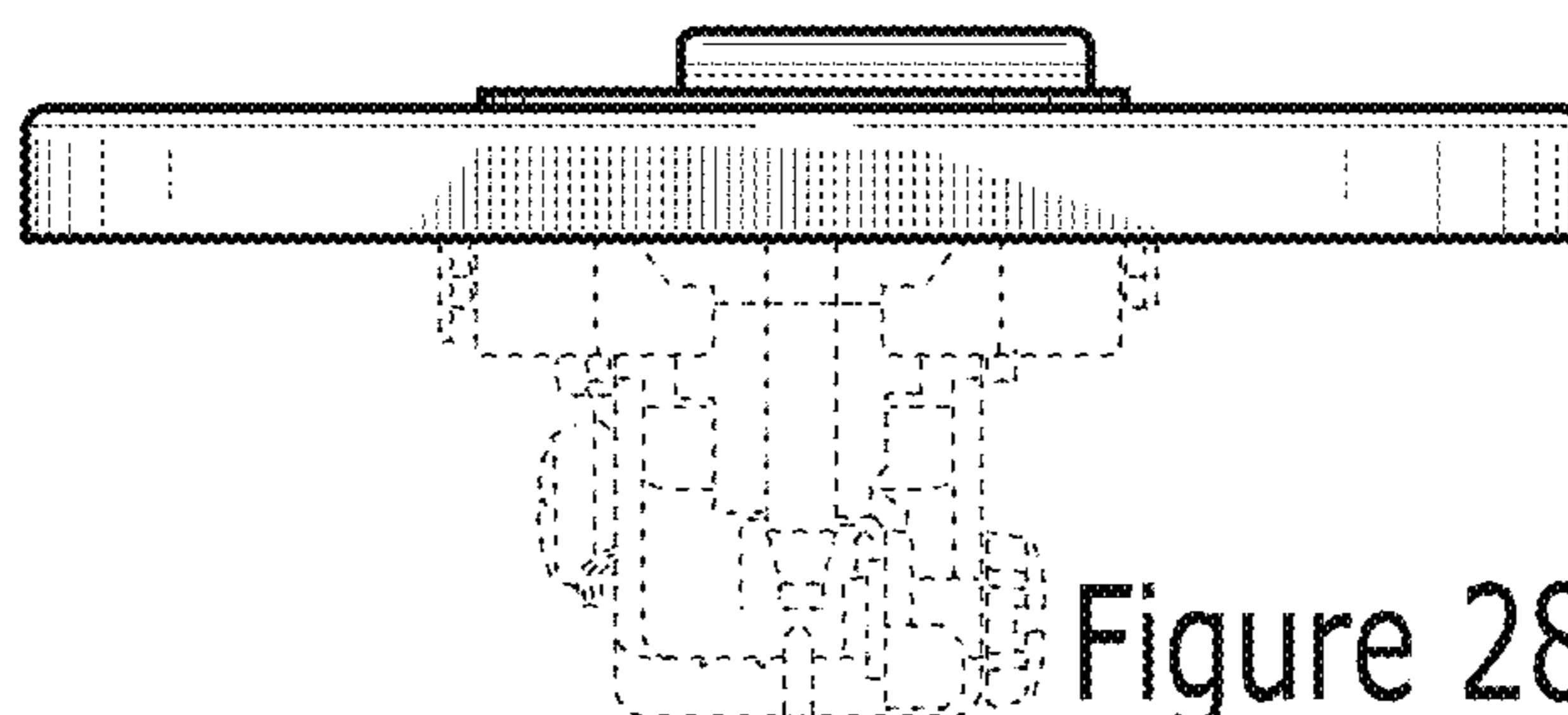


Figure 28

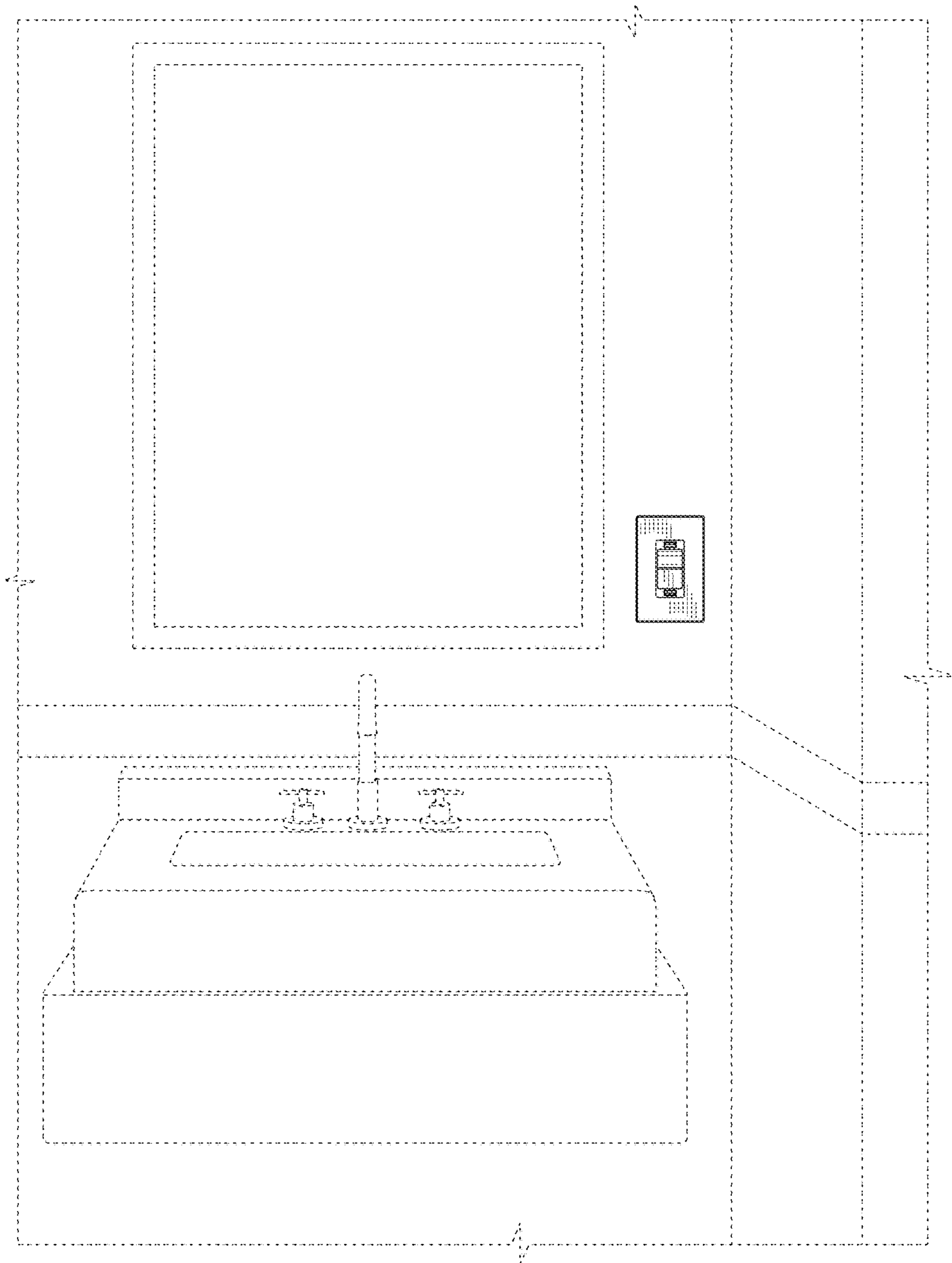


Figure 29

Figure 30

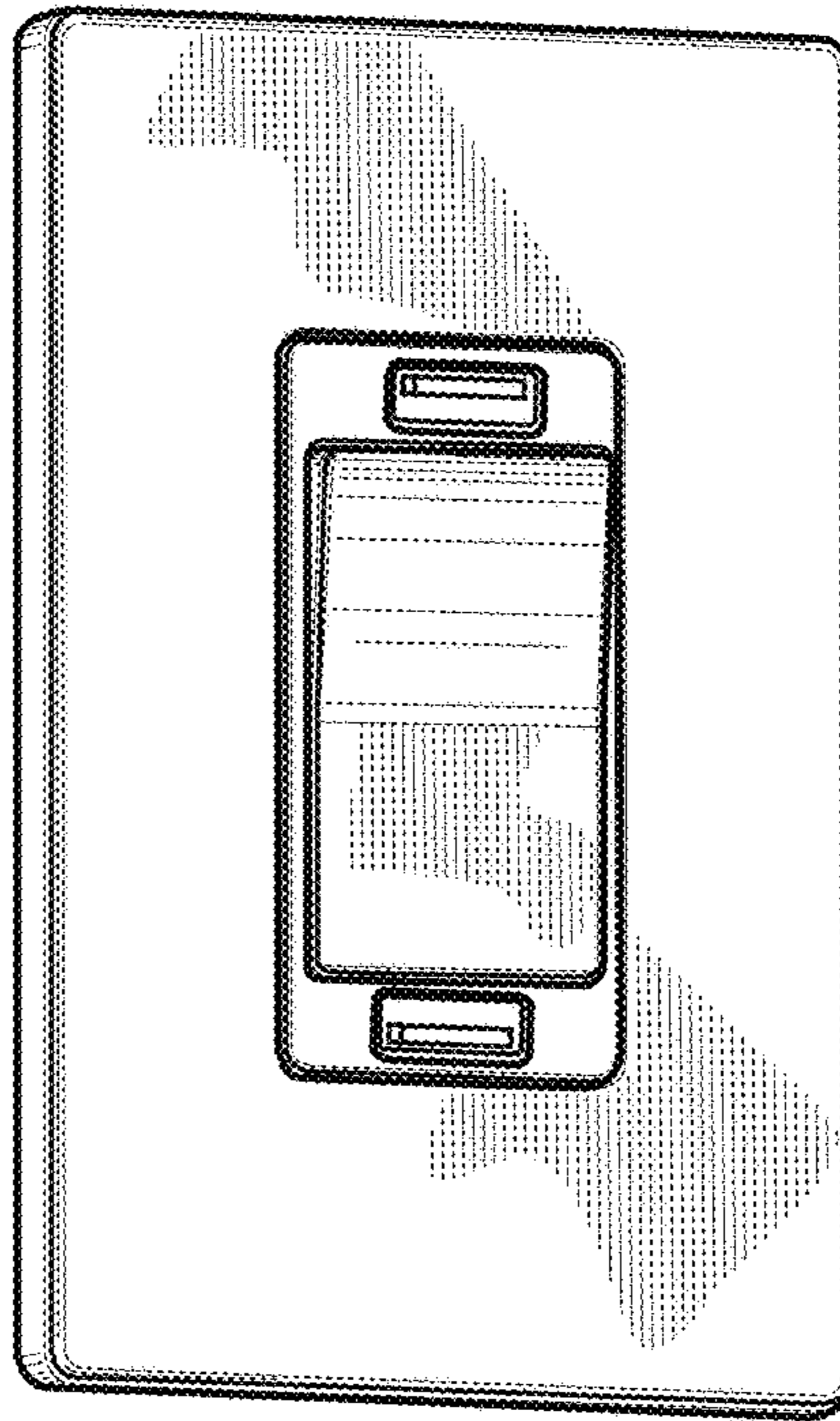
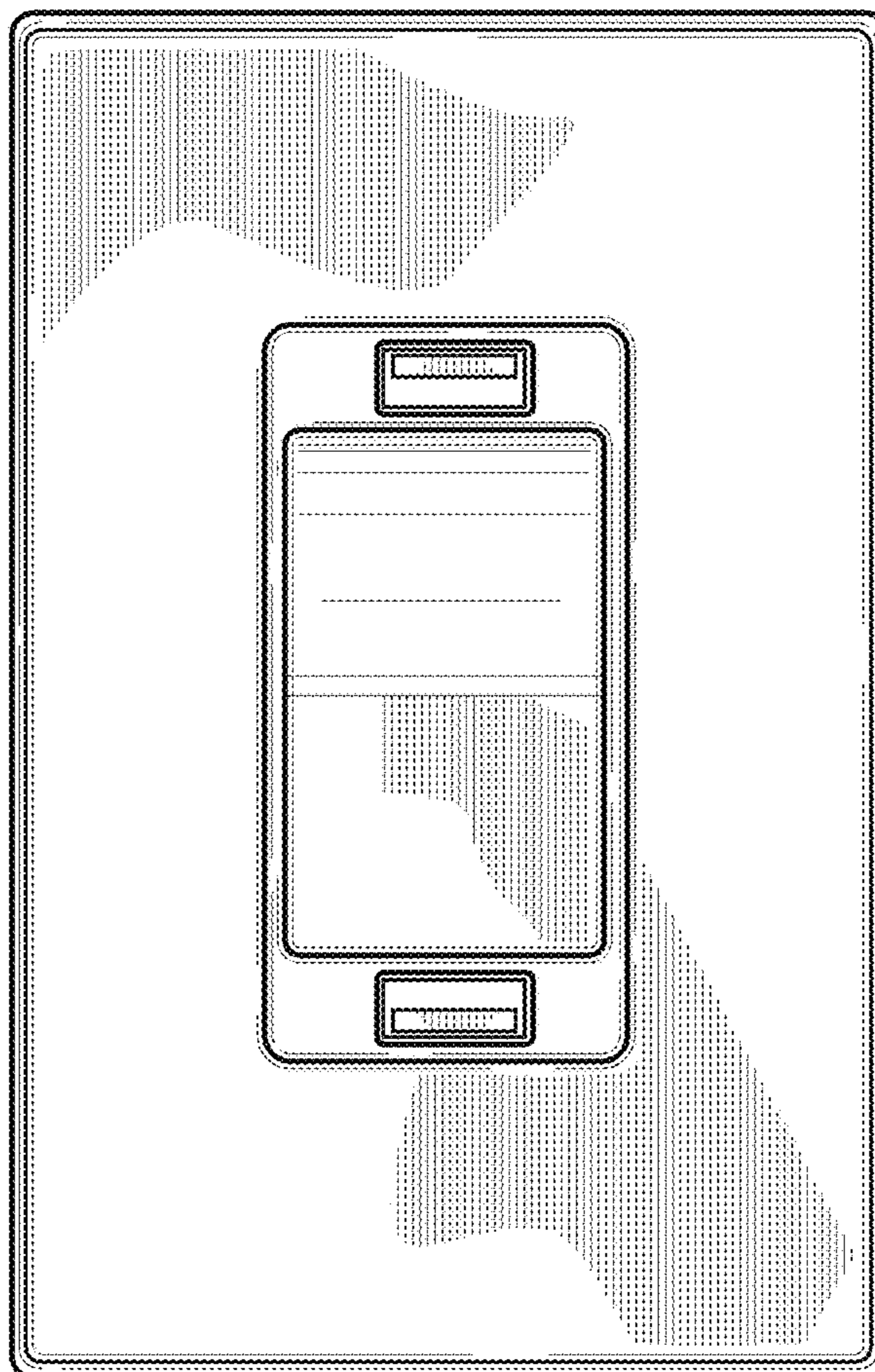


Figure 31



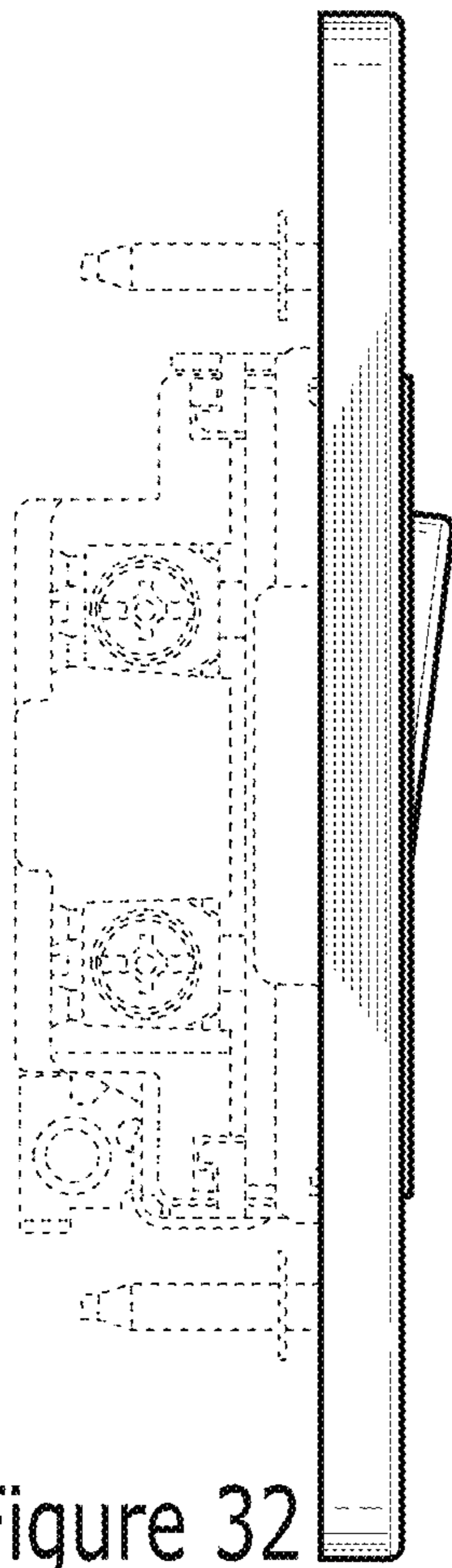


Figure 32

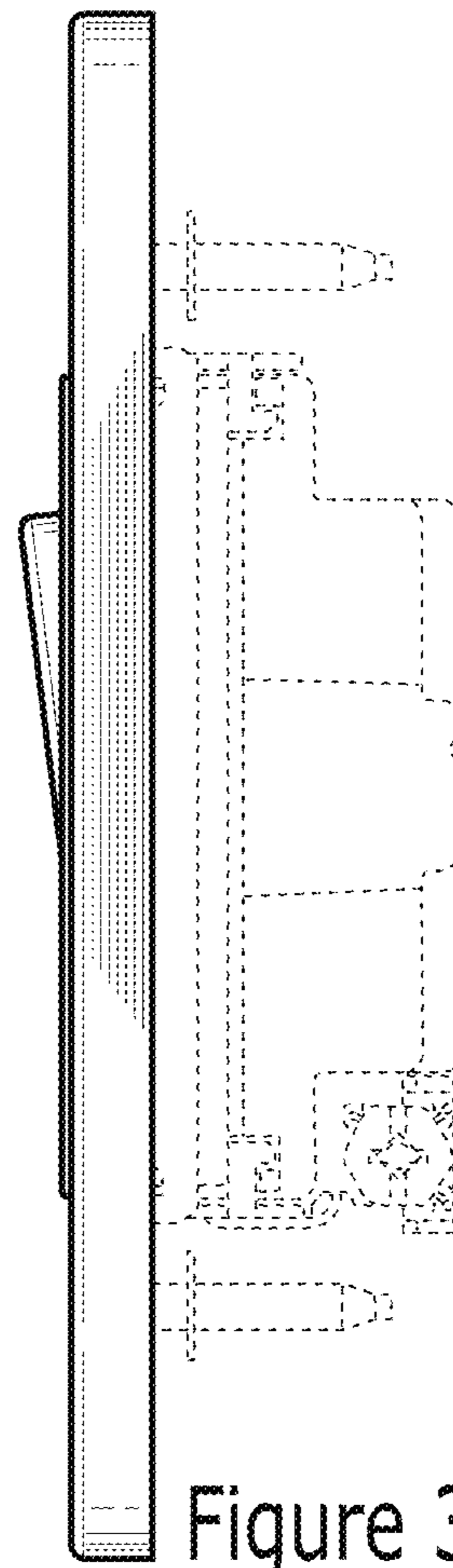


Figure 33

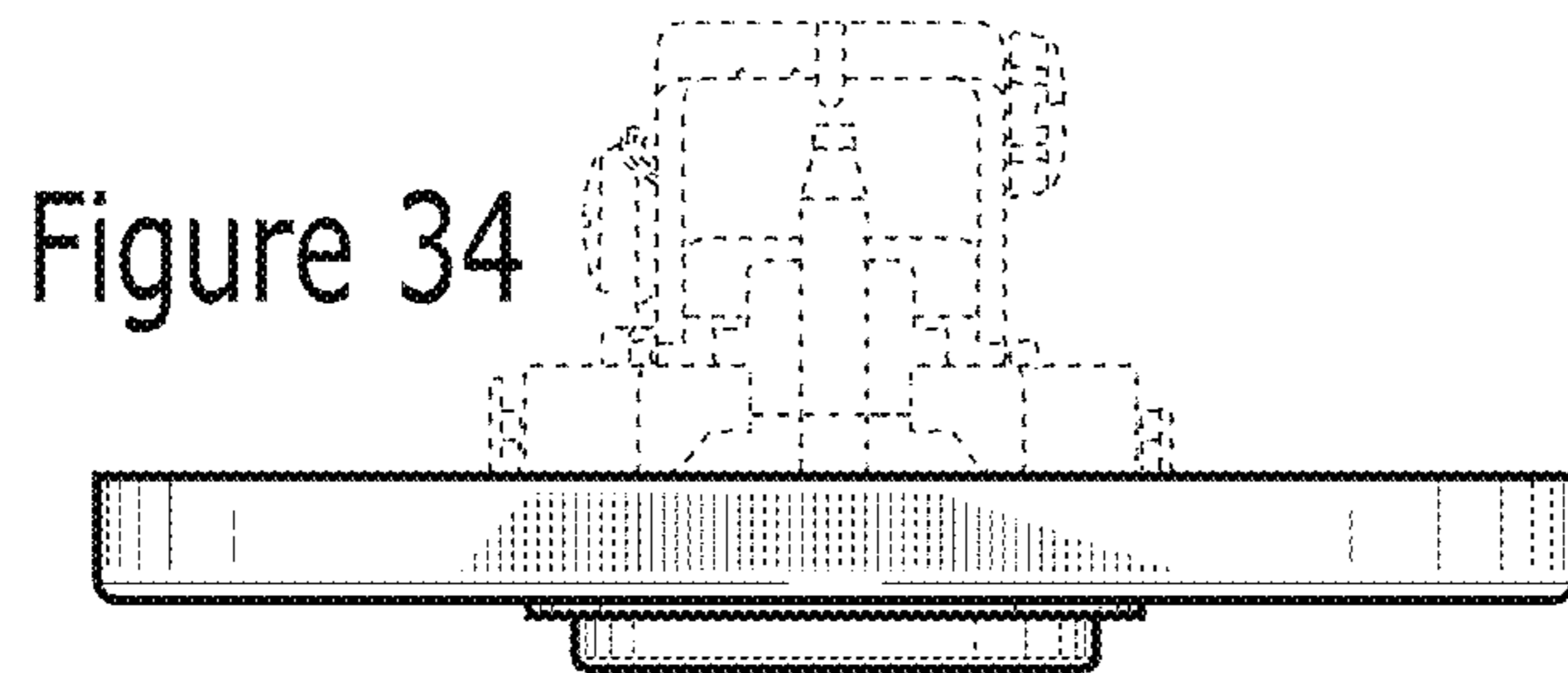


Figure 34

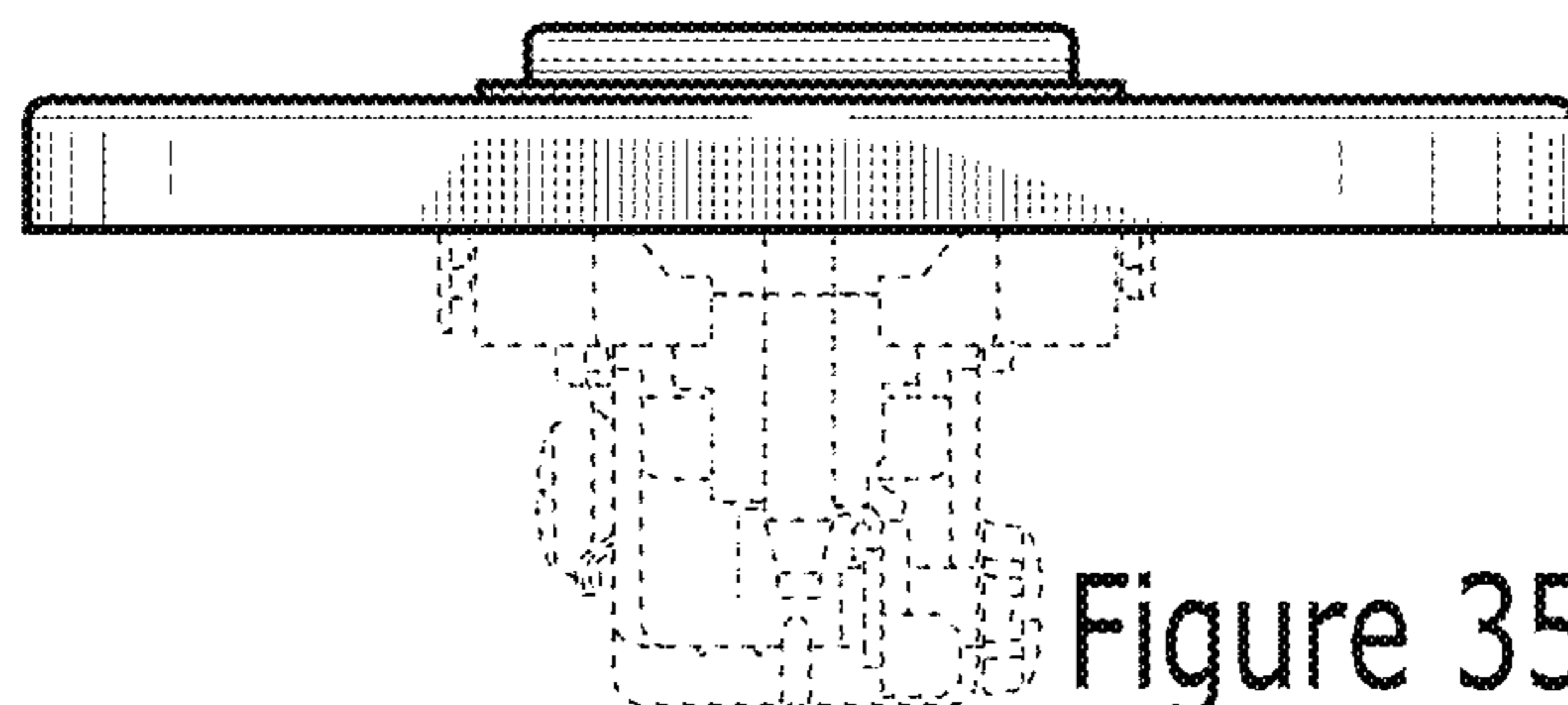


Figure 35