



US00D832796S

(12) **United States Design Patent** (10) **Patent No.:** **US D832,796 S**
Seidl et al. (45) **Date of Patent:** **** Nov. 6, 2018**

- (54) **SWITCH**
- (71) Applicant: **Raffel Systems, LLC**, Germantown, WI (US)
- (72) Inventors: **Kenneth G. Seidl**, Port Washington, WI (US); **Paul Li**, Milwaukee, WI (US)
- (73) Assignee: **Raffel Systems, LLC**, Germantown, MD (US)
- (**) Term: **15 Years**
- (21) Appl. No.: **29/619,211**
- (22) Filed: **Sep. 27, 2017**
- (51) **LOC (11) Cl.** **13-03**
- (52) **U.S. Cl.**
USPC **D13/162; D13/171**
- (58) **Field of Classification Search**
USPC D13/162, 164, 171, 173, 174
CPC H01H 3/02; H01H 3/022; H01H 3/12; H01H 3/122; H01H 9/02; H01H 9/0235; H01H 13/023; H01H 13/04; H01H 13/06; H01H 13/063; H01H 13/10; H01H 13/12; H01H 13/14; H01H 13/36; H01H 13/70; H01H 13/86; H01H 21/24; H01H 25/065; A47C 1/0345; A47C 1/035; A47C 7/506
See application file for complete search history.

D607,852 S	1/2010	Riede	
D643,377 S	8/2011	Brennan et al.	
D689,825 S *	9/2013	Wenji	D13/162
8,766,115 B2	7/2014	Kristen	
8,884,175 B2 *	11/2014	Botez	H01H 21/18 200/341
D720,305 S	12/2014	Wenji	
D733,078 S	6/2015	Wu	
D739,361 S	9/2015	Wenji	
D740,238 S	10/2015	Dorn et al.	
D740,763 S *	10/2015	Wenji	D13/162
D748,590 S	2/2016	Dorn et al.	
D758,325 S	6/2016	Cook et al.	
D758,326 S *	6/2016	Dorn	D13/174
D758,975 S	6/2016	Hunter et al.	
D777,688 S *	1/2017	Seidl	D13/171
D782,987 S	4/2017	Gassner	
D786,805 S *	5/2017	Anderson	D13/174
9,640,343 B2 *	5/2017	Koch	H01H 9/0207
D788,719 S *	6/2017	Li	D13/171

(Continued)

Primary Examiner — Selina Sikder
(74) *Attorney, Agent, or Firm* — Casimir Jones S.C.;
Tyler J. Sisk

(57) **CLAIM**

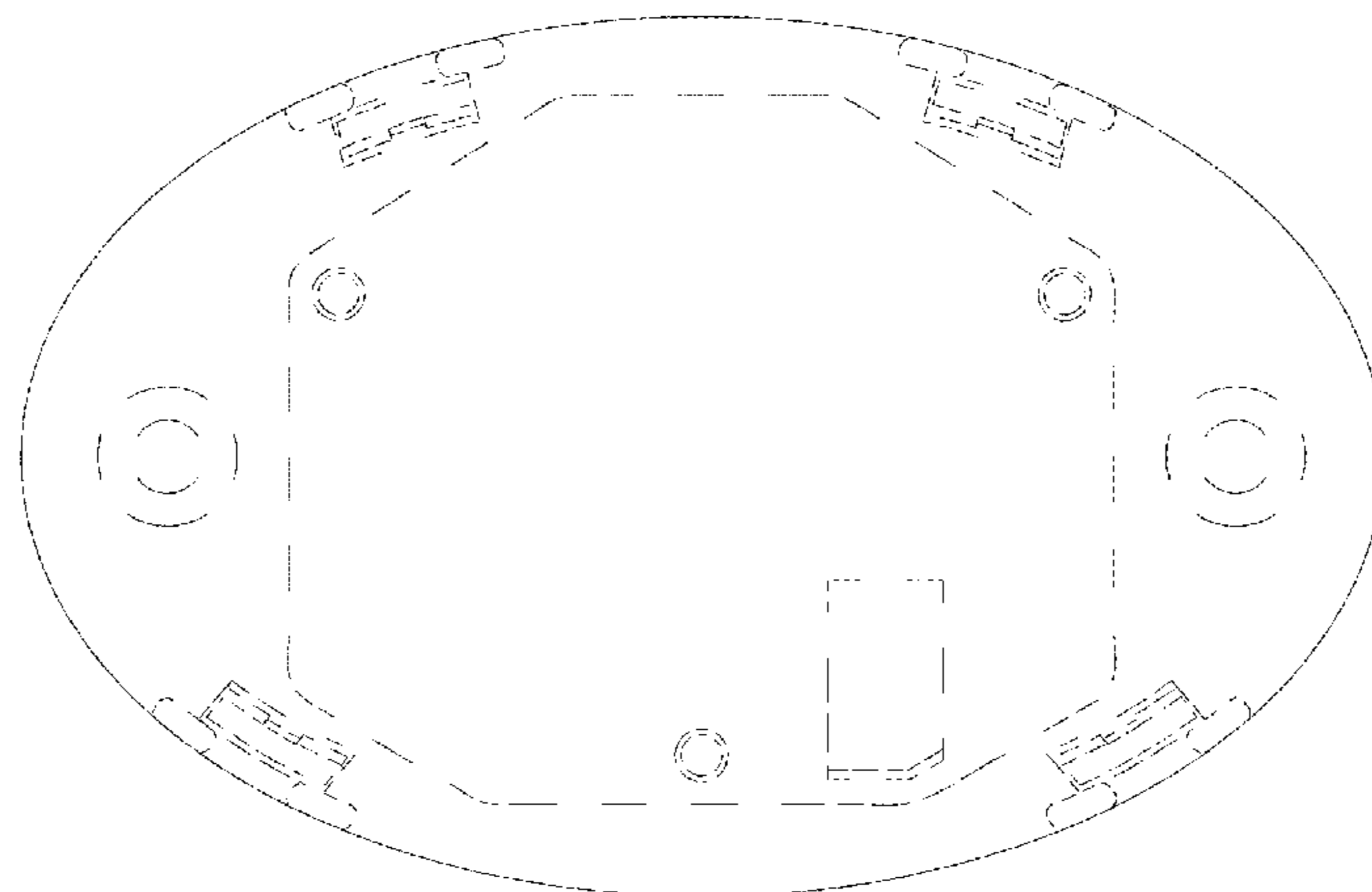
The ornamental design for a switch, as shown and described.

DESCRIPTION

FIG. 1 is a three-quarter perspective view showing our new design of a switch;
FIG. 2 is a front elevational view thereof,
FIG. 3 is a rear elevational view being thereof;
FIG. 4 is a left side elevational view thereof,
FIG. 5 is a right side elevational view thereof,
FIG. 6 is a top plan view thereof; and,
FIG. 7 is a bottom plan view thereof.
The broken lines shown in FIGS. 1 through 7 are for the purpose of illustrating environment, and form no part of the claimed design.

1 Claim, 7 Drawing Sheets

- (56) **References Cited**
U.S. PATENT DOCUMENTS
- D305,018 S 12/1989 Pena et al.
- D305,019 S 12/1989 Pena et al.
- 5,362,932 A 11/1994 Inagaki et al.
- 6,800,819 B2 10/2004 Sato et al.
- 6,841,748 B2 1/2005 Serizawa et al.
- 7,087,847 B2 8/2006 Parkinson et al.
- D534,870 S 1/2007 Metschen et al.
- D571,308 S 6/2008 Gastelum et al.



(56)

References Cited

U.S. PATENT DOCUMENTS

9,804,632	B2 *	10/2017	Gassner	G05G 1/02
D817,898	S	5/2018	Seidl et al.	
D821,986	S	7/2018	Seidl et al.	
2009/0040074	A1	2/2009	McTavish et al.	
2011/0198894	A1 *	8/2011	Hsieh	A47C 1/0242 297/68
2014/0353134	A1 *	12/2014	Muller	H01H 3/20 200/5 A

* cited by examiner

FIG. 1

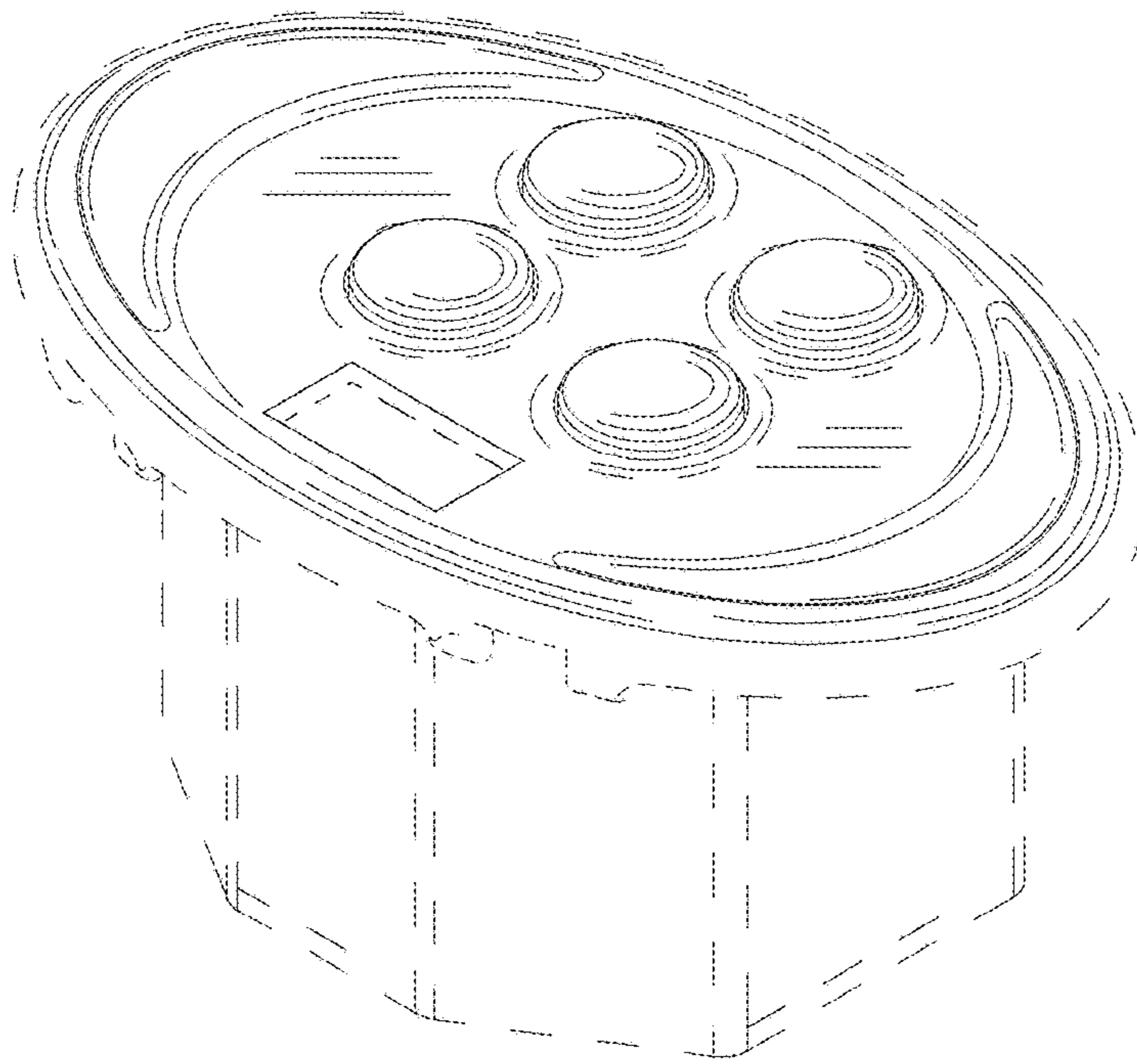


FIG. 2

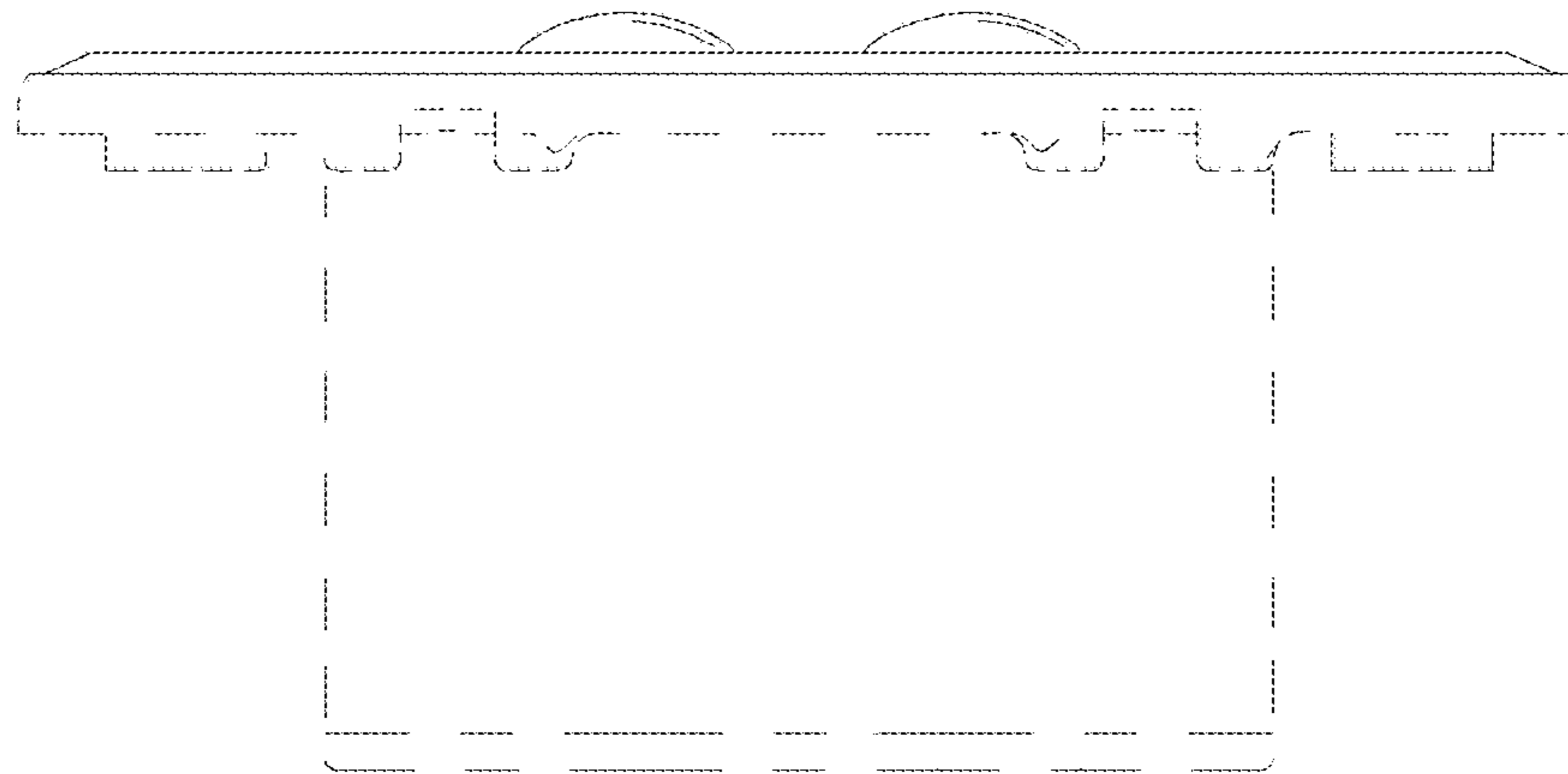


FIG. 3

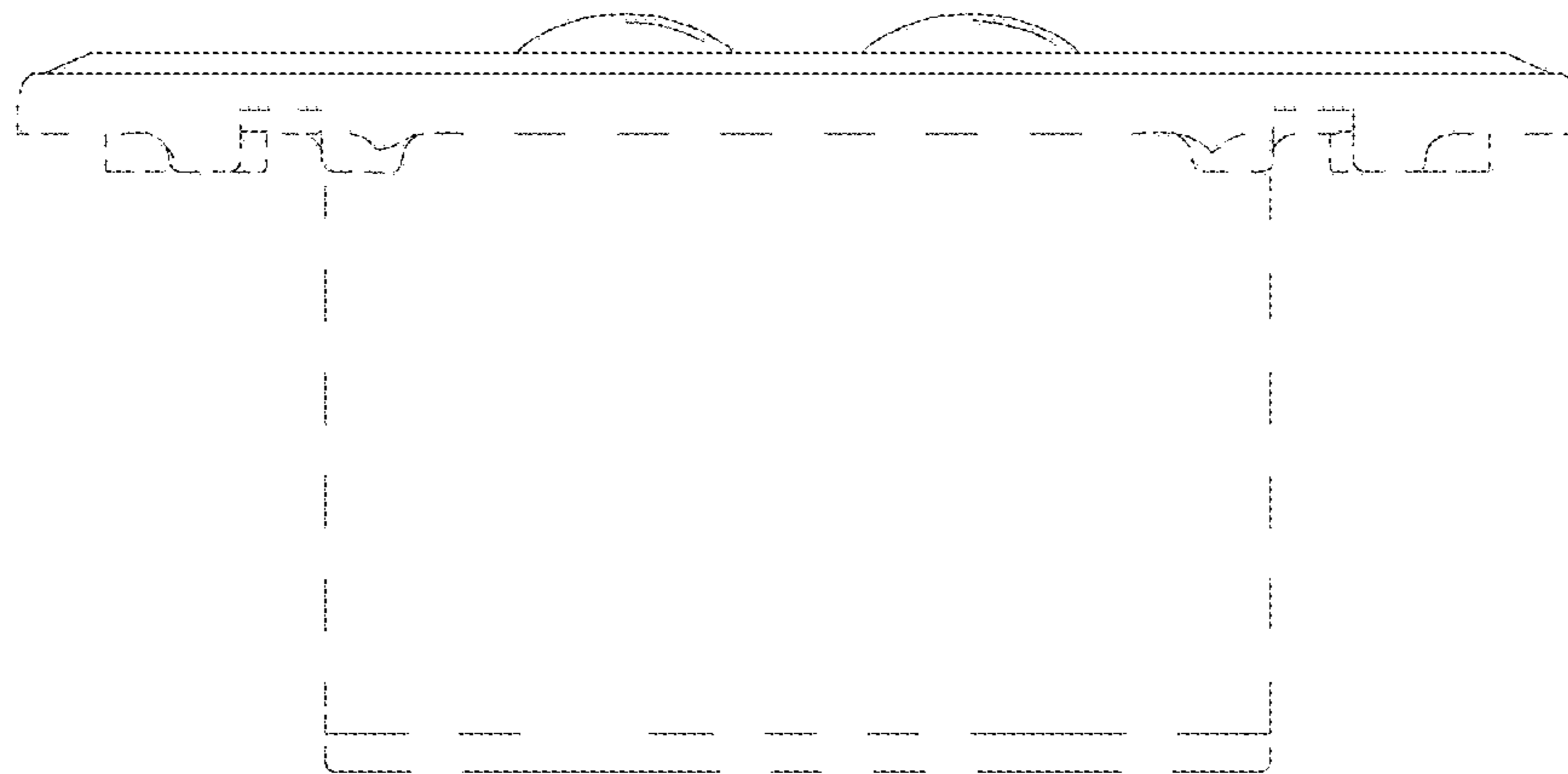


FIG. 4

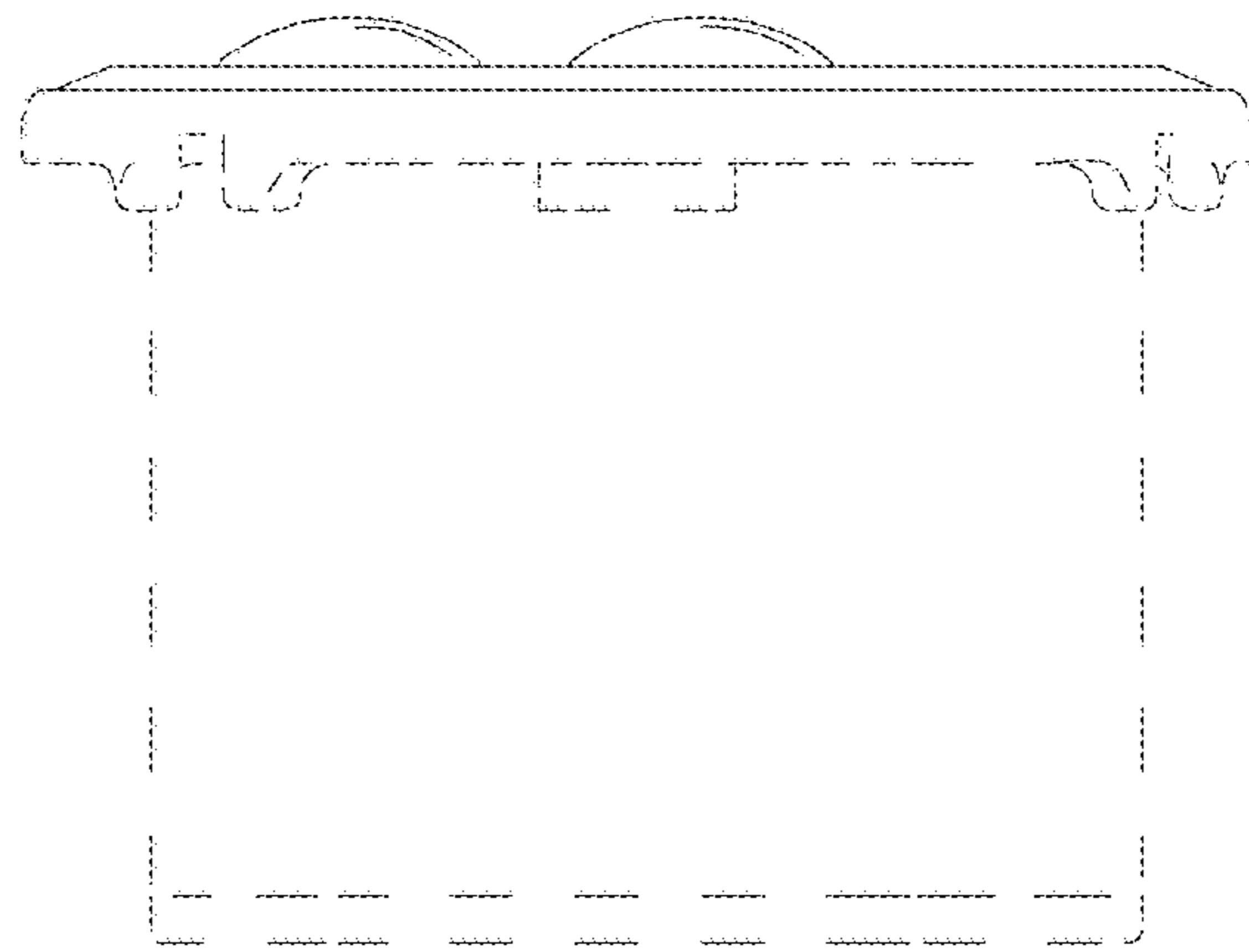


FIG. 5

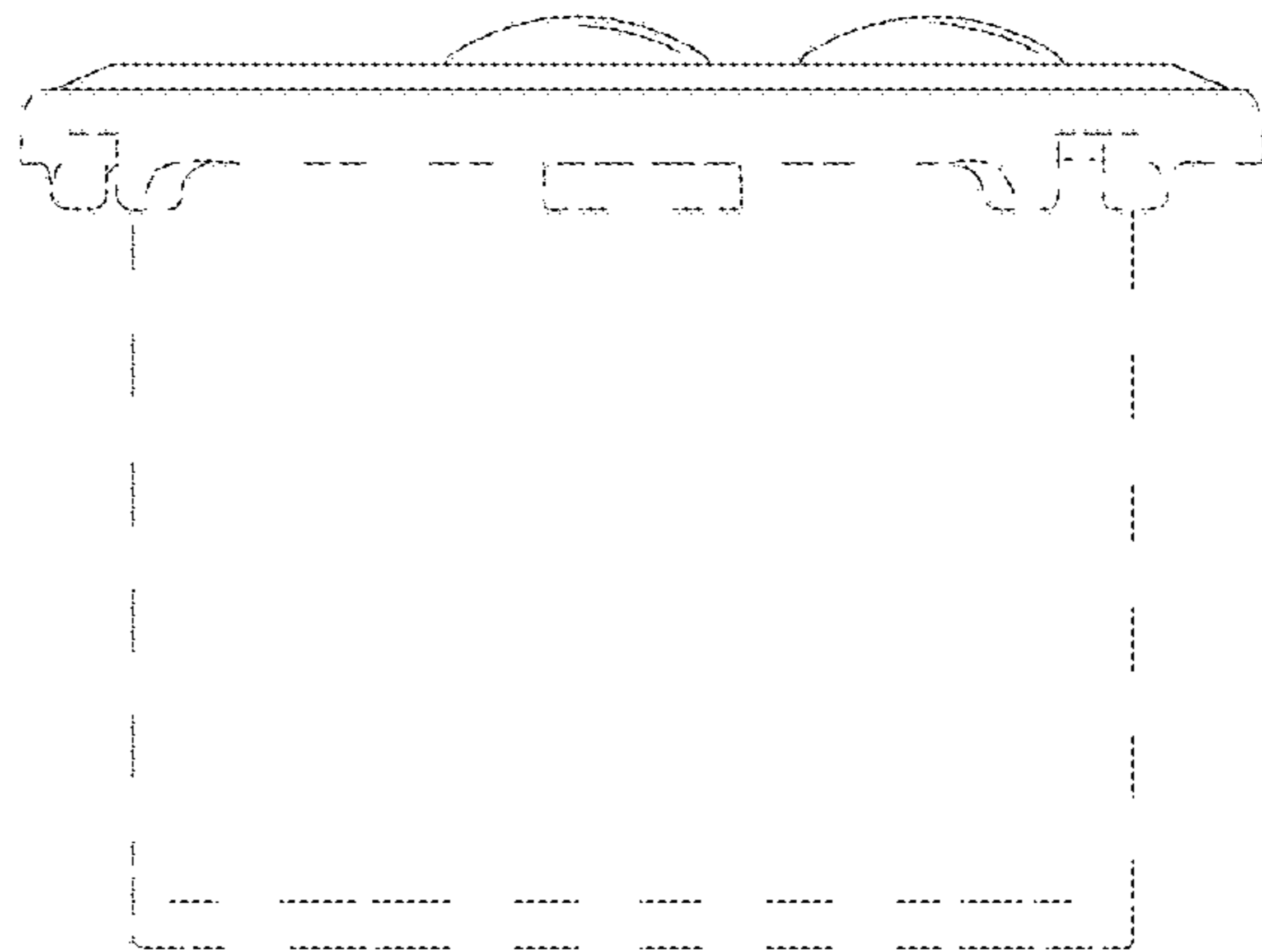


FIG. 6

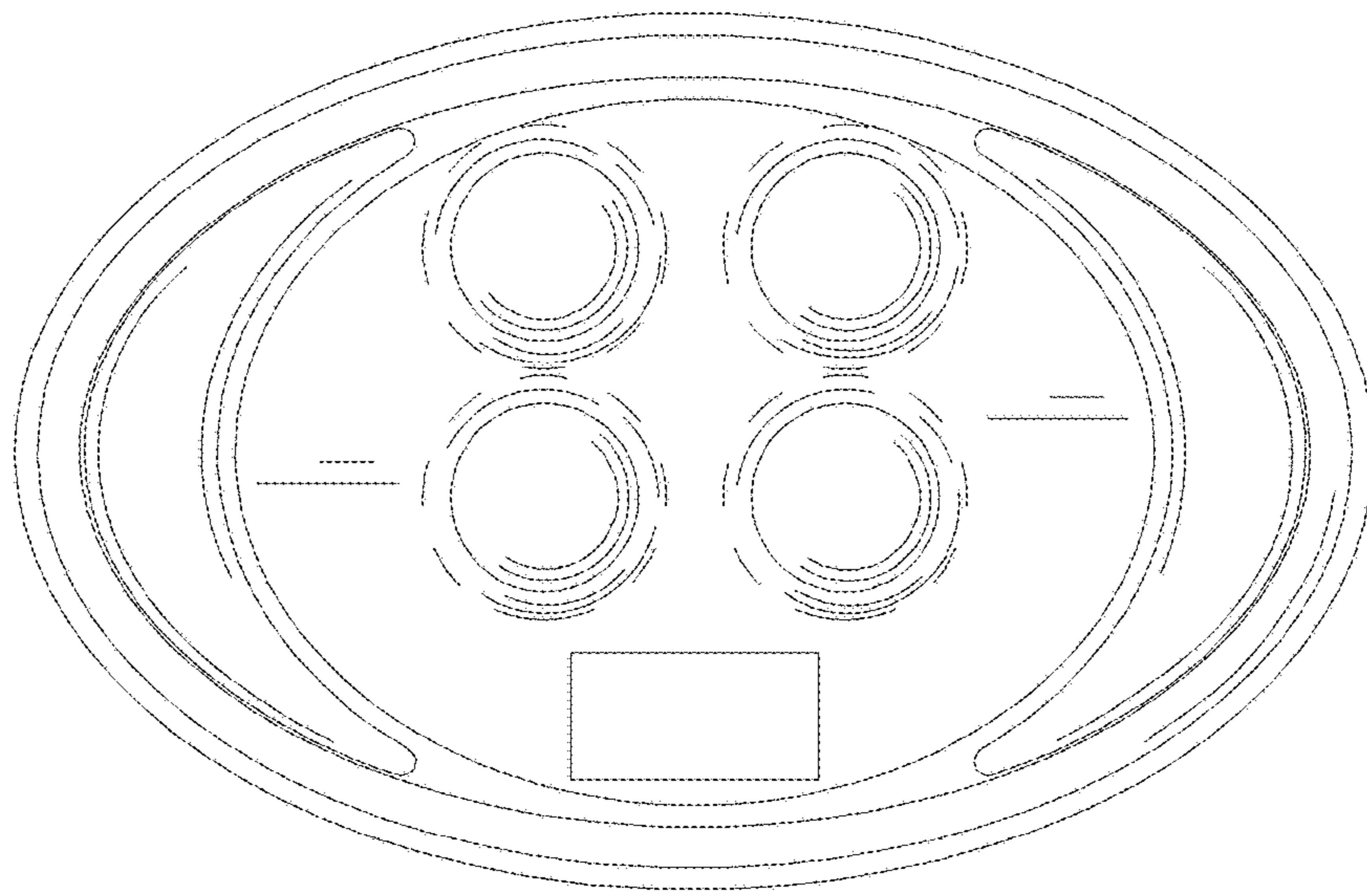
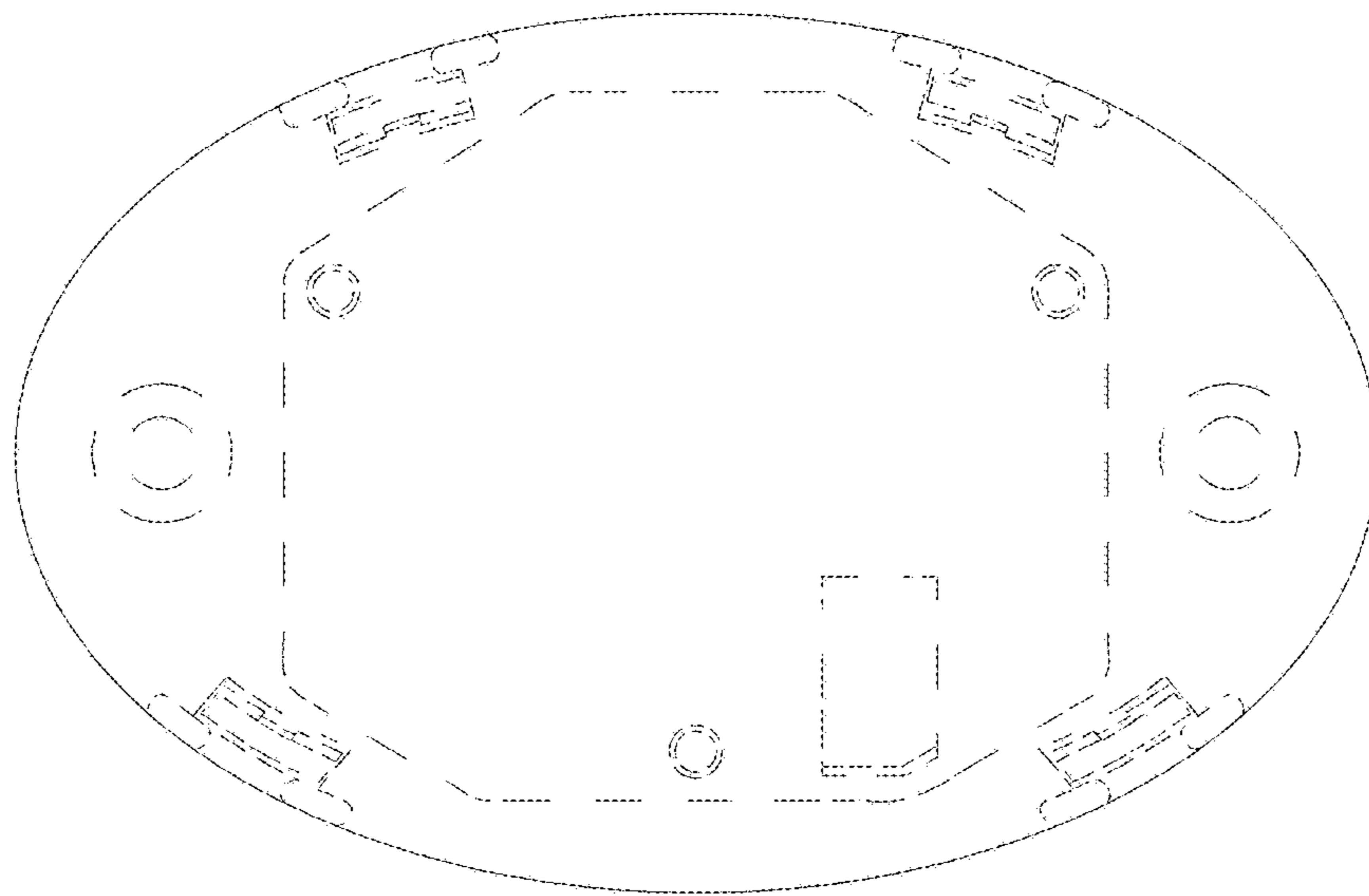


FIG. 7



UNITED STATES PATENT AND TRADEMARK OFFICE
CERTIFICATE OF CORRECTION

PATENT NO. : D832,796 S
APPLICATION NO. : 29/619211
DATED : November 6, 2018
INVENTOR(S) : Kenneth G. Seidl and Paul Li

Page 1 of 1

It is certified that error appears in the above-identified patent and that said Letters Patent is hereby corrected as shown below:

On the Title Page

Item (73), should read:

(73) Assignee: Raffel Systems, LLC, Germantown, WI (US)

Signed and Sealed this
First Day of January, 2019



Andrei Iancu
Director of the United States Patent and Trademark Office