



US00D832795S

(12) **United States Design Patent**
Maegawa

(10) **Patent No.:** **US D832,795 S**
(45) **Date of Patent:** **** Nov. 6, 2018**

- (54) **HERMETIC TERMINAL**
- (71) Applicant: **NEC SCHOTT Components Corporation, Koka-shi (JP)**
- (72) Inventor: **Yusuke Maegawa, Koka (JP)**
- (73) Assignee: **SCHOTT Japan Corporation, Koka-shi, Shiga (JP)**
- (**) Term: **15 Years**
- (21) Appl. No.: **29/591,113**
- (22) Filed: **Jan. 17, 2017**
- (51) **LOC (11) Cl.** **13-03**
- (52) **U.S. Cl.**
USPC **D13/156**
- (58) **Field of Classification Search**
USPC D13/151, 155, 156, 120, 133, 134, 146;
D15/9
CPC .. H01R 13/52; H01R 13/523; H01R 13/5205;
H01R 13/521; H01R 13/5227; H01R
13/5219; H01B 17/303; H01B 17/305;
Y10T 29/4998
See application file for complete search history.

- (56) **References Cited**
U.S. PATENT DOCUMENTS
3,551,191 A * 12/1970 Goldberg H01R 13/53
174/152 GM
3,721,948 A * 3/1973 Brandt H01B 17/305
174/152 GM
6,114,633 A * 9/2000 Duhancik H01R 13/521
174/135
D708,147 S * 7/2014 Auguste D13/156
D708,148 S * 7/2014 Auguste D13/156
D717,246 S * 11/2014 Ilkhanov D13/120
D720,301 S 12/2014 Schuckmann et al.
D730,288 S * 5/2015 Ilkhanov D13/120
D740,232 S * 10/2015 Auguste D13/156
D749,515 S 2/2016 Schuckmann et al.

- D749,516 S 2/2016 Schuckmann et al.
- D749,517 S 2/2016 Schuckmann et al.
- D756,929 S * 5/2016 Harck D13/146
- 2004/0029443 A1 * 2/2004 Quadir H01B 17/306
439/587
- 2014/0045369 A1 * 2/2014 Klaassen et al. H01R 13/521
439/519
- 2014/0120750 A1 * 5/2014 Johnson H01R 27/00
439/131

(Continued)

Primary Examiner — Jennifer Rivard
Assistant Examiner — Alison M Ofstun
(74) *Attorney, Agent, or Firm* — W. F. Fasse

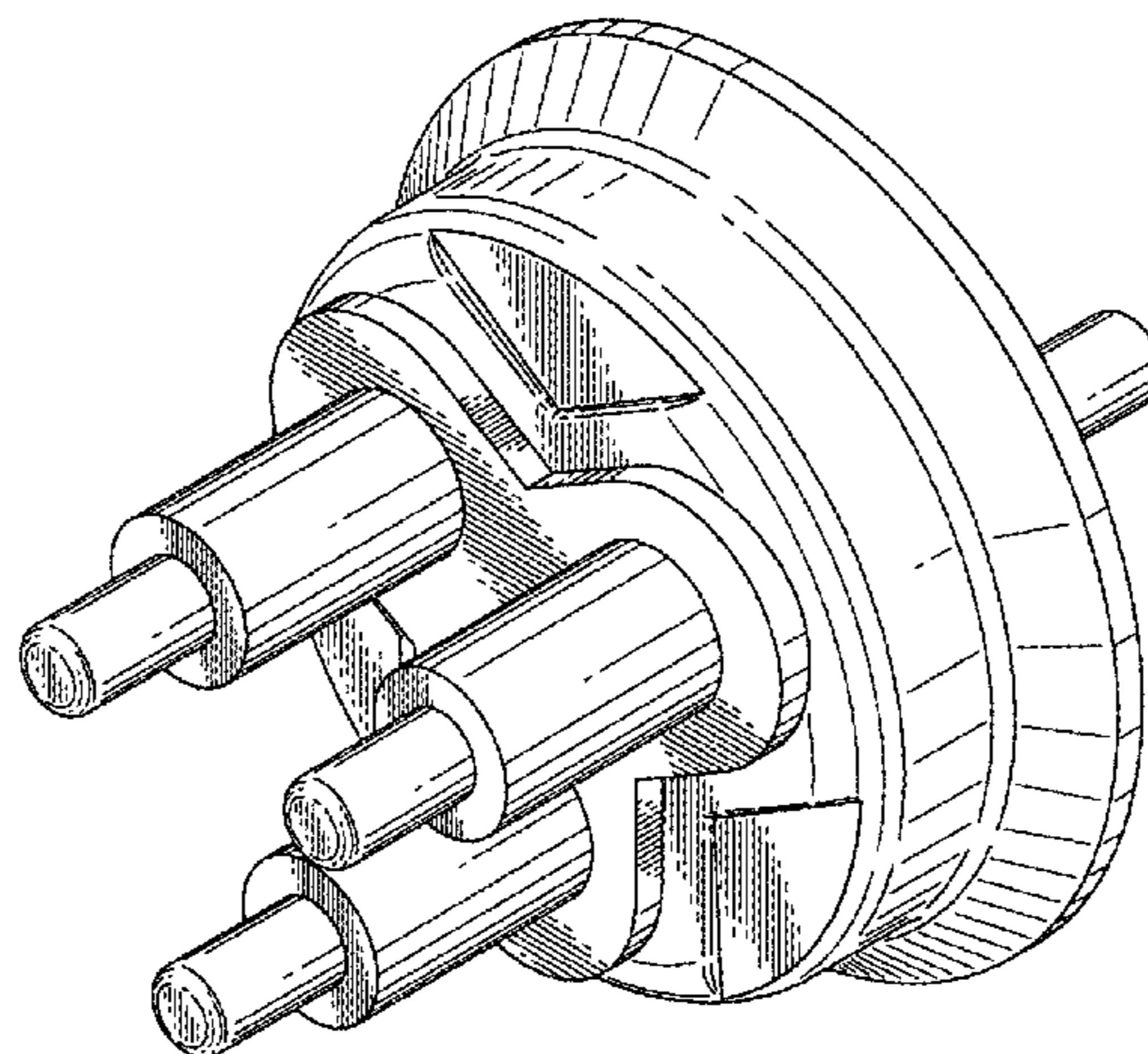
(57) **CLAIM**

The ornamental design for a hermetic terminal, as shown and described.

DESCRIPTION

FIG. 1 is a perspective view of a first embodiment of a hermetic terminal showing my new design;
FIG. 2 is a front view thereof;
FIG. 3 is a rear view thereof;
FIG. 4 is a top view thereof;
FIG. 5 is a bottom view thereof;
FIG. 6 is a right view thereof;
FIG. 7 is a left view thereof;
FIG. 8 is a cross sectional view taken along line VIII-VIII of FIG. 2;
FIG. 9 is a perspective view of a second embodiment of a hermetic terminal showing my new design;
FIG. 10 is a front view thereof;
FIG. 11 is a rear view thereof;
FIG. 12 is a top view thereof;
FIG. 13 is a bottom view thereof;
FIG. 14 is a right view thereof;
FIG. 15 is a left view thereof; and,
FIG. 16 is a cross sectional view taken along line XVI-XVI of FIG. 10.

1 Claim, 8 Drawing Sheets



(56)

References Cited

U.S. PATENT DOCUMENTS

2016/0020547 A1* 1/2016 Khadkikar et al. .. H01R 13/521
439/587

* cited by examiner

FIG. 1

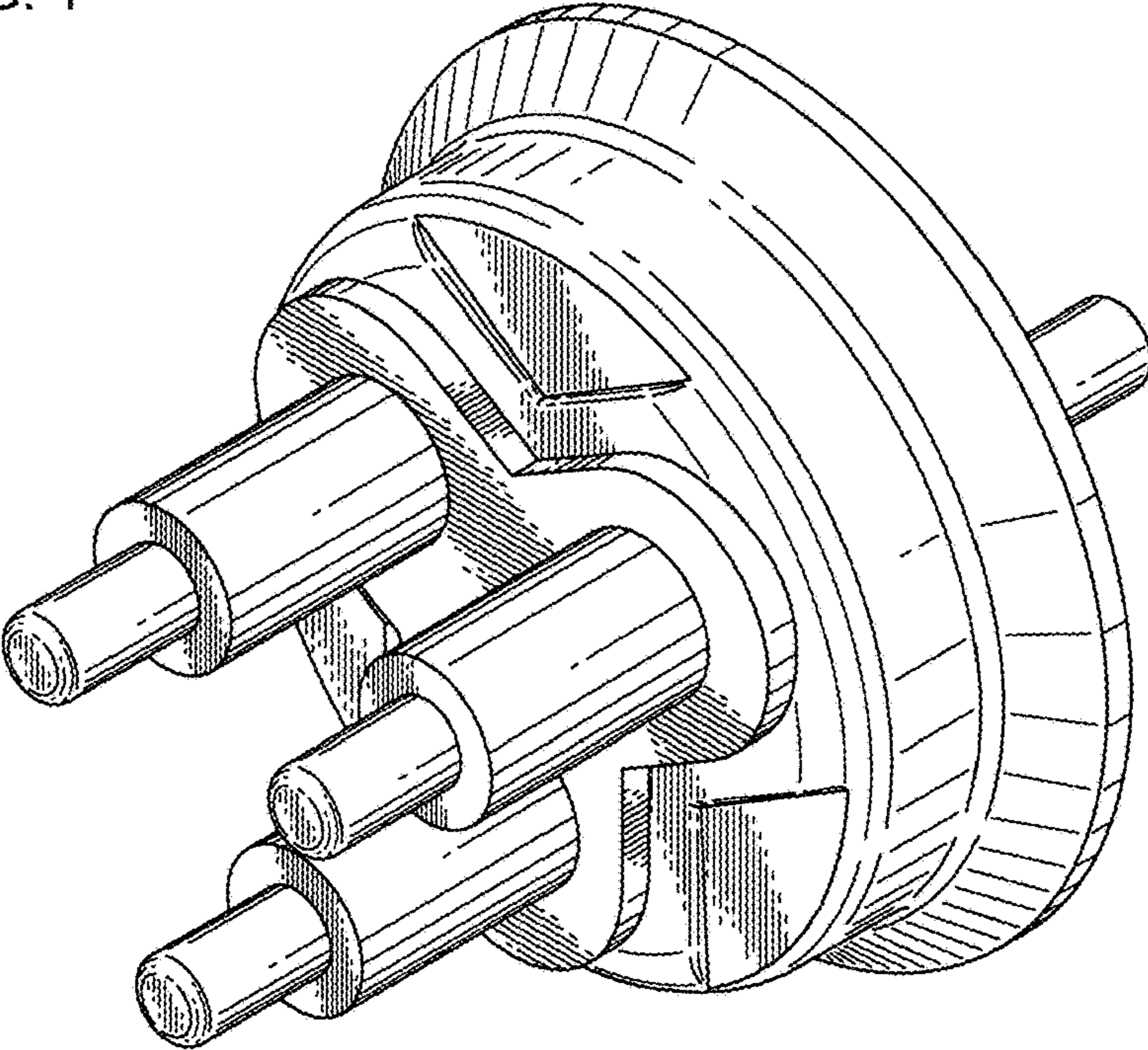


FIG. 2

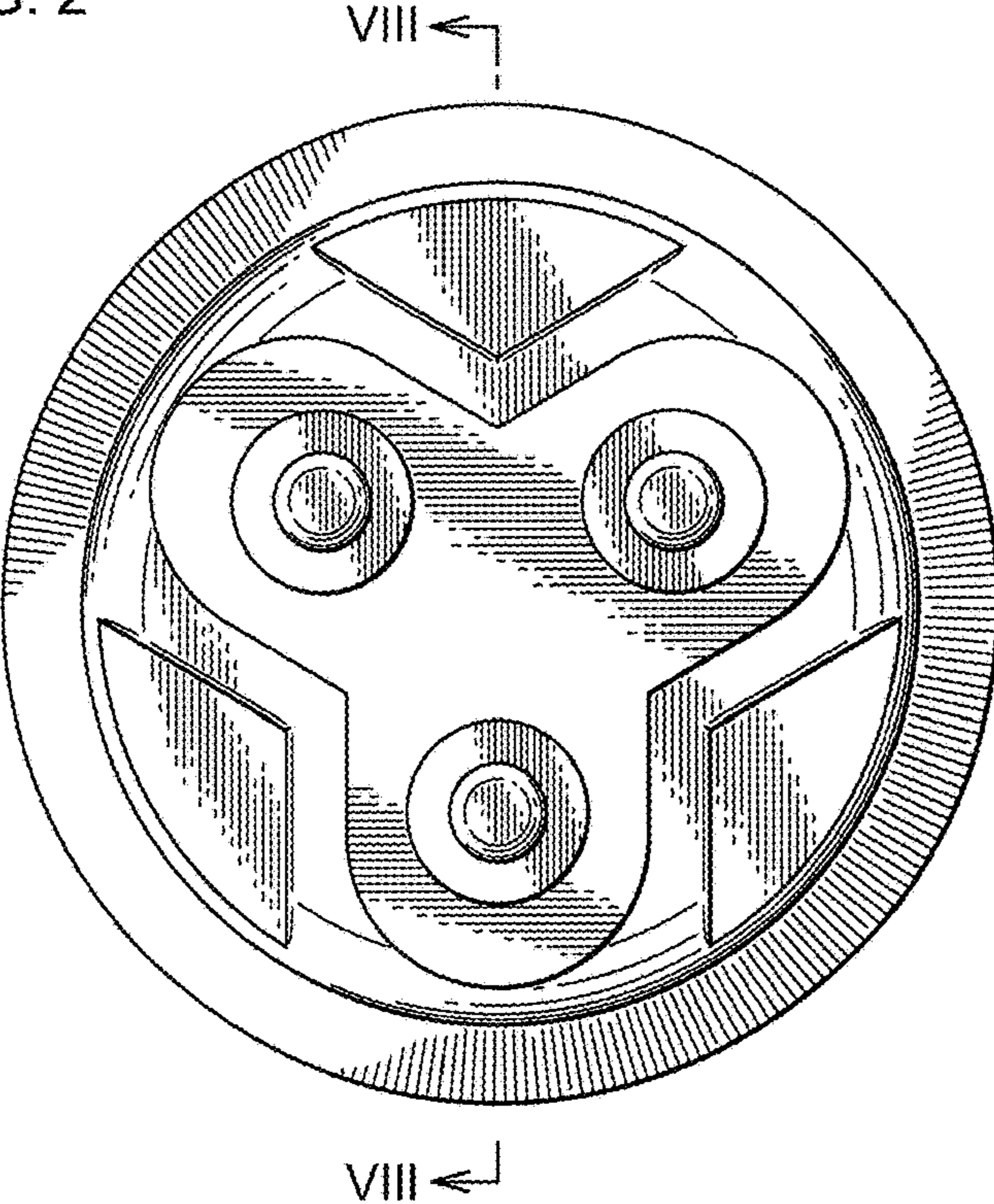


FIG. 3

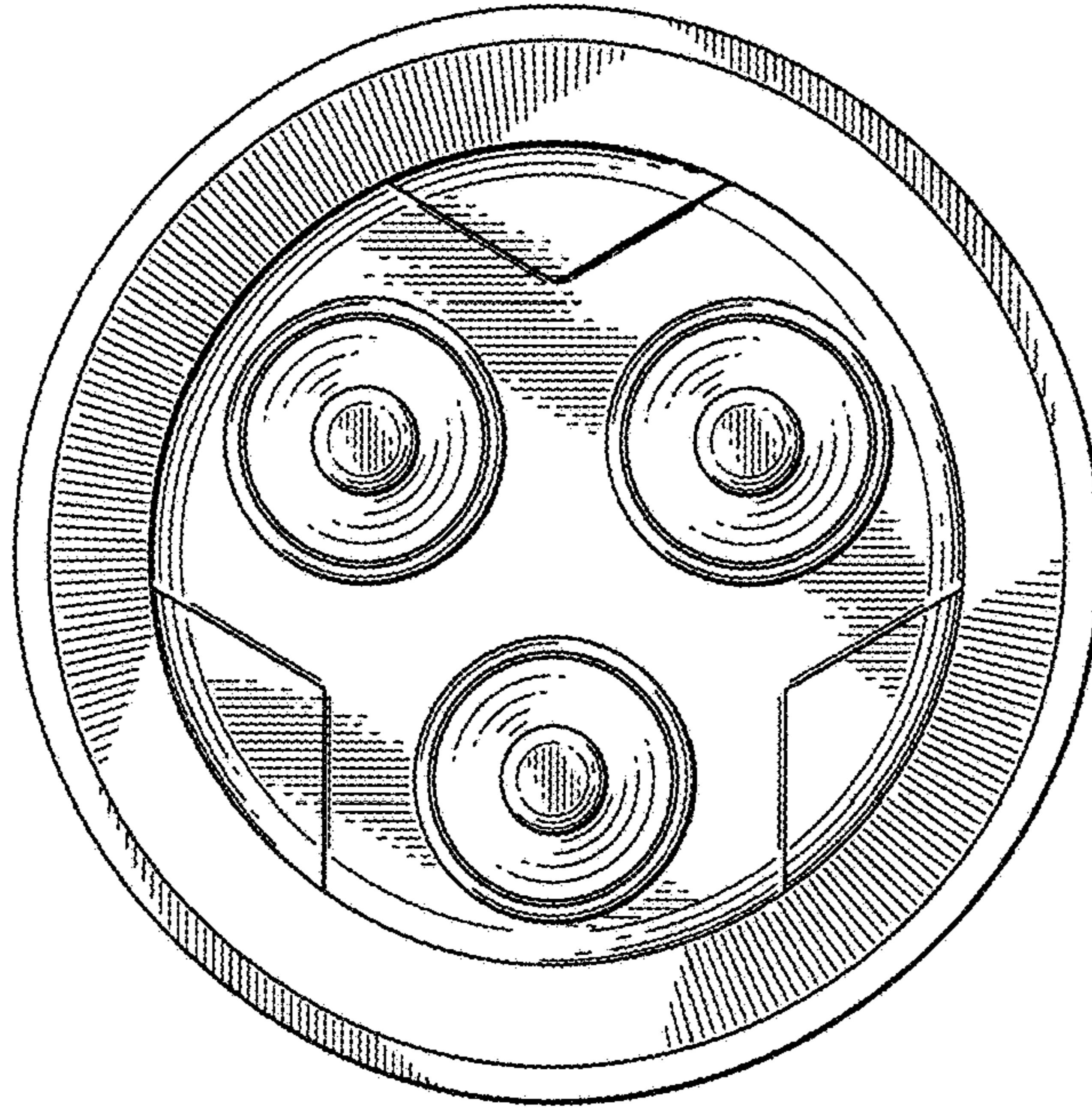


FIG. 4

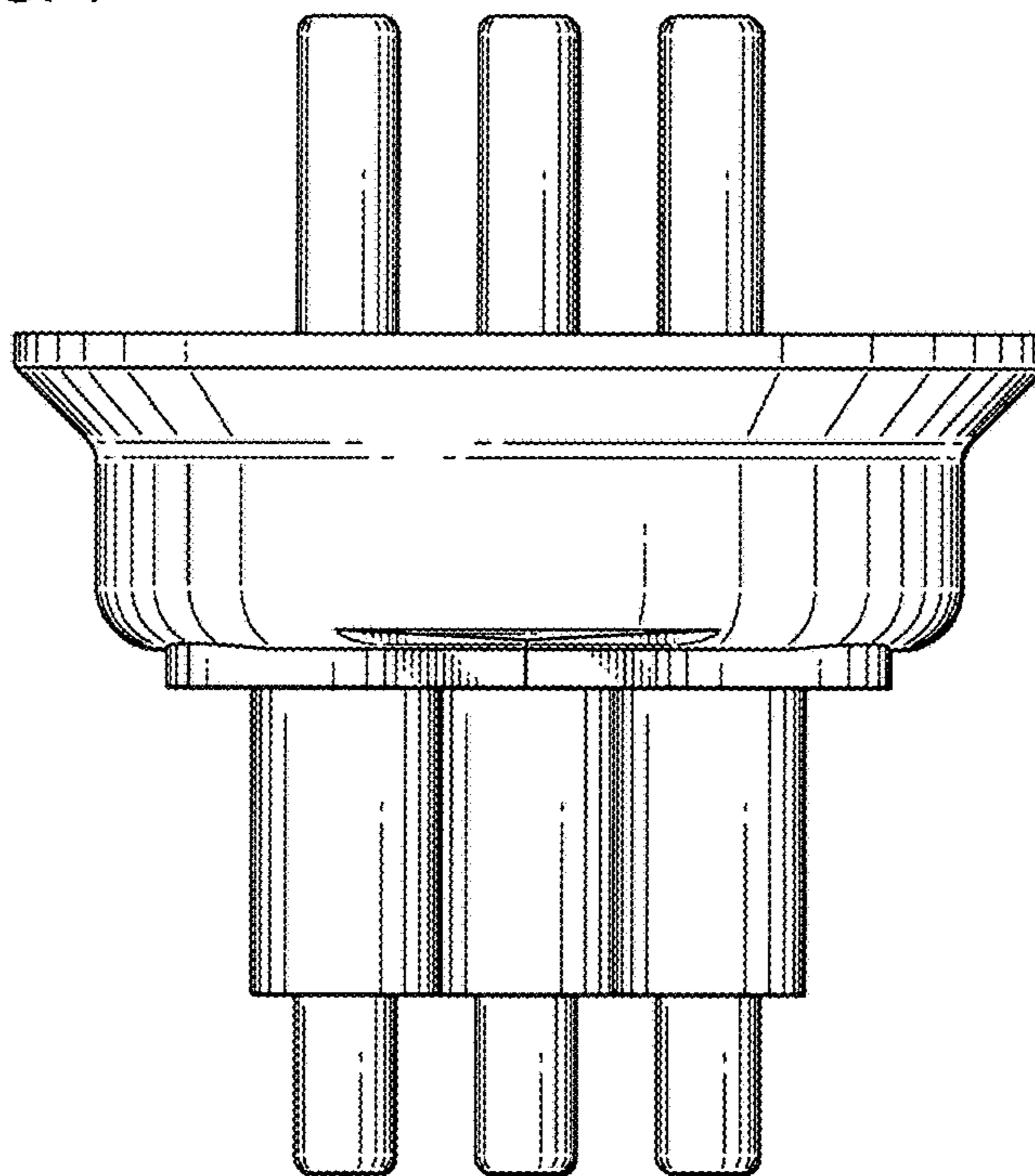


FIG. 5

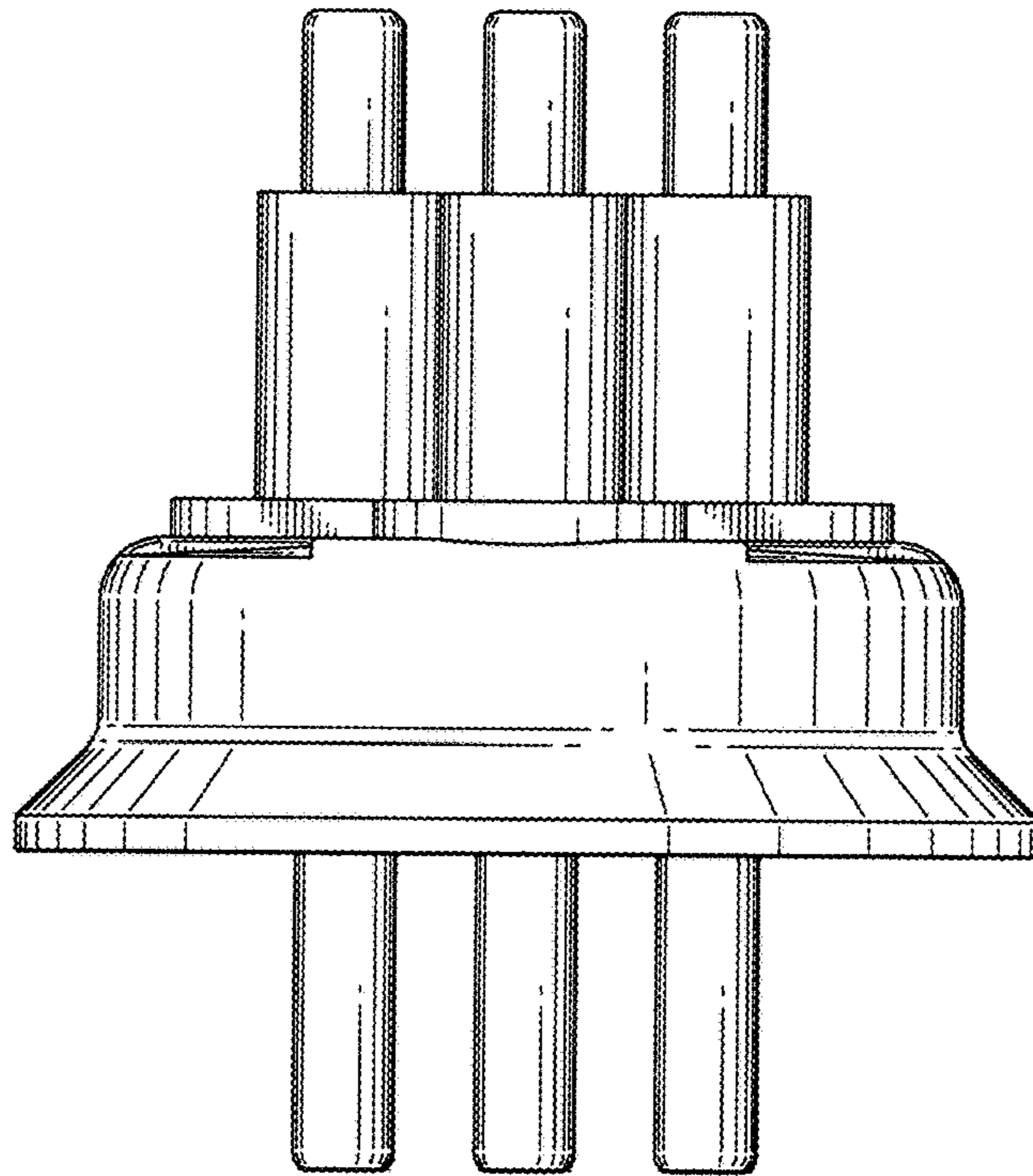


FIG. 6

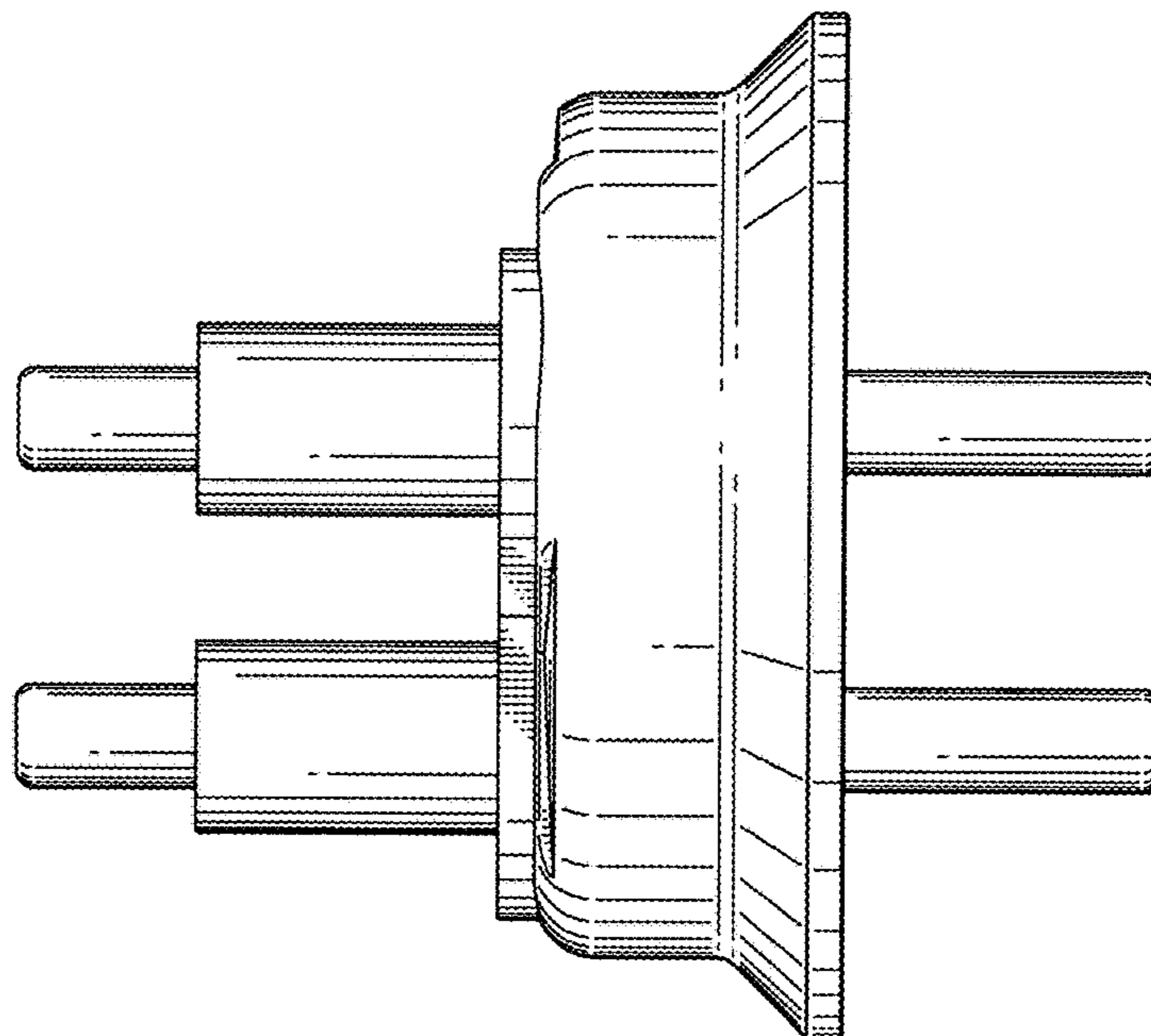


FIG. 7

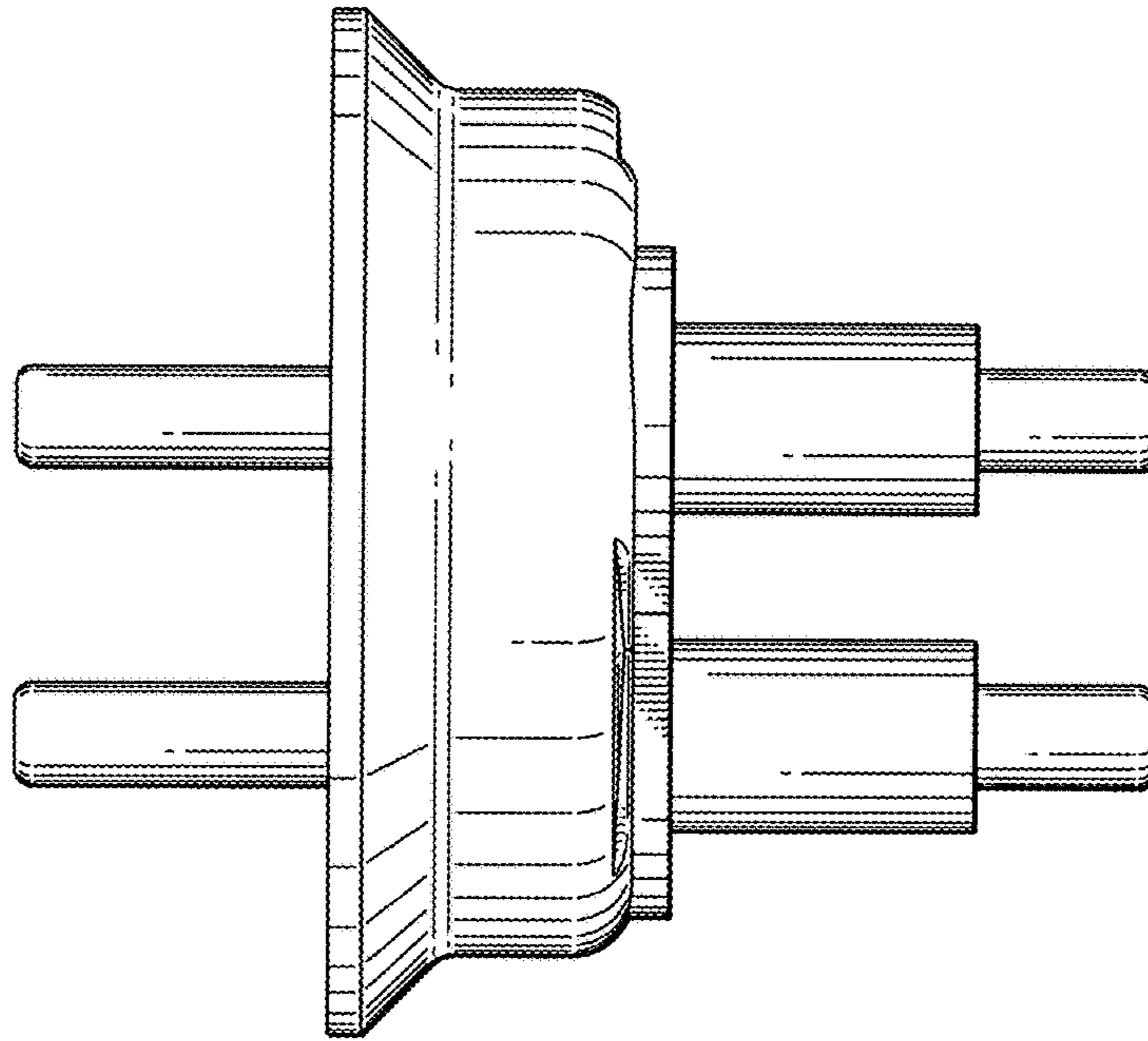


FIG. 8

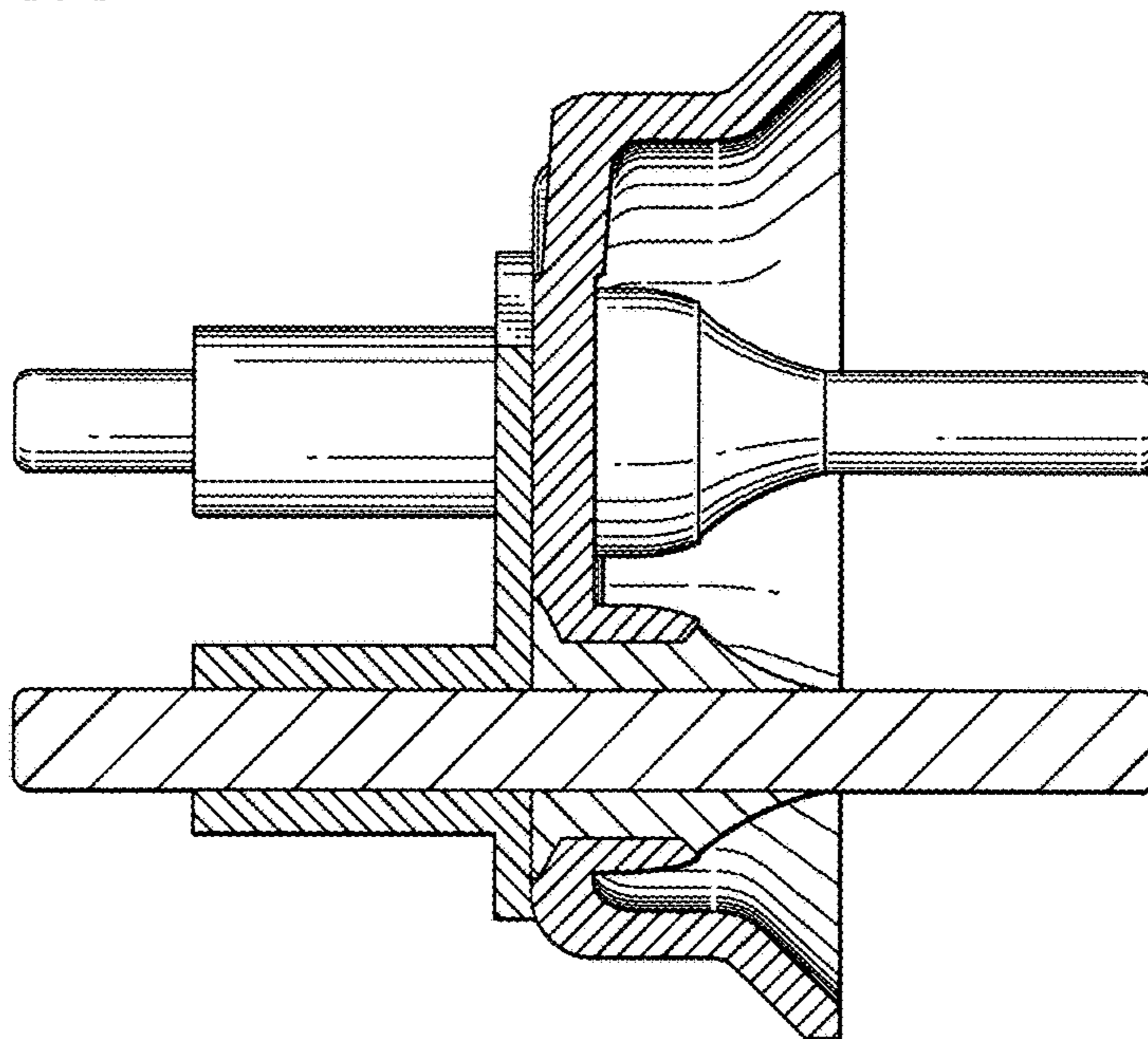


FIG. 9

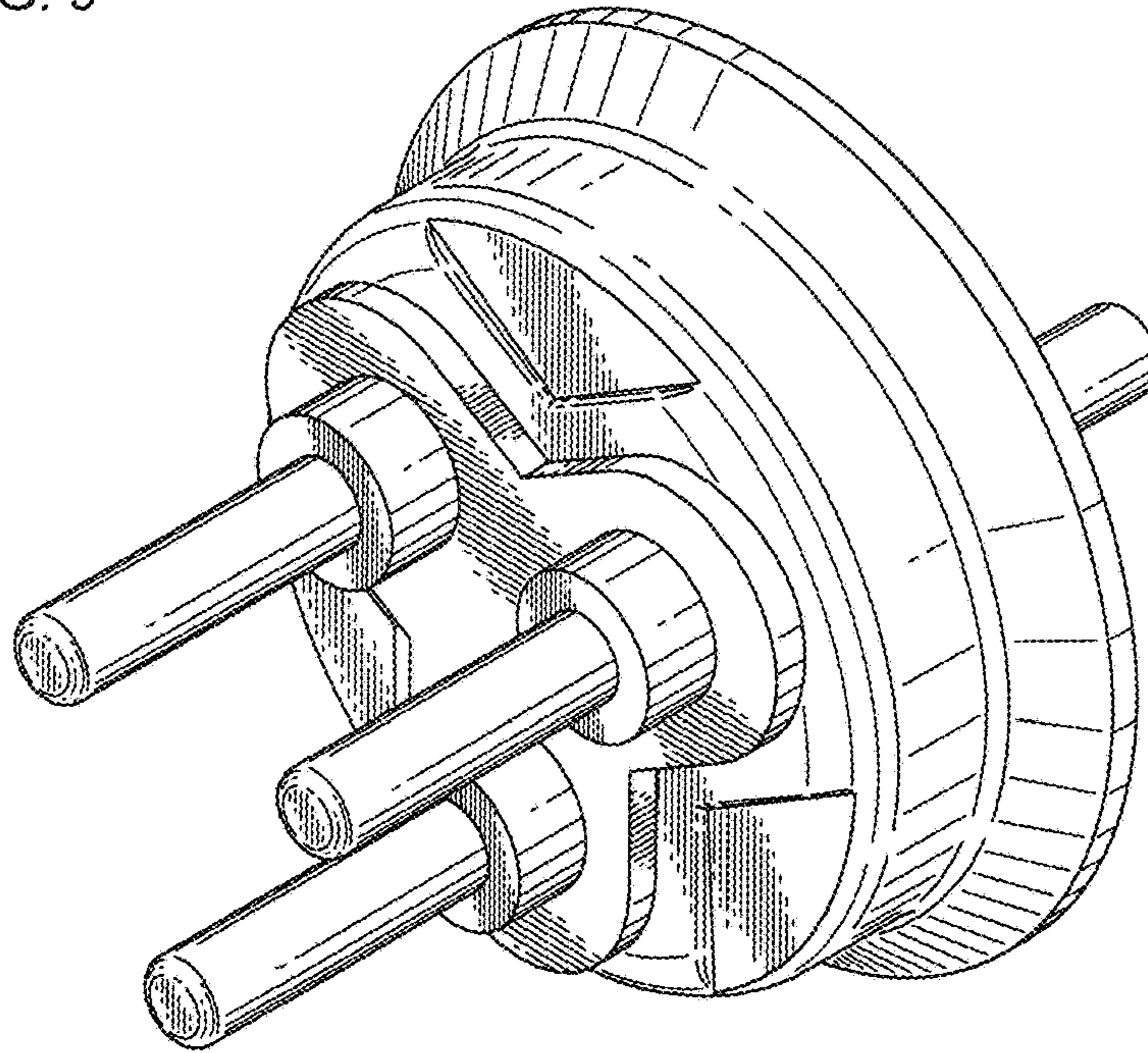


FIG. 10

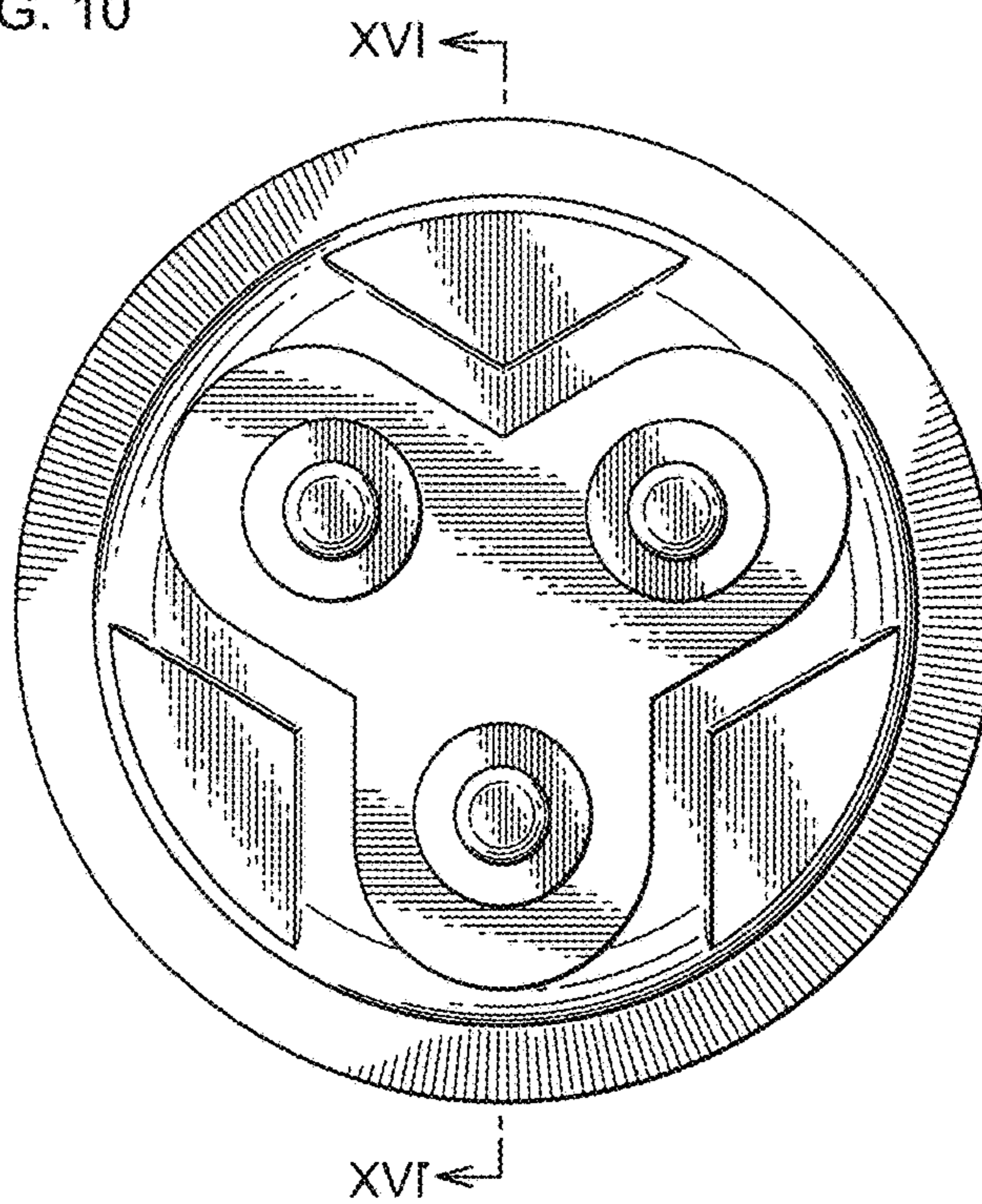


FIG. 11

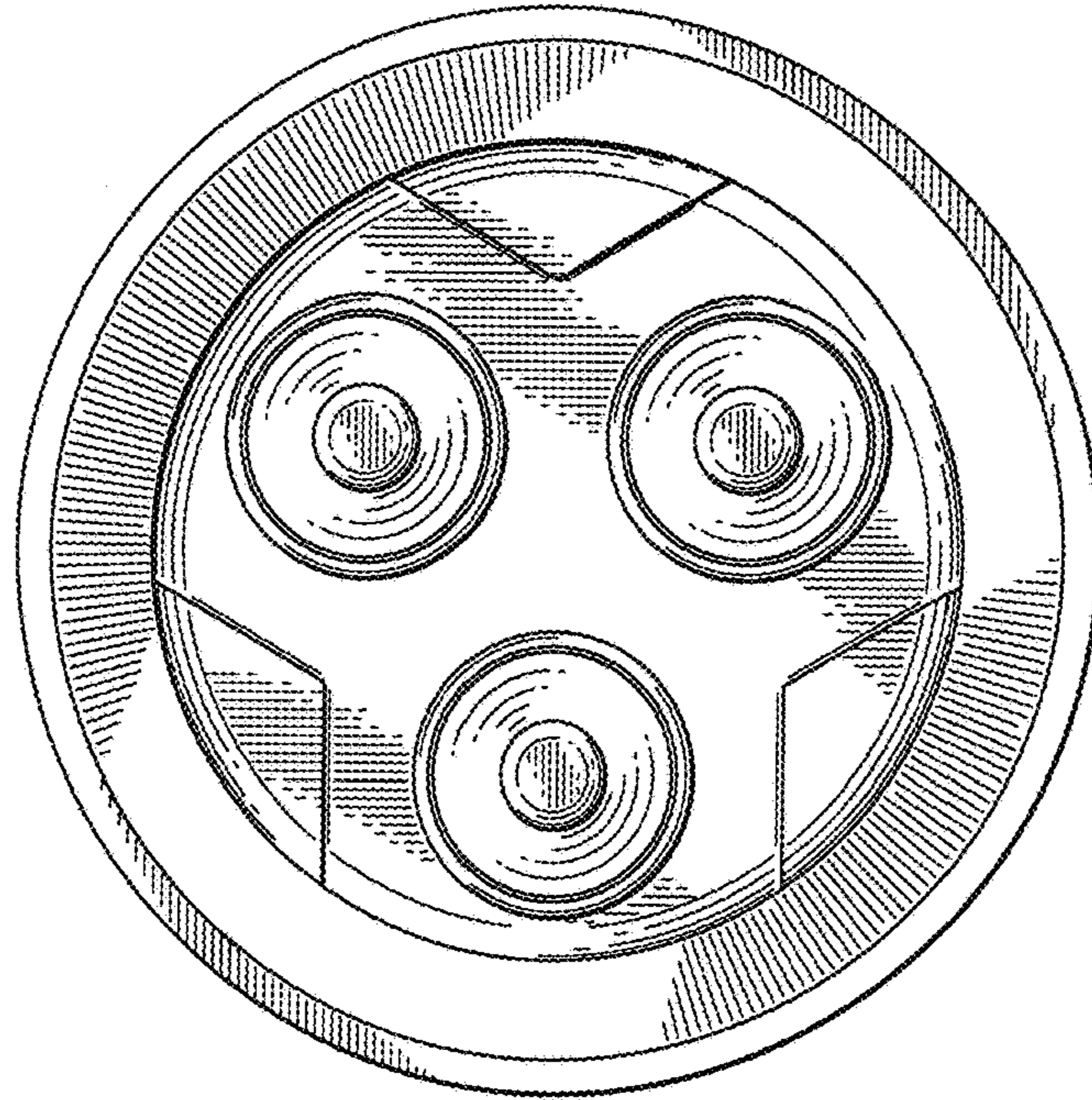


FIG. 12

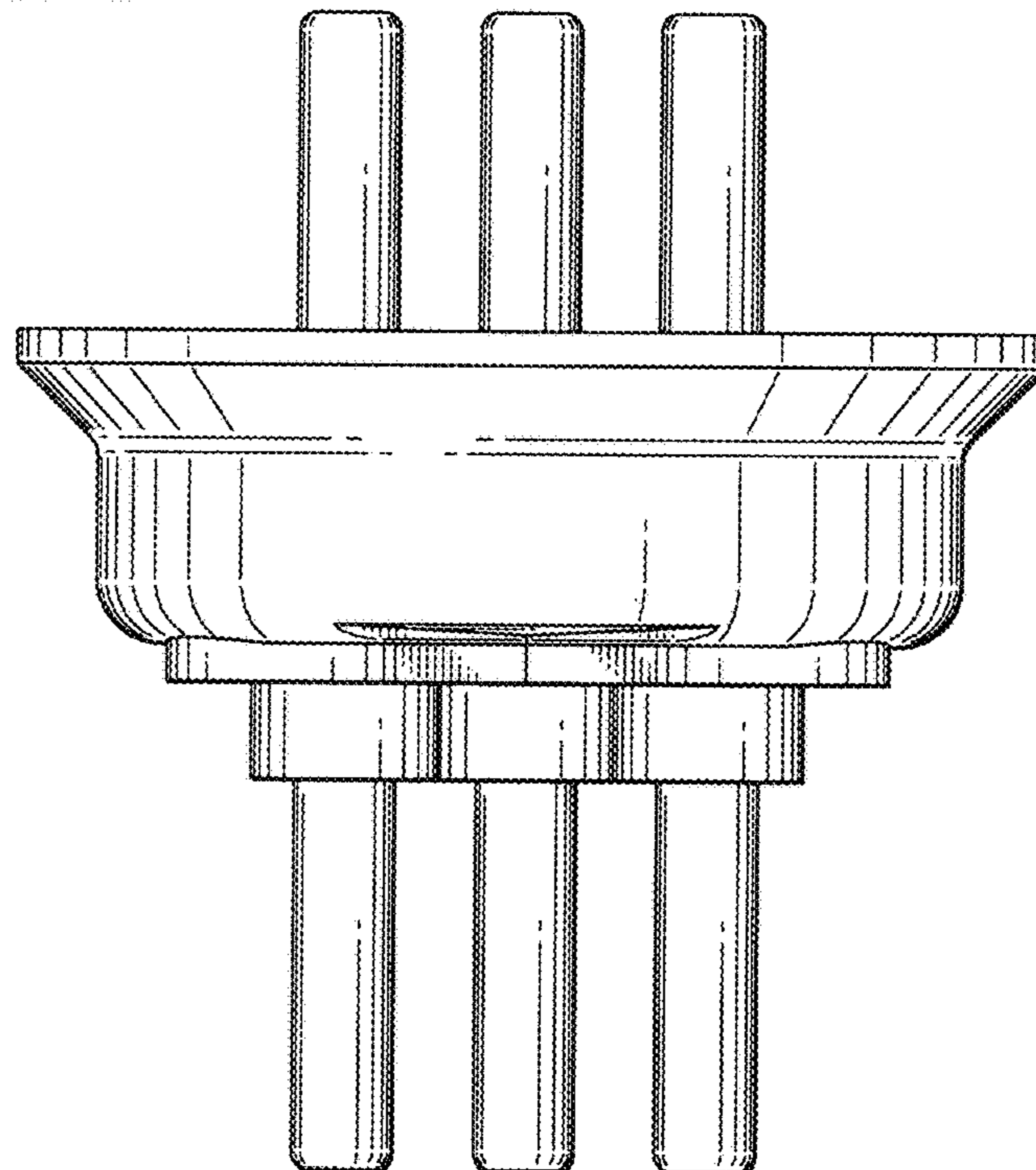


FIG. 13

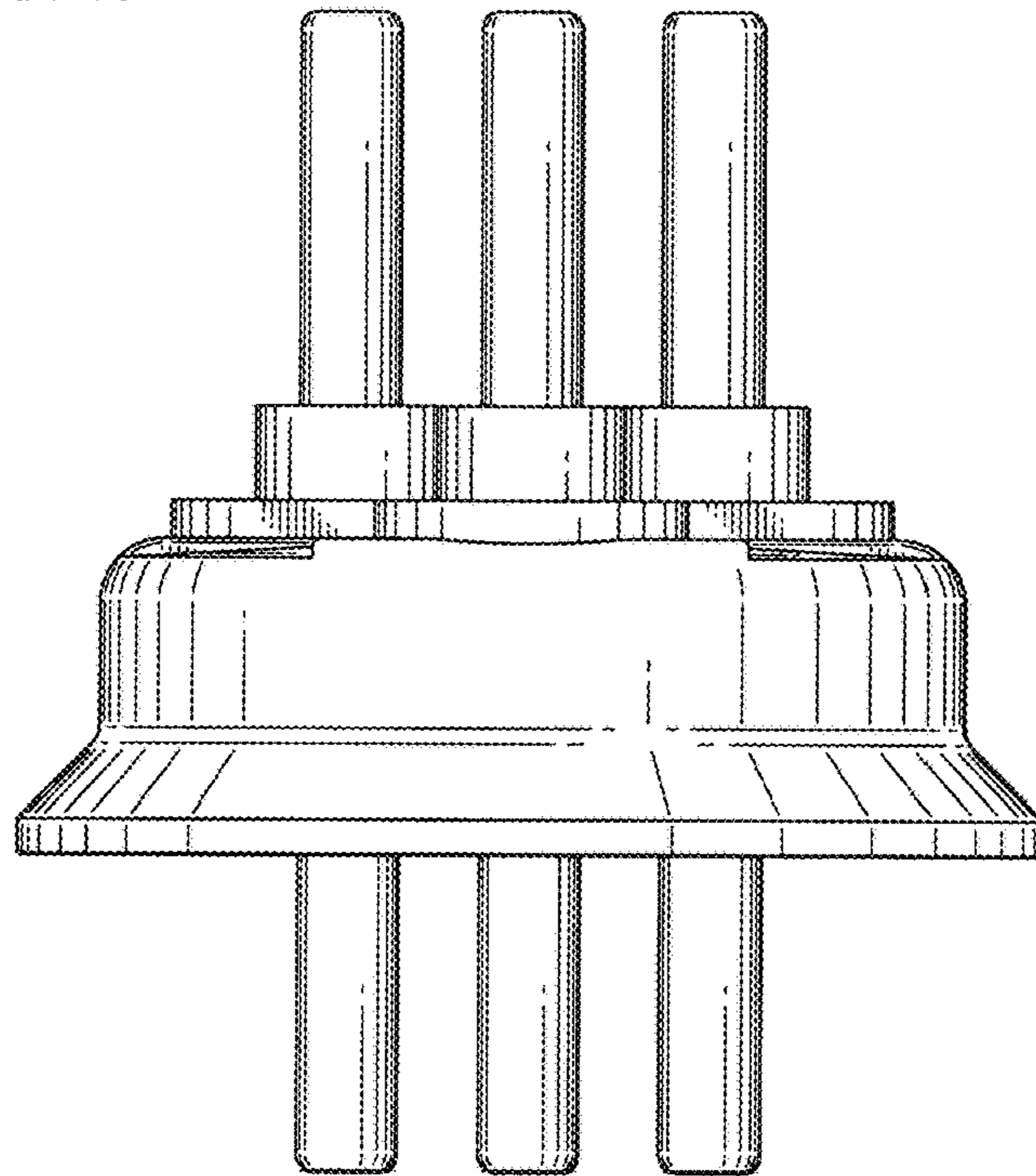


FIG. 14

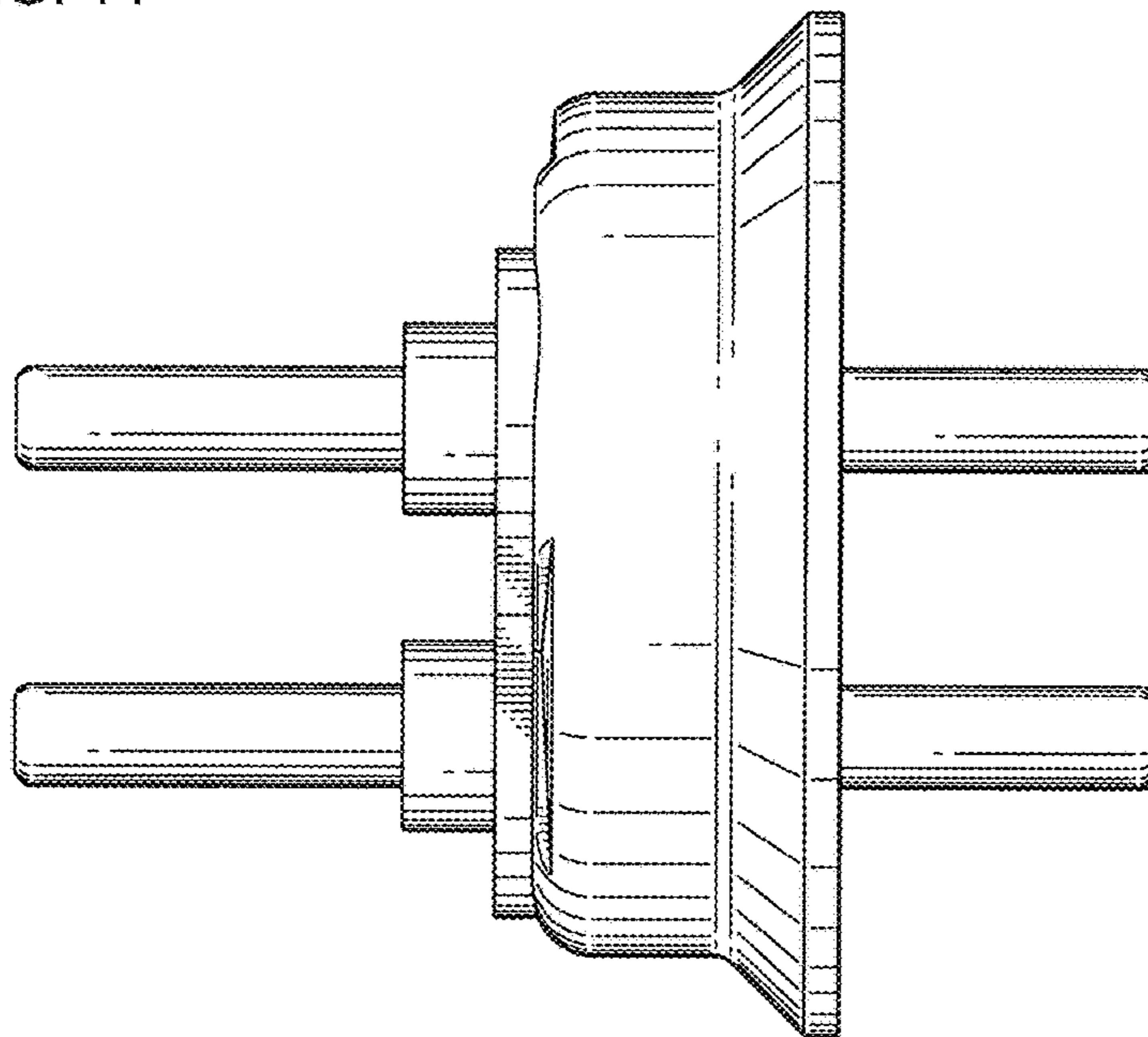


FIG. 15

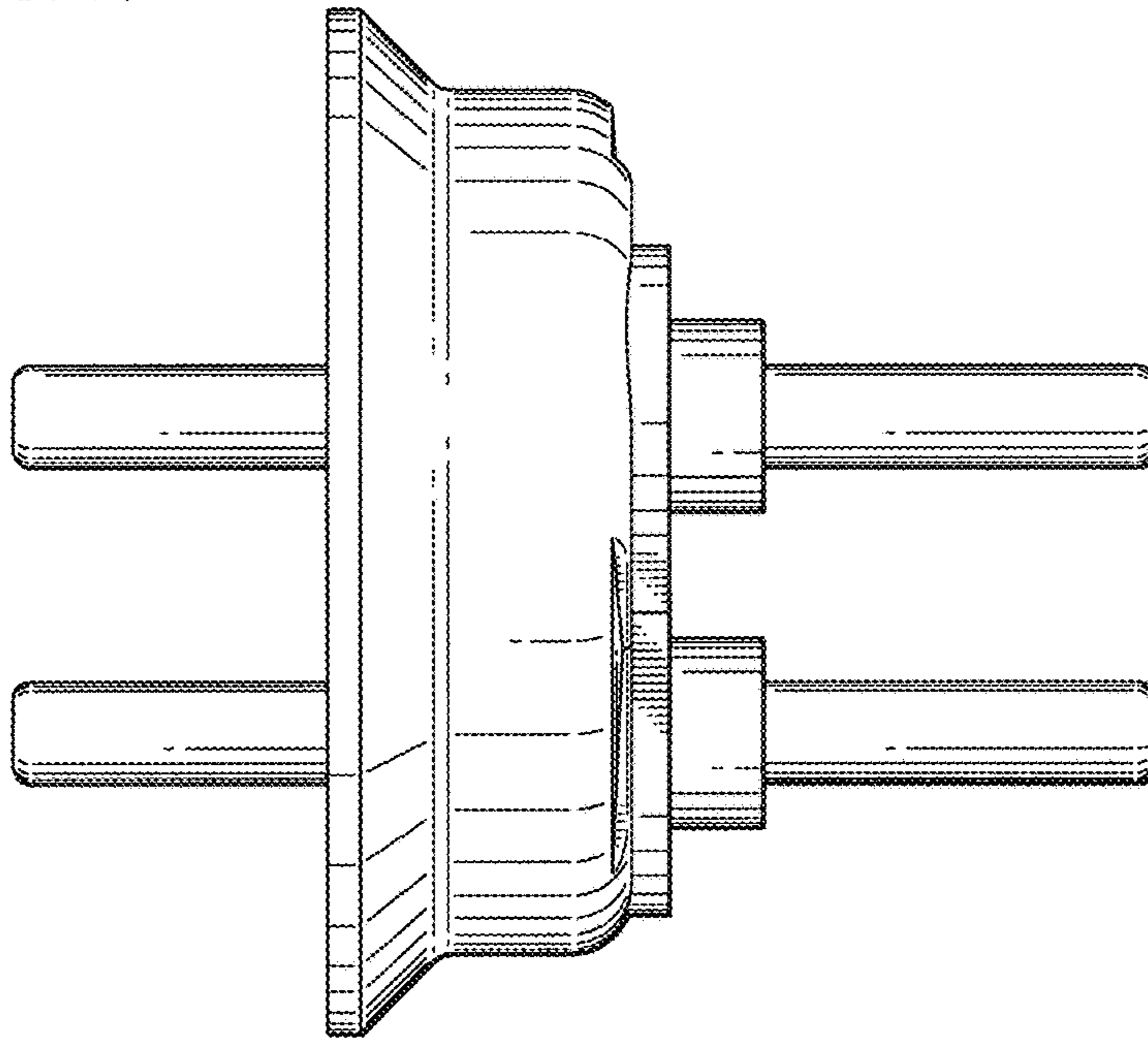
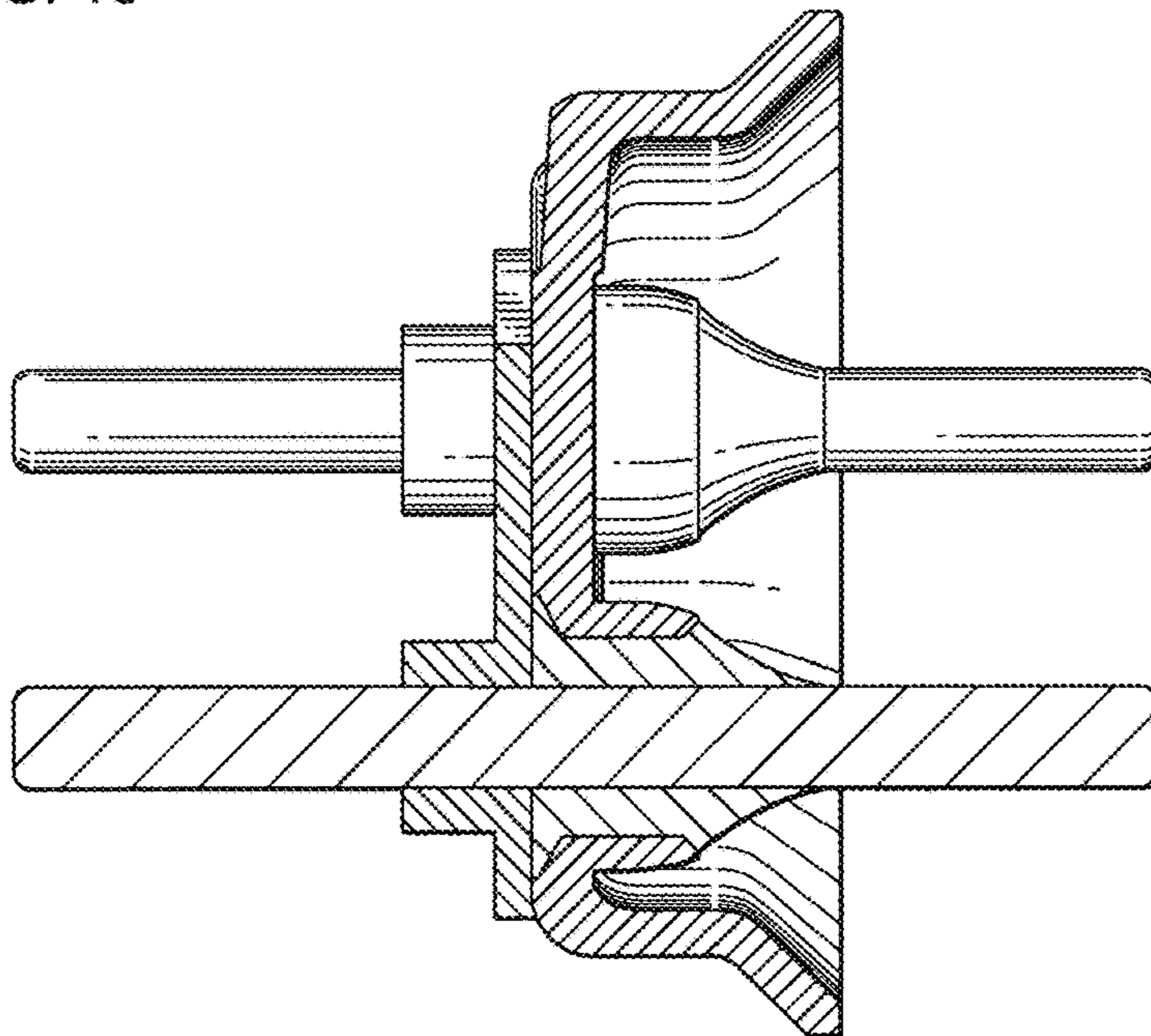


FIG. 16



UNITED STATES PATENT AND TRADEMARK OFFICE
CERTIFICATE OF CORRECTION

PATENT NO. : D832,795 S
APPLICATION NO. : 29/591113
DATED : November 6, 2018
INVENTOR(S) : Yusuke Maegawa

Page 1 of 1

It is certified that error appears in the above-identified patent and that said Letters Patent is hereby corrected as shown below:

On the Title Page

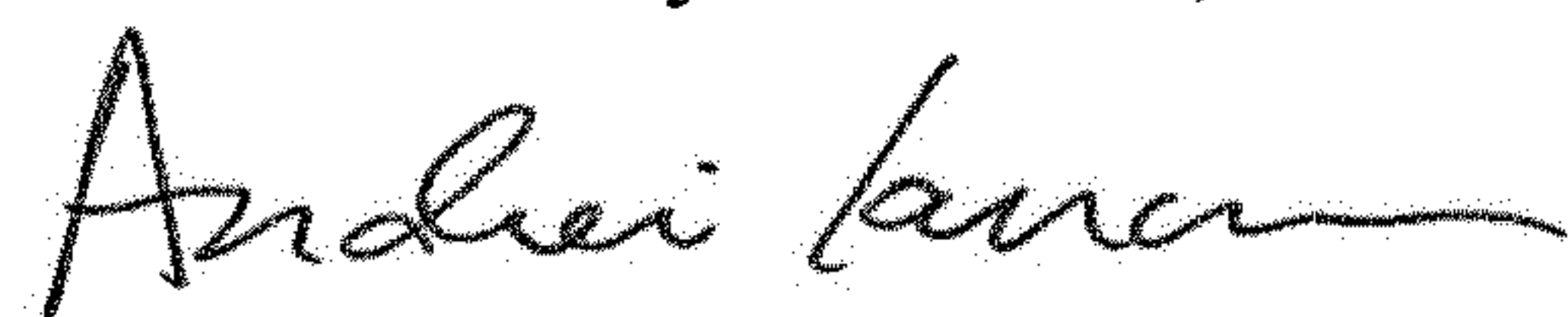
Item [71], Applicant:

Replace "NEC SCHOTT Components Corporation, Koka-shi (JP)" with --SCHOTT Japan Corporation, Koka-shi (JP)--;

Item [72], Inventor:

After "Koka", insert --shi--.

Signed and Sealed this
Twelfth Day of March, 2019



Andrei Iancu
Director of the United States Patent and Trademark Office