



US00D832794S

(12) **United States Design Patent** (10) **Patent No.:** **US D832,794 S**
Maegawa et al. (45) **Date of Patent:** **** Nov. 6, 2018**

(54) **HERMETIC TERMINAL**
(71) Applicant: **NEC SCHOTT Components Corporation, Koka-shi (JP)**
(72) Inventors: **Yusuke Maegawa, Koka (JP); Hidehiko Harada, Koka (JP)**
(73) Assignee: **SCHOTT Japan Corporation, Koka-shi, Shiga (JP)**

D749,516 S 2/2016 Schuckmann et al.
D749,517 S 2/2016 Schuckmann et al.
D756,929 S * 5/2016 Harck D13/146
2004/0029443 A1* 2/2004 Quadir H01B 17/306
439/587
2014/0045369 A1* 2/2014 Klaassen et al. H01R 13/521
439/519

(Continued)

(**) Term: **15 Years**

JP D1492814 3/2014
JP D1492815 3/2014

(Continued)

(21) Appl. No.: **29/591,107**

FOREIGN PATENT DOCUMENTS

(22) Filed: **Jan. 17, 2017**

OTHER PUBLICATIONS

(51) **LOC (11) Cl.** **13-03**

Japanese Examiner Shinichi Kitashiro, Japanese Office Action in Japanese Design Application No. 2016-025094, dated Jul. 3, 2017, 2 pages, with partial English translation, 2 pages.

(52) **U.S. Cl.**
USPC **D13/156**

(58) **Field of Classification Search**
USPC D13/151, 155, 156, 120, 133, 134, 146;
D15/9
CPC .. H01R 13/52; H01R 13/523; H01R 13/5205;
H01R 13/521; H01R 13/5227; H01R
13/5219; H01B 17/303; H01B 17/305;
Y10T 29/4998
See application file for complete search history.

Primary Examiner — Jennifer Rivard
Assistant Examiner — Alison M Ofstun
(74) *Attorney, Agent, or Firm* — W. F. Fasse

(57) **CLAIM**

The ornamental design for a hermetic terminal, as shown and described.

(56) **References Cited**

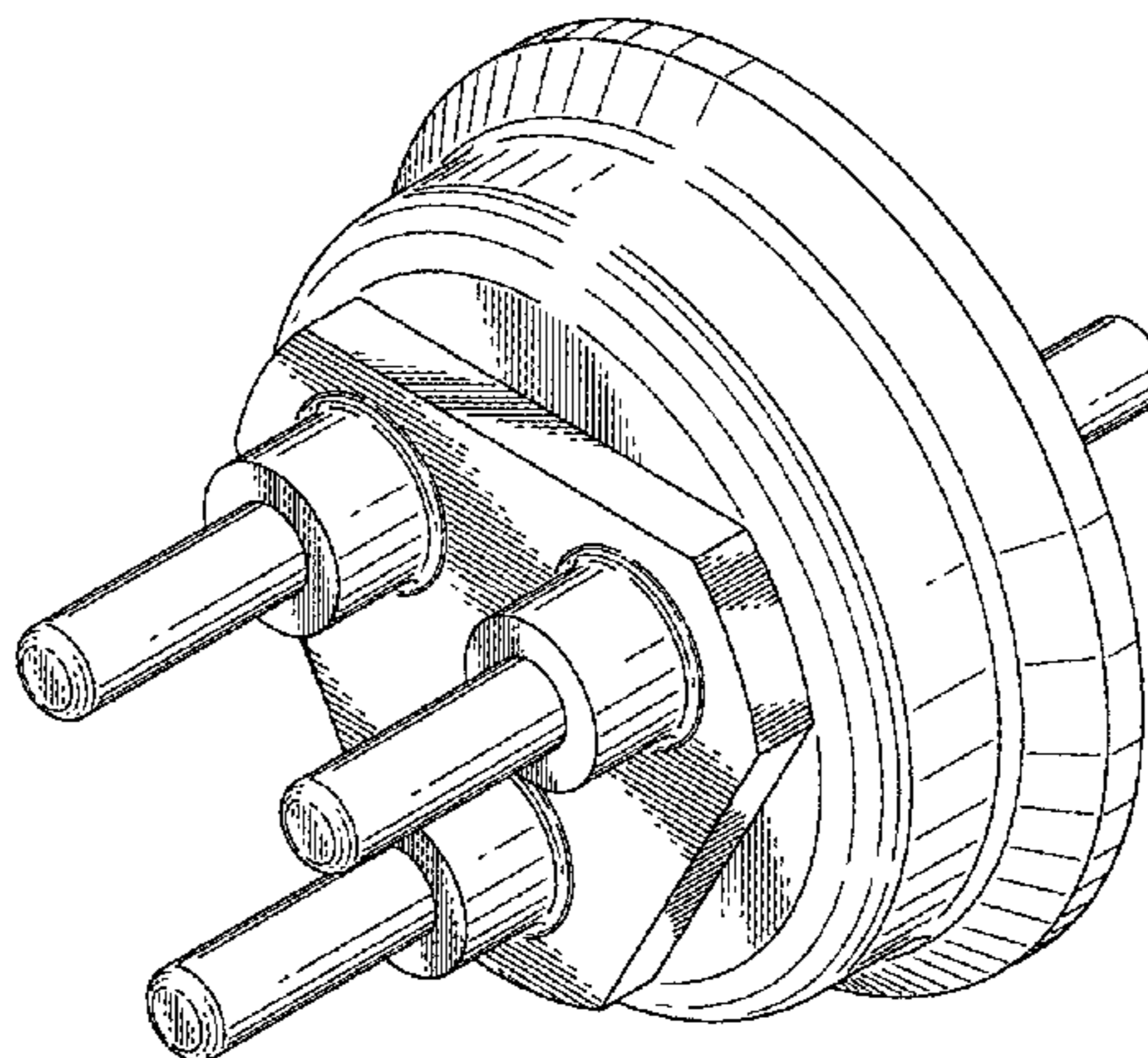
DESCRIPTION

U.S. PATENT DOCUMENTS

3,551,191 A * 12/1970 Goldberg H01R 13/53
174/152 GM
3,721,948 A * 3/1973 Brandt H01B 17/305
174/152 GM
6,114,633 A * 9/2000 Duhancik H01R 13/521
174/135
D708,147 S * 7/2014 Auguste D13/156
D708,148 S * 7/2014 Auguste D13/156
D717,246 S * 11/2014 Ilkhanov D13/120
D720,301 S 12/2014 Schuckmann et al.
D730,288 S * 5/2015 Ilkhanov D13/120
D740,232 S * 10/2015 Auguste D13/156
D749,515 S 2/2016 Schuckmann et al.

FIG. 1 is a perspective view of a hermetic terminal showing our new design;
FIG. 2 is a front view thereof;
FIG. 3 is a rear view thereof;
FIG. 4 is a top view thereof;
FIG. 5 is a bottom view thereof;
FIG. 6 is a right view thereof;
FIG. 7 is a left view thereof; and,
FIG. 8 is a cross sectional view taken along line VIII-VIII of FIG. 2.

1 Claim, 4 Drawing Sheets



(56)

References Cited

U.S. PATENT DOCUMENTS

2014/0120750 A1* 5/2014 Johnson H01R 27/00
439/131
2016/0020547 A1* 1/2016 Khadkikar et al. .. H01R 13/521
439/587

FOREIGN PATENT DOCUMENTS

KR D30-0727906-2 1/2014
KR D30-0727906-3 1/2014

* cited by examiner

FIG.1

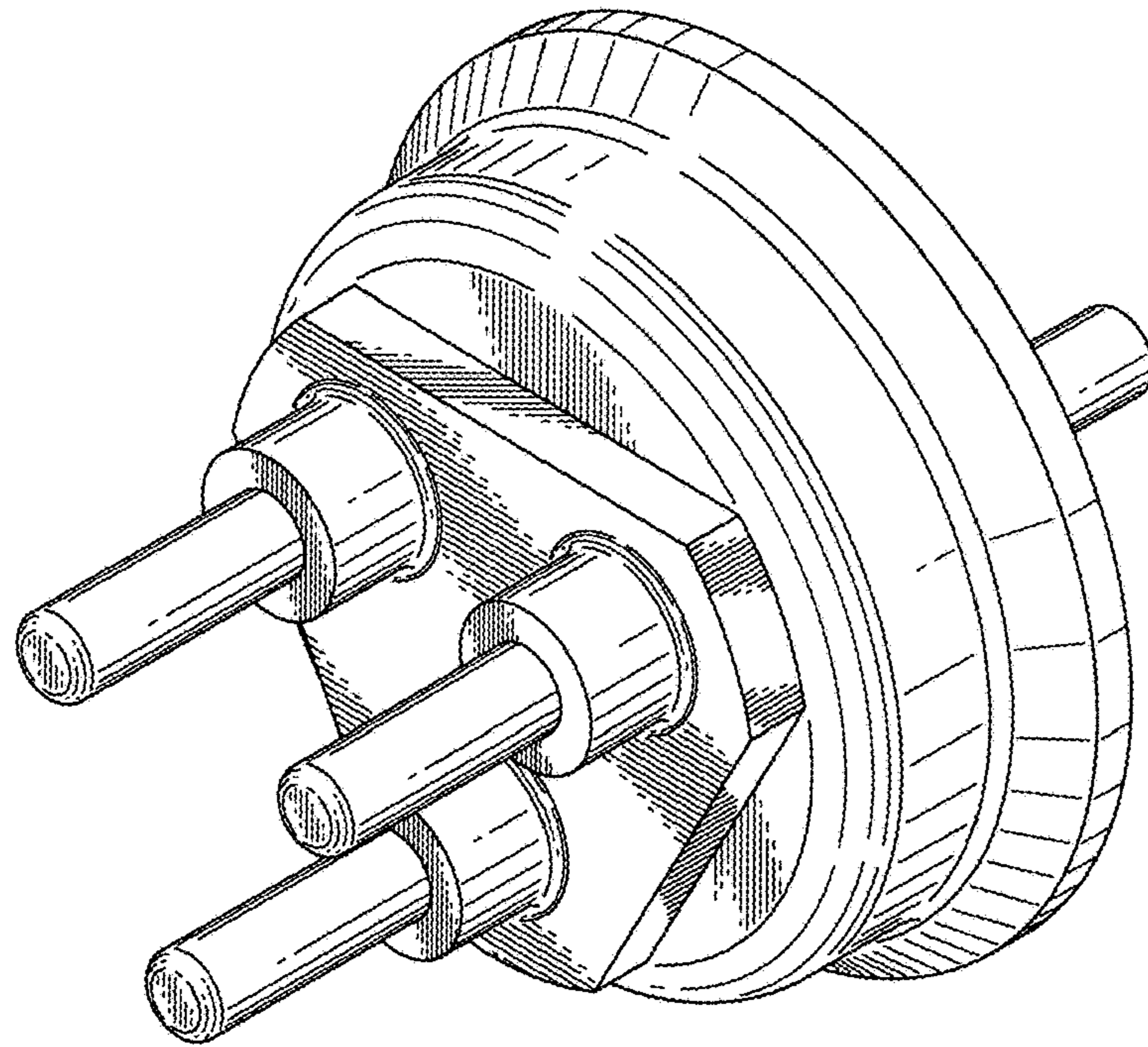


FIG.2

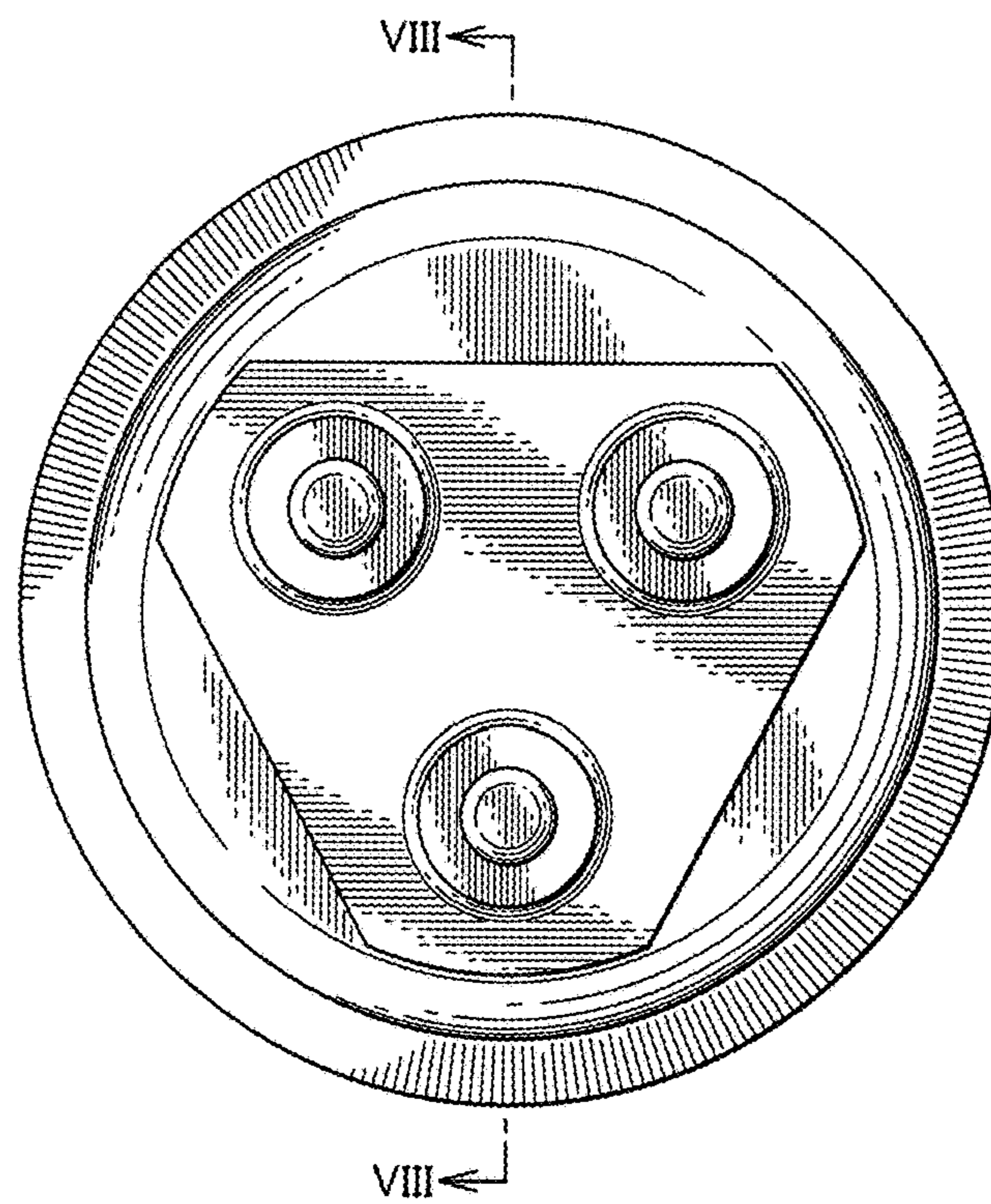


FIG.3

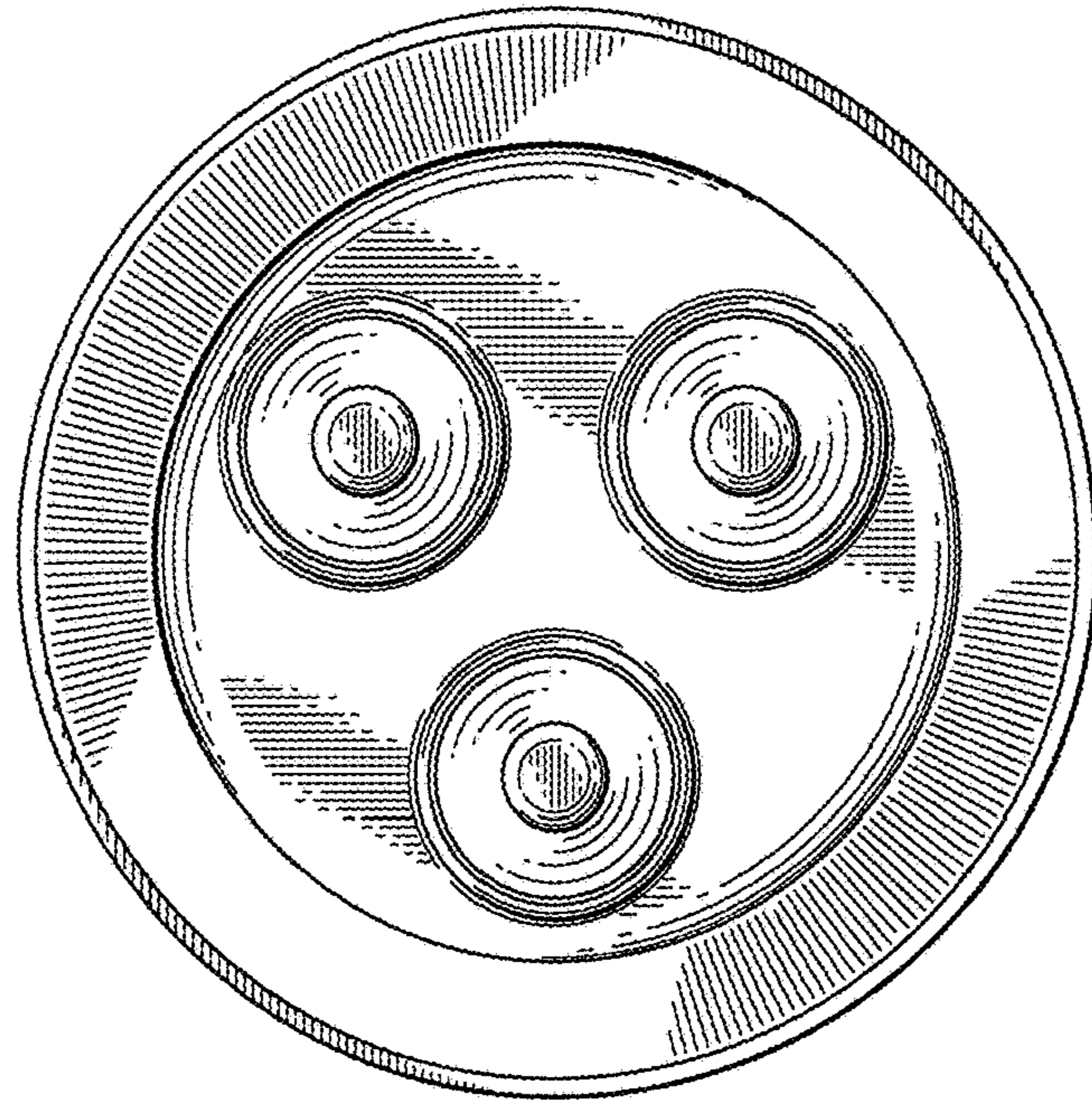


FIG.4

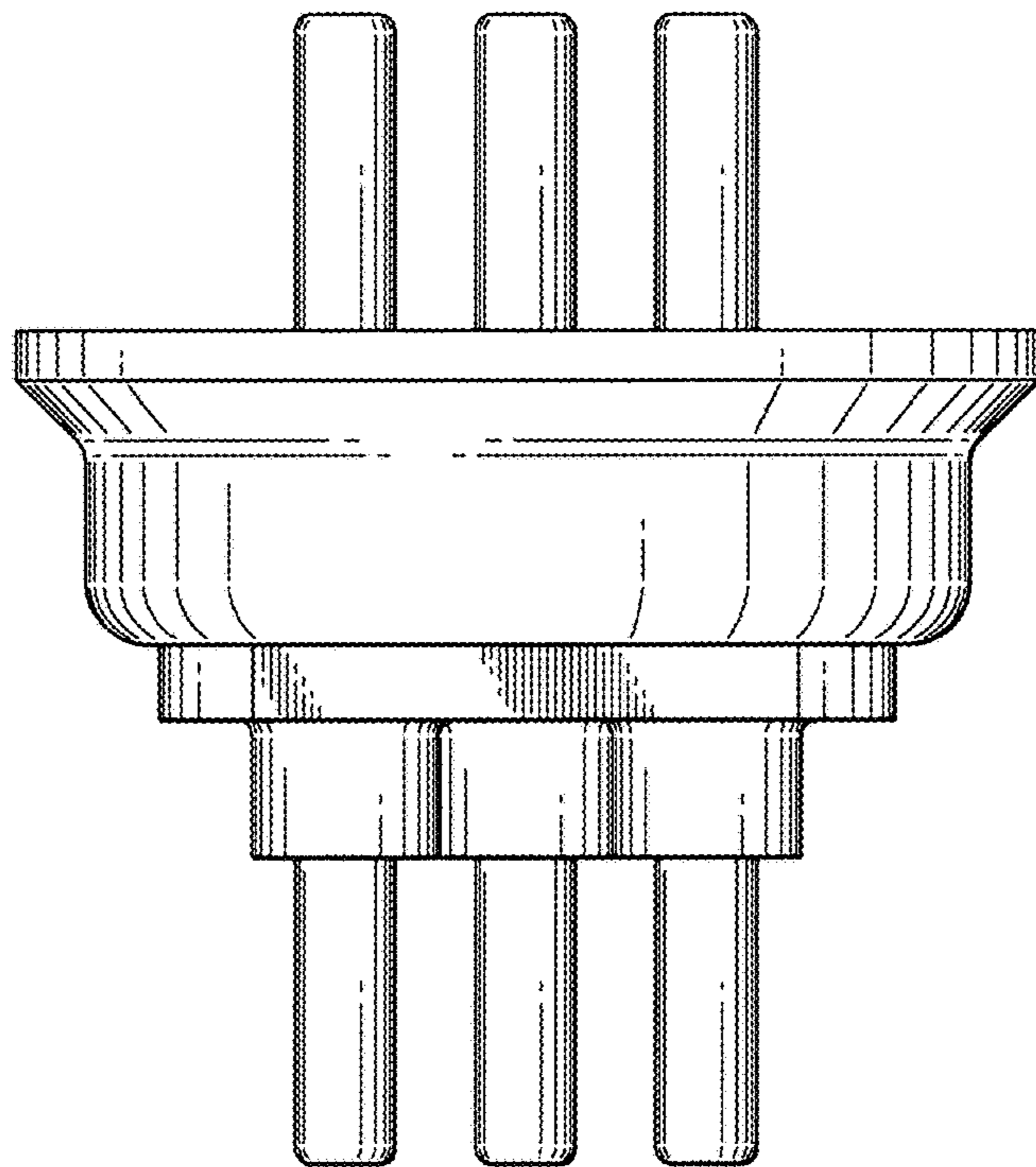


FIG.5

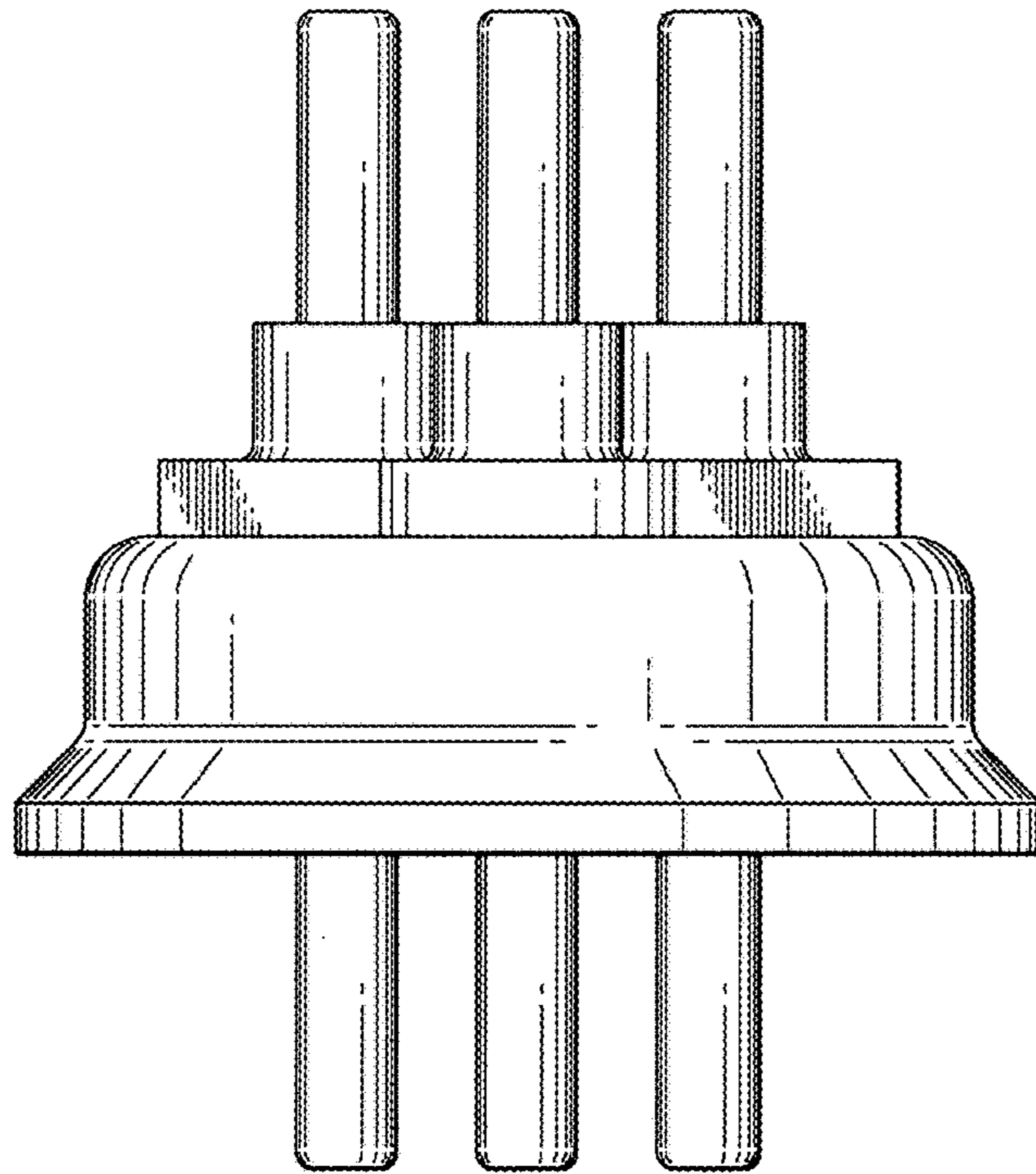


FIG.6

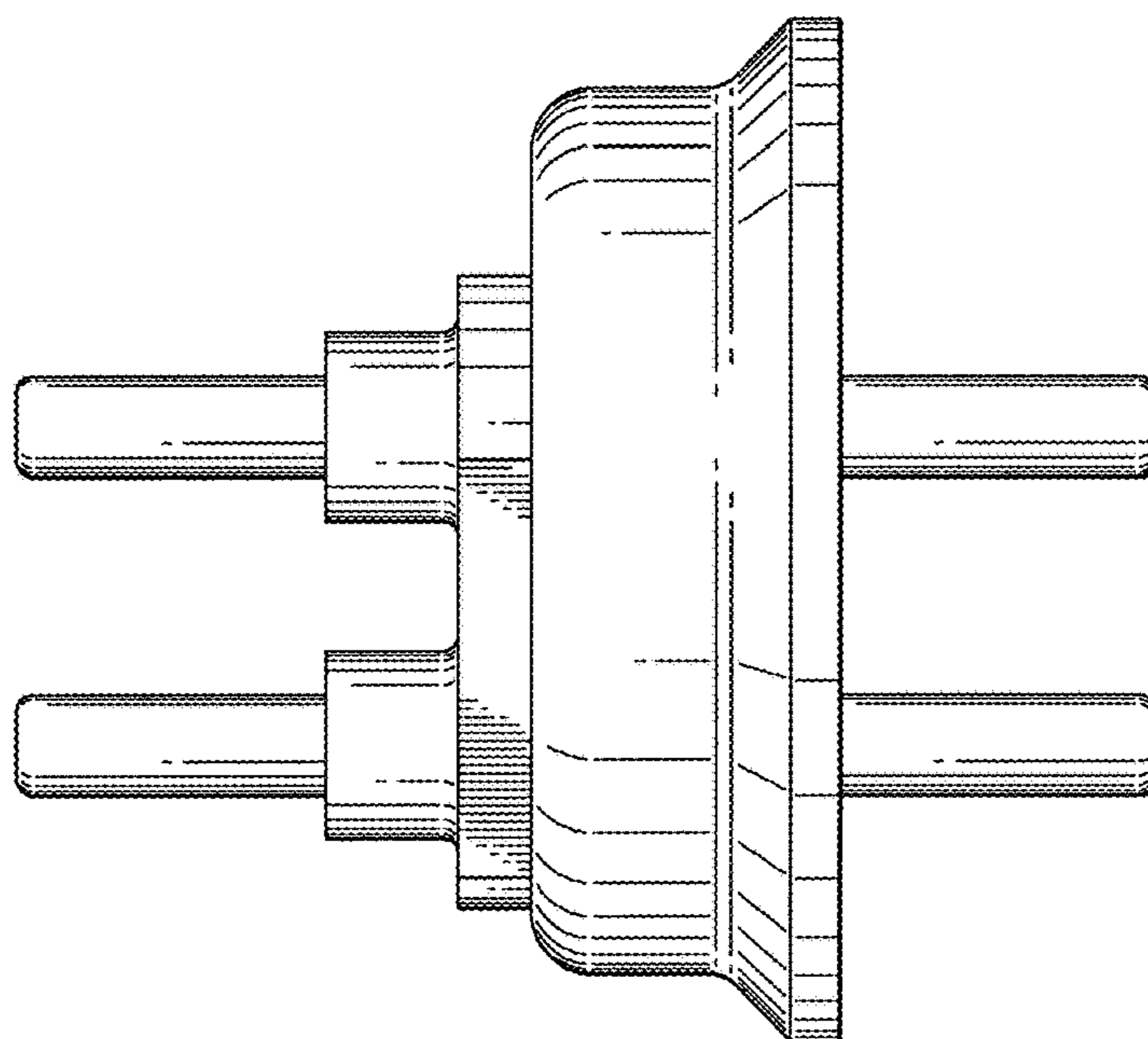


FIG.7

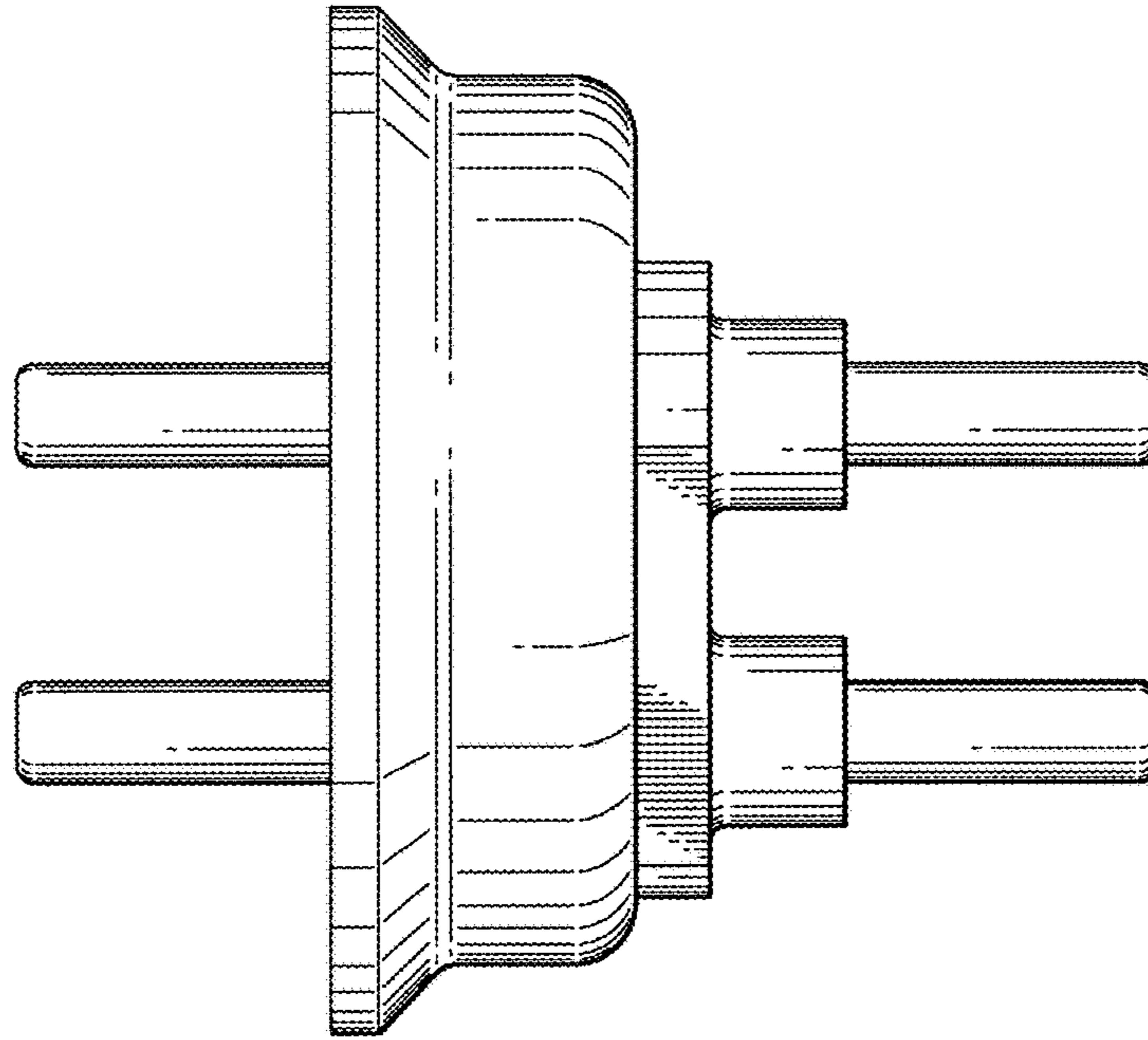
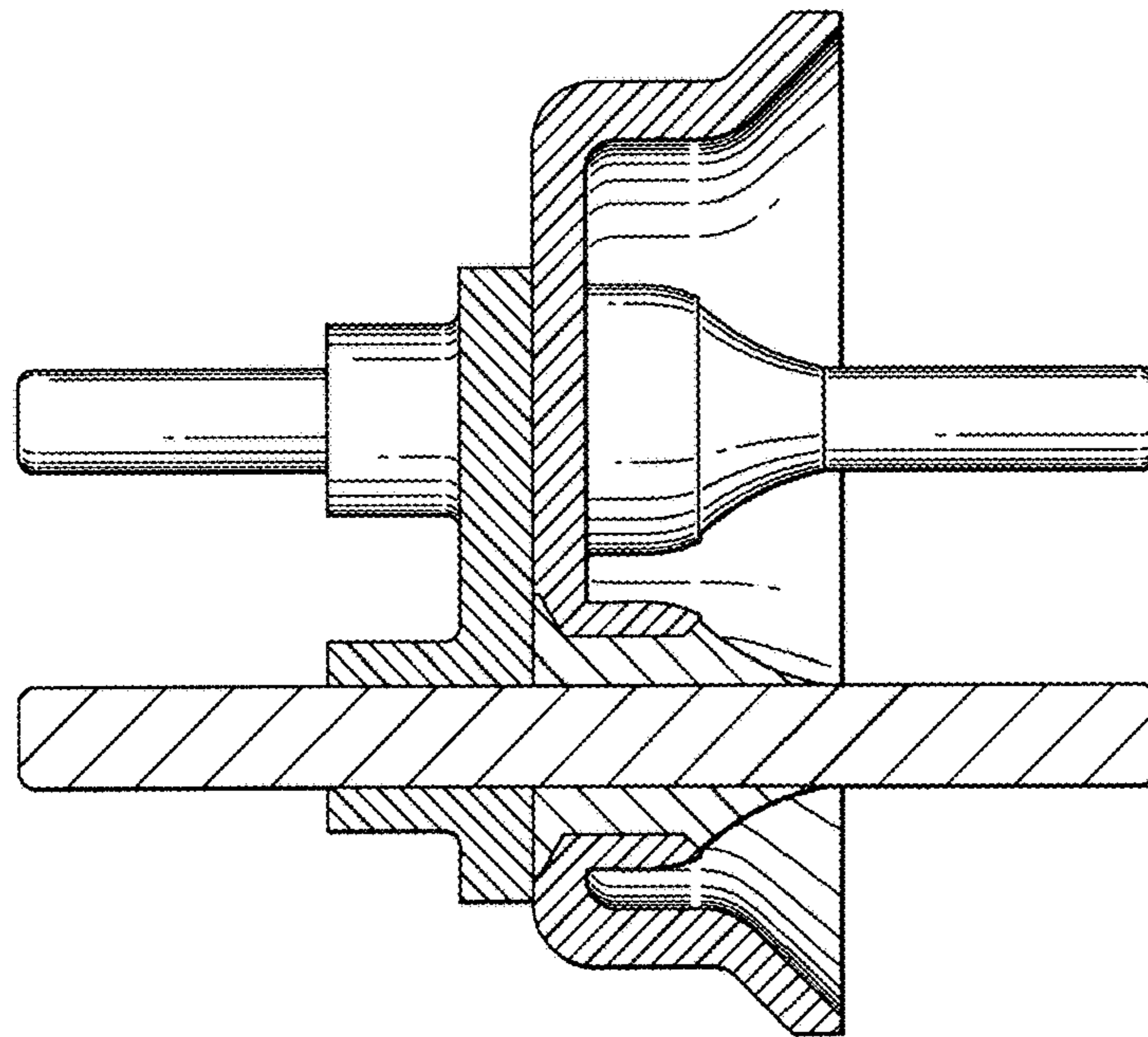


FIG.8



UNITED STATES PATENT AND TRADEMARK OFFICE
CERTIFICATE OF CORRECTION

PATENT NO. : D832,794 S
APPLICATION NO. : 29/591107
DATED : November 6, 2018
INVENTOR(S) : Yusuke Maegawa et al.

Page 1 of 1

It is certified that error appears in the above-identified patent and that said Letters Patent is hereby corrected as shown below:

On the Title Page

Item [71], Applicant:

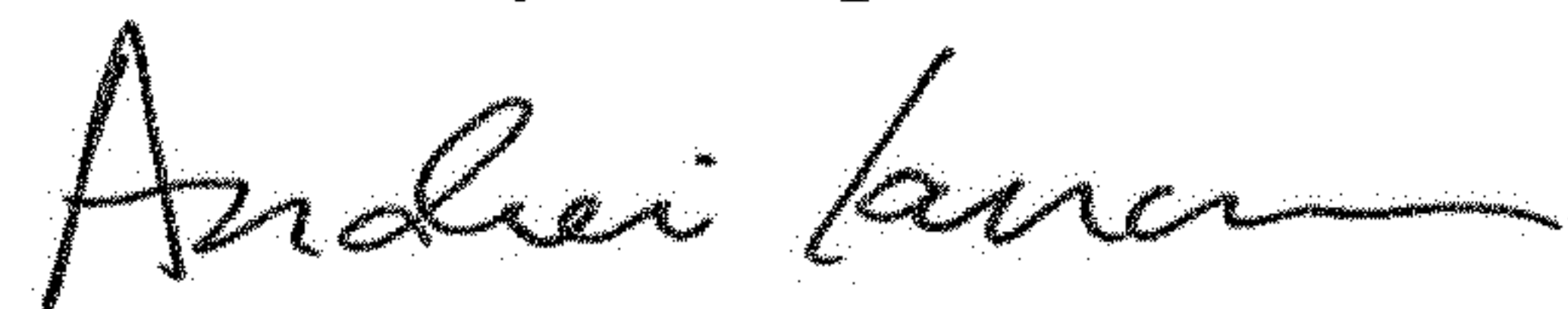
Replace "NEC SCHOTT Components Corporation, Koka-shi (JP)", with -- SCHOTT Japan Corporation, Koka-shi (JP) --.

Item [72], Inventors:

Line 1, after Maegawa, replace "Koka", with -- Koka-shi --.

Line 2, after Harada, replace "Koka", with -- Koka-shi --.

Signed and Sealed this
Third Day of September, 2019



Andrei Iancu
Director of the United States Patent and Trademark Office