

US00D832791S

(12) **United States Design Patent**
Xie et al.

(10) **Patent No.: US D832,791 S**

(45) **Date of Patent: ** Nov. 6, 2018**

(54) **PLUG CONNECTOR**

(71) Applicant: **Cheng Uei Precision Industry Co., Ltd.**, New Taipei (TW)

(72) Inventors: **Shi-Mao Xie**, Dong-Guan (CN); **Bo Liu**, Dong-Guan (CN); **Feng Zhu**, Dong-Guan (CN)

(73) Assignee: **CHENG UEI PRECISION INDUSTRY CO., LTD.**, New Taipei (TW)

(**) Term: **15 Years**

(21) Appl. No.: **29/618,589**

(22) Filed: **Sep. 22, 2017**

(51) **LOC (11) Cl.** **13-03**

(52) **U.S. Cl.**
USPC **D13/147**

(58) **Field of Classification Search**
USPC D13/101, 103, 110, 112, 117, 118, 120, D13/123, 129-133, 145-147, 149, 151, D13/153-155, 173, 183, 199
CPC G01R 31/02; G01R 31/04; H01R 4/24; H01R 9/03; H01R 11/00; H01R 11/20; H01R 12/00; H01R 12/16; H01R 13/40; H01R 13/44; H01R 13/58; H01R 13/62; H01R 13/625; H01R 13/627; H01R 13/633; H01R 13/703; H01R 24/00; H01R 24/28; H01R 24/64; H01R 25/00
See application file for complete search history.

(56) **References Cited**

U.S. PATENT DOCUMENTS

D304,027 S * 10/1989 Matsuzaki D13/147
D420,329 S * 2/2000 Lin D13/147
D637,969 S * 5/2011 Canning D13/154
8,348,702 B2 * 1/2013 Lin H01R 13/6467
439/676

10,003,158 B2 * 6/2018 Hsieh H01R 13/639
2001/0051455 A1 * 12/2001 Clement H01R 13/6467
439/418
2002/0039856 A1 * 4/2002 Huang H01R 4/2433
439/418
2005/0054230 A1 * 3/2005 Huang H01R 13/6272
439/344
2005/0148232 A1 * 7/2005 Hsin H01R 31/06
439/418
2007/0077806 A1 * 4/2007 Martin H01R 13/501
439/344
2011/0183541 A1 * 7/2011 Kosugi H01R 13/6272
439/350
2012/0184141 A1 * 7/2012 Mattson H01R 13/641
439/620.21

(Continued)

FOREIGN PATENT DOCUMENTS

CN 304514192 * 2/2018

Primary Examiner — Angela J Lee

Assistant Examiner — Shawn T Gingrich

(74) *Attorney, Agent, or Firm* — Cheng-Ju Chiang

(57) **CLAIM**

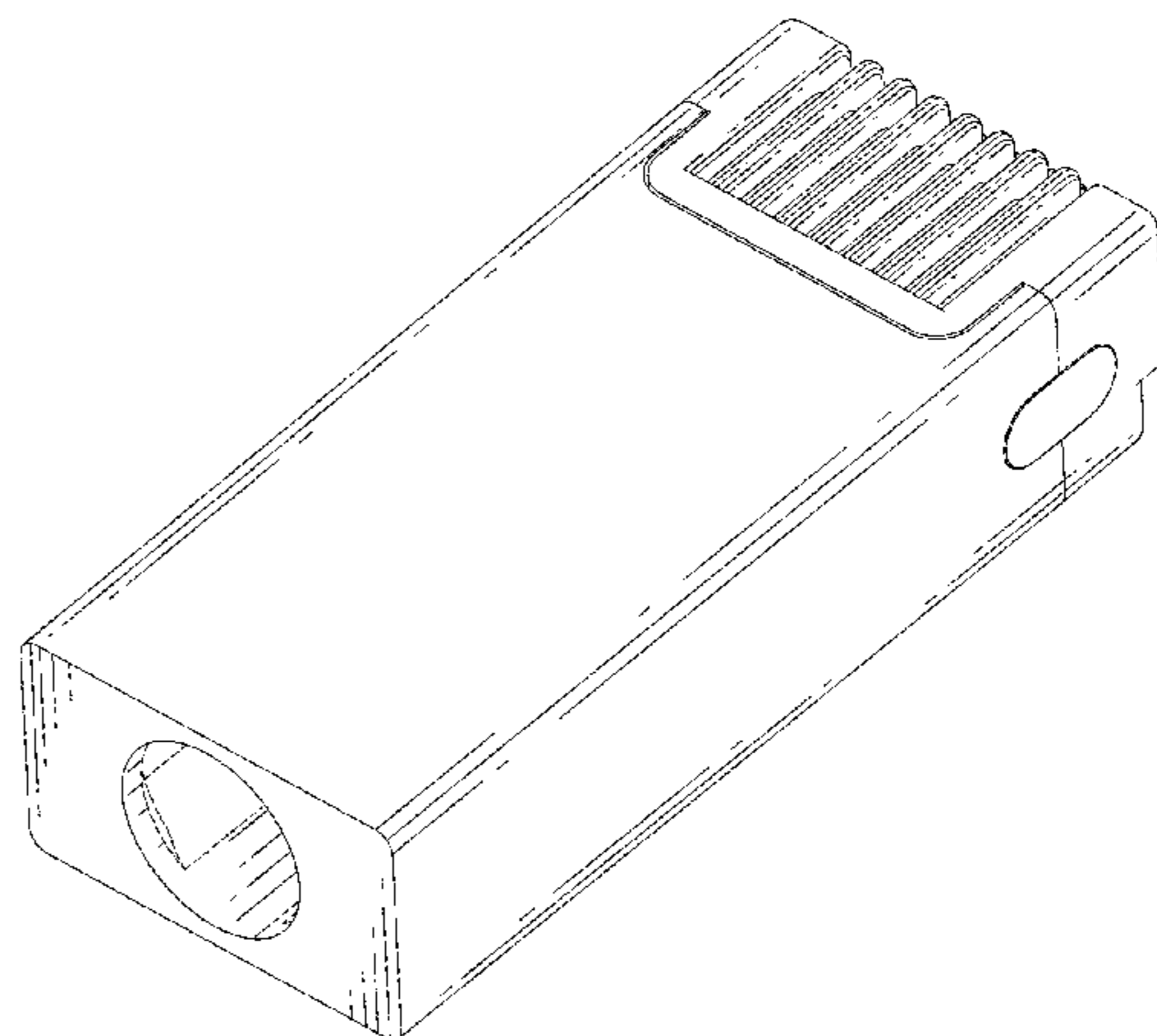
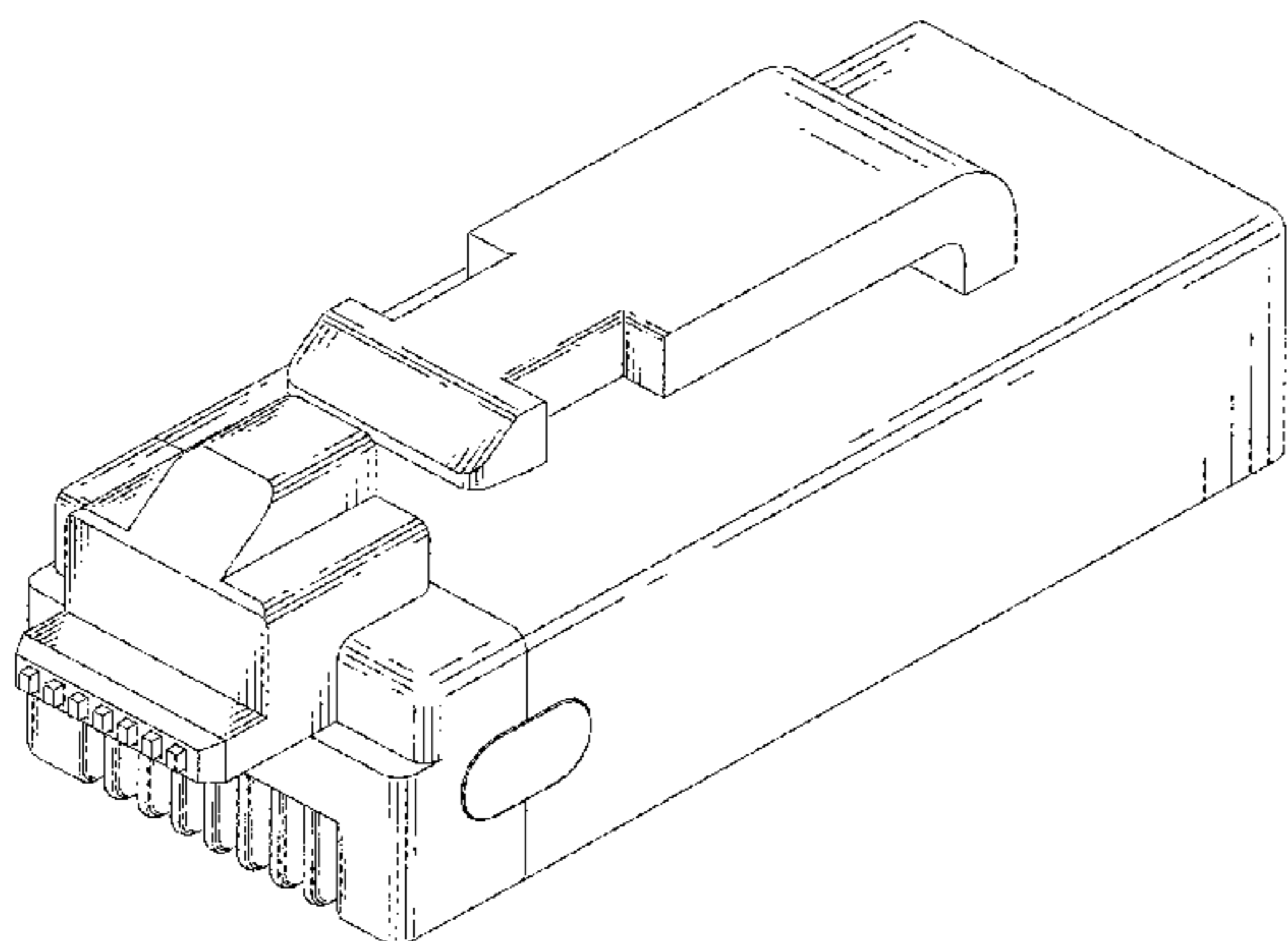
The ornamental design for a plug connector, as shown and described.

DESCRIPTION

FIG. 1 is a perspective view of a plug connector showing our new design;
FIG. 2 is a front elevational view thereof;
FIG. 3 is a rear elevational view thereof;
FIG. 4 is a left side elevational view thereof;
FIG. 5 is a right side elevational view thereof;
FIG. 6 is a top plan view thereof;
FIG. 7 is a bottom plan view thereof; and,
FIG. 8 is another perspective view of the plug connector showing our new design.

The broken lines in the drawings illustrate portions of the plug connector that form no part of the claimed design.

1 Claim, 8 Drawing Sheets



(56)

References Cited

U.S. PATENT DOCUMENTS

2012/0196488 A1* 8/2012 Su G02B 6/3817
439/676
2012/0322310 A1* 12/2012 Taylor H01R 24/64
439/620.23
2013/0157500 A1* 6/2013 Mattson H01R 13/58
439/502
2013/0288518 A1* 10/2013 Smith H01R 13/562
439/587
2014/0315420 A1* 10/2014 Sticker H01R 13/64
439/374
2014/0315436 A1* 10/2014 Poulsen H01R 13/6658
439/620.23
2014/0349506 A1* 11/2014 Lee H01R 13/6275
439/345
2016/0097801 A1* 4/2016 Polland G01R 31/04
324/538
2017/0302040 A1* 10/2017 Taylor H01R 27/02

* cited by examiner

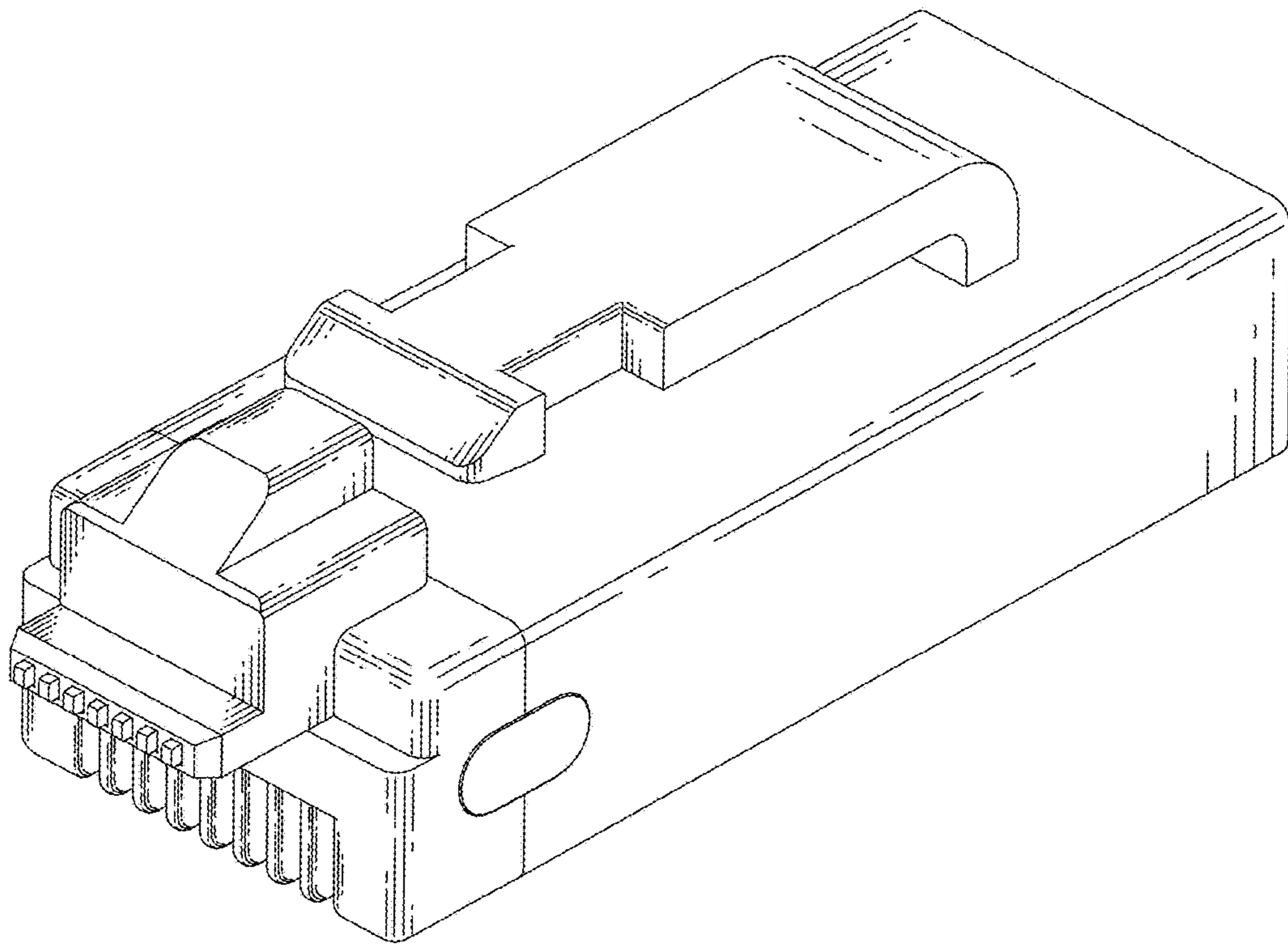


FIG. 1

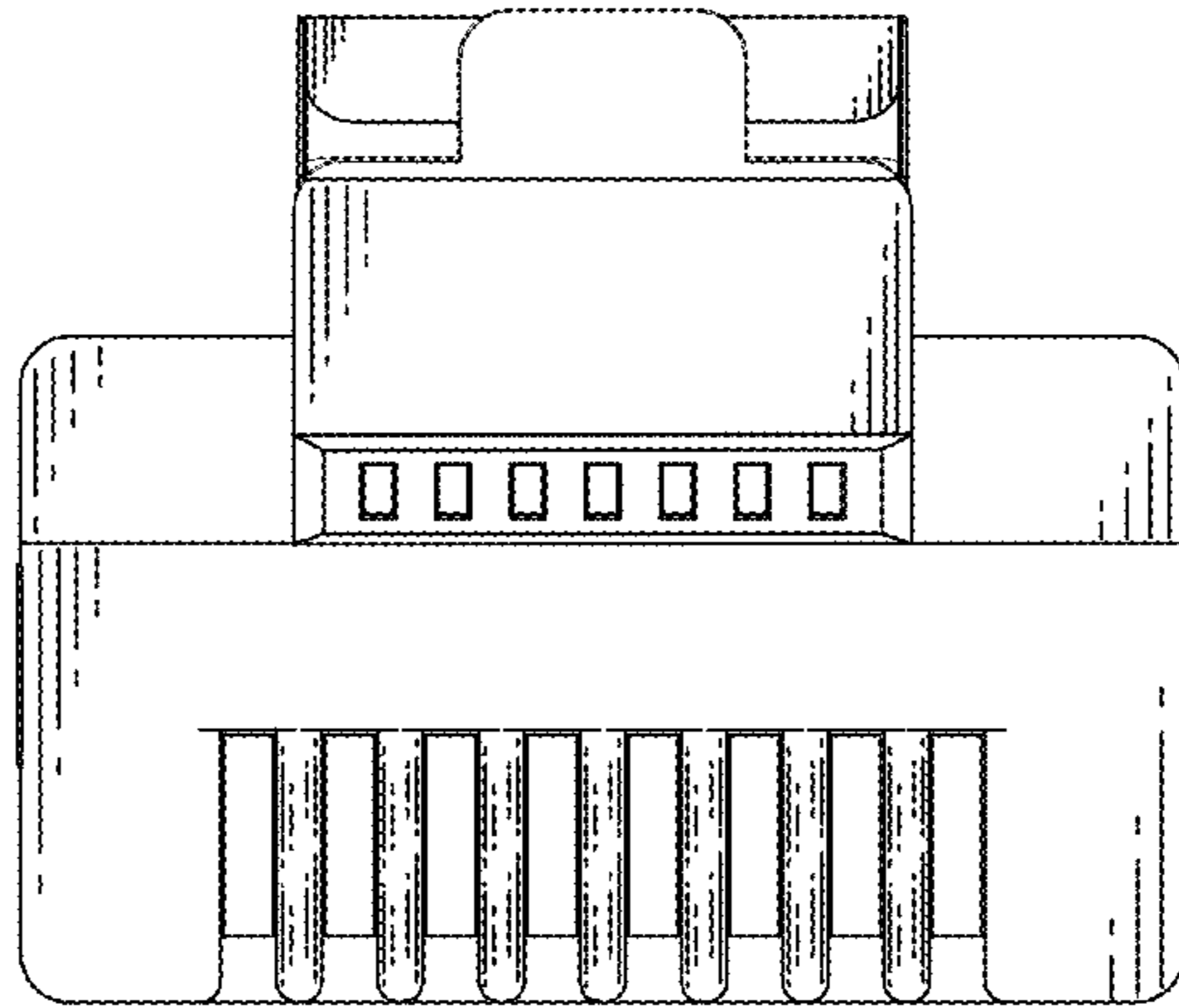


FIG. 2

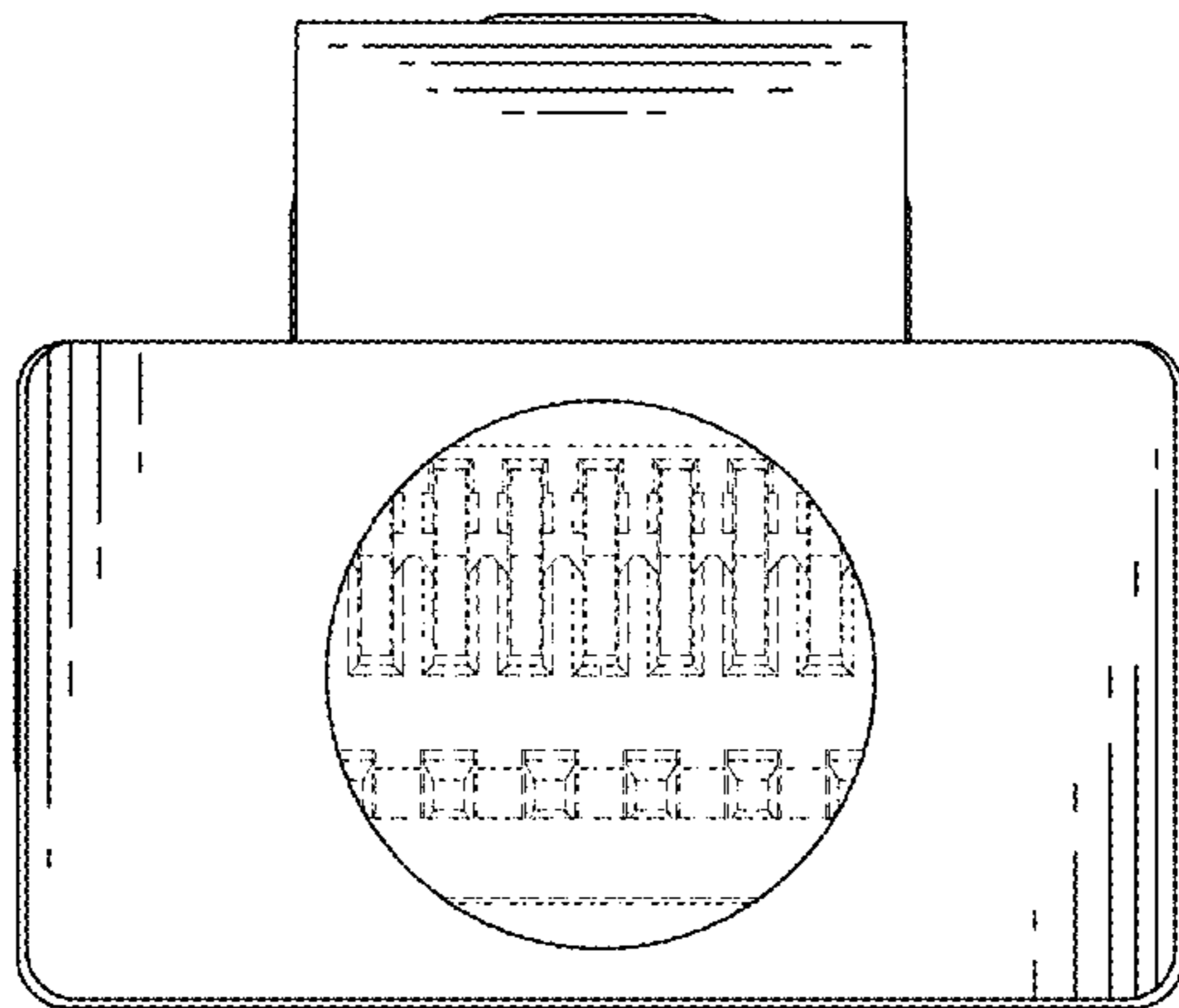


FIG. 3

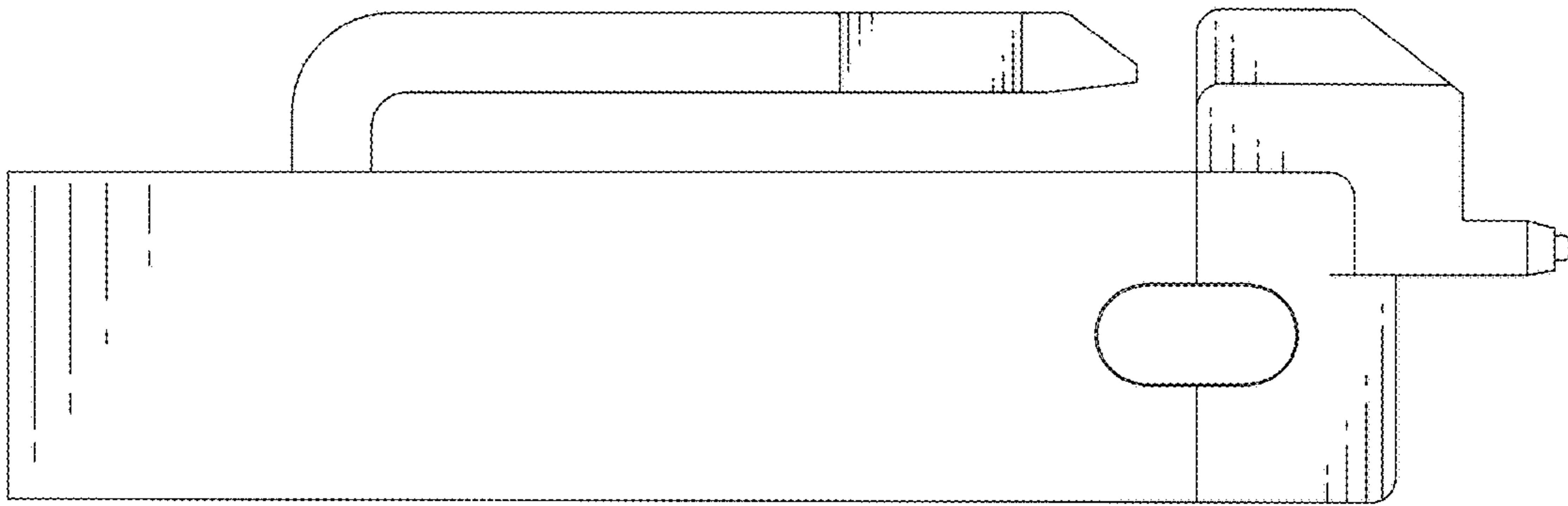


FIG. 4

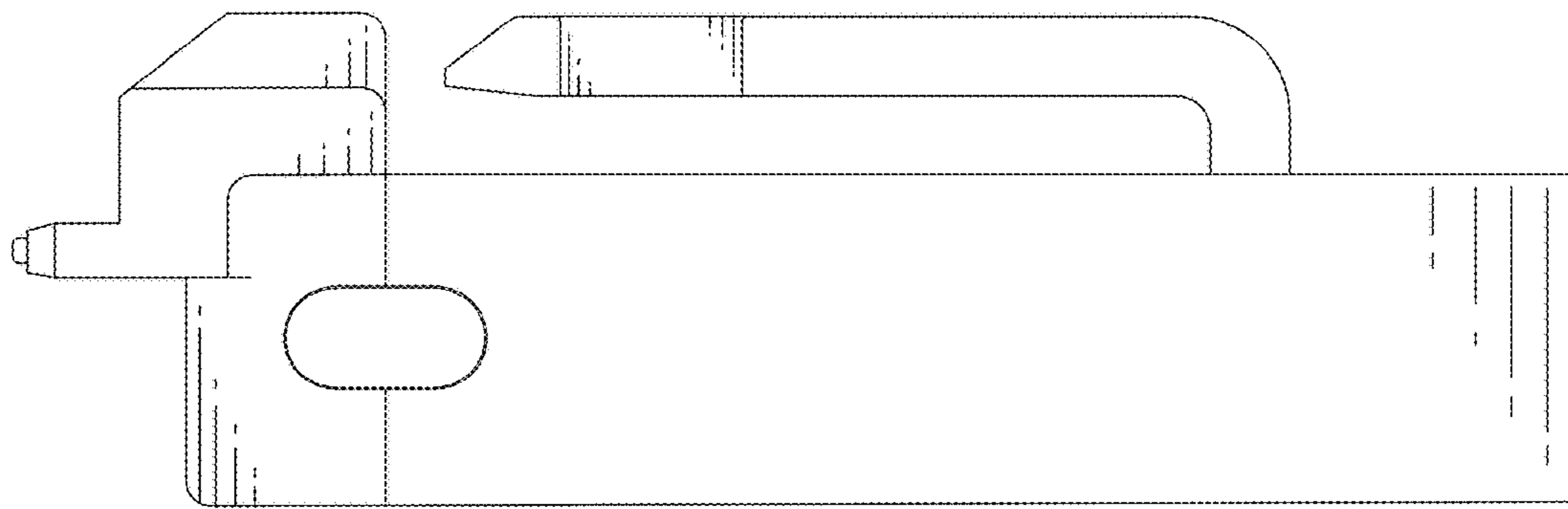


FIG. 5

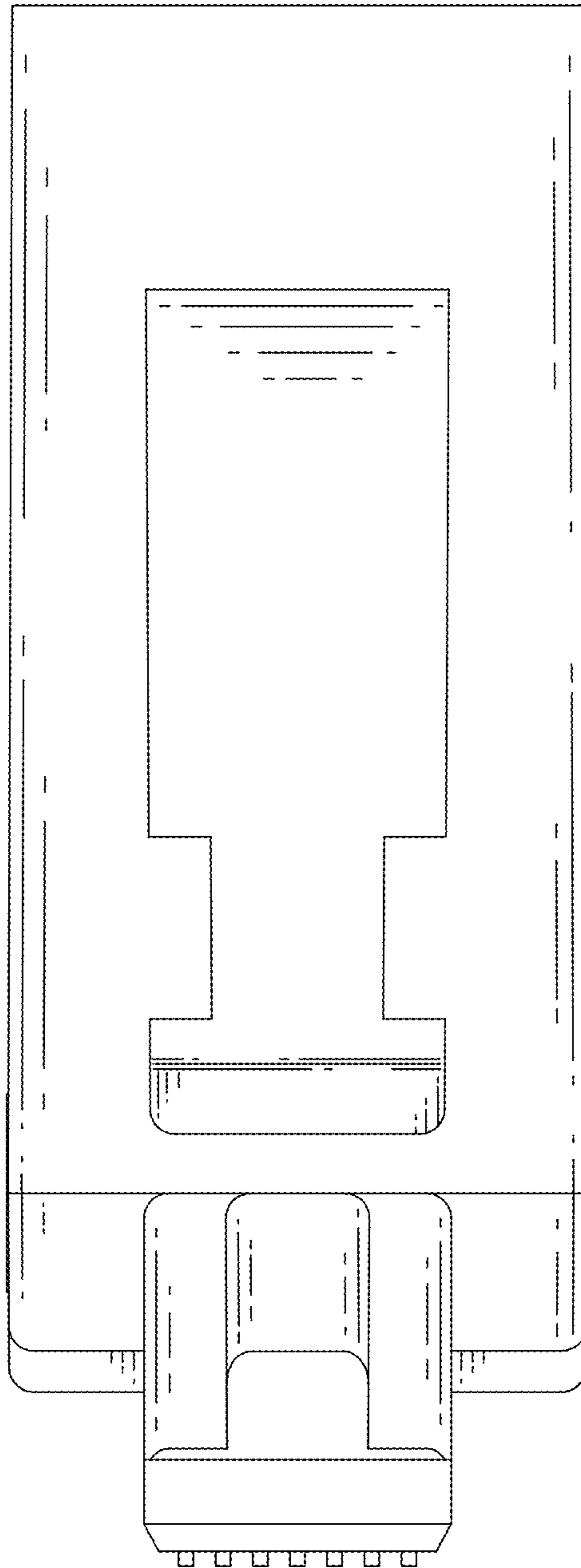


FIG. 6

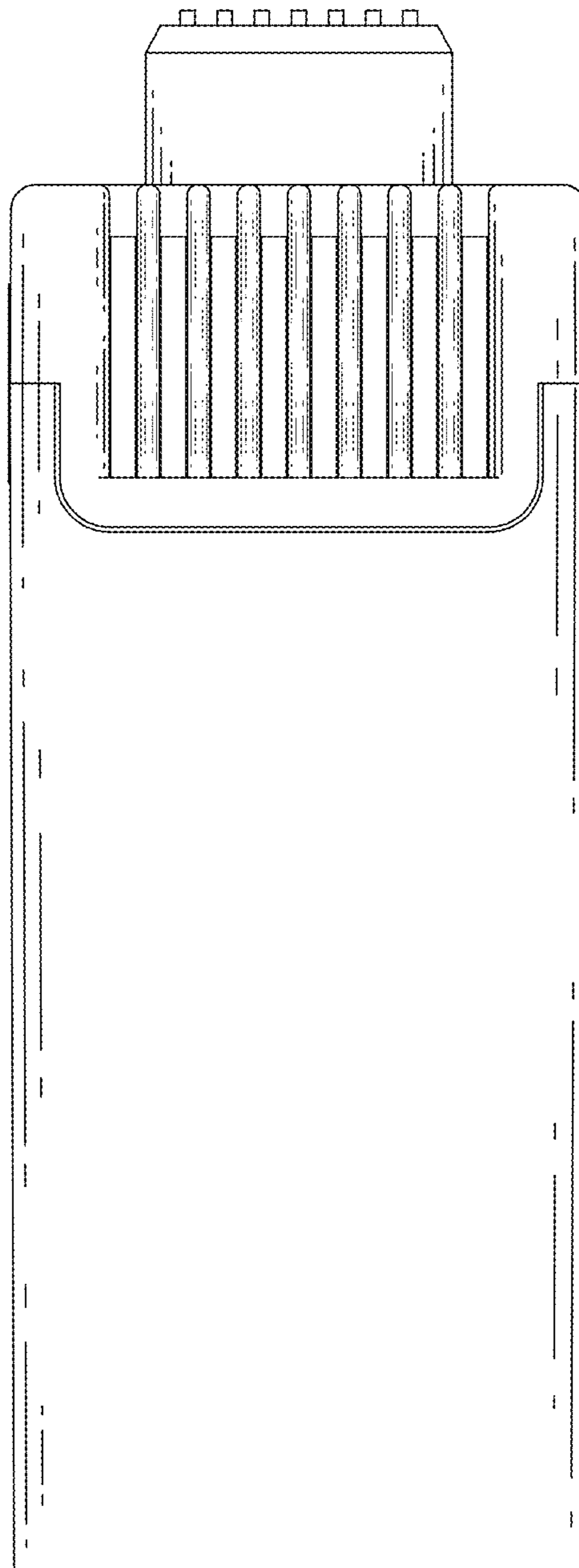


FIG. 7

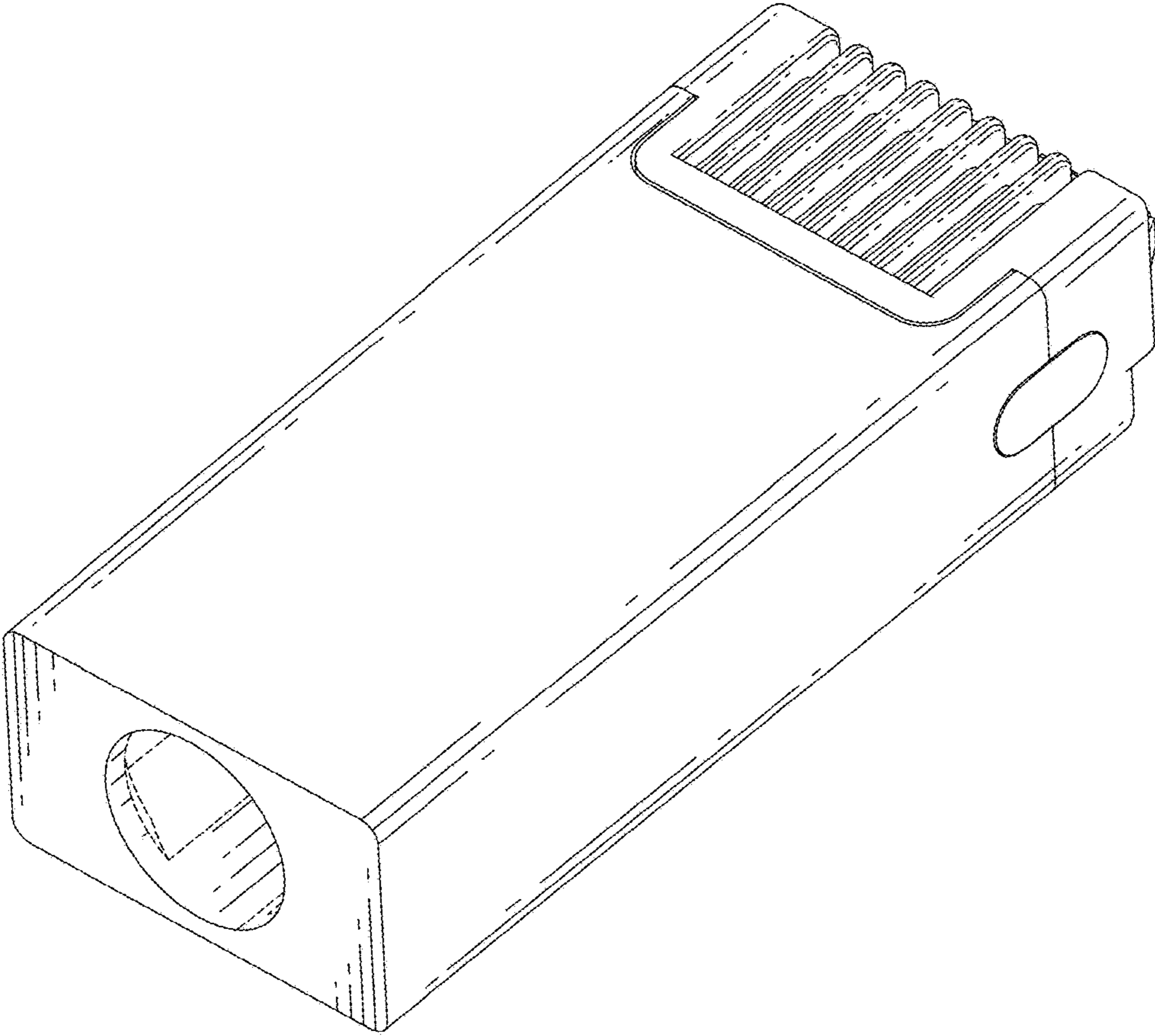


FIG. 8