



US00D832790S

(12) **United States Design Patent**
Fawcett et al.

(10) **Patent No.:** **US D832,790 S**

(45) **Date of Patent:** **** Nov. 6, 2018**

(54) **HOUSING FOR A DATA SYNCHRONIZATION CABLE**

(71) Applicant: **Fuse Chicken, LLC**, Cuyahoga Falls, OH (US)

(72) Inventors: **Jonathan Eric Fawcett**, Stow, OH (US); **Aaron Daniel Marshall**, Uniontown, OH (US)

(73) Assignee: **FUSE CHICKEN, LLC**, Cuyahoga Falls, OH (US)

(**) Term: **15 Years**

(21) Appl. No.: **29/578,933**

(22) Filed: **Sep. 26, 2016**

(51) **LOC (11) Cl.** **14-02**

(52) **U.S. Cl.**
USPC **D13/147**

(58) **Field of Classification Search**
USPC D14/299, 432, 433, 434, 439; D13/133, D13/146, 147, 154, 184, 199
CPC H01R 11/01; H01R 13/72; H04M 1/04; H04M 1/72; H04B 7/00; H04B 1/40; H02J 7/0044; H05K 7/00
See application file for complete search history.

(56) **References Cited**

U.S. PATENT DOCUMENTS

D246,240 S * 11/1977 Hansen D13/103
D619,570 S * 7/2010 Tong D13/133

D696,209 S * 12/2013 Allen D13/162
D756,817 S * 5/2016 Fries D10/78
D810,086 S * 2/2018 Xie D14/433
D815,639 S * 4/2018 Lau D14/433
D824,387 S * 7/2018 Oberpriller D14/433

* cited by examiner

Primary Examiner — Daniel D Bui

(74) *Attorney, Agent, or Firm* — Christopher C. Dremann, P.C.; Christopher C. Dremann

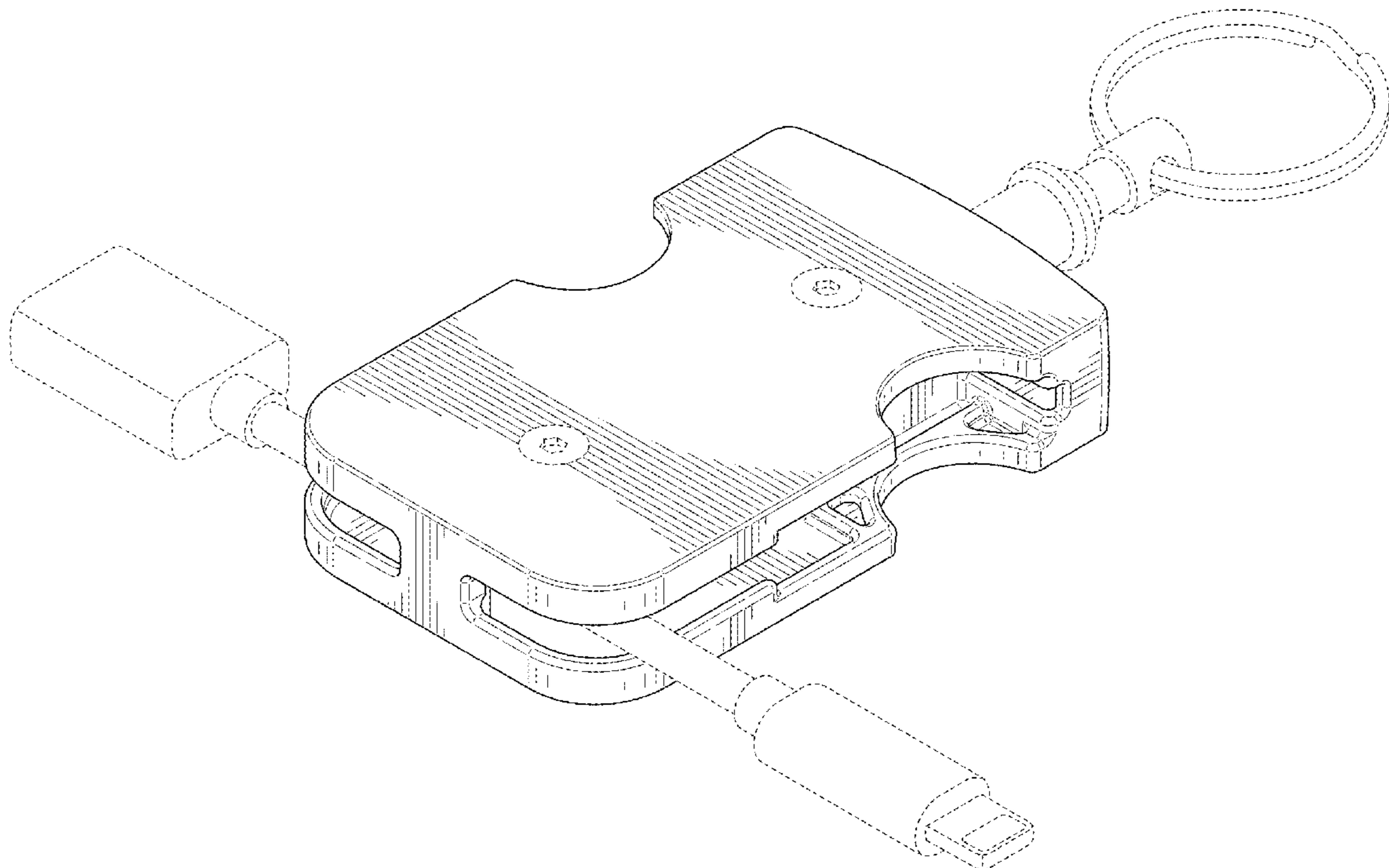
(57) **CLAIM**

The ornamental design of a housing for a data synchronization cable, as shown and described.

DESCRIPTION

FIG. 1 is a front perspective view of a housing for a data synchronization cable in an extended condition, showing our new design;
FIG. 2 is a front perspective view thereof, in a retracted condition;
FIG. 3 is a front elevation view thereof;
FIG. 4 is a rear elevation view thereof;
FIG. 5 is a right side elevation view thereof;
FIG. 6 is a left side elevation view thereof.
FIG. 7 is a top plan view thereof; and,
FIG. 8 is a bottom plan view thereof.
In the drawing views, the broken line represents unclaimed environment only and forms no part of the claimed design.

1 Claim, 6 Drawing Sheets



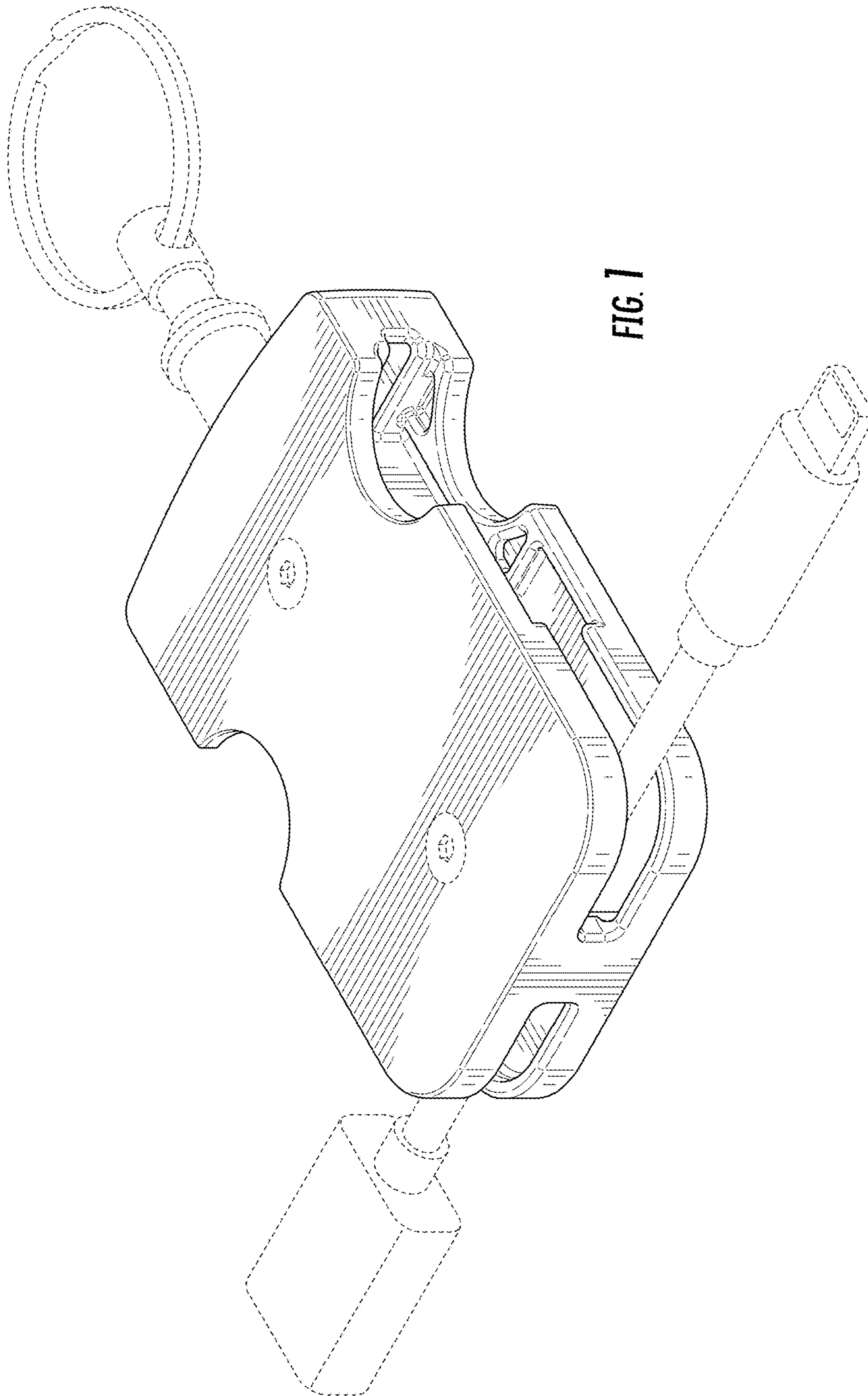


FIG. 1

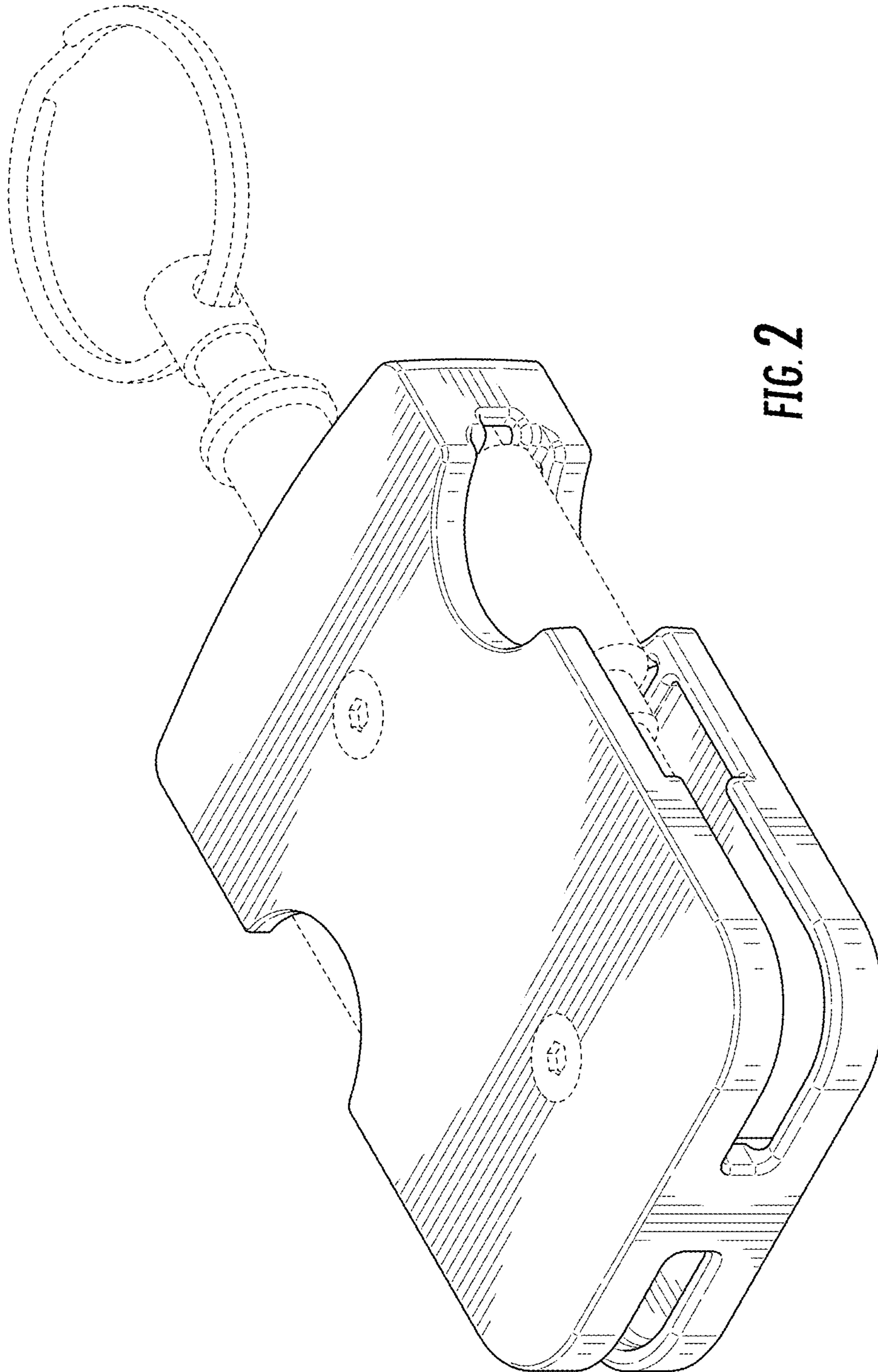


FIG. 2

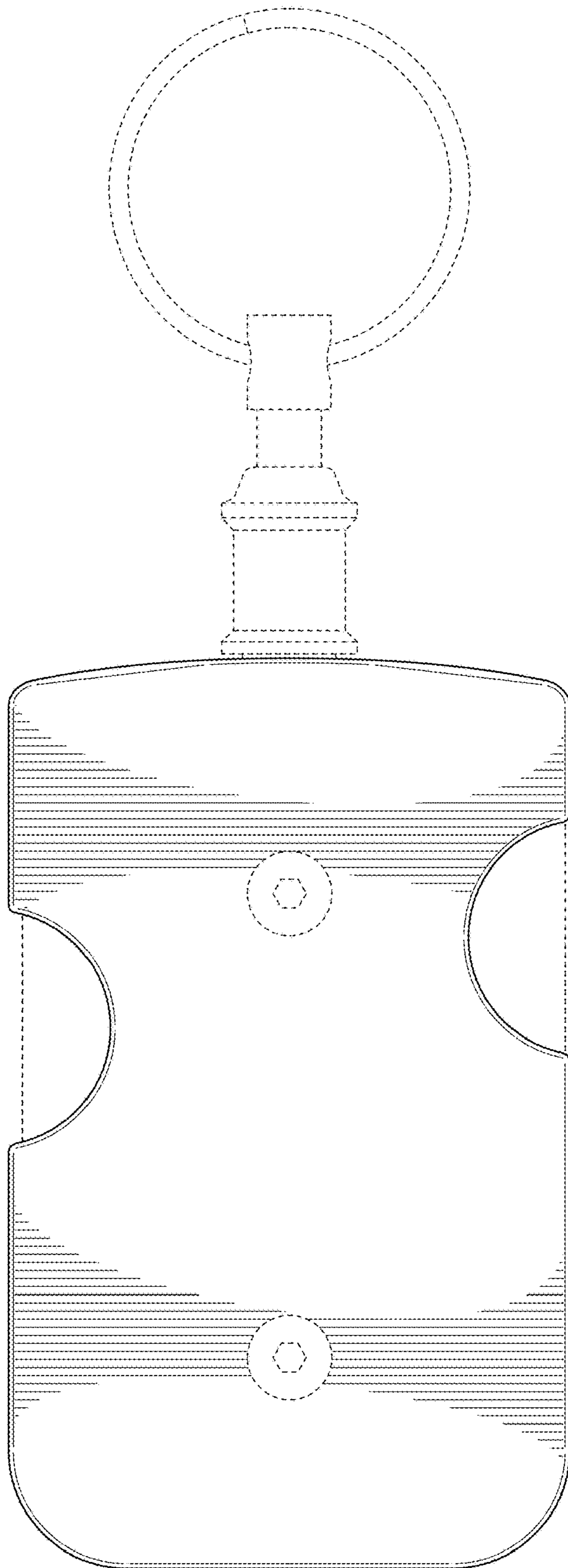


FIG. 3

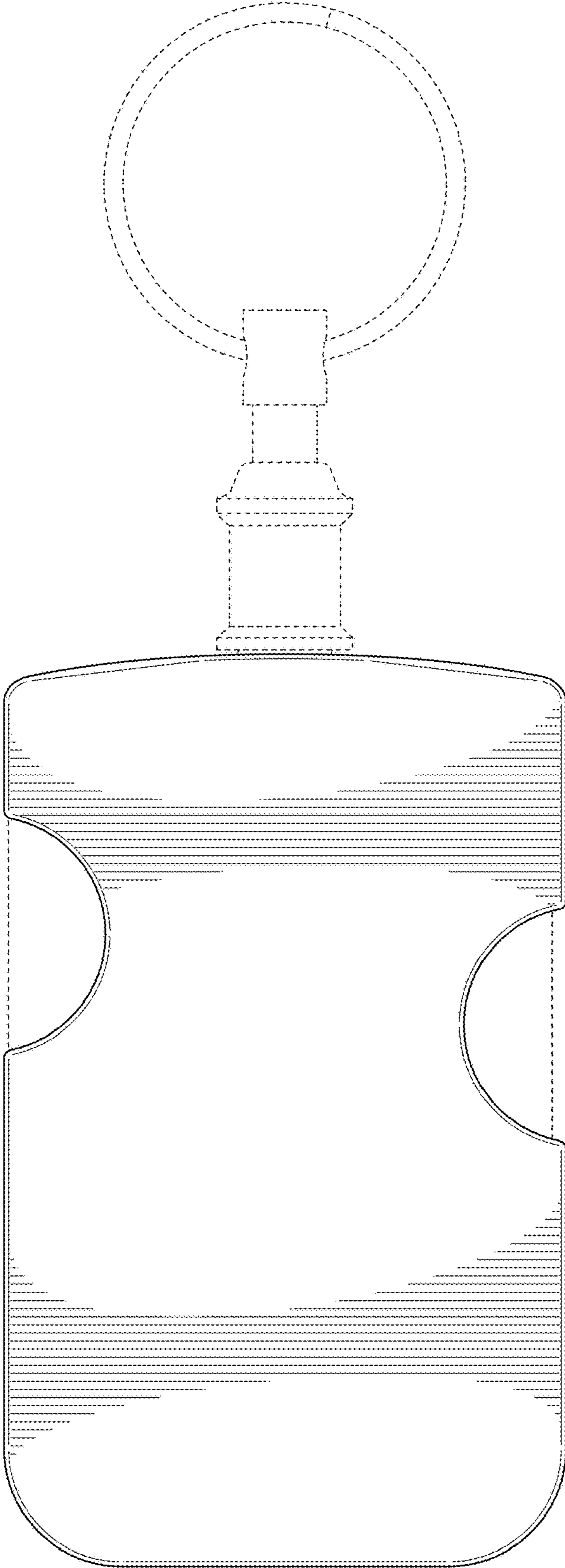


FIG. 4

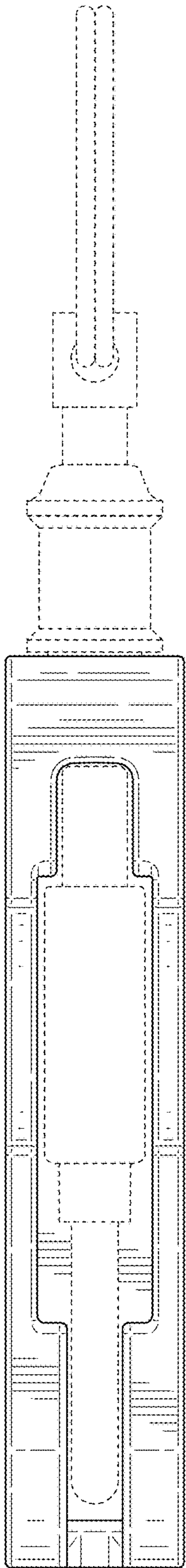


FIG. 5

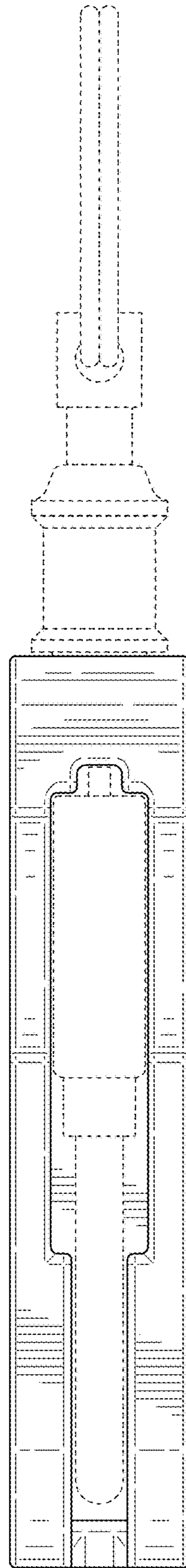


FIG. 6

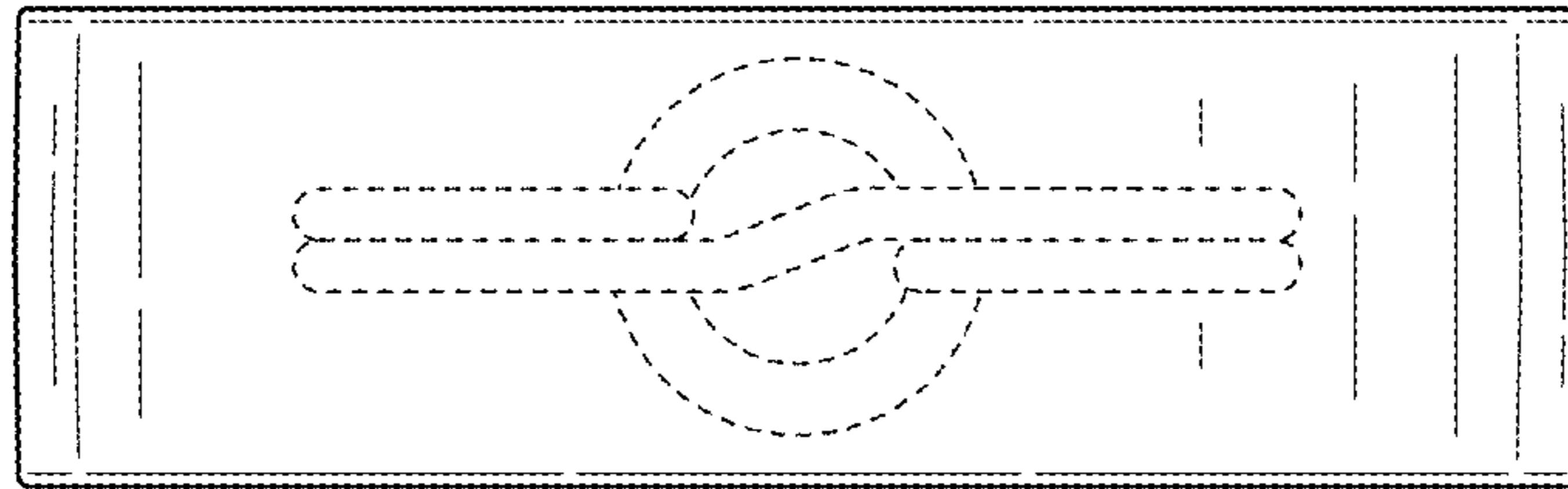


FIG. 7

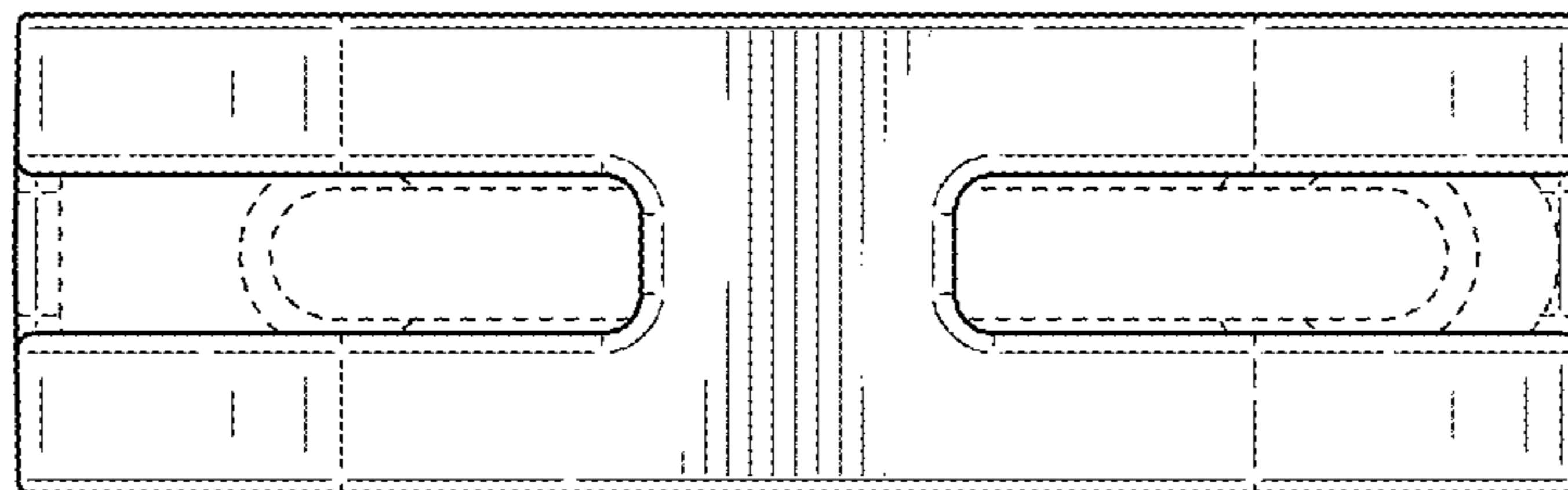


FIG. 8