



US00D832789S

(12) **United States Design Patent**  
**Rockwell**

(10) **Patent No.:** **US D832,789 S**  
(45) **Date of Patent:** **\*\* Nov. 6, 2018**

(54) **ELECTRICAL CONNECTOR**

(71) Applicant: **Quantum Corporation**, San Jose, CA (US)

(72) Inventor: **Scott M. Rockwell**, Denver, CO (US)

(73) Assignee: **QUANTUM CORPORATION**, San Jose, CA (US)

(\*\*) Term: **15 Years**

(21) Appl. No.: **29/556,813**

(22) Filed: **Mar. 3, 2016**

(51) **LOC (11) Cl.** ..... **13-03**

(52) **U.S. Cl.**  
USPC ..... **D13/147; D13/133**

(58) **Field of Classification Search**  
USPC ..... D13/110, 112, 118–123, 133, 146, 147, D13/149, 152, 154, 156, 173, 182, 184, D13/199; D14/432, 433, 435, 435.1, 438  
CPC ..... H01R 4/24; H01R 4/48; H01R 4/4818; H01R 4/66; H01R 11/22; H01R 11/30; H01R 12/00; H01R 12/57; H01R 13/11; H01R 13/40; H01R 13/42; H01R 13/49; H01R 13/50; H01R 13/518; H01R 13/60; H01R 13/62; H01R 13/64; H01R 13/65; H01R 13/66; H01R 13/68; H01R 25/00; H01R 29/00; H01R 3/00; G06F 1/16; H05K 1/16; H05K 3/34; H05K 7/20  
See application file for complete search history.

(56) **References Cited**

**U.S. PATENT DOCUMENTS**

D700,899 S *	3/2014	Corbin	.....	D13/182
D748,062 S *	1/2016	Akana	.....	D13/147
D759,656 S *	6/2016	Andre	.....	D14/435.1
D769,876 S *	10/2016	Aoyagi	.....	D14/432

\* cited by examiner

*Primary Examiner* — Angela J Lee

*Assistant Examiner* — Shawn T Gingrich

(74) *Attorney, Agent, or Firm* — Roeder & Broder LLP; James P. Broder

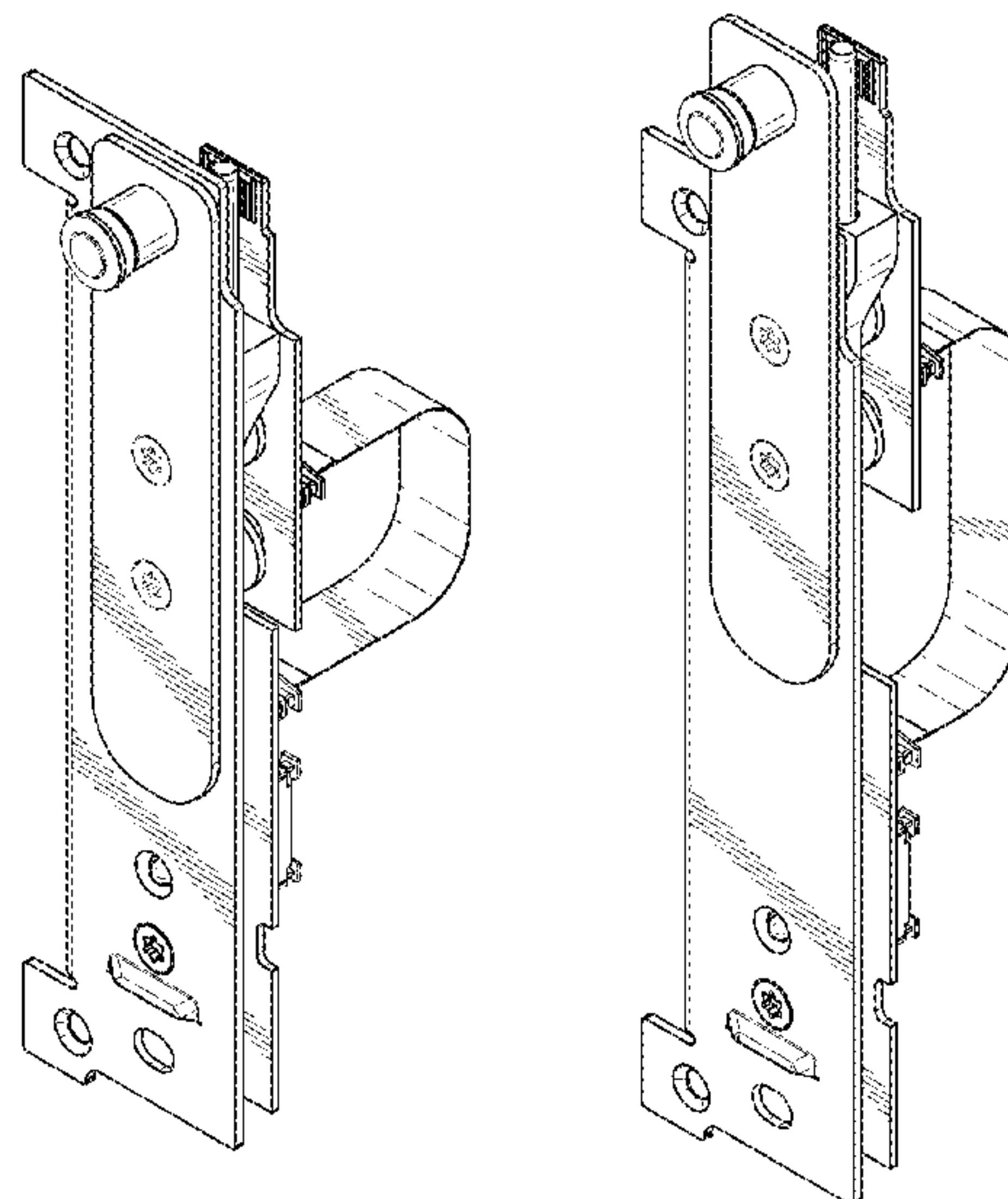
(57) **CLAIM**

The ornamental design for an electrical connector, as shown and described.

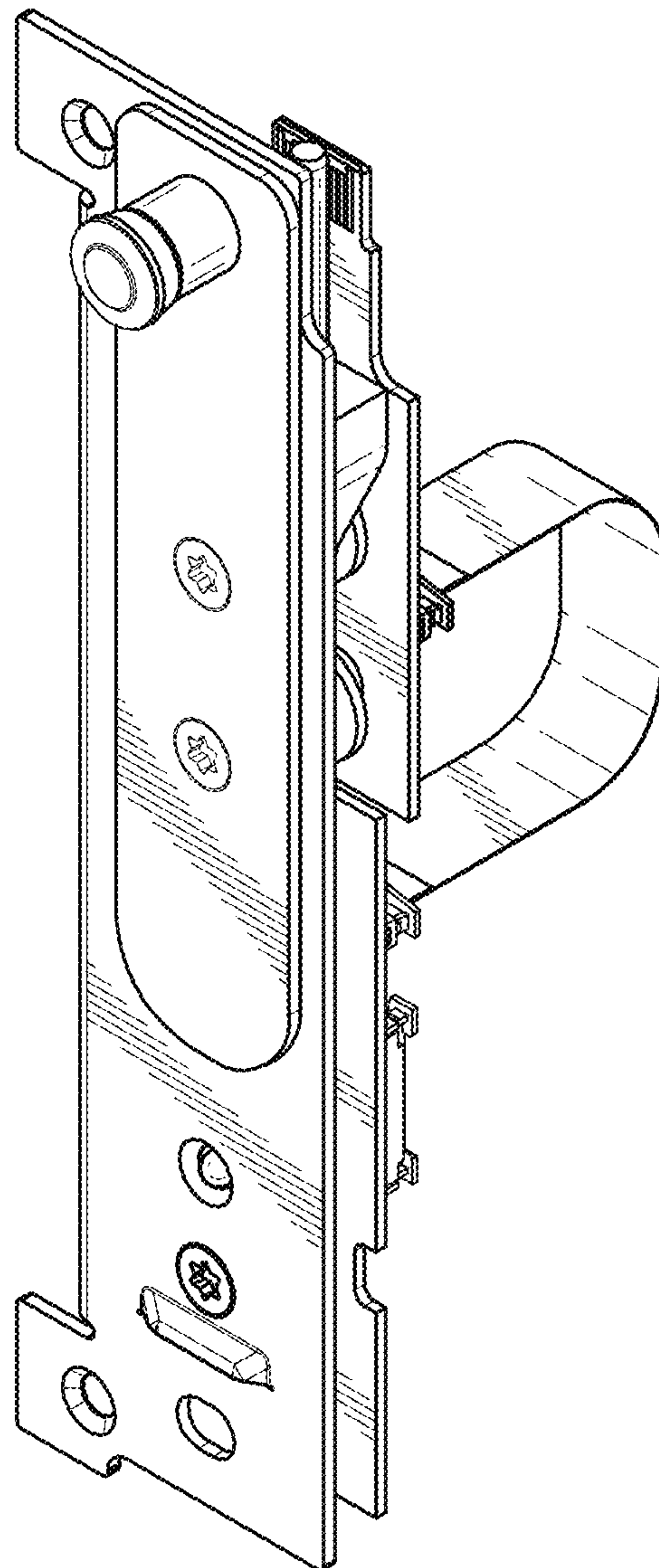
**DESCRIPTION**

FIG. 1 is a perspective view of my design for an electrical connector shown in a retracted position;  
FIG. 2 is a front elevation view of the electrical connector illustrated in FIG. 1;  
FIG. 3 is a rear elevation view of the electrical connector illustrated in FIG. 1;  
FIG. 4 is a right side elevation view of the electrical connector illustrated in FIG. 1;  
FIG. 5 is a left side elevation view of the electrical connector illustrated in FIG. 1;  
FIG. 6 is a bottom view of the electrical connector illustrated in FIG. 1;  
FIG. 7 is a top view of the electrical connector illustrated in FIG. 1; and,  
FIG. 8 is a perspective view of the electrical connector illustrated in FIG. 1, shown in an extended position.

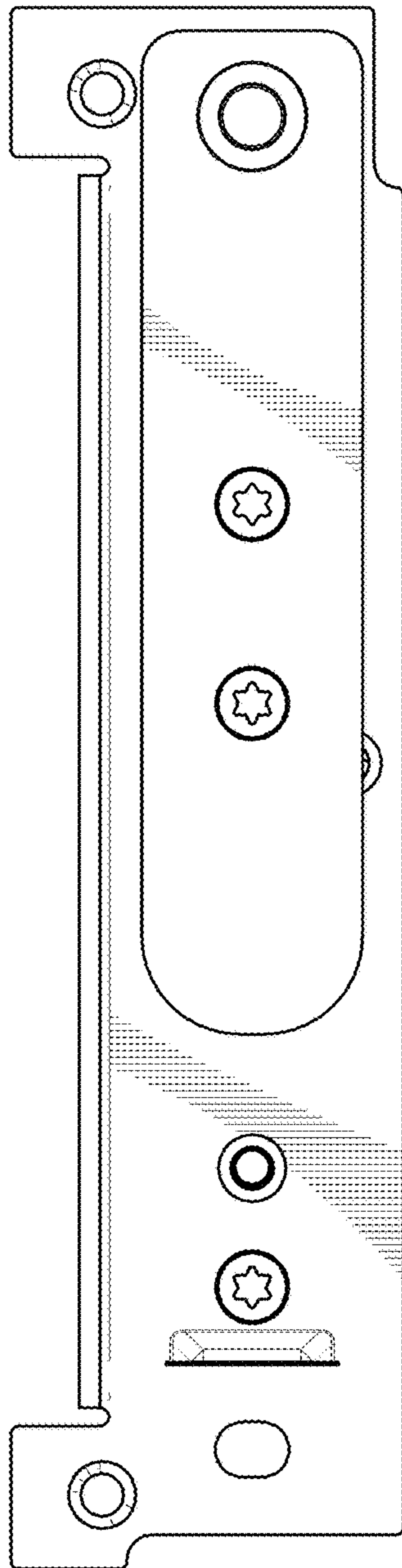
**1 Claim, 5 Drawing Sheets**



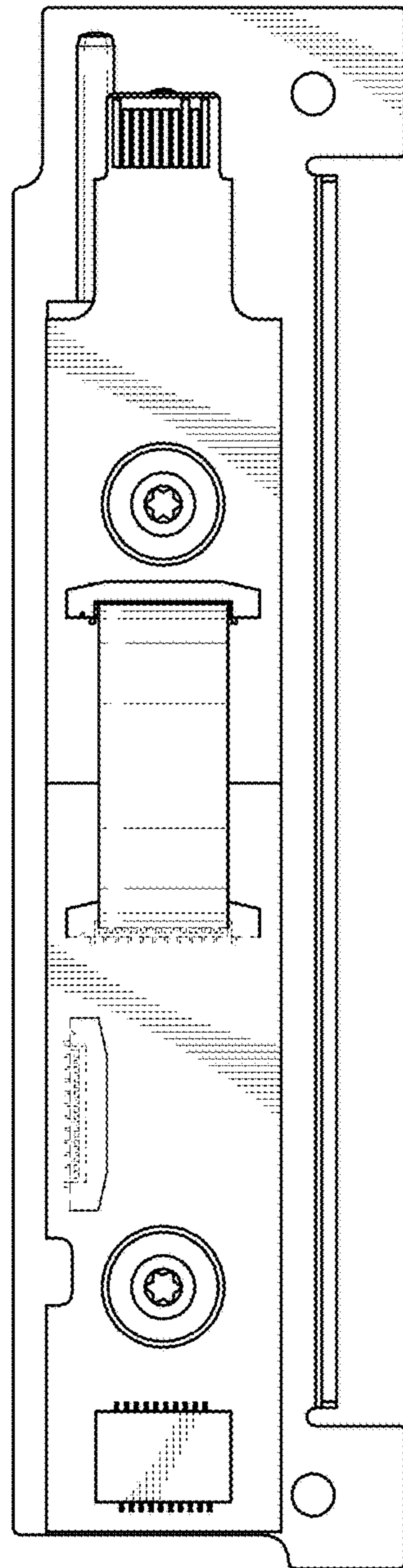
*FIG. 1*



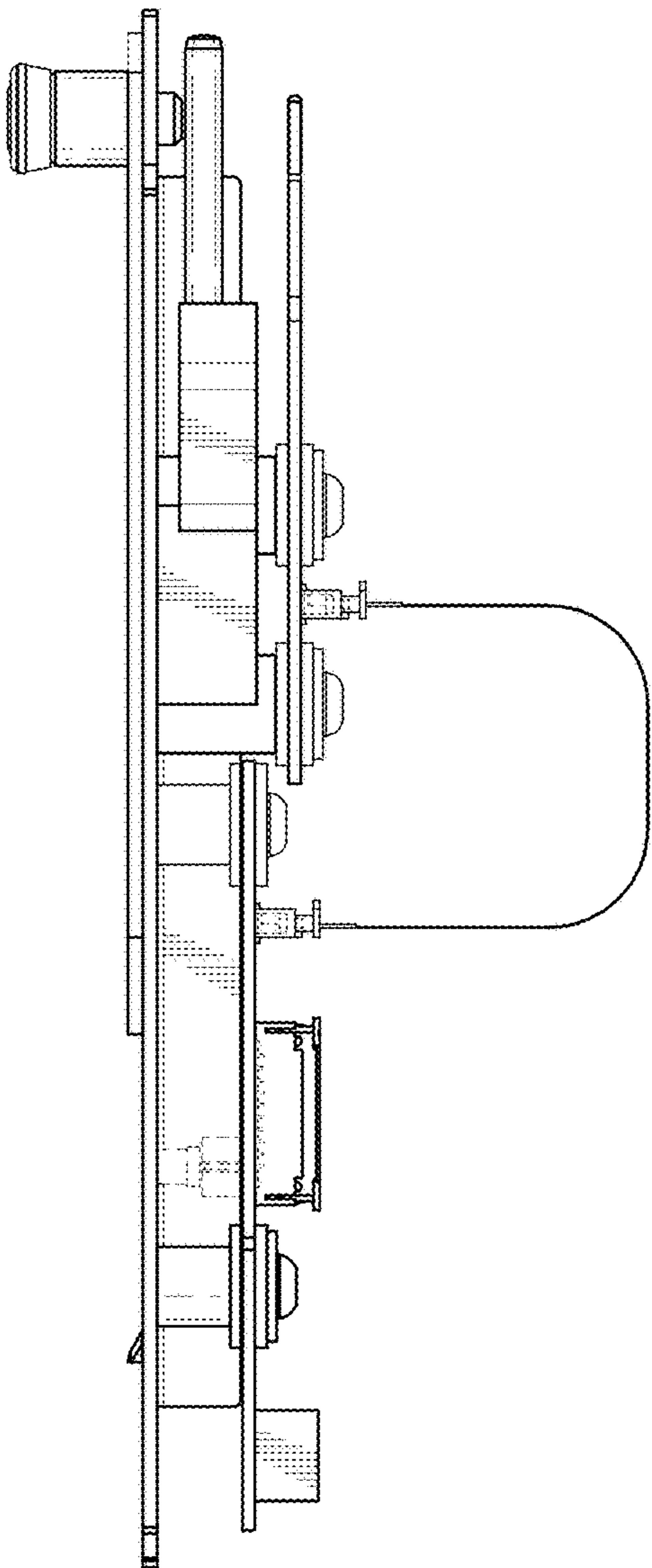
**FIG. 2**



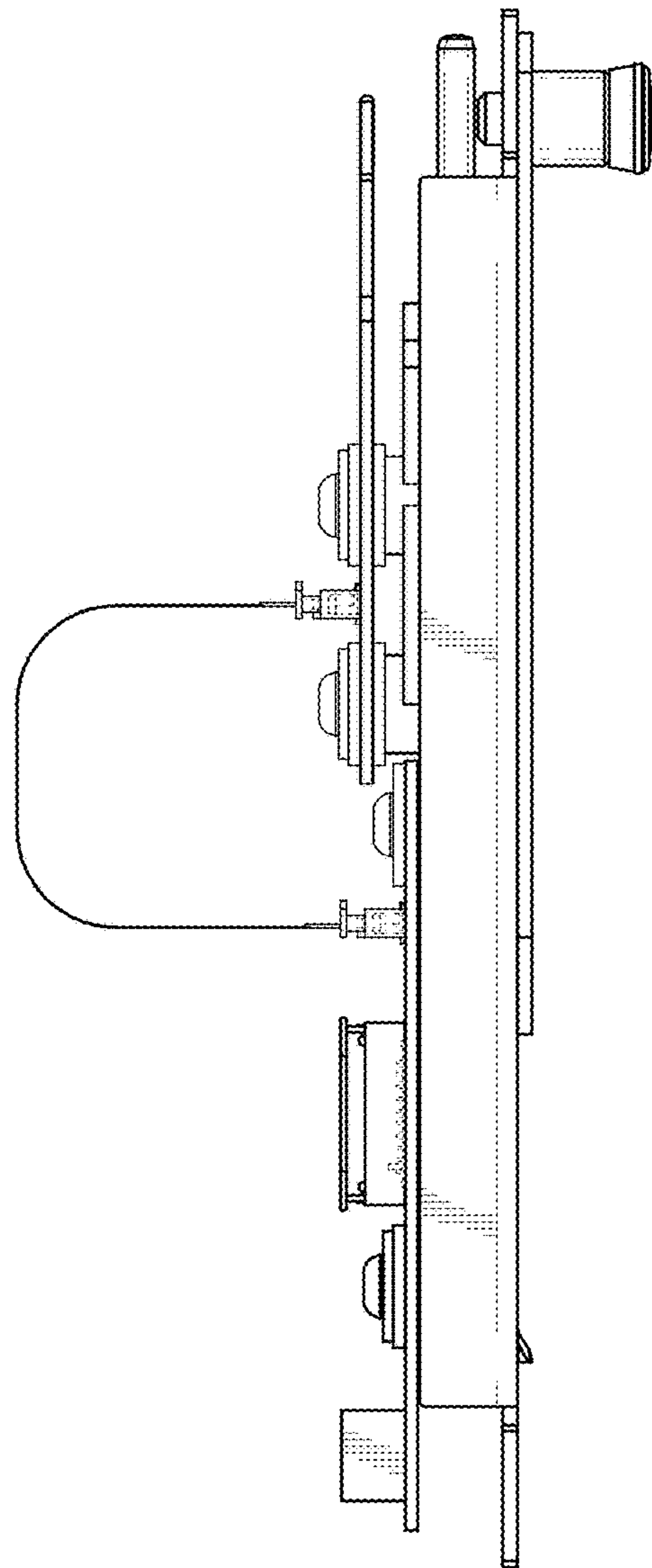
**FIG. 3**



*FIG. 4*

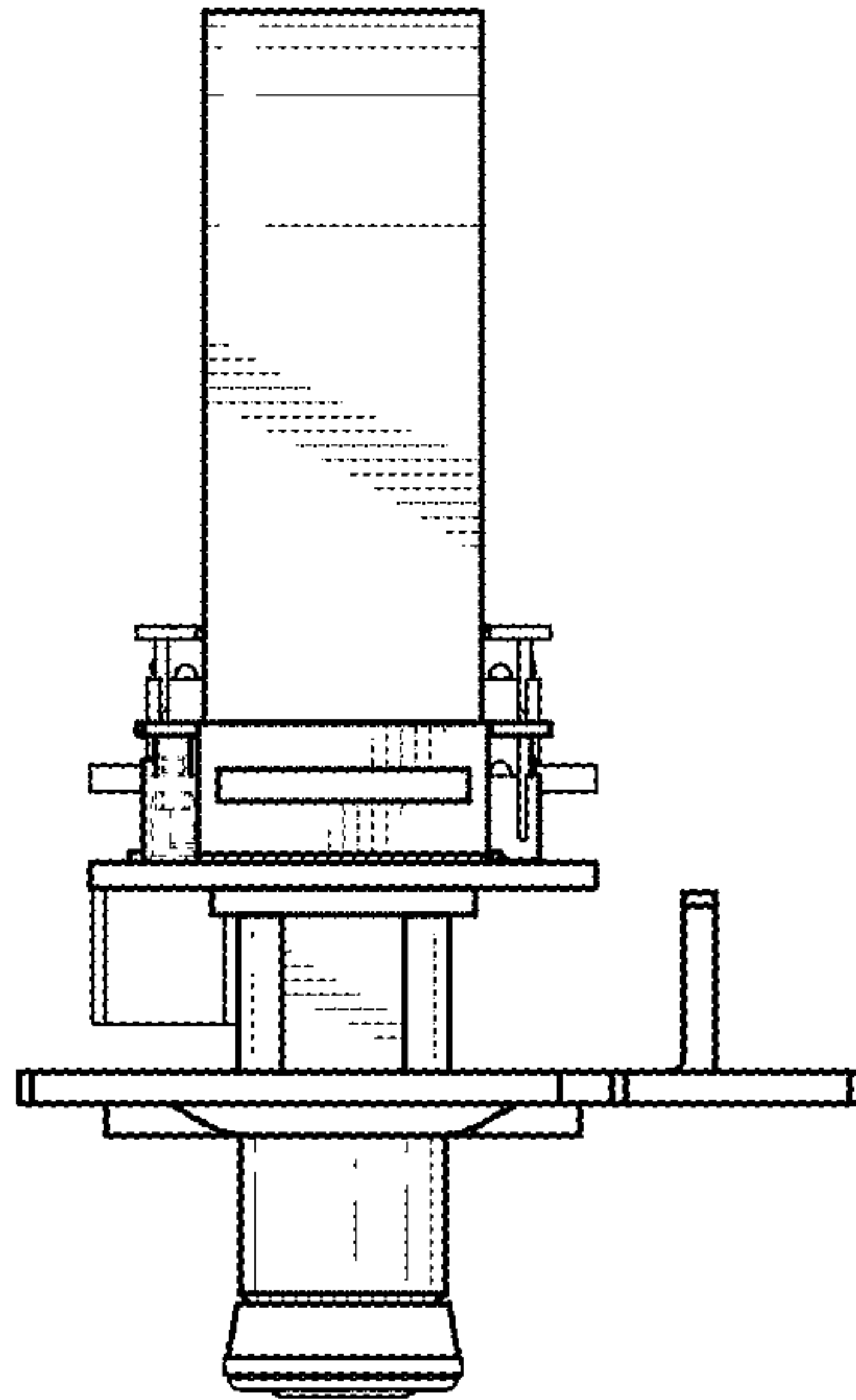


*FIG. 5*

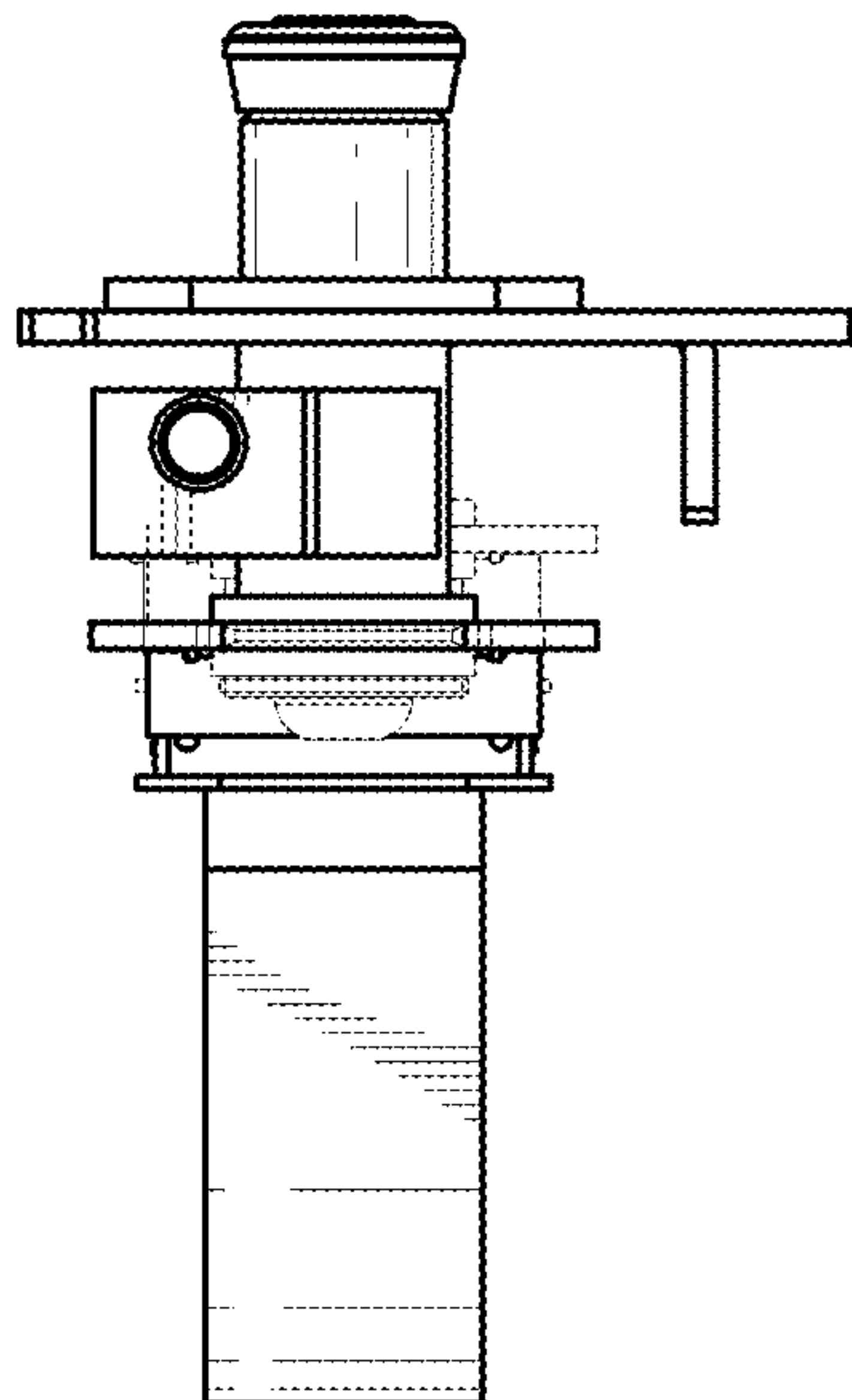




**FIG. 6**



**FIG. 7**



**FIG. 8**

