



US00D832788S

(12) **United States Design Patent**
Li et al.

(10) **Patent No.:** **US D832,788 S**

(45) **Date of Patent:** **** Nov. 6, 2018**

(54) **MICRO POWER CONNECTOR**

CPC H01R 12/724; H01R 12/7088; H01R 13/422; H01R 13/6271; H01R 13/652; H01R 13/6582; H01R 13/6683

(71) Applicants: **Tyco Electronics (Shanghai) Co. Ltd.**, Shanghai (CN); **Tyco Electronics Corporation**, Berwyn, PA (US); **Tyco Electronics Svenska AB**, Vasby (SE)

See application file for complete search history.

(56) **References Cited**

(72) Inventors: **Qianjin Li**, Shanghai (CN); **David Patrick Orris**, Berwyn, PA (US); **Hacan Hyving**, Vasby (SE); **Rickard Barrefelt**, Vasby (SE); **Guangming Zhao**, Shanghai (CN)

U.S. PATENT DOCUMENTS

D316,703 S *	5/1991	Eto	D13/147
D597,491 S *	8/2009	Sakamoto	D13/147
D604,248 S *	11/2009	Sakamoto	D13/147
D761,206 S *	7/2016	Chen	D13/146
D762,585 S *	8/2016	Chen	D13/147

* cited by examiner

(73) Assignees: **Tyco Electronics (Shanghai) Co. Ltd.**, Shanghai (CN); **Tyco Electronics Svenska AB**, Vasby (SE); **TE Connectivity Corporation**, Berwyn, PA (US)

Primary Examiner — Daniel Bui

(74) *Attorney, Agent, or Firm* — Barley Snyder

(57) **CLAIM**

The ornamental design for a micro power connector, as shown and described.

(**) Term: **15 Years**

DESCRIPTION

(21) Appl. No.: **29/556,051**

FIG. 1 is a top, front and right side perspective view of a micro power connector, showing our new design; FIG. 2 is a front elevational view thereof; FIG. 3 is a rear elevational view thereof; FIG. 4 is a left side elevational view thereof; FIG. 5 is a right side elevational view thereof; FIG. 6 is a top plan view thereof; and, FIG. 7 is a bottom plan view.

(22) Filed: **Feb. 26, 2016**

The broken lines shown in the drawing views represents unclaimed environmental portions only and form no part of the claimed design.

(30) **Foreign Application Priority Data**

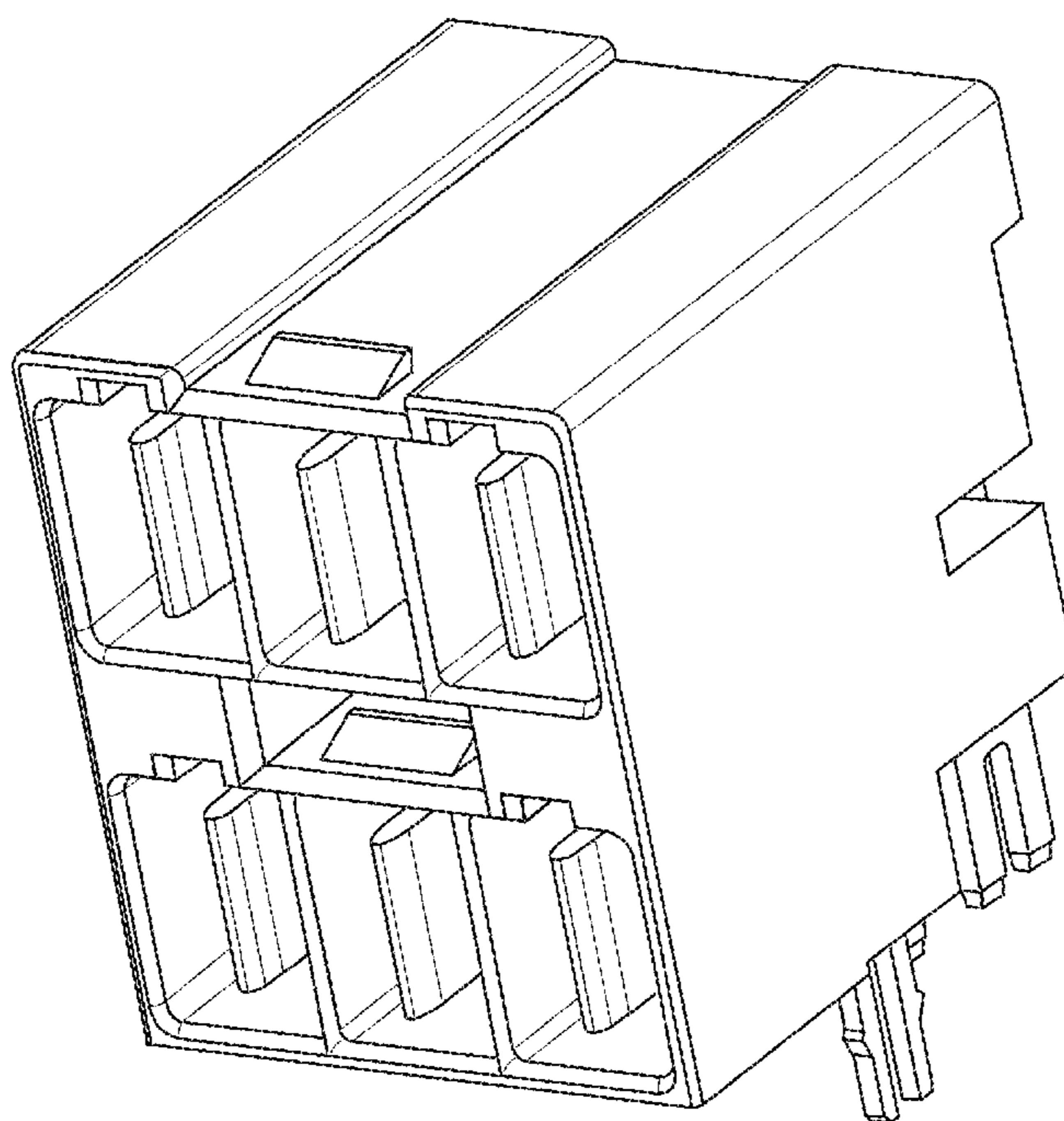
Aug. 27, 2015 (CN) 2015 3 0327475

(51) **LOC (11) Cl.** **13-03**

(52) **U.S. Cl.**
USPC **D13/147**

(58) **Field of Classification Search**
USPC D13/133, 146, 147, 154, 184, 199

1 Claim, 7 Drawing Sheets



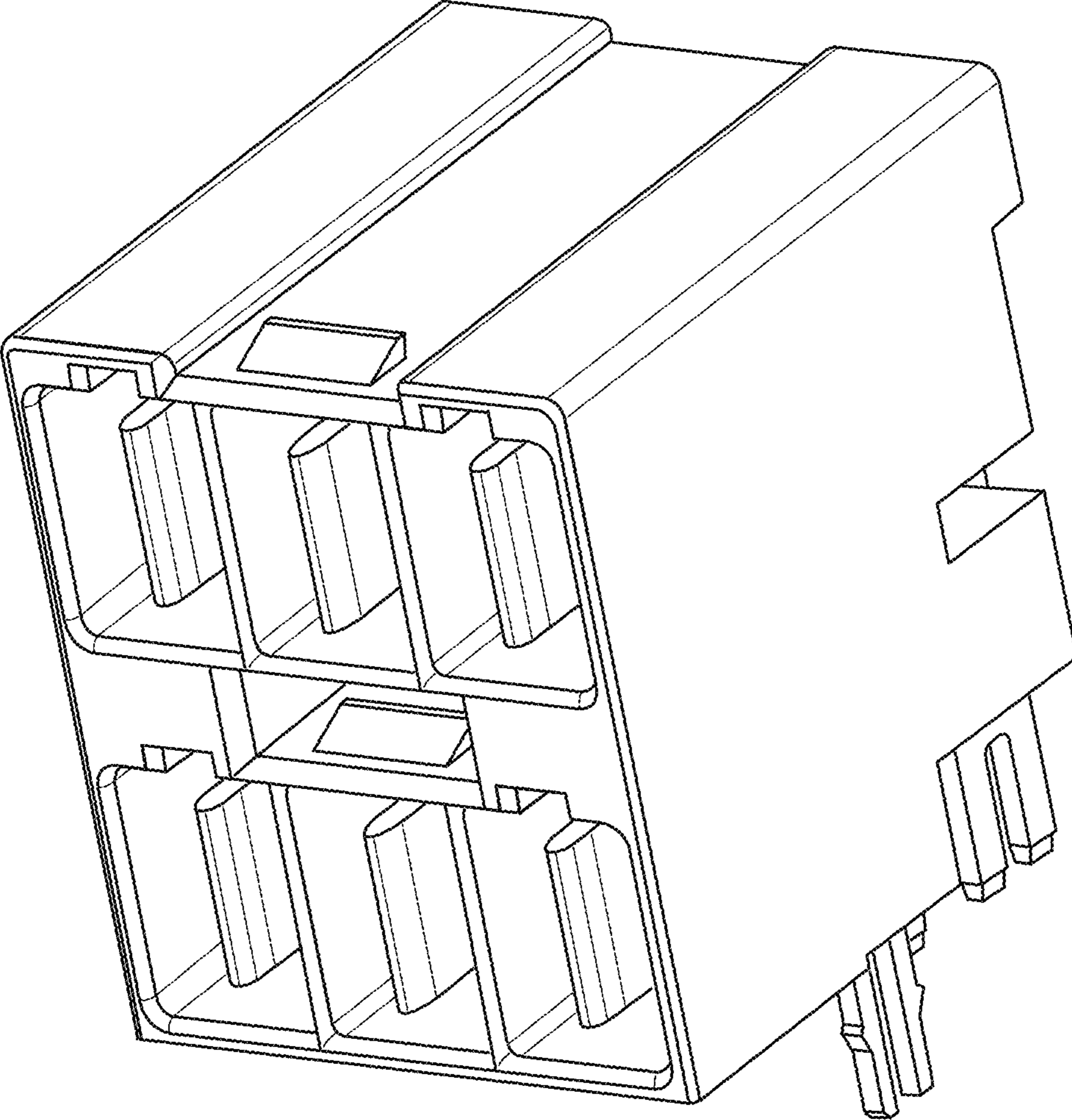


FIG. 1

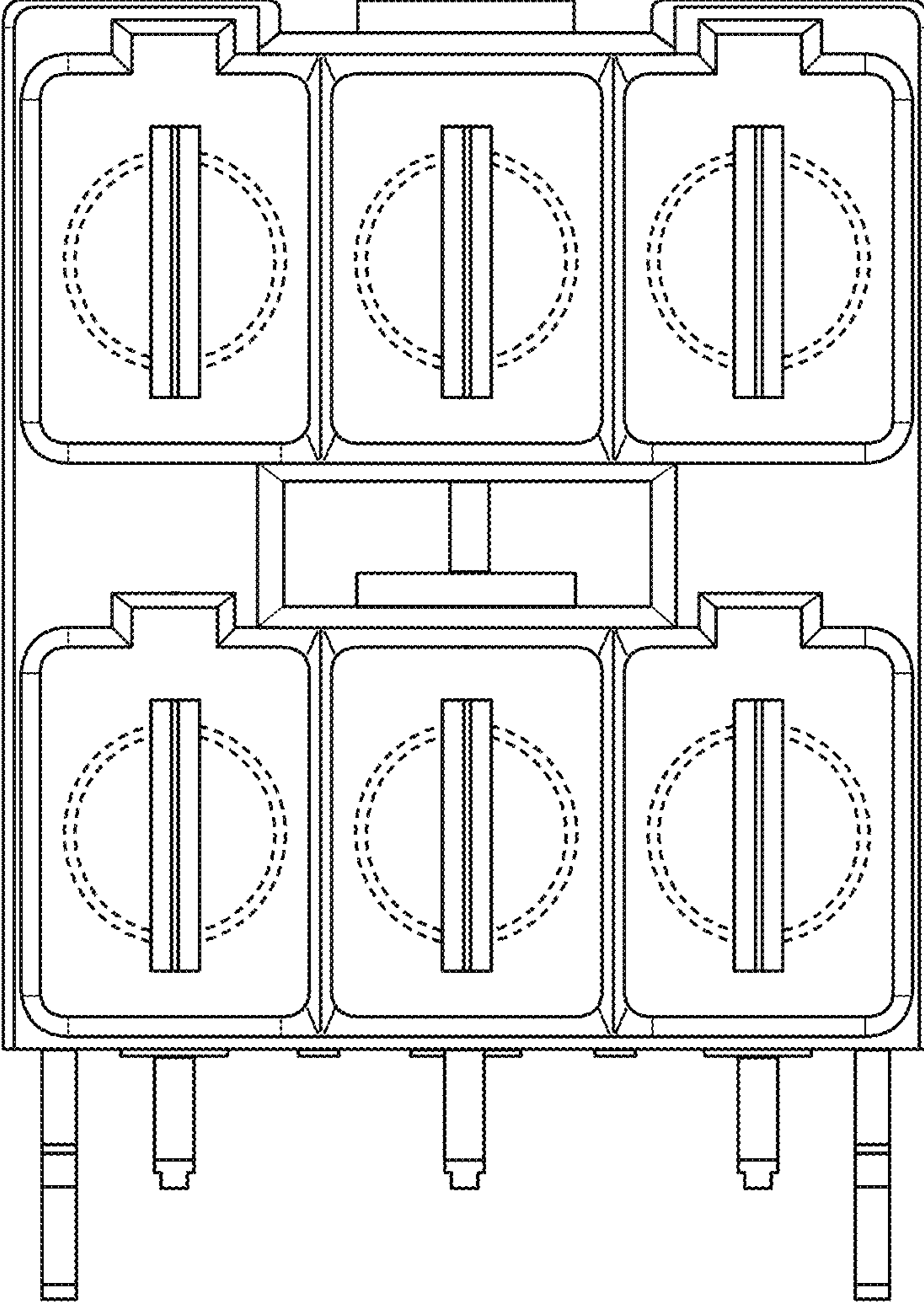


FIG. 2

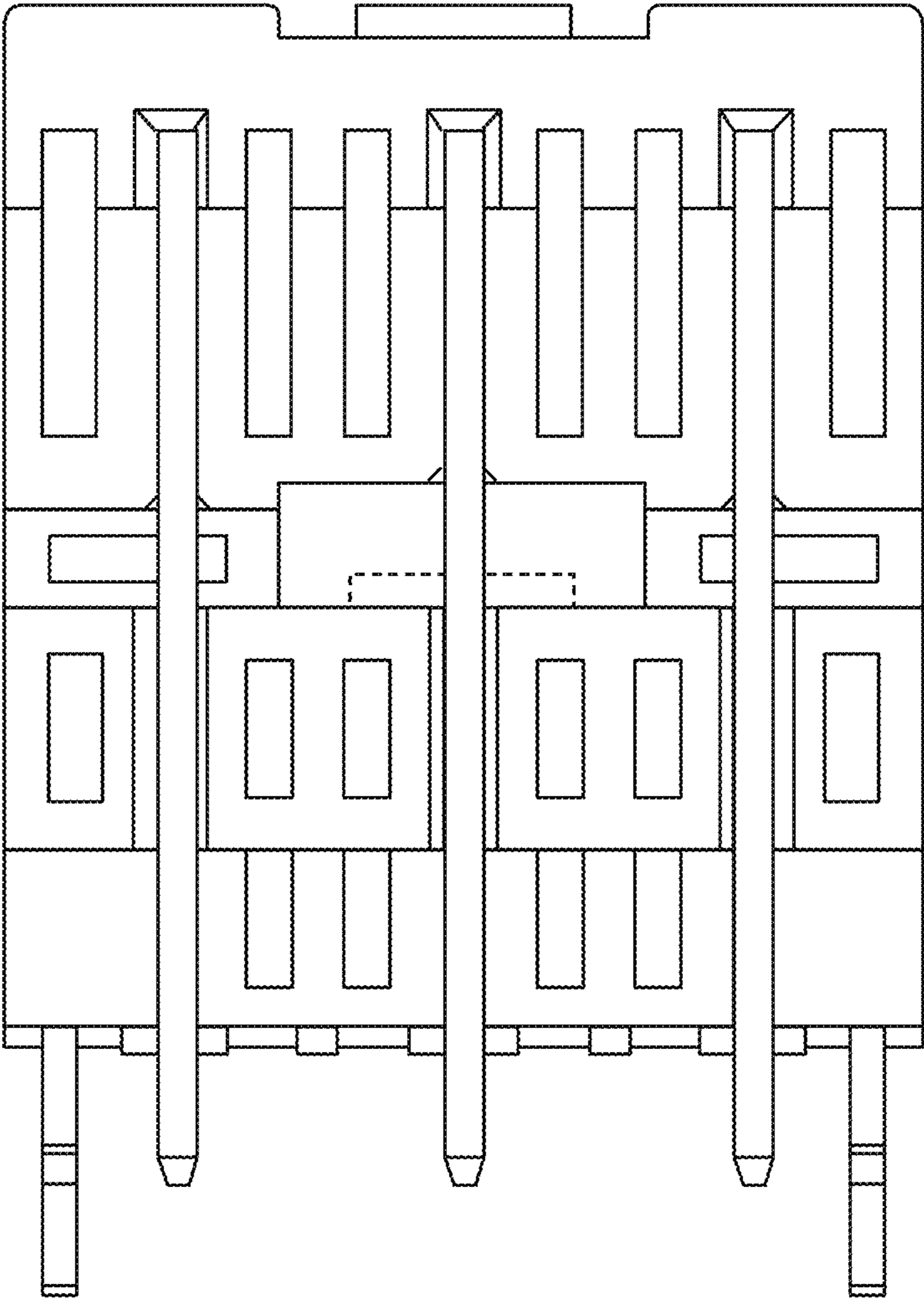


FIG. 3

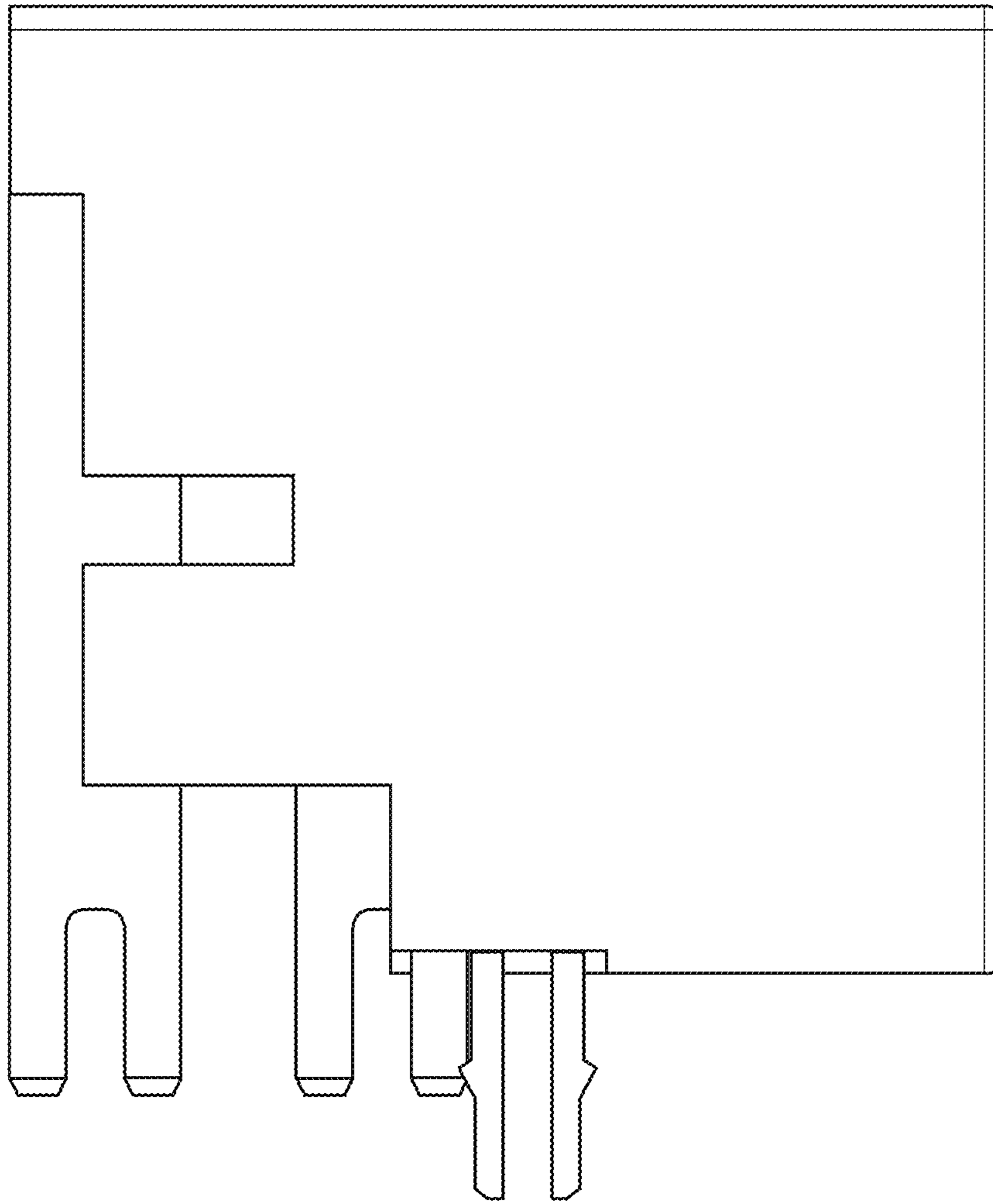


FIG. 4

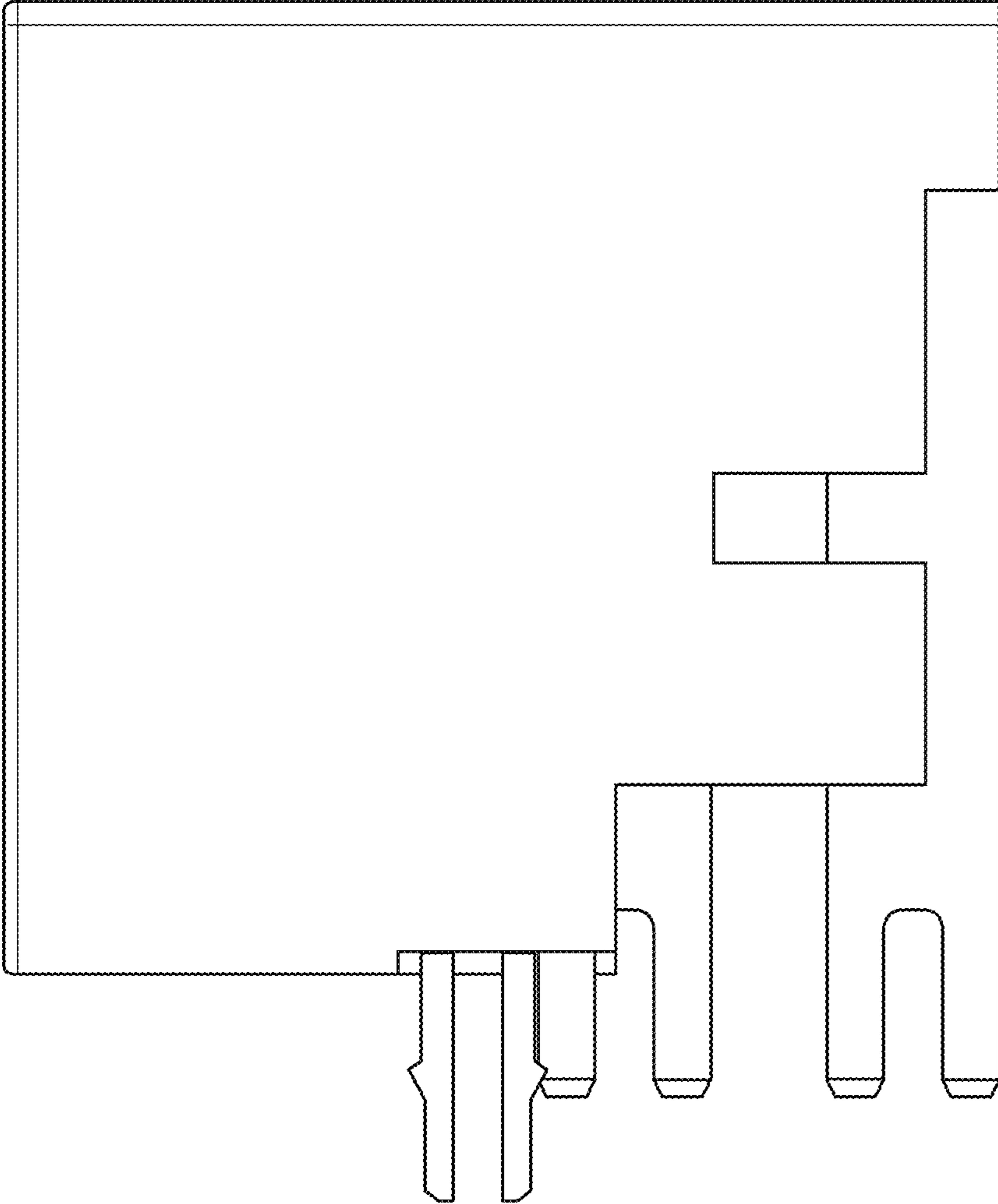


FIG. 5

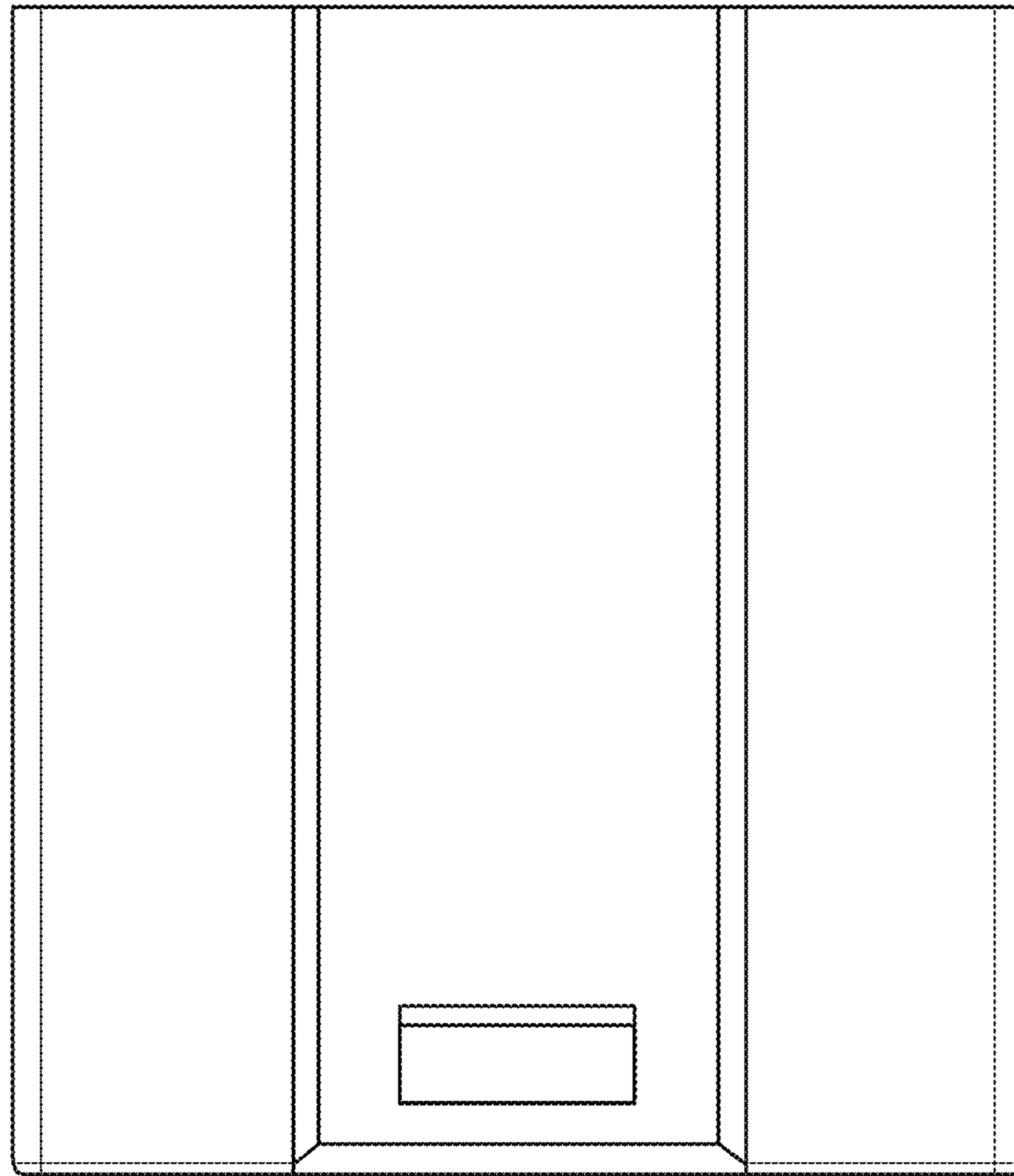


FIG. 6

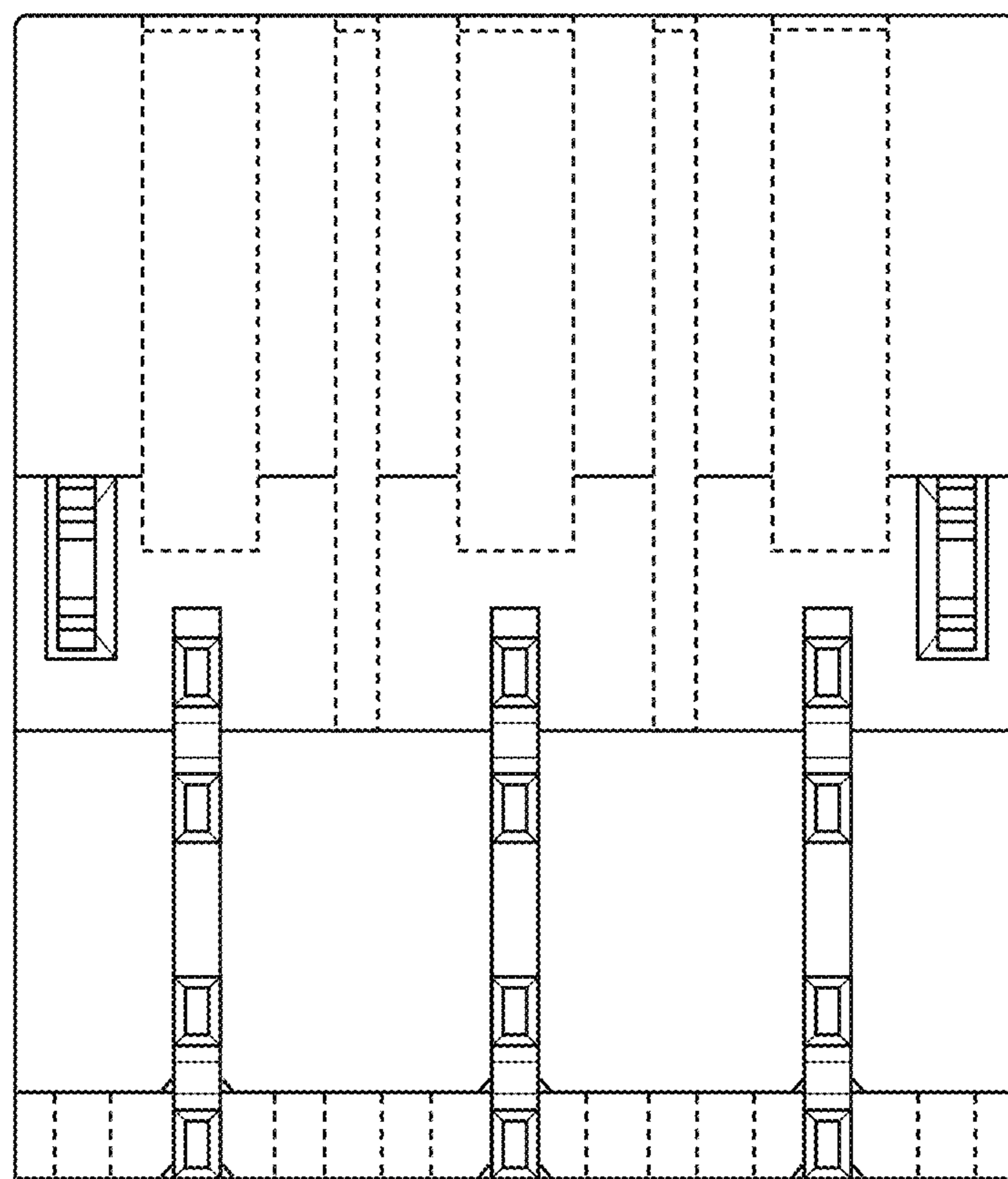


FIG. 7