



US00D832785S

(12) **United States Design Patent** (10) **Patent No.:** **US D832,785 S**
Rostami (45) **Date of Patent:** **** Nov. 6, 2018**

- (54) **PORTABLE POWER SUPPLY**
- (71) Applicant: **Advanced Wireless Innovations LLC**,
Santa Monica, CA (US)
- (72) Inventor: **Ramin Rostami**, Calabasas, CA (US)
- (73) Assignee: **Advanced Wireless Innovations, LLC**,
Santa Monica, CA (US)

(**) Term: **15 Years**

(21) Appl. No.: **29/589,974**

(22) Filed: **Jan. 5, 2017**

(51) **LOC (11) Cl.** **13-02**

(52) **U.S. Cl.**

USPC **D13/108**; D13/103

(58) **Field of Classification Search**

USPC D13/102-104, 110, 118-121, 184, 199,
D13/107, 108; D14/356, 432; D20/27,
D20/22

CPC Y02E 60/12; Y02E 60/122; Y02E 60/124;
Y02E 60/50; H01M 10/4257; H01M
10/0436; H01M 10/48; H01M 10/44;
H01M 10/46; H01M 10/482; H01M
10/465; H01M 2/02; H01M 2/022; H01M
2/0202; H01M 2/0207; H01M 2/0212;
H01M 2/1061; H01M 2/1022; H01M
2/1055; H01M 2/1066; H01M 2/105;
H01M 2/204; H02J 7/00; H02J 7/0003;
H02J 7/0011; H02J 7/0013; H02J 7/0054;
H02J 7/0055; H02J 7/0057; H02J
2007/0062

See application file for complete search history.

(56) **References Cited**

U.S. PATENT DOCUMENTS

- D287,864 S 1/1987 Perfect
- D377,810 S 2/1997 Chaperon
- D590,392 S 4/2009 Wang

- D592,660 S 5/2009 Wang
- D599,409 S 9/2009 Kan
- D602,430 S * 10/2009 Green D13/110
- 8,013,478 B2 9/2011 Chen et al.
- D665,851 S 8/2012 Davis
- D666,144 S 8/2012 Brand et al.
- D680,062 S * 4/2013 Lien D13/103
- D683,314 S * 5/2013 Andre D13/108
- D686,153 S 7/2013 Qu

(Continued)

FOREIGN PATENT DOCUMENTS

- CA 2939721 A1 8/2014
- CN 203674765 U 6/2014

(Continued)

OTHER PUBLICATIONS

“Jump Cable.” Native Union, <http://www.nativeunion.com/jump-cable/>. Accessed on Jan 5, 2017. pp. 1-2.

(Continued)

Primary Examiner — Rosemary K Tarcza
Assistant Examiner — Christy M Nemeth
(74) *Attorney, Agent, or Firm* — Mintz Levin Cohn Ferris
Glovsky and Popeo, P.C.

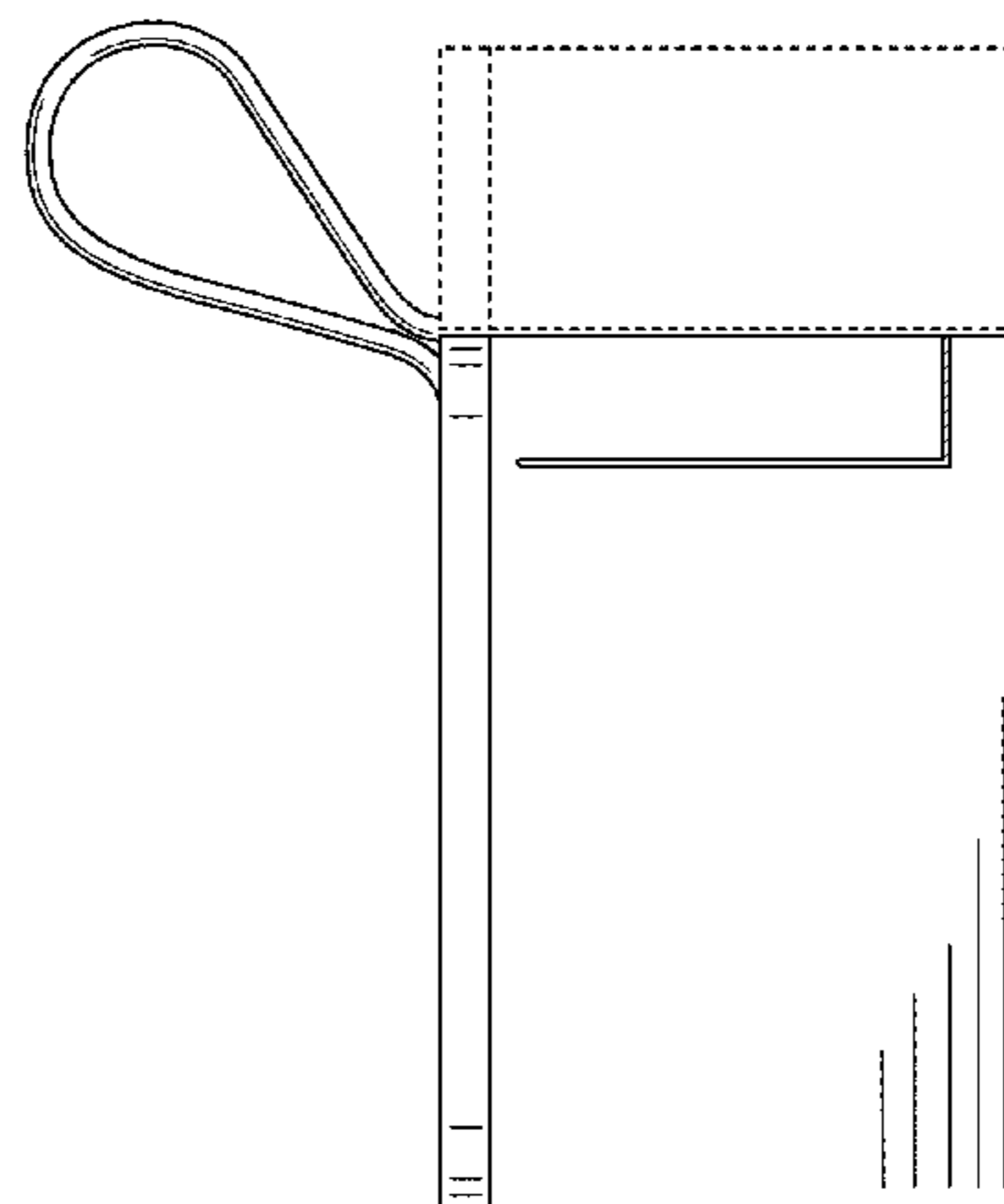
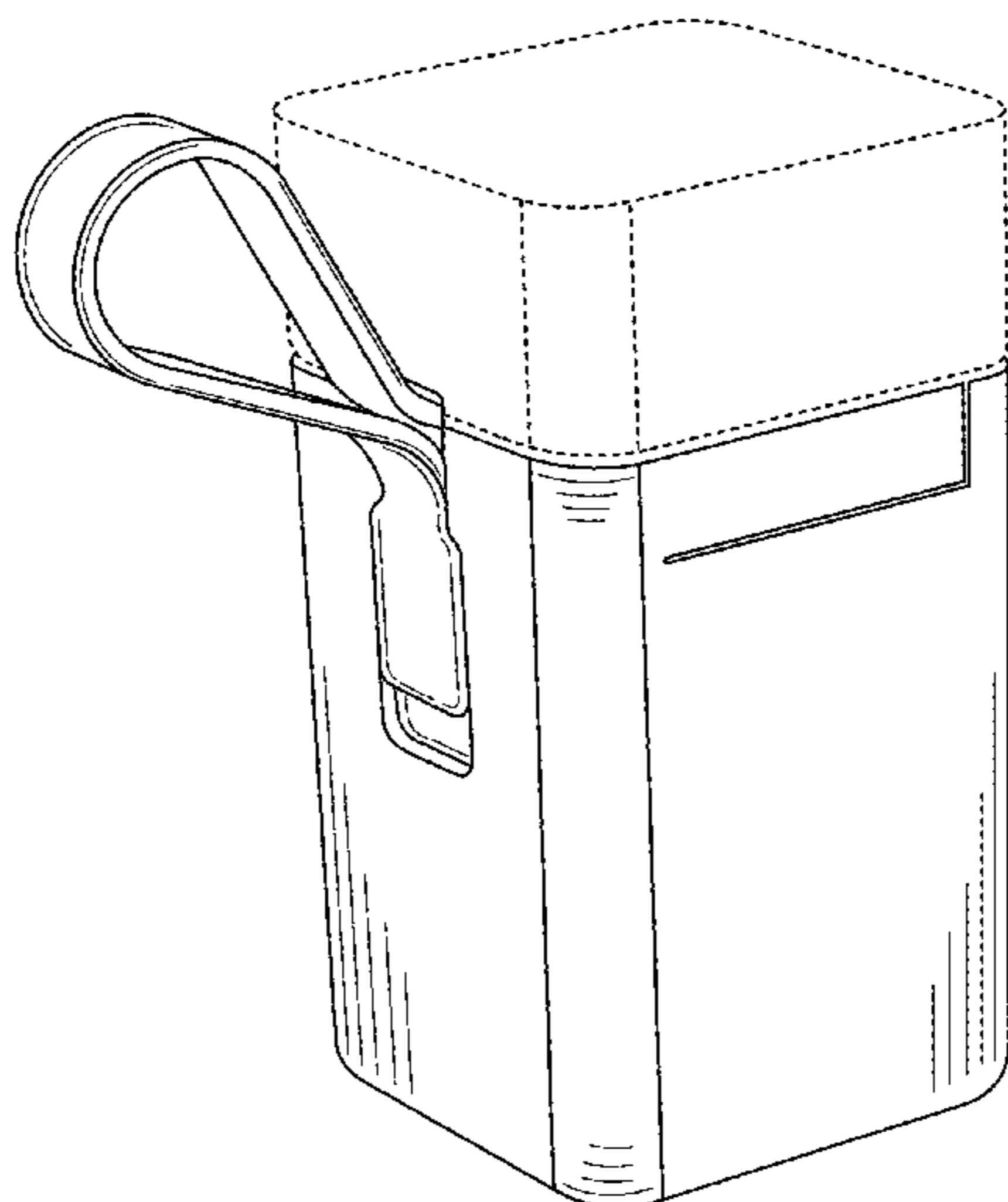
(57) **CLAIM**

The ornamental design for a portable power supply, as shown and described.

DESCRIPTION

FIG. 1 is a perspective view of a portable power supply of my new design;
FIG. 2 is a side view thereof;
FIG. 3 is a rear view thereof; and,
FIG. 4 is a top view thereof.
The broken lines in the drawings are for the purpose of illustrating portions of the portable power supply that form no part of the claimed design.

1 Claim, 4 Drawing Sheets



(56)

References Cited

U.S. PATENT DOCUMENTS

D693,299 S * 11/2013 Zaslavsky D13/110
 D706,228 S * 6/2014 Ishiura D13/110
 D719,504 S 12/2014 Zsolcsak et al.
 D721,646 S 1/2015 Kim
 D722,961 S 2/2015 Lin et al.
 D725,591 S 3/2015 Chien et al.
 D726,654 S * 4/2015 Jung D13/137.2
 D738,302 S * 9/2015 Jeong D13/108
 9,153,985 B1 10/2015 Gjovik et al.
 D742,311 S 11/2015 Miller et al.
 D745,456 S 12/2015 Fung et al.
 9,318,915 B2 4/2016 Miller et al.
 D756,943 S * 5/2016 Epstein D13/184
 D757,646 S 5/2016 Pearson
 D760,162 S 6/2016 Park et al.
 D760,645 S * 7/2016 Chen D13/103
 D762,164 S 7/2016 Lin et al.
 D764,404 S 8/2016 Lau et al.
 D765,593 S * 9/2016 Hoshikawa D13/103
 D766,179 S 9/2016 Polk
 D768,068 S 10/2016 Chen
 D770,376 S 11/2016 Baum et al.
 D772,807 S 11/2016 Chen
 D776,051 S 1/2017 Wang
 D780,113 S 2/2017 Xianxi
 D783,523 S 4/2017 Jang et al.
 D795,185 S 8/2017 Sollberger
 D795,801 S 8/2017 Fletcher et al.
 2013/0082543 A1 4/2013 Tang
 2015/0346773 A1* 12/2015 Choi H04M 1/04
 361/679.44

2015/0380962 A1 12/2015 Hsu
 2016/0049818 A1 2/2016 Yao et al.
 2016/0197445 A1 7/2016 Bryngelsson et al.

FOREIGN PATENT DOCUMENTS

CN 201330527430.5 6/2014
 CN 104767229 A 7/2015
 CN 204668991 U 9/2015
 DE 0027580110002 8/2015
 HK 1300804 10/2013
 HK 1400589.4 10/2014
 JP 1452553 S 10/2012
 KR 20120127681 A 11/2012
 KR 3020140052607 1/2015
 KR 3020150064678 6/2016
 WO WO-2015/069095 A1 5/2015

OTHER PUBLICATIONS

“MyCharge.” Geek Mom, <http://geekmom.com/tag/mycharge/>. Jun. 21, 2012. Web. Accessed on Nov. 16, 2016. pp. 1-13.
 “Portable Charger RAVPower 9000mAh Power Bank.” Amazon, <https://www.amazon.com/RAVPower-Certified-Lightning-Connector-Compatibility/dp/B00Q2B5KY2>. Accessed on Jan. 5, 2017. 5 pages.
 “Thino.” Bebop, <http://bebopdesigners.com/thino>. Accessed on Nov. 16, 2016. pp. 1-9.
 Hohn, Holger. “Philips PowerPouch DLP7003.” Behance, <https://www.behance.net/gallery/32957699/Philips-RowerPouch-DLP7003-2015>. Web. Accessed on Jan. 5, 2017. pp. 1-4.
 Liszewski, Andrew. “This Portable Charger Has Every Connector You’ll Need, Even AC Prongs.” Gizmodo, Nov. 12, 2014, <http://gizmodo.com/this-portable-charger-has-every-connector-youll-need-e-1657911281>. Accessed Apr. 4, 2017. 2 pages.

* cited by examiner

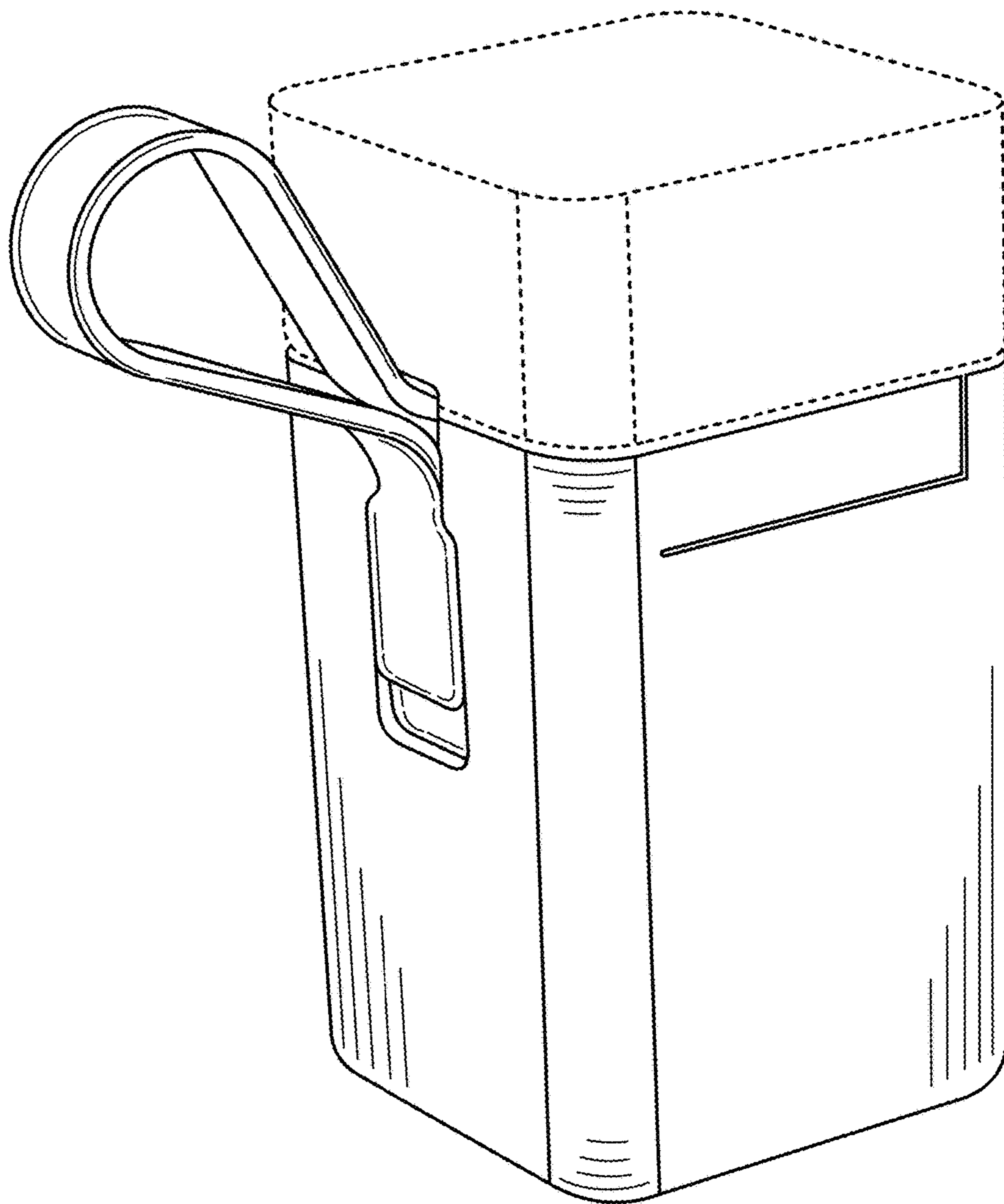


FIG. 1

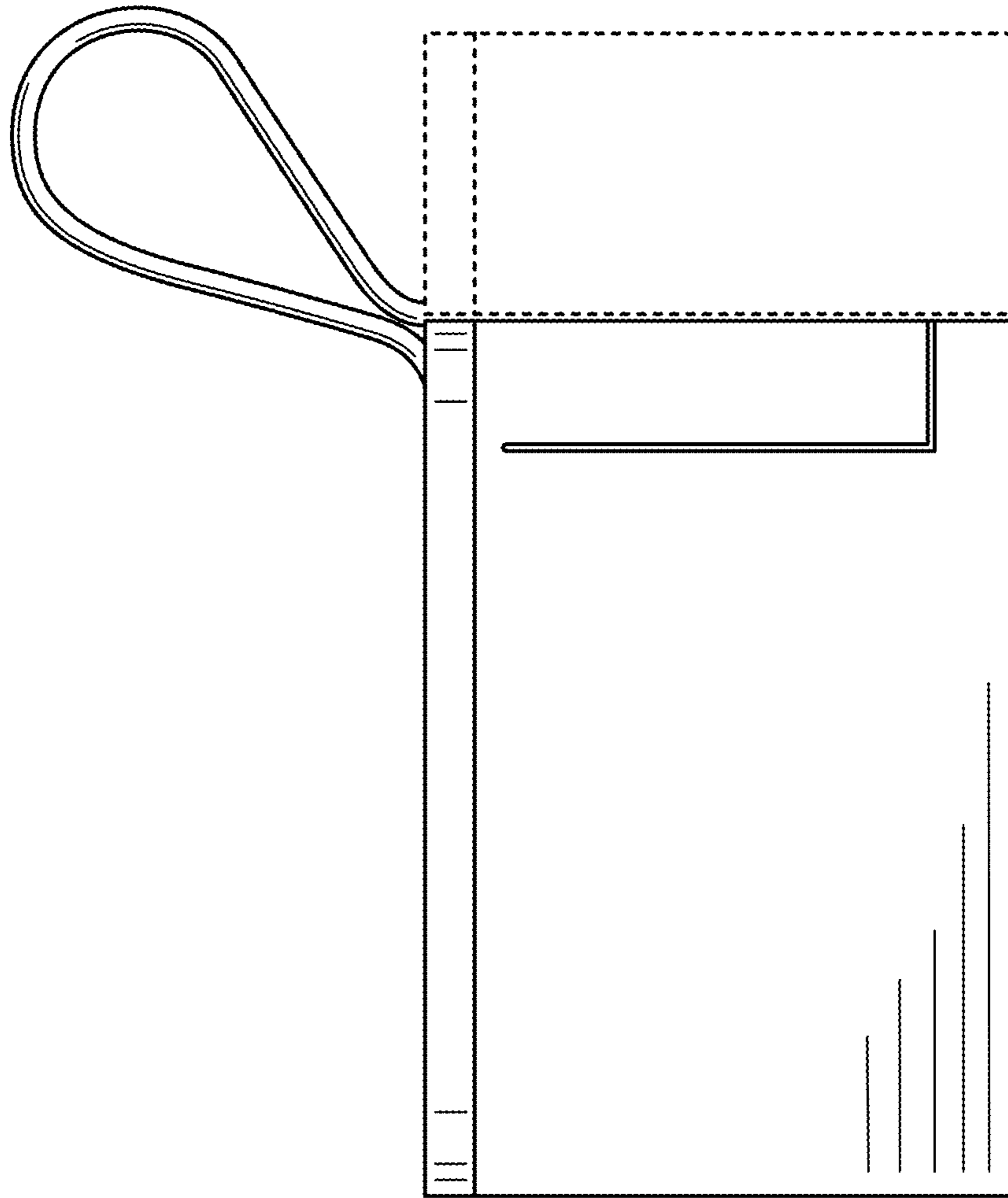


FIG. 2

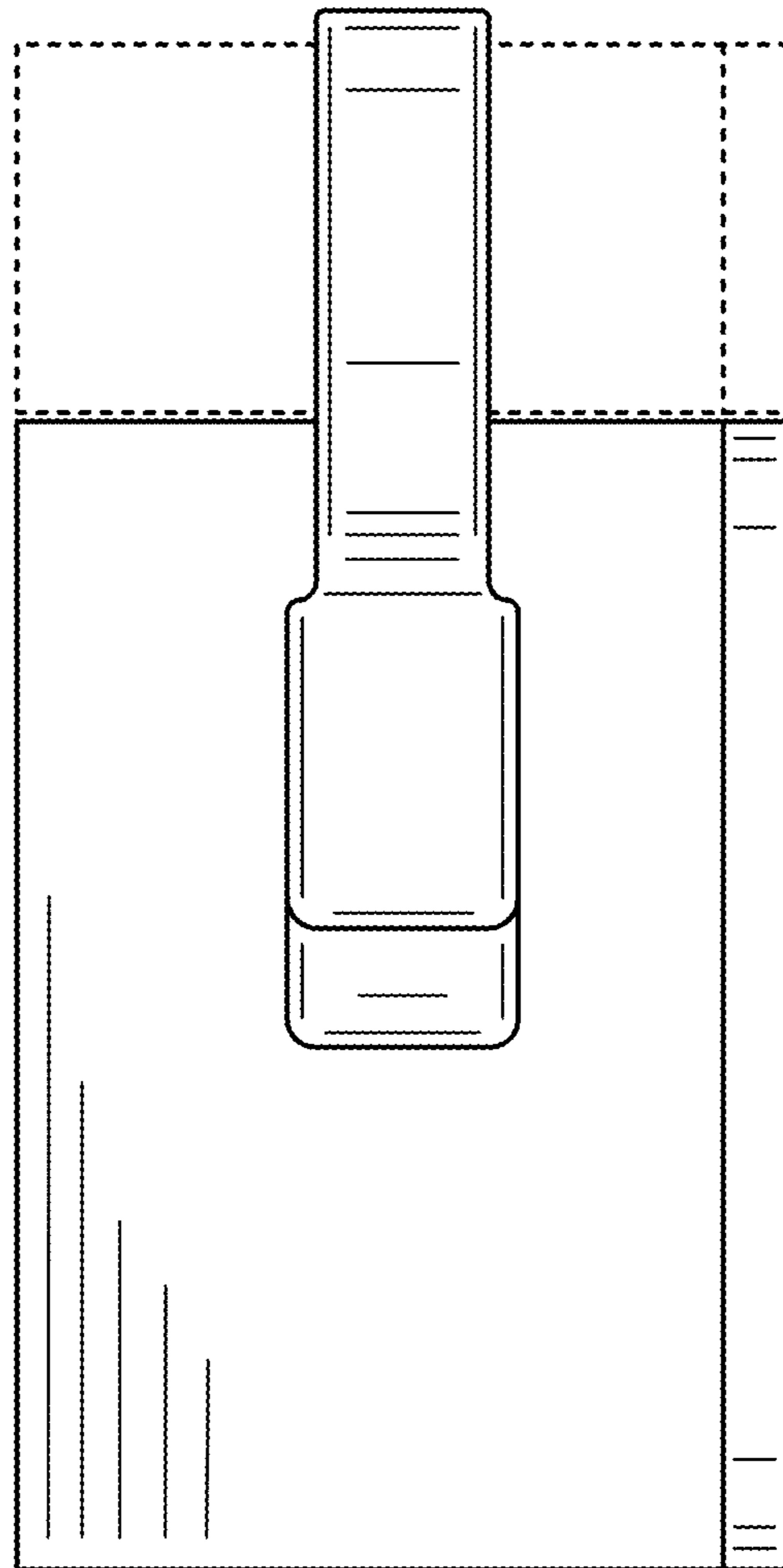


FIG. 3

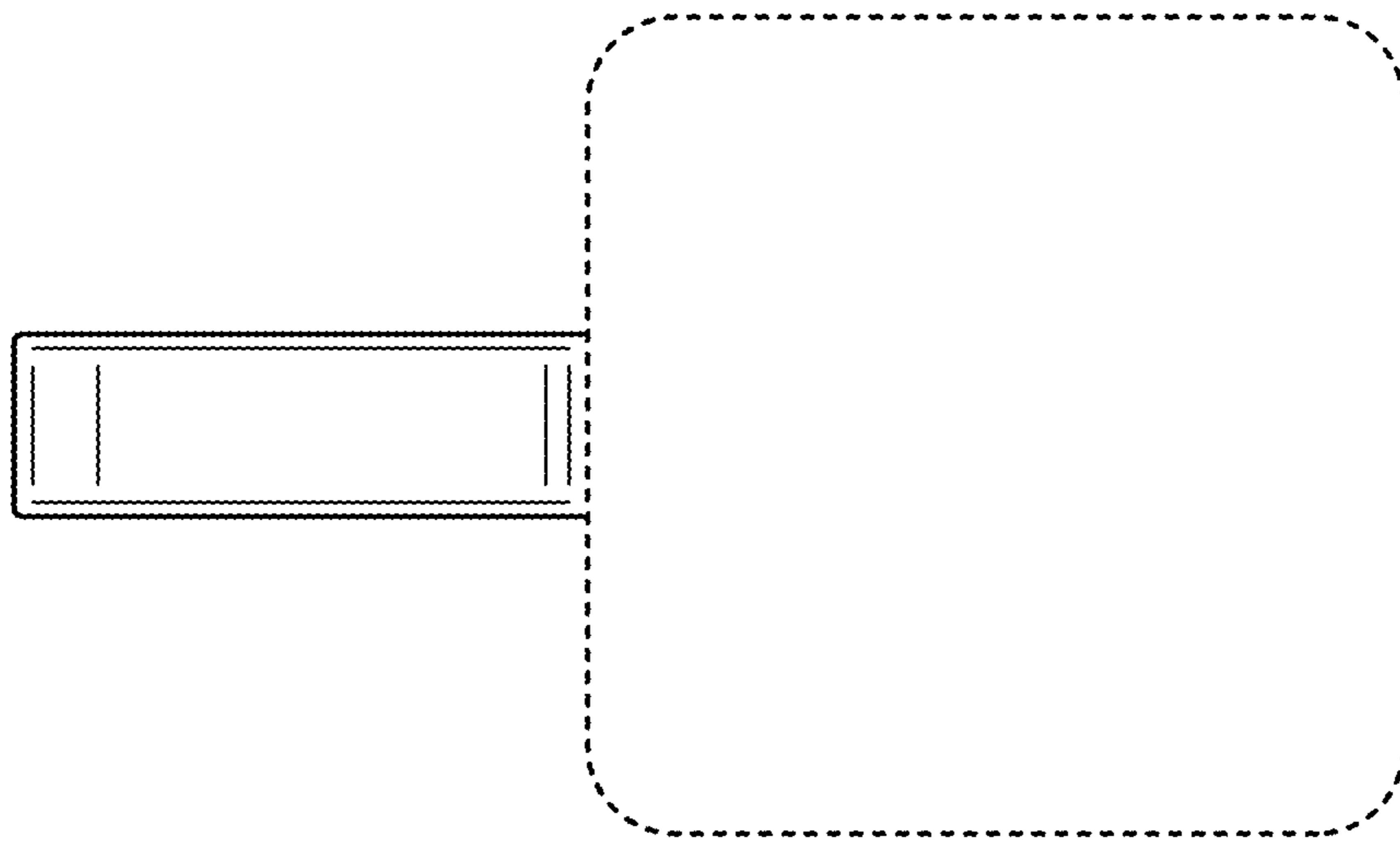


FIG. 4