



US00D832784S

(12) **United States Design Patent** (10) **Patent No.:** **US D832,784 S**  
**Zhao** (45) **Date of Patent:** **\*\* Nov. 6, 2018**

(54) **MODULAR POWER BANK**

**DESCRIPTION**

(71) Applicant: **Wenming Zhao**, Shaoyang (CN)

(72) Inventor: **Wenming Zhao**, Shaoyang (CN)

(\*\*) Term: **15 Years**

(21) Appl. No.: **29/570,147**

(22) Filed: **Jul. 5, 2016**

(30) **Foreign Application Priority Data**

Jan. 4, 2016 (CN) ..... 2016 3 0000280  
Jan. 4, 2016 (CN) ..... 2016 3 0000377  
Jan. 4, 2016 (CN) ..... 2016 3 0000603  
Jan. 4, 2016 (CN) ..... 2016 3 0001159

(51) **LOC (11) Cl.** ..... **13-02**

(52) **U.S. Cl.**  
USPC ..... **D13/108**

(58) **Field of Classification Search**  
USPC ..... D13/102–110, 118–119, 184, 199;  
D14/356, 432  
CPC ..... Y02E 60/10; Y02E 60/12; Y02E 60/122;  
Y02E 60/124; Y02E 60/50; H01M 2/02;  
H01M 2/022; H01M 2/0202; H01M  
2/0207; H01M 2/0212; H01M 2/1061;  
H01M

(Continued)

(56) **References Cited**

**U.S. PATENT DOCUMENTS**

D598,375 S \* 8/2009 Nomi ..... D13/108  
D618,614 S \* 6/2010 Symons ..... D13/108

(Continued)

*Primary Examiner* — Rosemary K Tarcza

*Assistant Examiner* — Alison M Ofstun

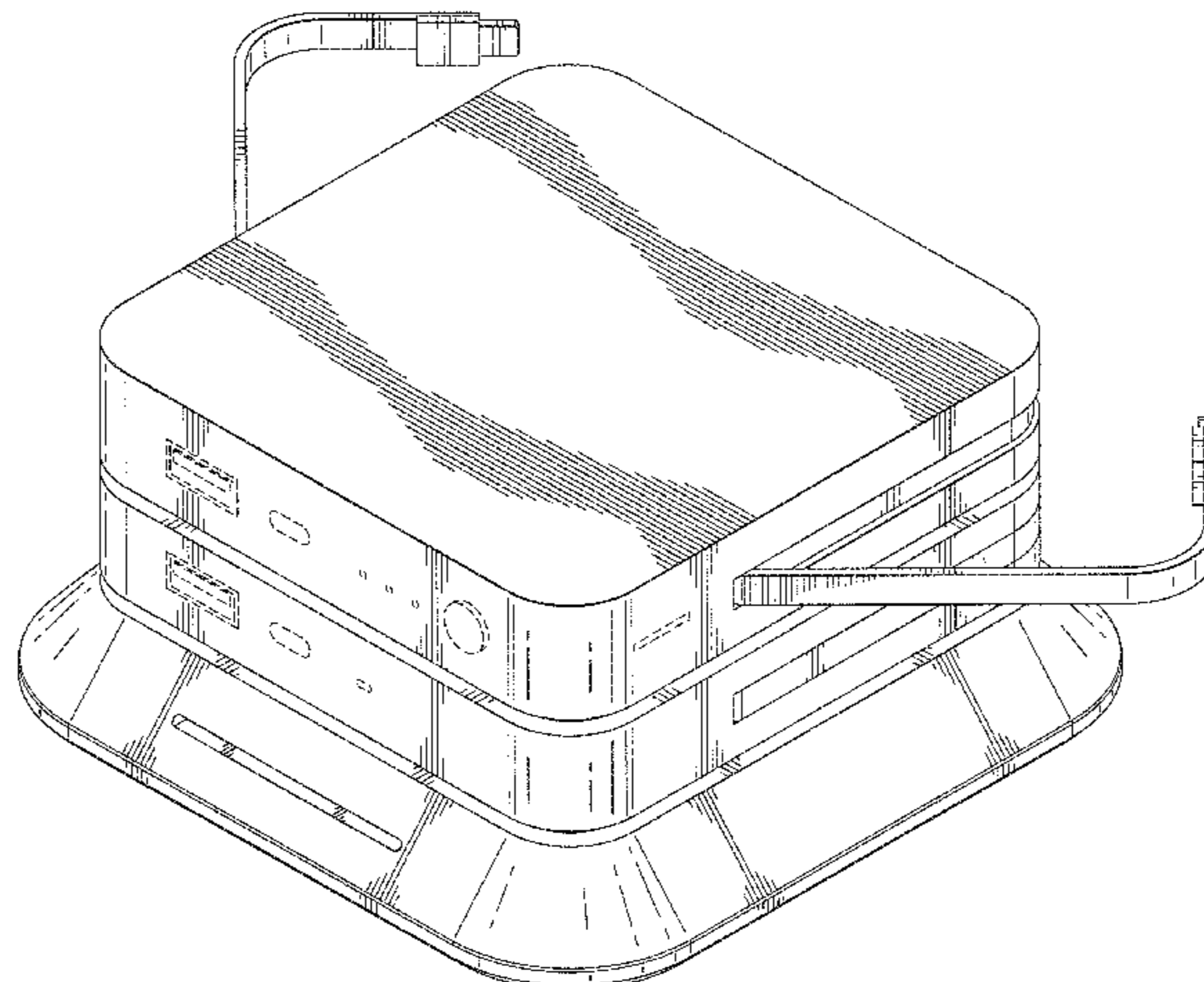
(57) **CLAIM**

The ornamental design for a modular power bank, as shown and described.

FIG. 1 is a perspective view of a modular power bank, showing my new design;  
FIG. 2 is a front view thereof;  
FIG. 3 is a back view thereof;  
FIG. 4 is a right side view thereof;  
FIG. 5 is a left side view thereof;  
FIG. 6 is a top view thereof;  
FIG. 7 is a bottom view thereof;  
FIG. 8 is a perspective view of a first component of a modular power bank, shown separately for ease of illustration;  
FIG. 9 is a front view thereof;  
FIG. 10 is a back view thereof;  
FIG. 11 is a right side view thereof;  
FIG. 12 is a left side view thereof;  
FIG. 13 is a top view thereof;  
FIG. 14 is a bottom view thereof;  
FIG. 15 is a perspective view of a second component of a modular power bank, shown separately for ease of illustration;  
FIG. 16 is a front view thereof;  
FIG. 17 is a back view thereof;  
FIG. 18 is a right side view thereof;  
FIG. 19 is a left side view thereof;  
FIG. 20 is a top view thereof;  
FIG. 21 is a bottom view thereof;  
FIG. 22 is a perspective view of a third component of a modular power bank, shown separately for ease of illustration;  
FIG. 23 is a front view thereof;  
FIG. 24 is a back view thereof;  
FIG. 25 is a right side view thereof;  
FIG. 26 is a left side view thereof;  
FIG. 27 is a top view thereof; and,  
FIG. 28 is a bottom view thereof.

The broken lines present in the drawings are included for the purpose of illustrating portions of the article which form no part of the claimed design.

**1 Claim, 20 Drawing Sheets**



(58) **Field of Classification Search**

CPC ..... 2/1022; H01M 2/1055; H01M 2/1066;  
H01M 2/105; H01M 2/20; H01M 2/202;  
H01M 2/204; H01M 2/206; H01M 10/44;  
H01M 10/46; H01M 10/465; H01M  
10/482; H01M 2200/30; H01M 2250/30;  
H01M 2250/40; H02J 7/00; H02J 7/0003;  
H02J 7/0011; H02J 7/0013; H02J 7/0054;  
H02J 7/0055; H02J 7/0057; H02J  
2007/0062

See application file for complete search history.

(56) **References Cited**

U.S. PATENT DOCUMENTS

D722,962	S	*	2/2015	Kim	.....	D13/108
D723,459	S	*	3/2015	Dang	.....	D13/108
D723,479	S	*	3/2015	Lee	.....	D14/125
D727,257	S	*	4/2015	Miller	.....	D13/103
D727,259	S	*	4/2015	Hwang	.....	D13/108
D754,751	S	*	4/2016	Kusano	.....	D14/203.3
D760,647	S	*	7/2016	Chen	.....	D13/103
D777,724	S	*	1/2017	Sterzick	.....	D14/348
D782,977	S	*	4/2017	Zhang	.....	D13/108
D784,258	S	*	4/2017	Vienna	.....	D13/108
D789,352	S	*	6/2017	Kong	.....	D14/314

\* cited by examiner

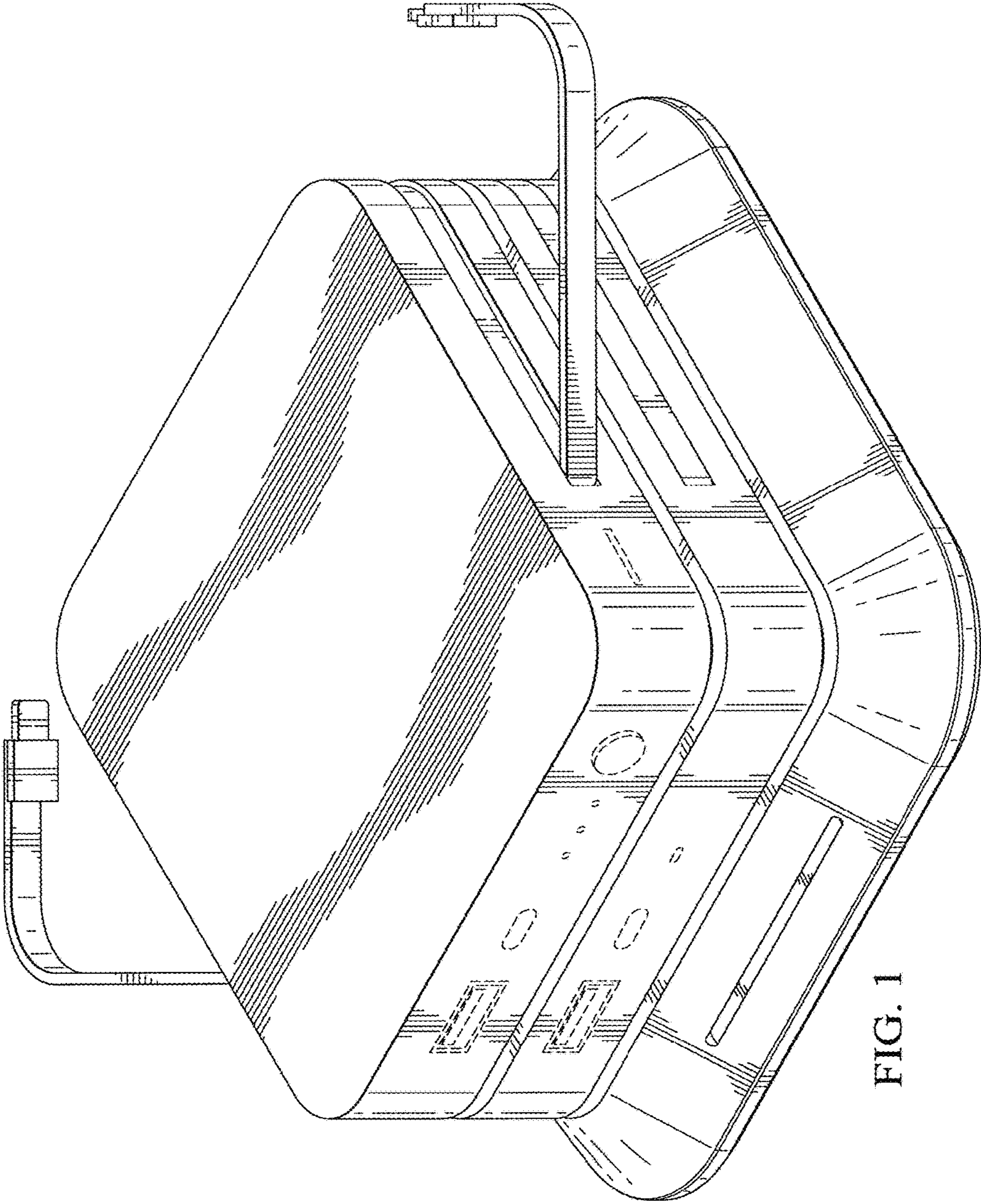


FIG. 1

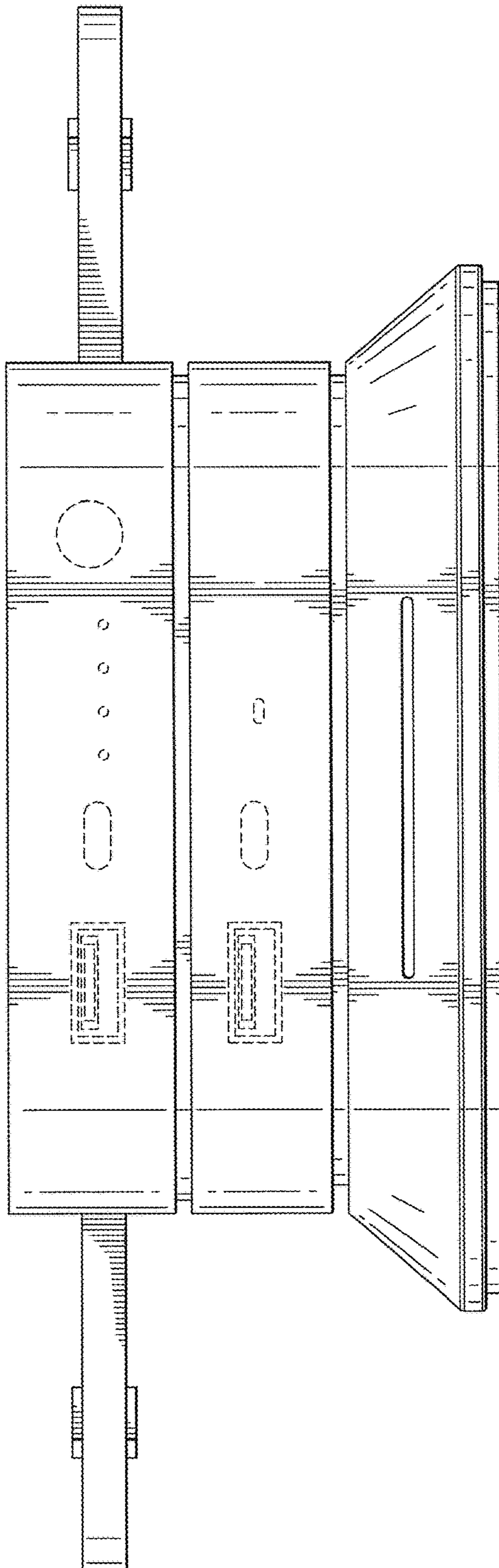


FIG. 2

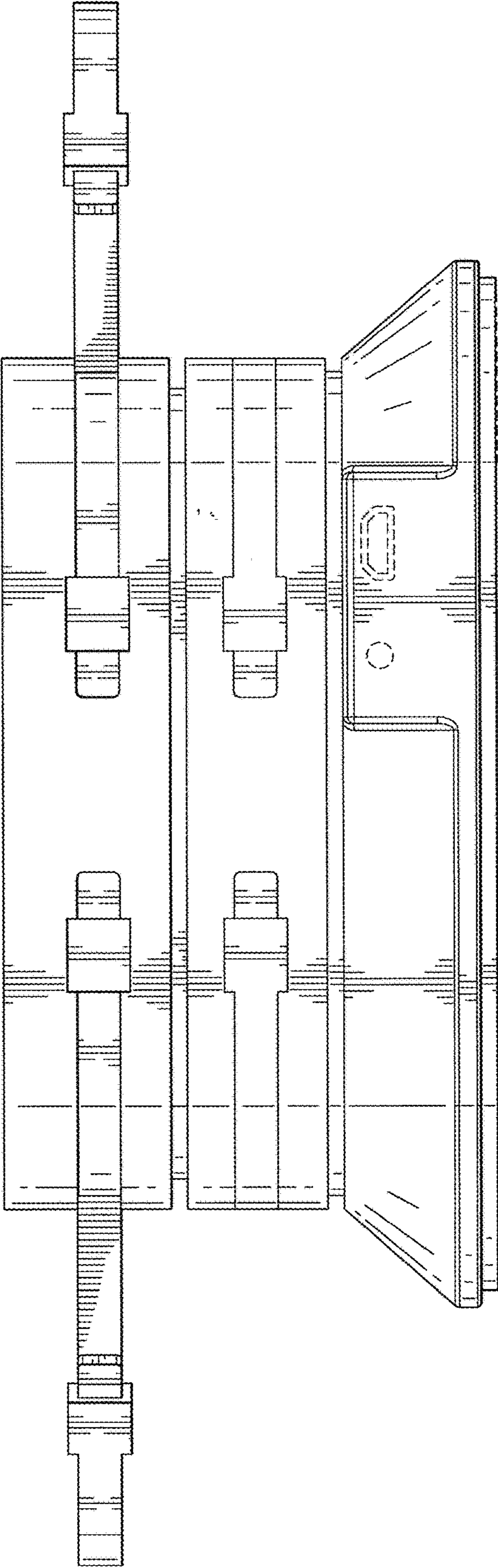


FIG. 3

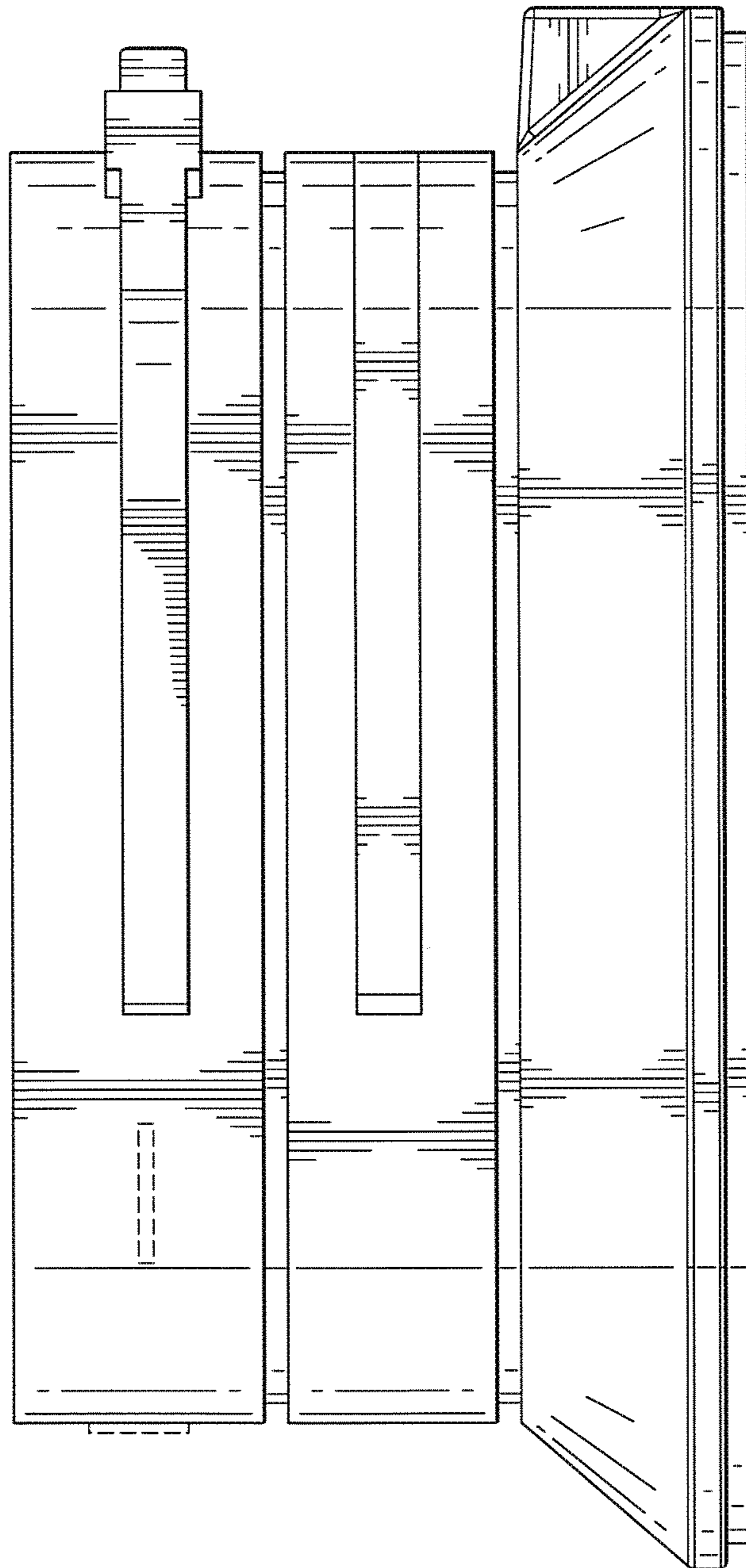


FIG. 4

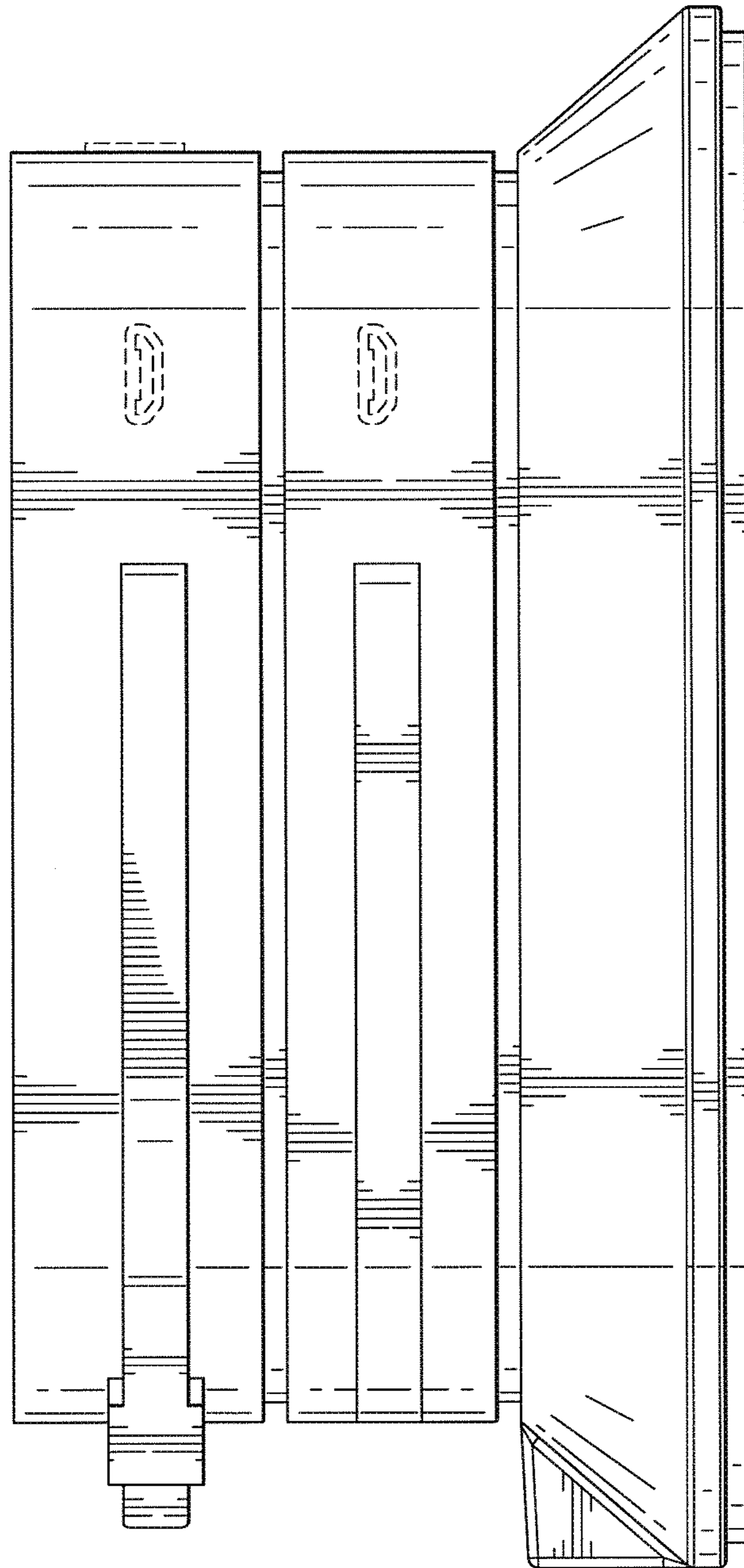


FIG. 5

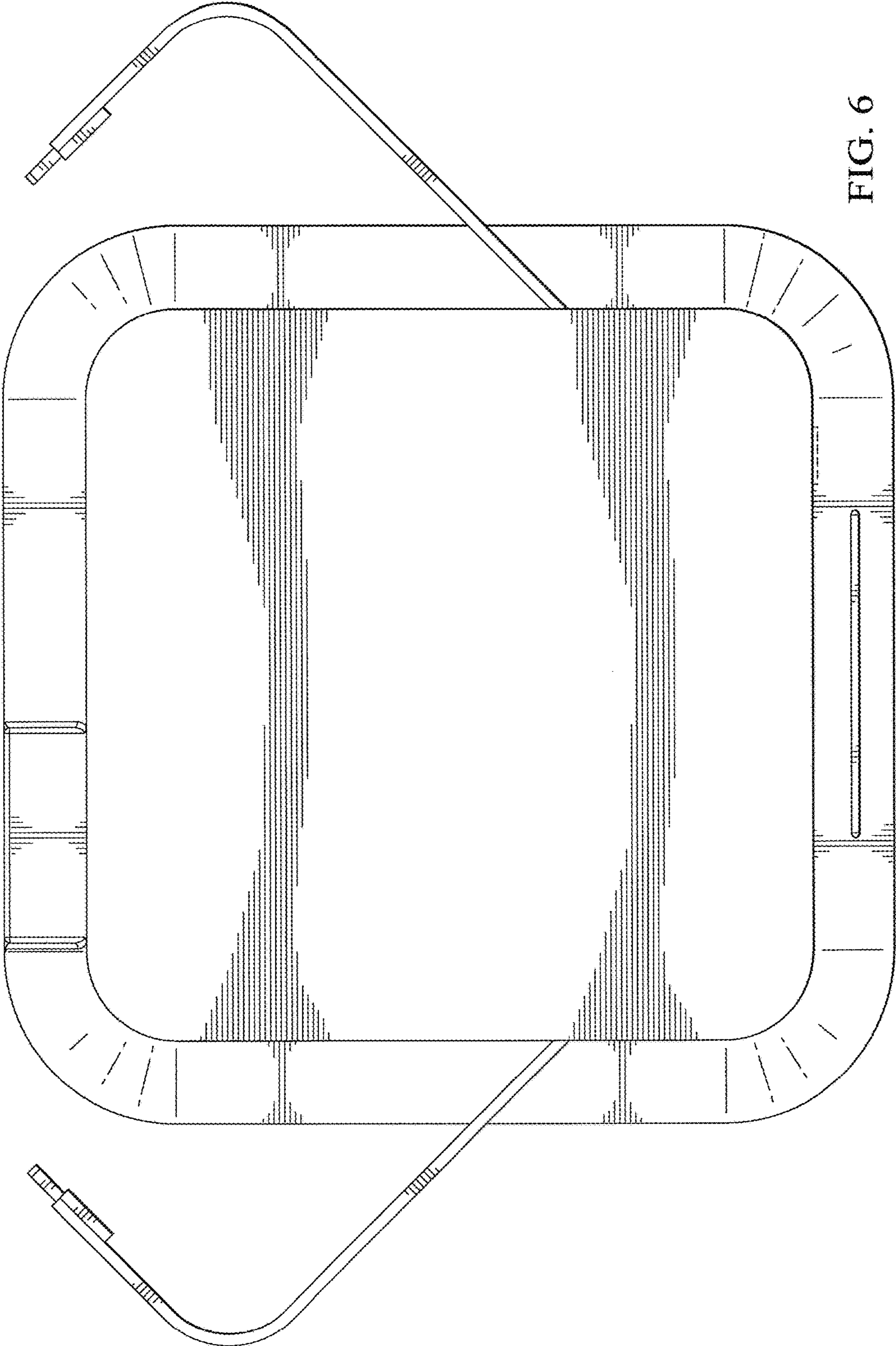
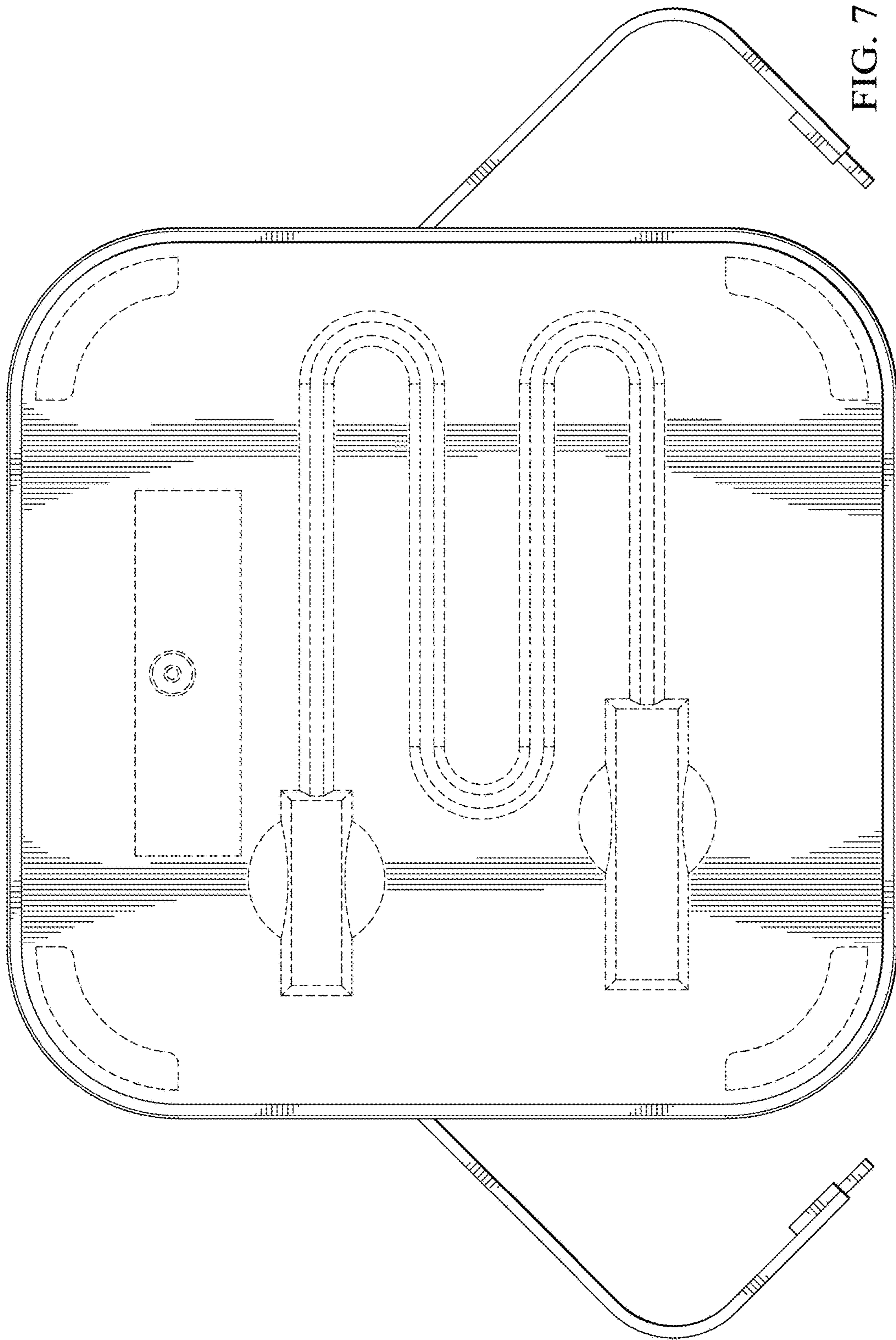


FIG. 6





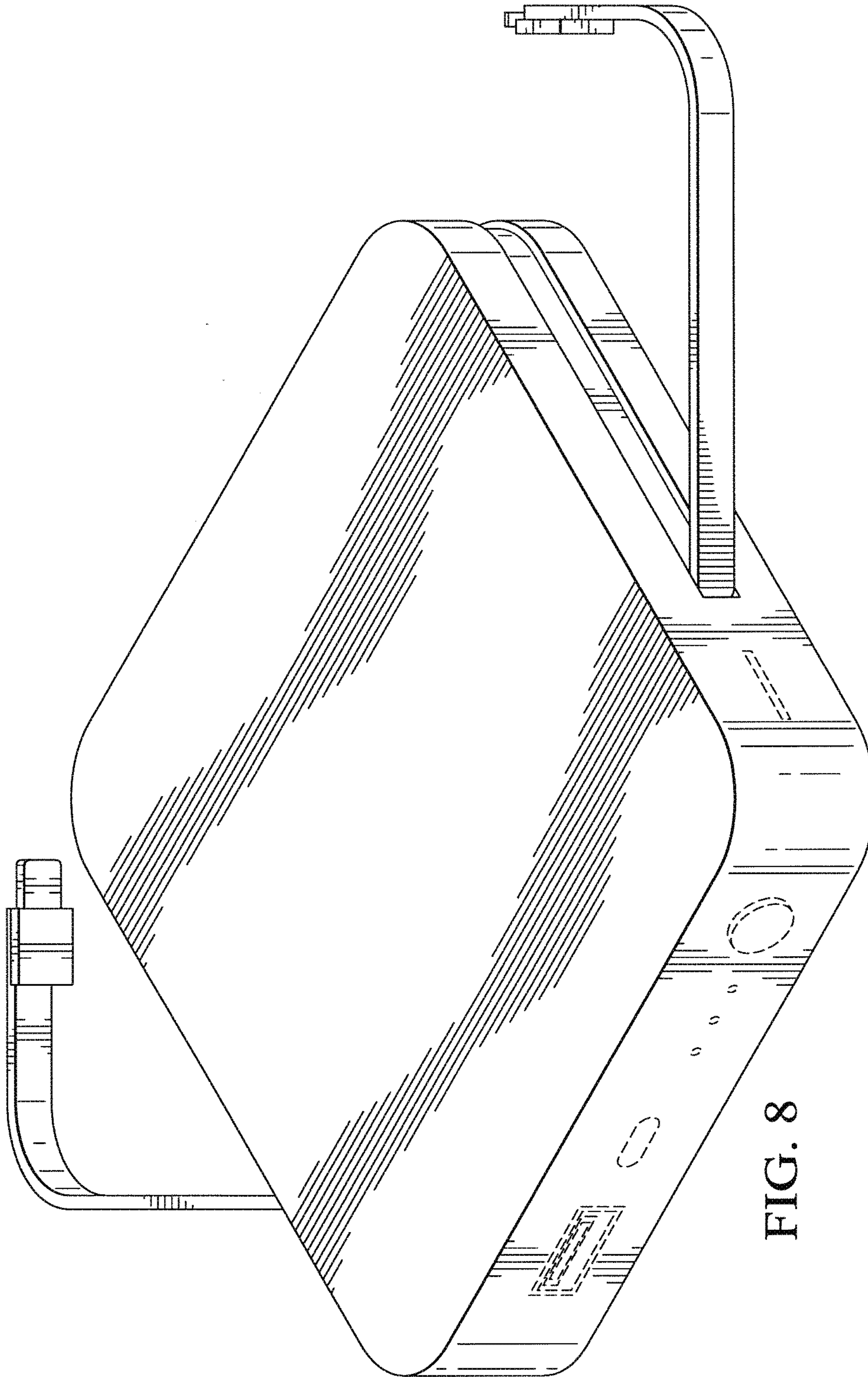


FIG. 8

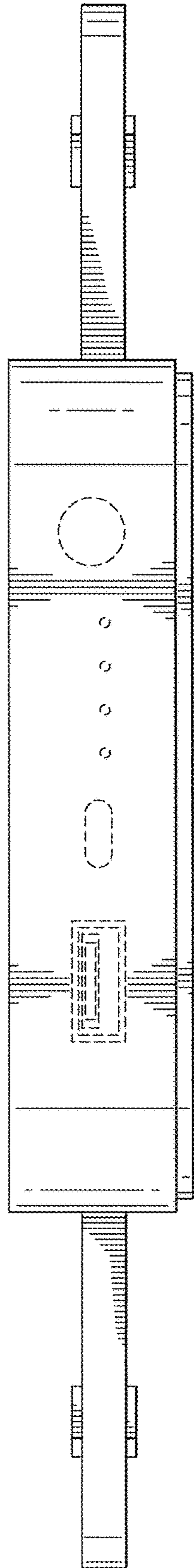


FIG. 9

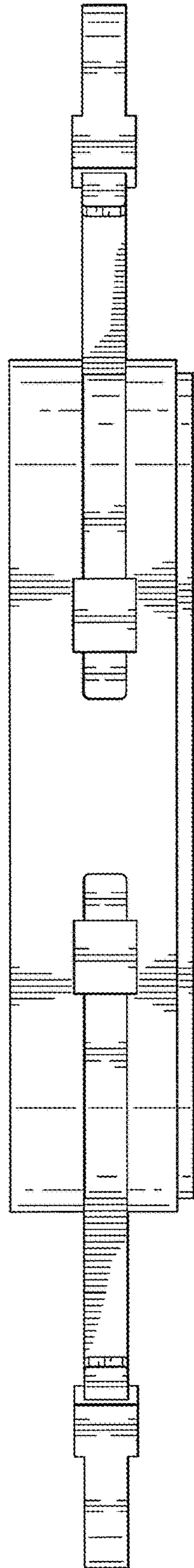


FIG. 10

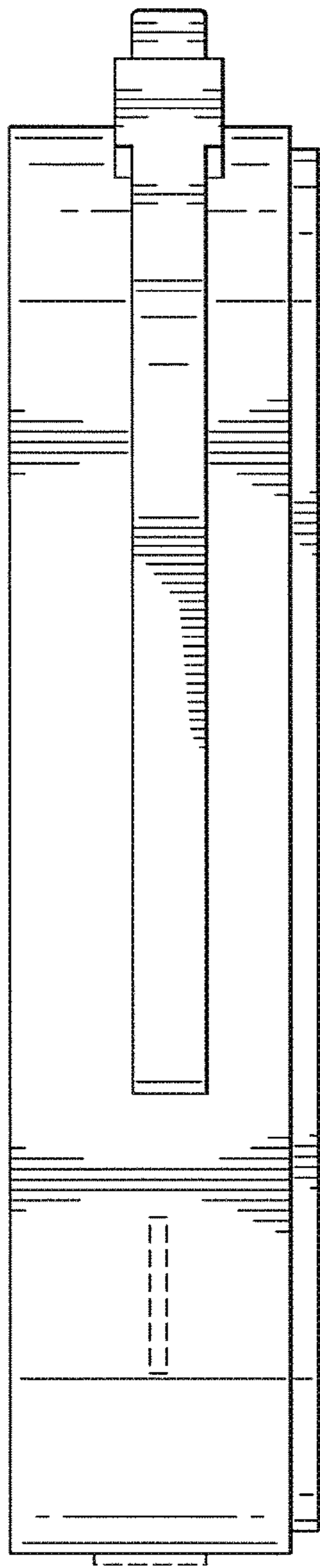


FIG. 11

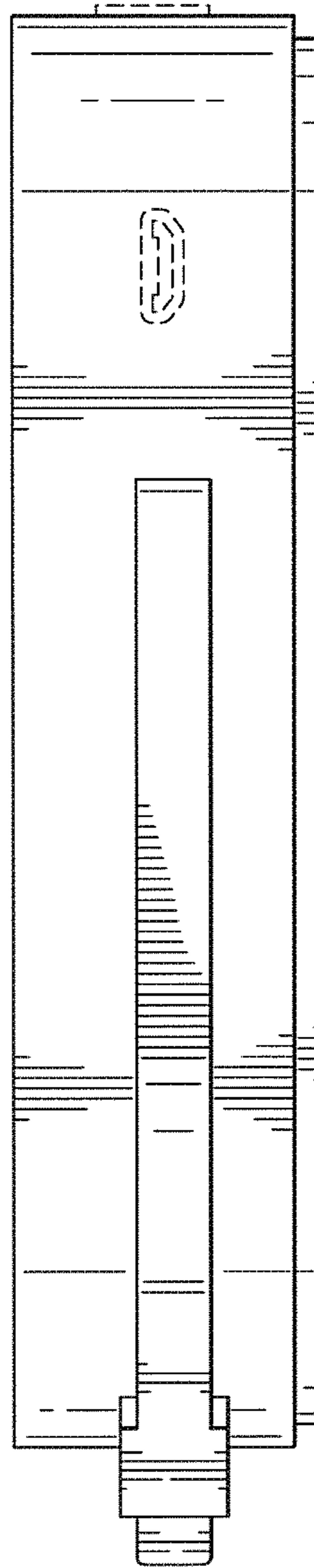


FIG. 12

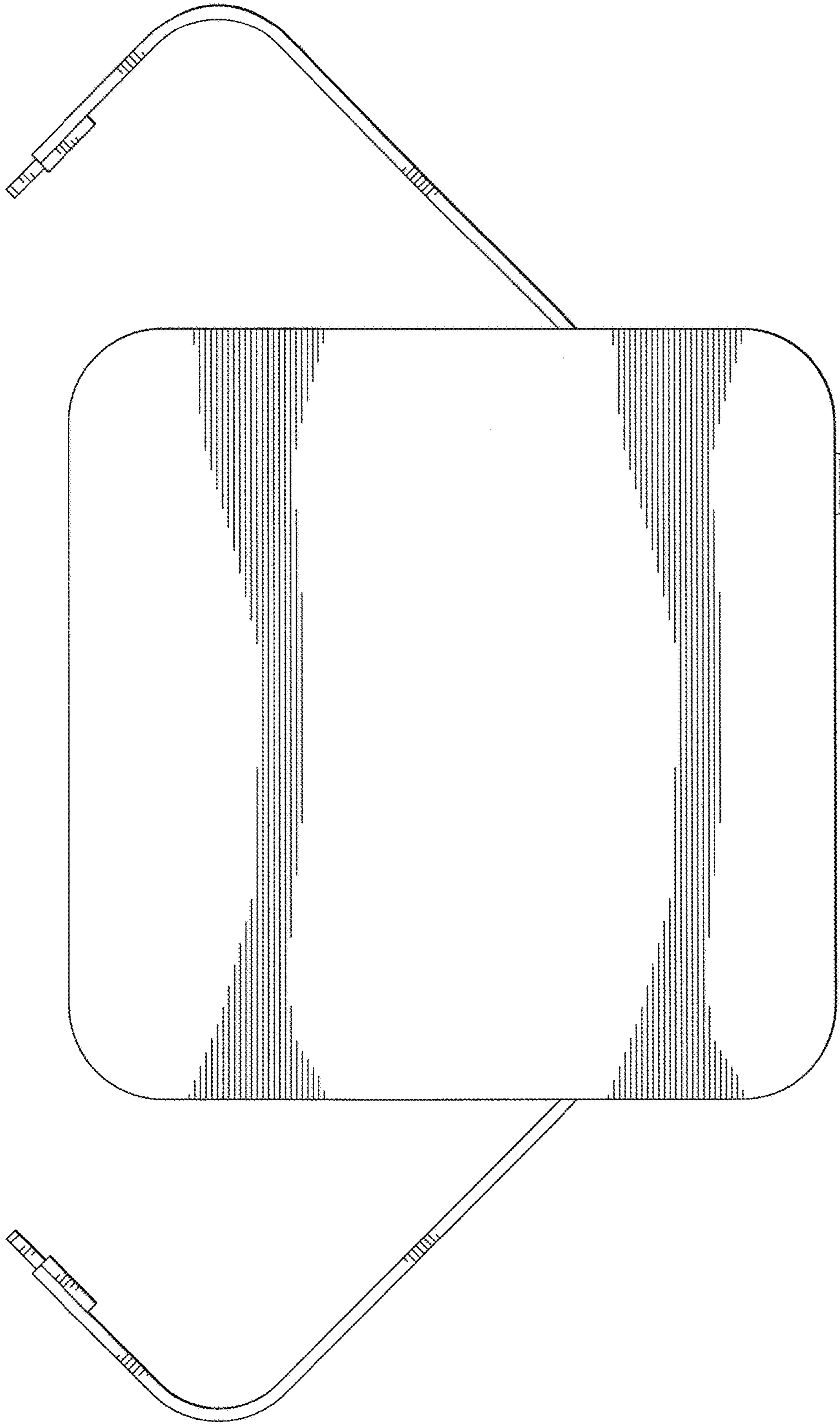


FIG. 13

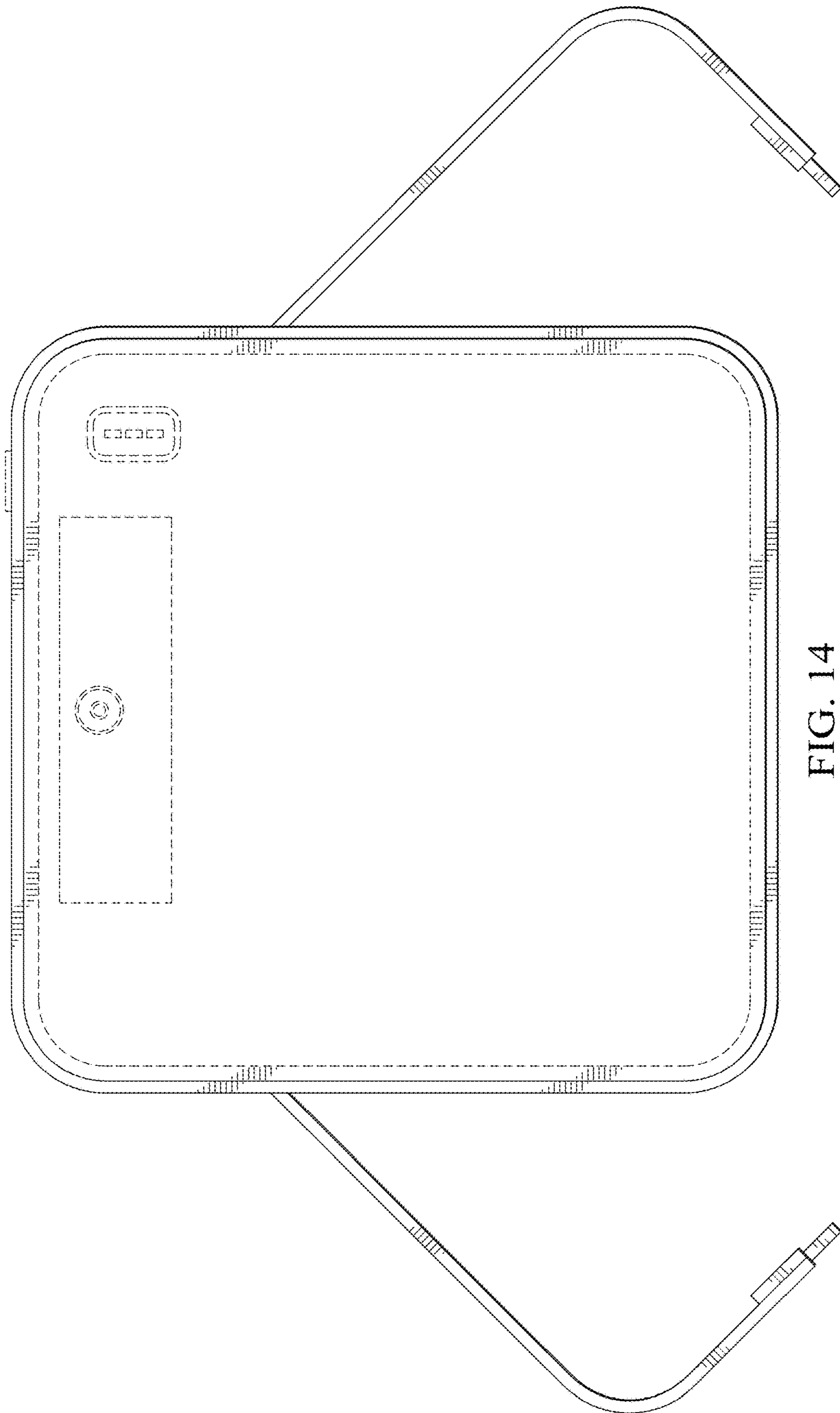


FIG. 14

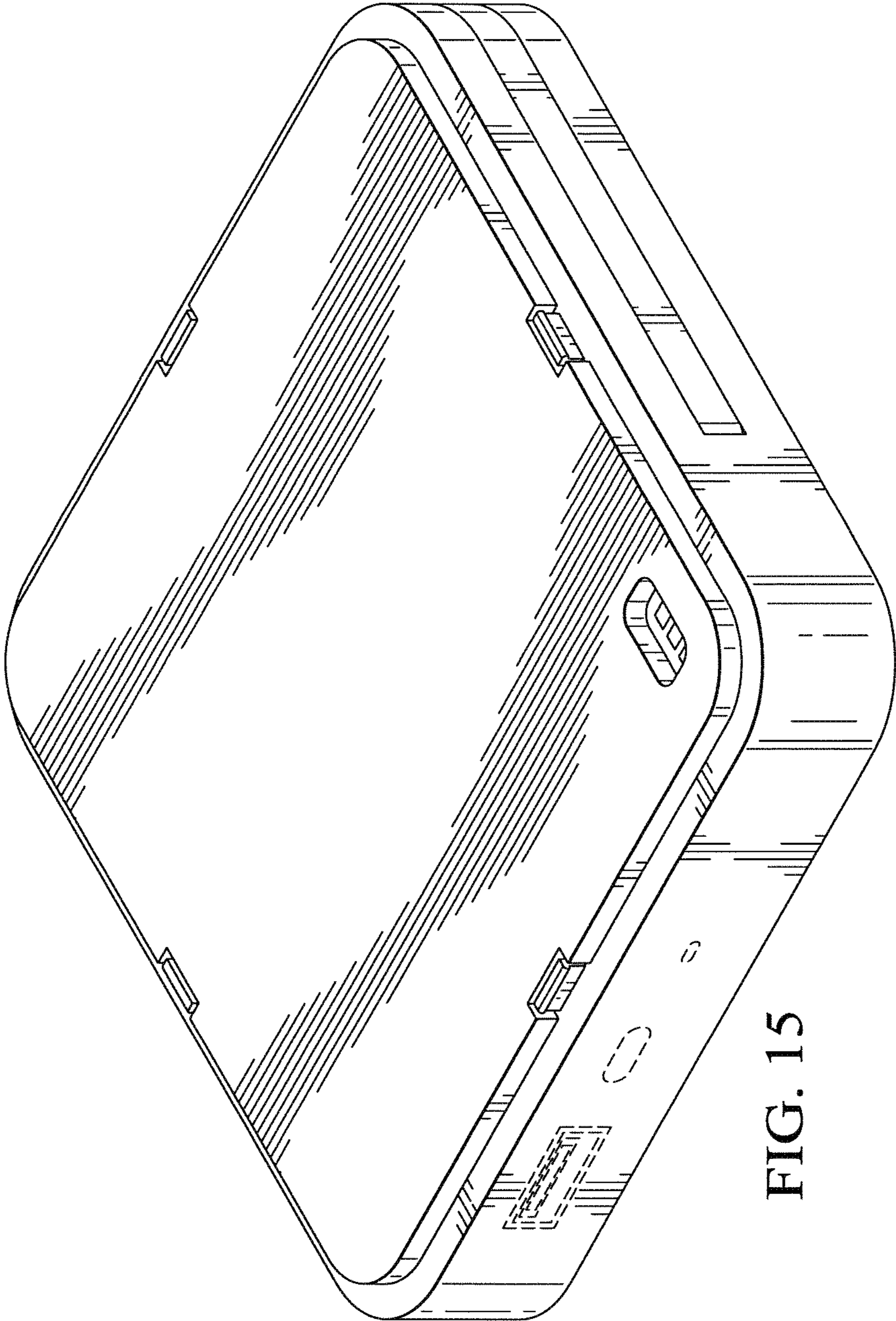


FIG. 15

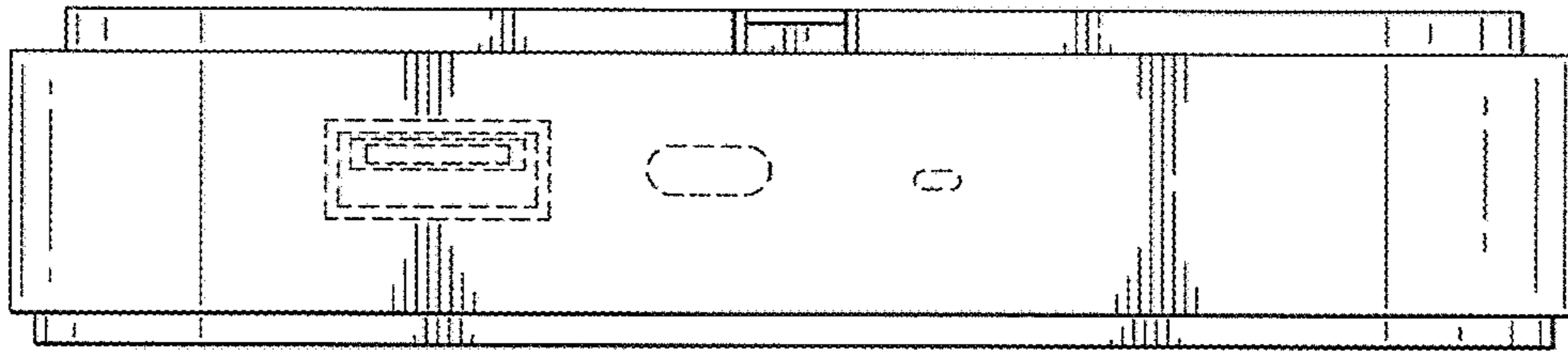


FIG. 16

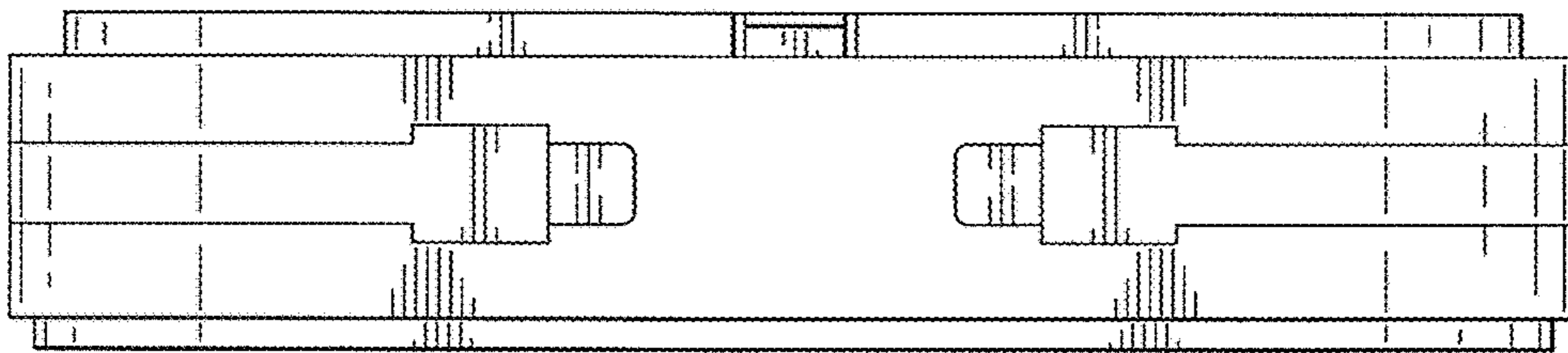


FIG. 17

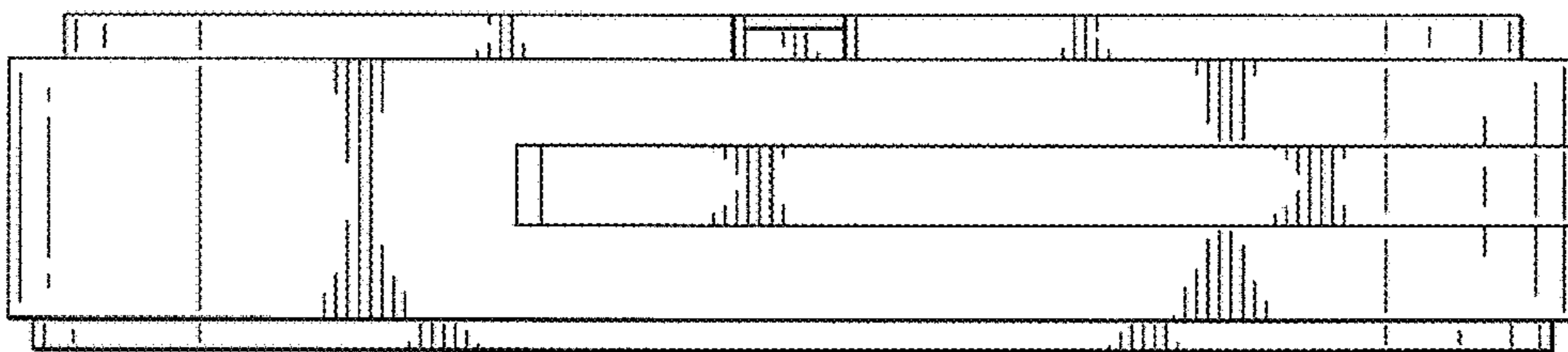


FIG. 18

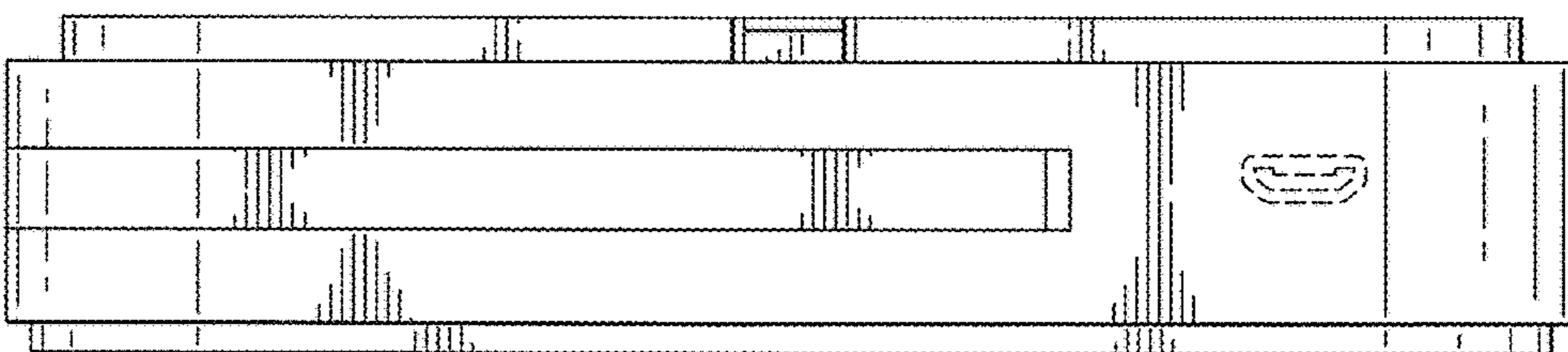


FIG. 19



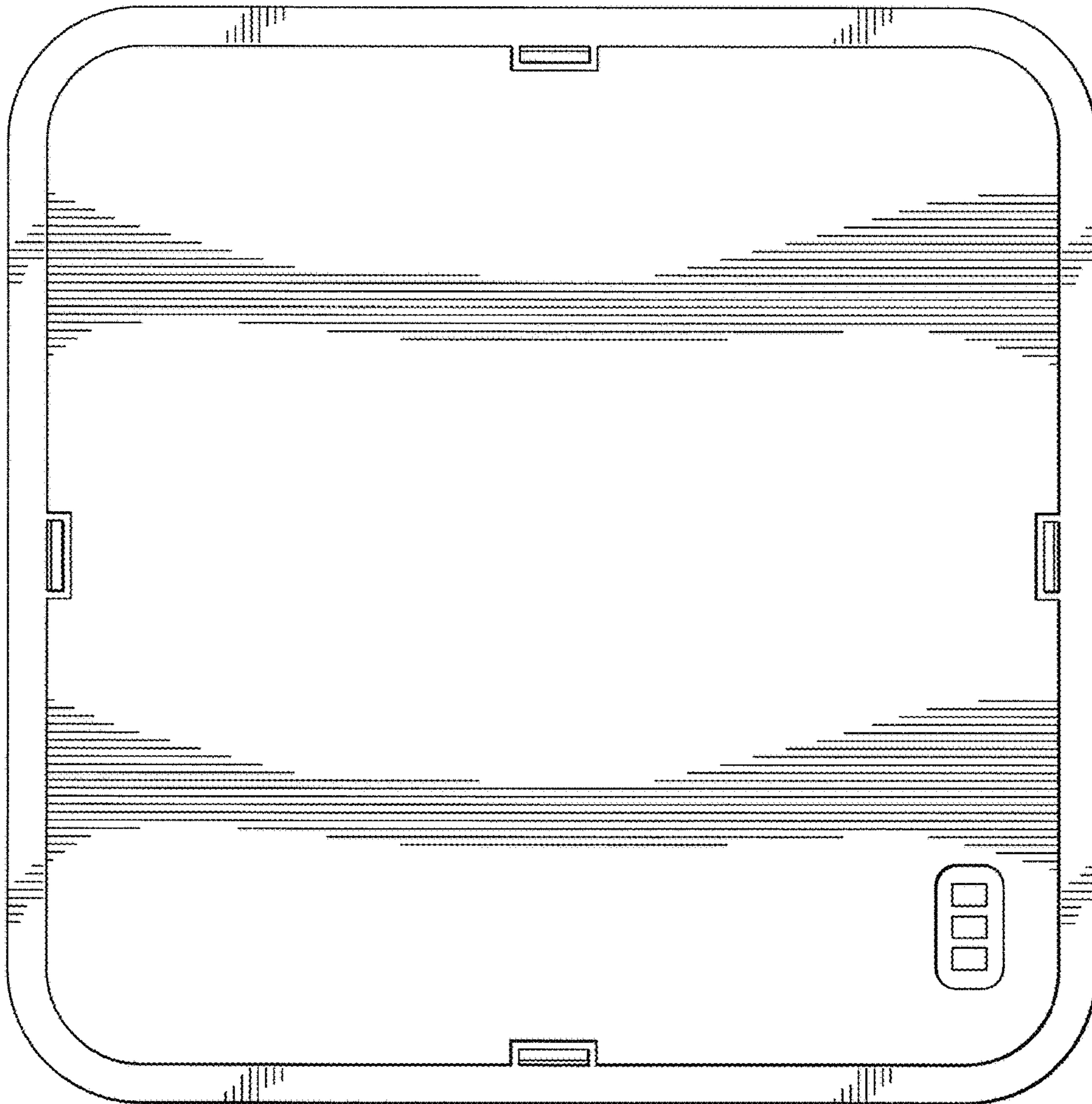


FIG. 20

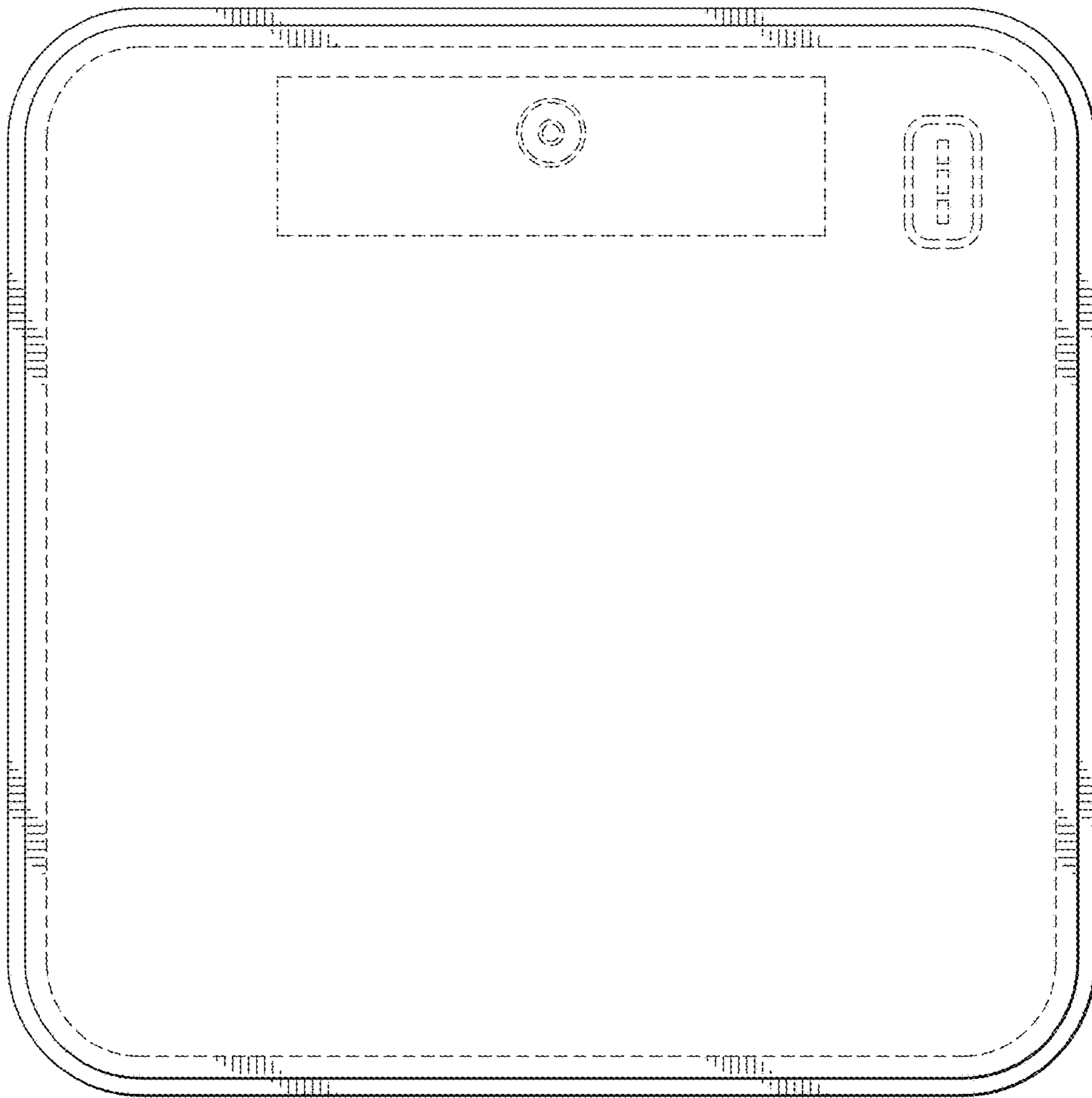


FIG. 21

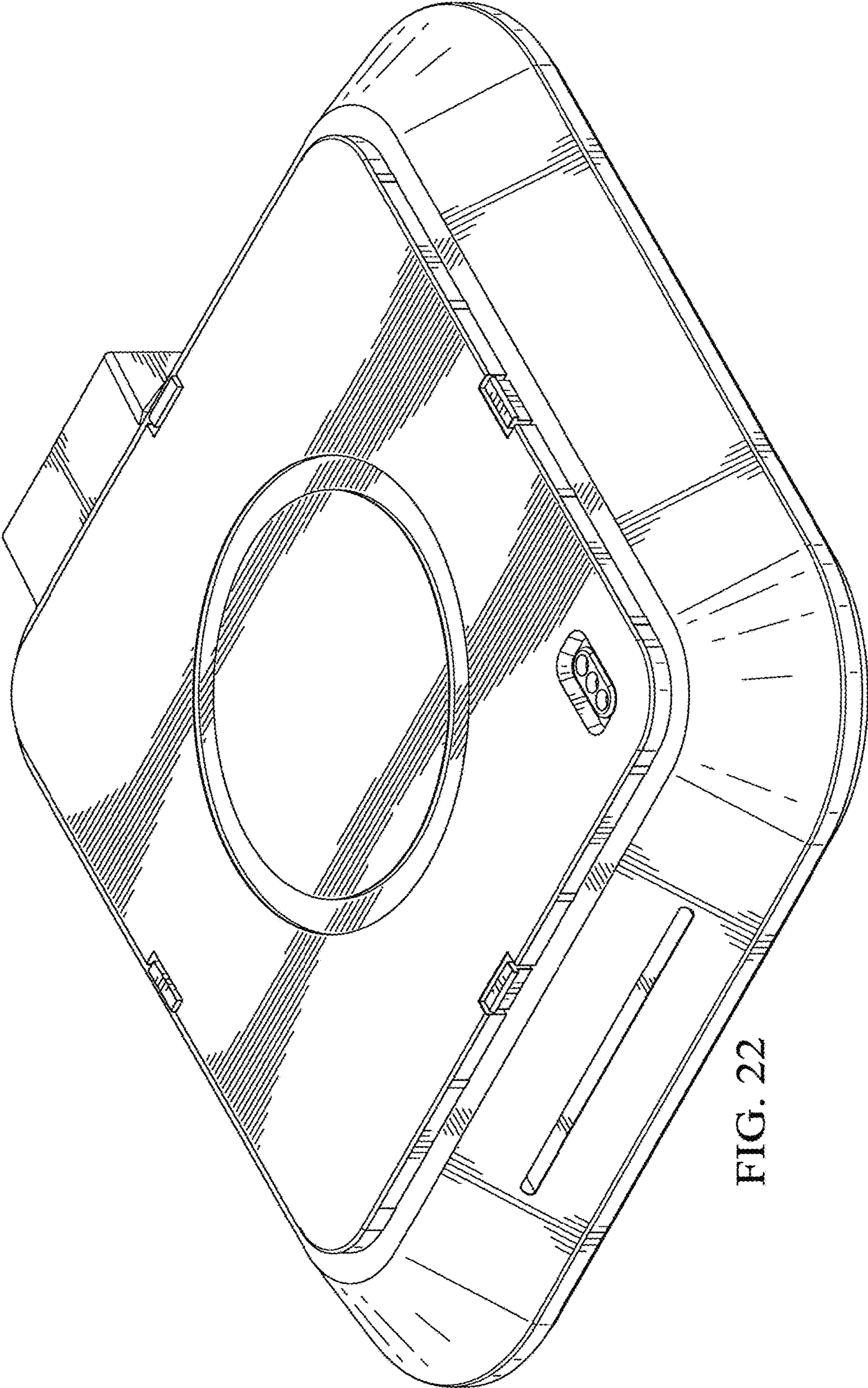


FIG. 22

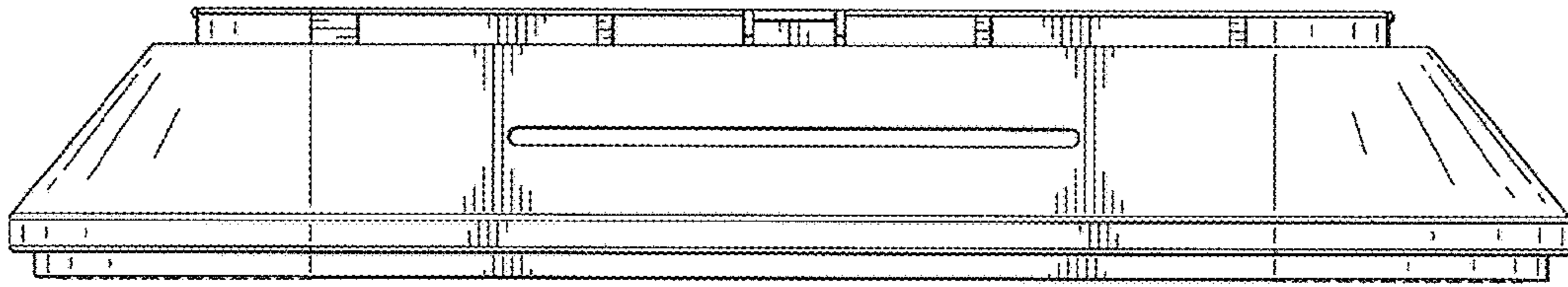


FIG. 23

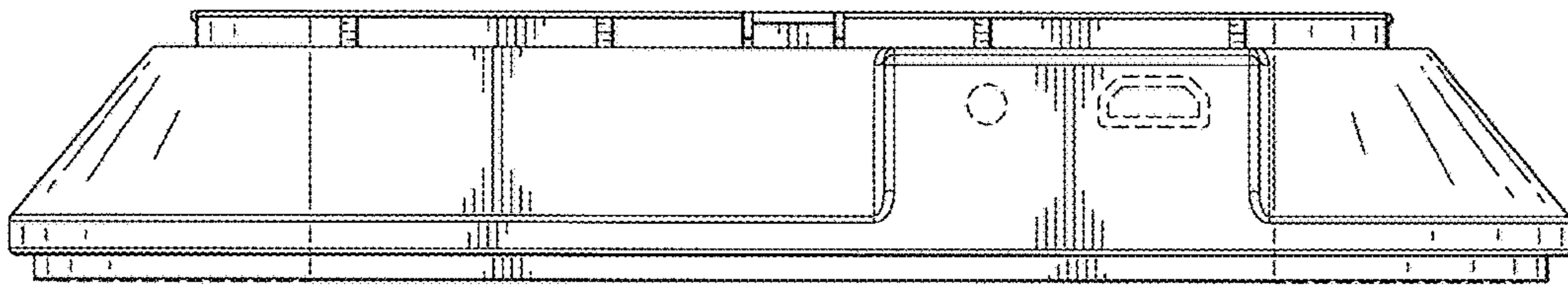


FIG. 24

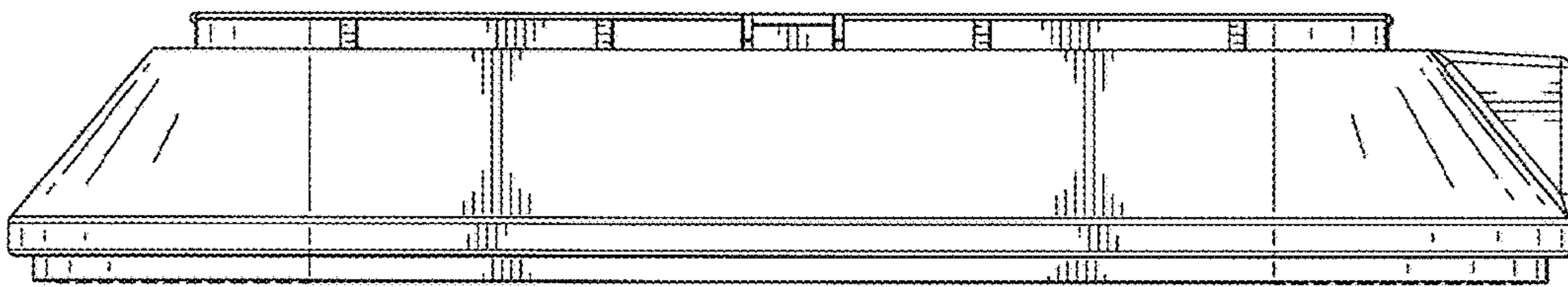


FIG. 25

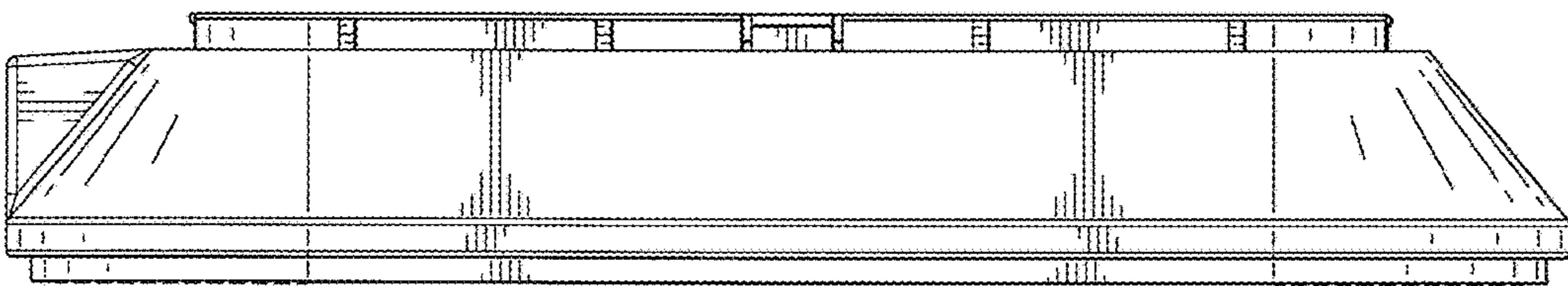


FIG. 26

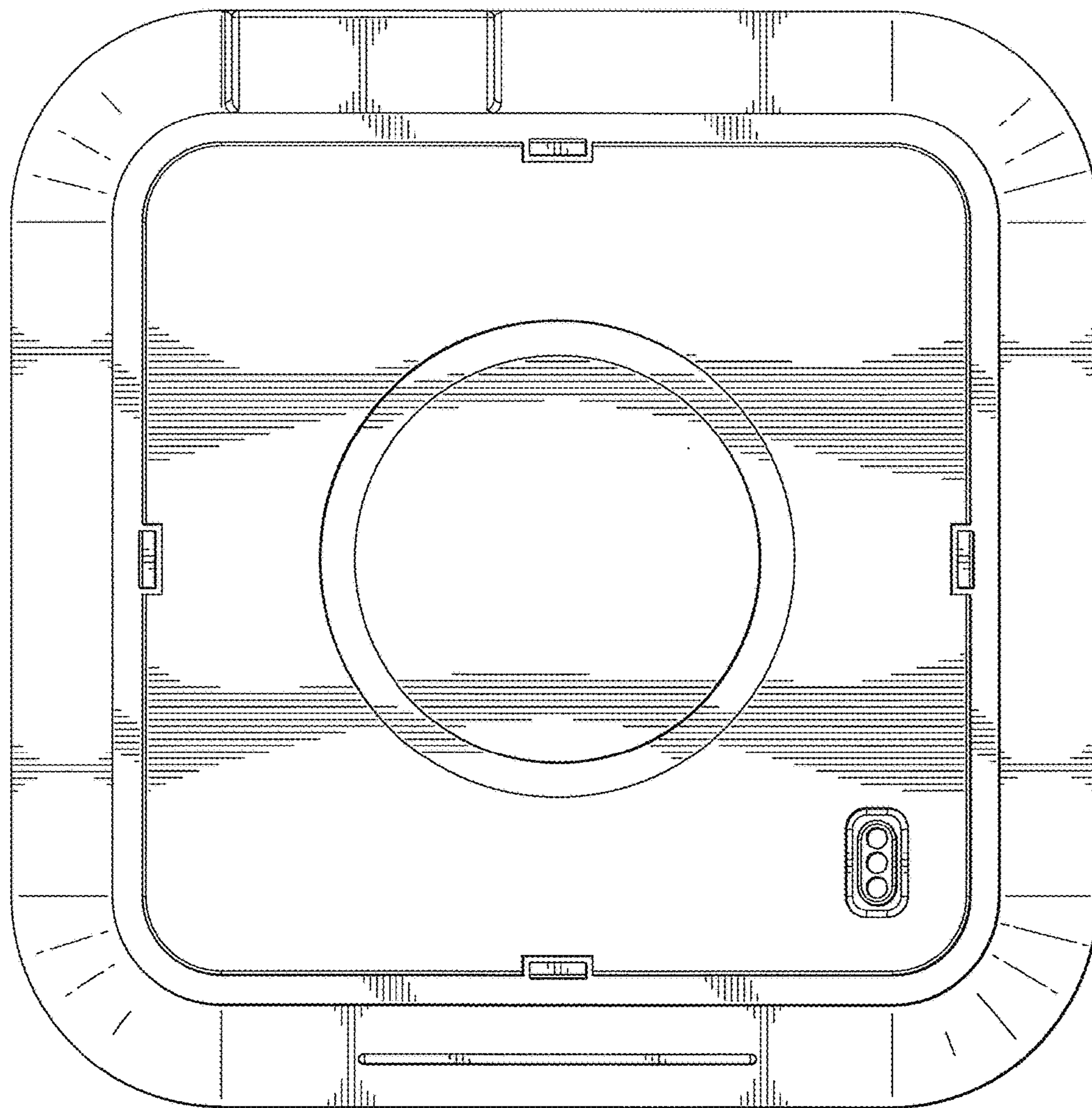


FIG. 27

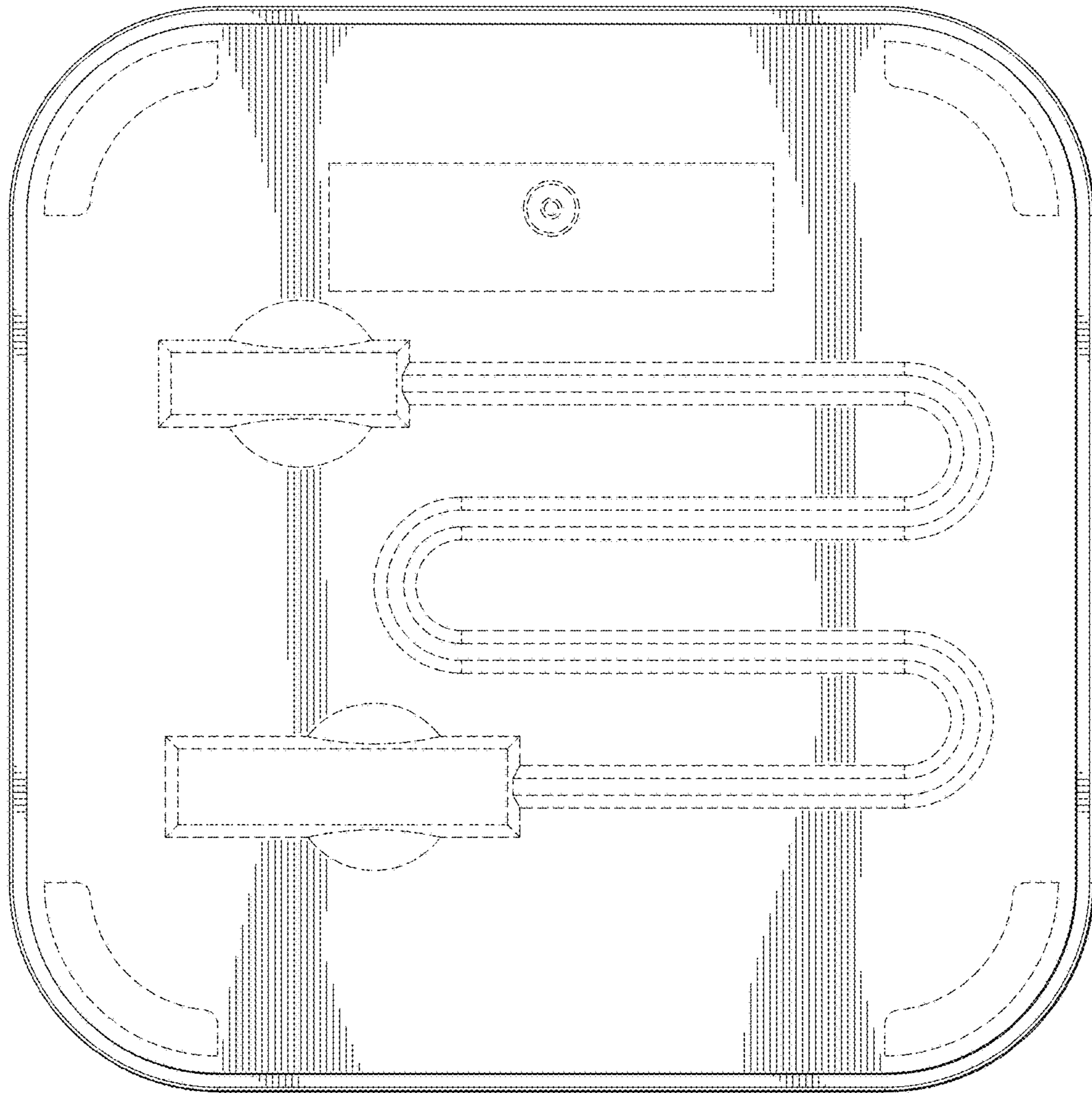


FIG. 28