



US00D832778S

(12) **United States Design Patent** (10) **Patent No.:** **US D832,778 S**  
**Yasunaga** (45) **Date of Patent:** **\*\* Nov. 6, 2018**

(54) **STUD PIN FOR TIRE** D814,398 S \* 4/2018 Yasunaga ..... B60C 11/1643  
D12/608  
(71) Applicant: **Toyo Tire & Rubber Co., Ltd.,** D815,025 S \* 4/2018 Yasunaga ..... B29D 30/0606  
Osaka-shi, Okasa (JP) D12/608  
2012/0227880 A1\* 9/2012 Pons ..... B60C 11/1643  
(72) Inventor: **Toshikazu Yasunaga, Osaka (JP)** 2016/0159164 A1\* 6/2016 Matsumoto ..... B60C 11/1643  
152/208  
(73) Assignee: **TOYO TIRE & RUBBER CO., LTD.,** 2016/0311267 A1\* 10/2016 Matsumoto ..... B60C 11/1643  
Osaka (JP) 2018/0022047 A1\* 1/2018 Matsumoto ..... B29D 30/0606  
2018/0154704 A1\* 6/2018 Matsumoto ..... B60C 11/16

(\*\*) Term: **15 Years**

(21) Appl. No.: **29/599,459**

(22) Filed: **Apr. 4, 2017**

(30) **Foreign Application Priority Data**

Oct. 5, 2016 (JP) ..... 2016-021762

(51) **LOC (11) Cl.** ..... **12-15**

(52) **U.S. Cl.**  
USPC ..... **D12/608**

(58) **Field of Classification Search**  
USPC ..... D12/604-608, 501, 544, 579  
CPC ... B60C 27/08; B60C 27/086; B60C 27/0223;  
B60C 11/1675; B60C 11/14  
See application file for complete search history.

(56) **References Cited**

**U.S. PATENT DOCUMENTS**

3,476,166 A \* 11/1969 Simon ..... B60C 11/16  
152/210  
D431,215 S \* 9/2000 Nyblom ..... D12/608  
D550,611 S \* 9/2007 Liukkula ..... D12/608  
D706,709 S \* 6/2014 Matsumoto ..... D12/608  
D814,396 S \* 4/2018 Yasunaga ..... B60C 11/16  
D12/608  
D814,397 S \* 4/2018 Yasunaga ..... B60C 11/1643  
D12/608

**FOREIGN PATENT DOCUMENTS**

EM 000472071-0011 2/2006  
EM 000900139-0003 1/2009

\* cited by examiner

*Primary Examiner* — Robin V Webster

*Assistant Examiner* — Rachel A Voorhies

(74) *Attorney, Agent, or Firm* — Sterne, Kessler,  
Goldstein & Fox P.L.L.C.

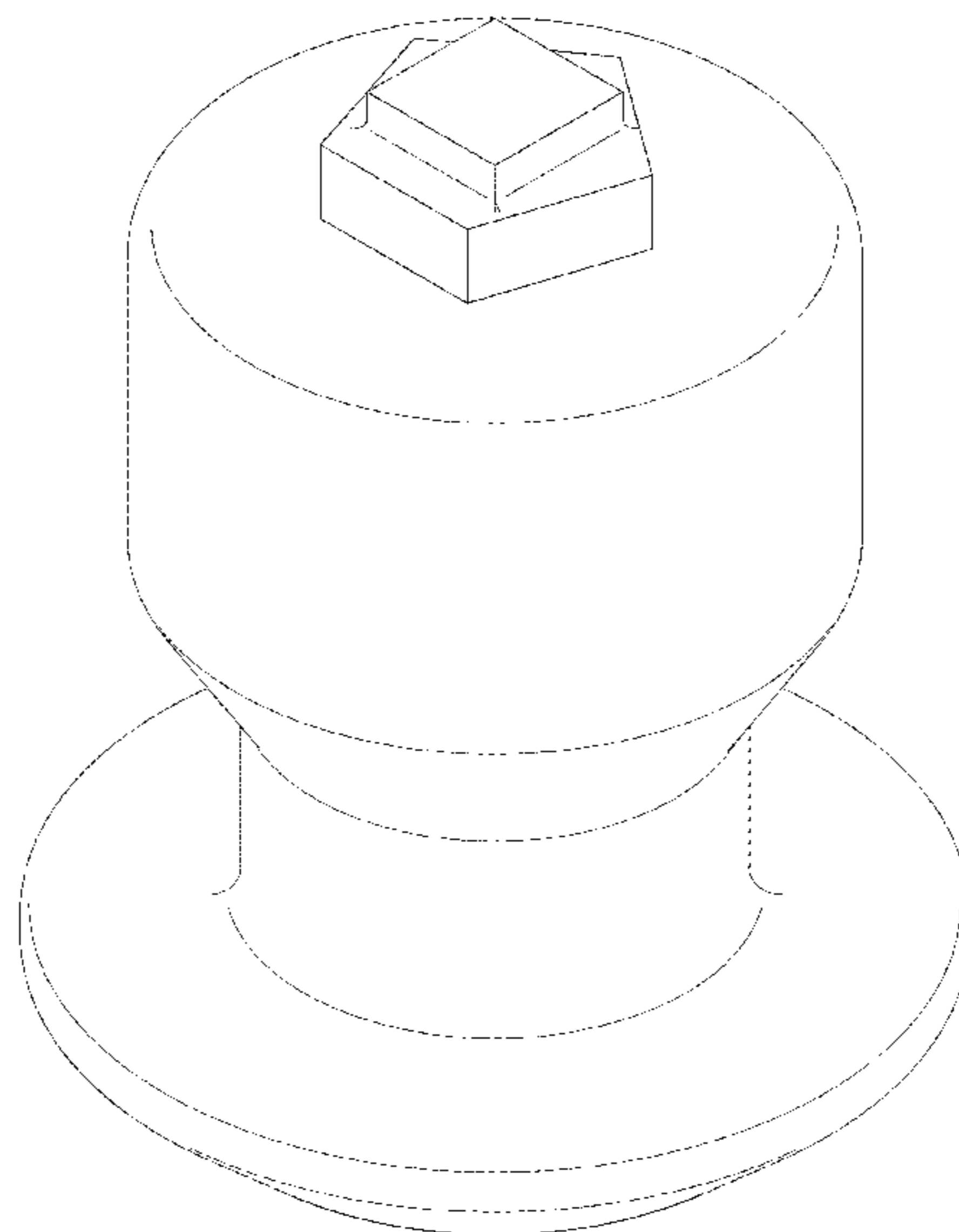
(57) **CLAIM**

The ornamental design for a stud pin for tire, as shown and described.

**DESCRIPTION**

FIG. 1 is a perspective view of a stud pin for tire showing the claimed design;  
FIG. 2 is a front view thereof;  
FIG. 3 is a rear view thereof;  
FIG. 4 is a top plan view thereof;  
FIG. 5 is a bottom plan view thereof; and,  
FIG. 6 is a right side view thereof, the left side view being a mirror image thereof.

**1 Claim, 6 Drawing Sheets**



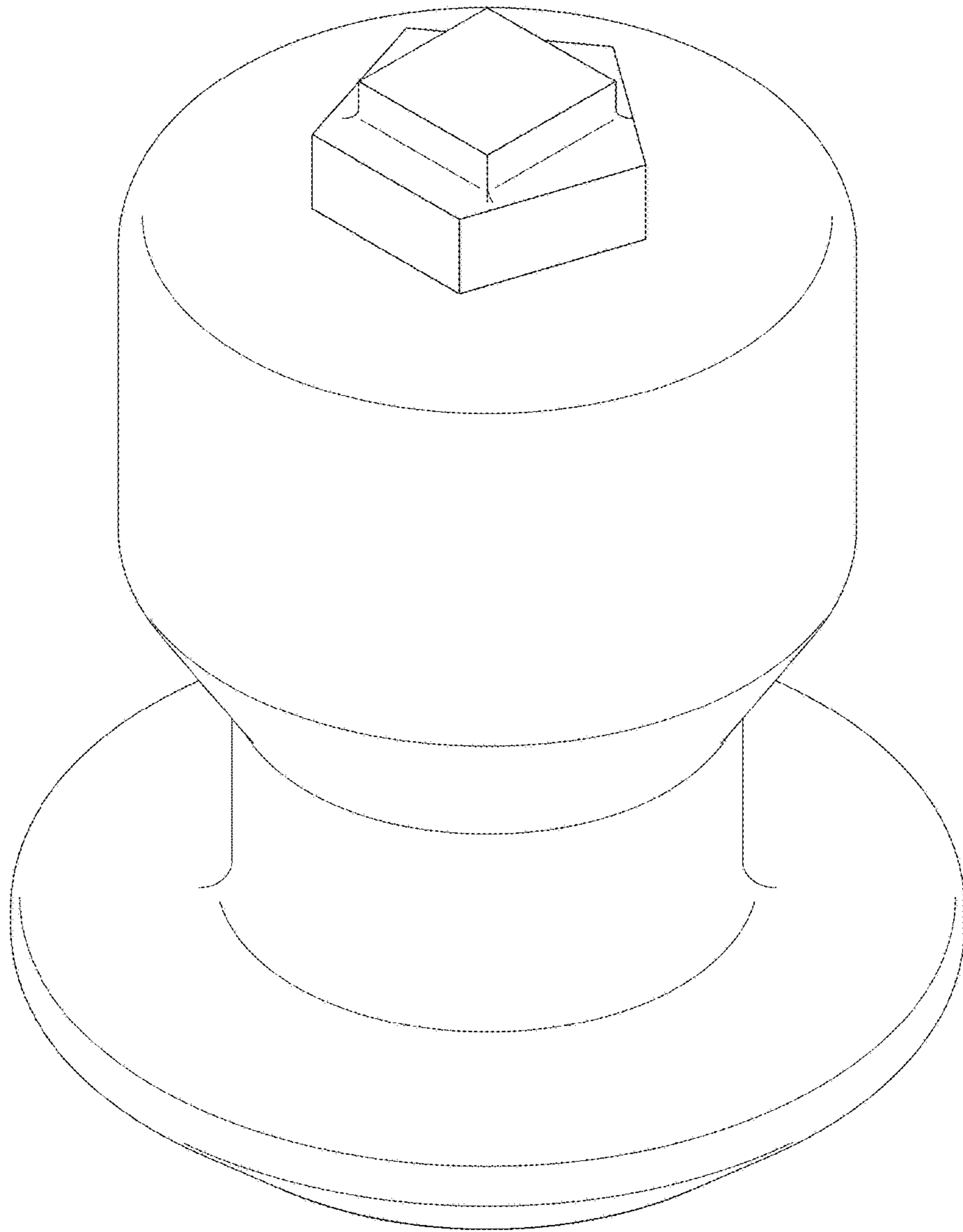


FIG. 1

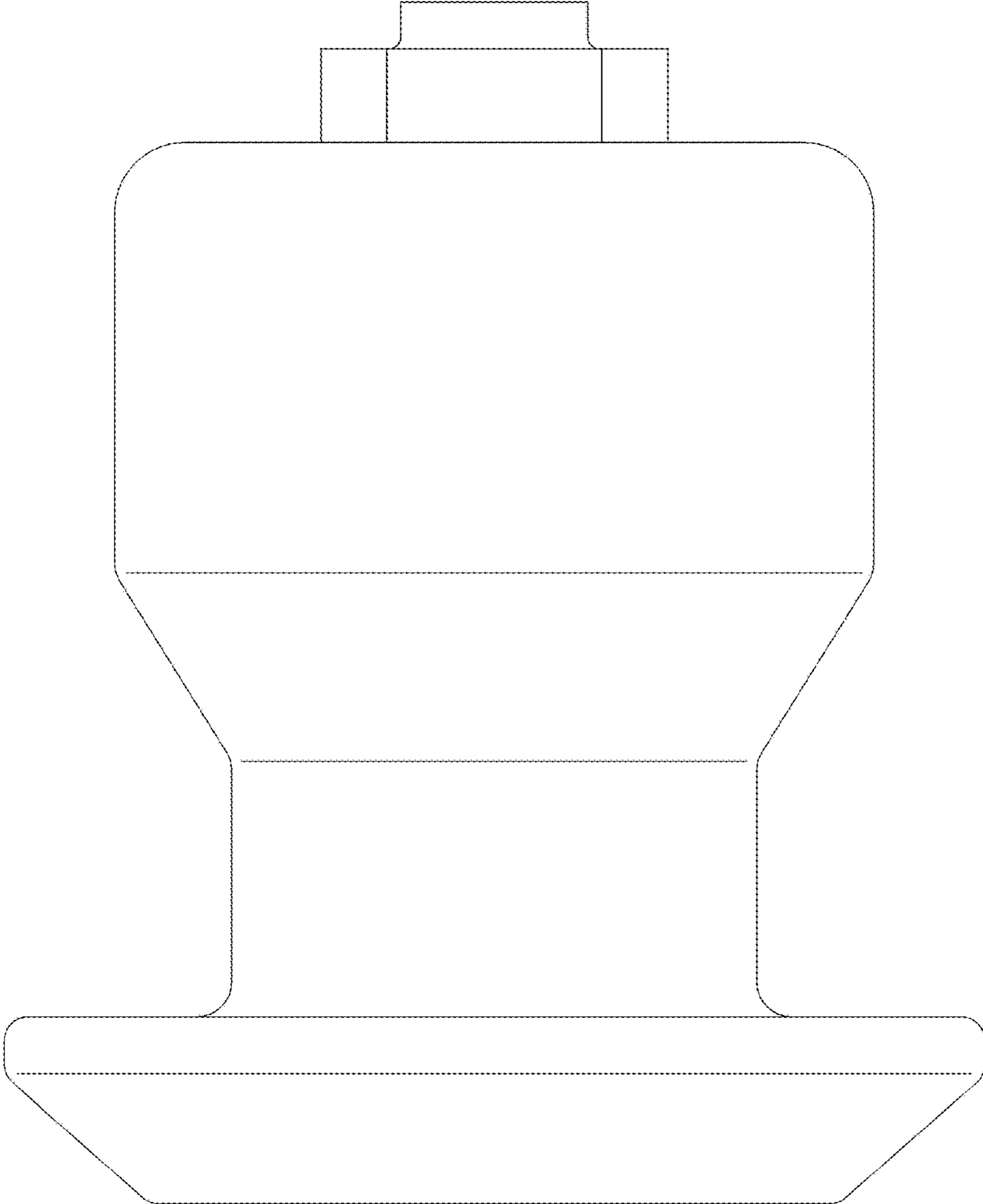


FIG. 2

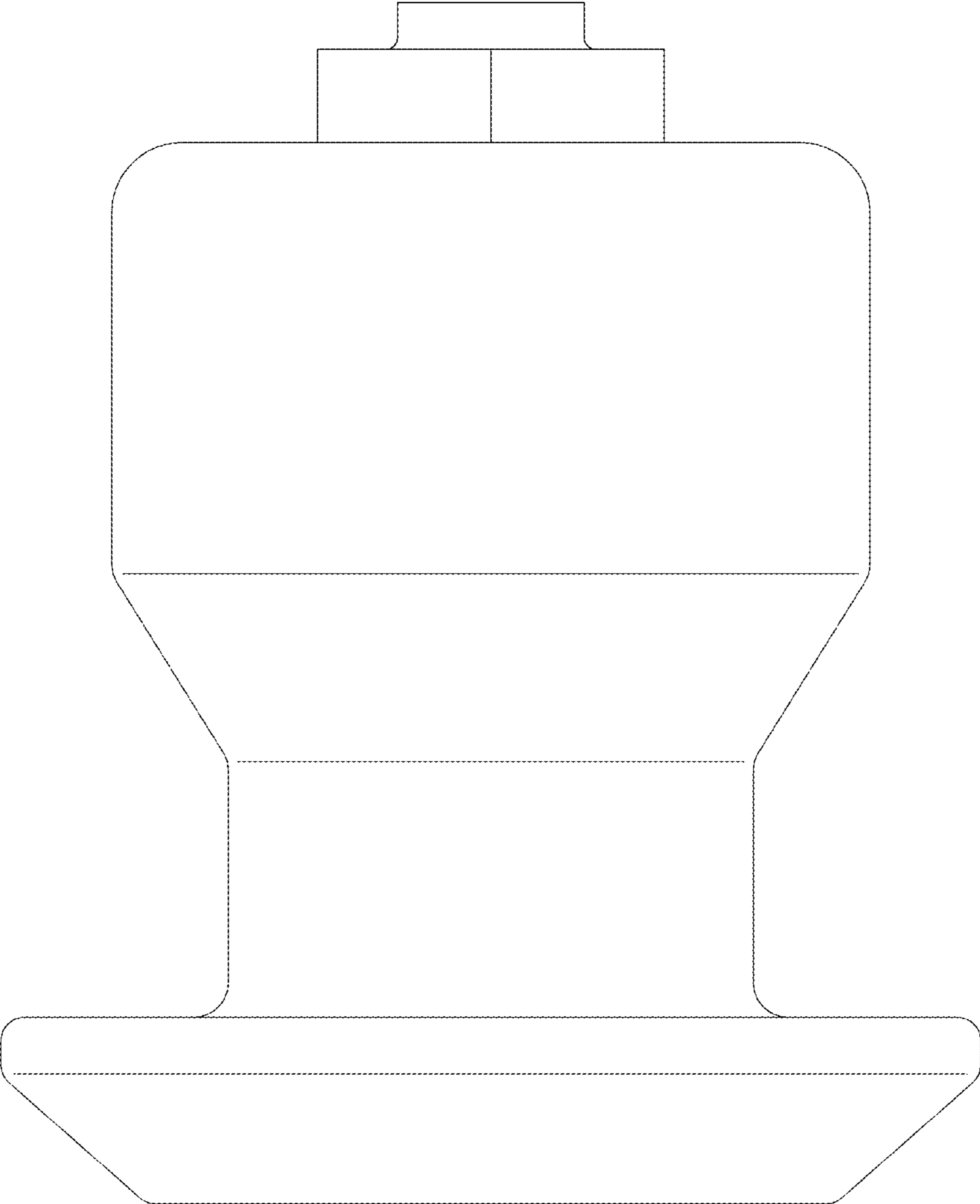


FIG. 3

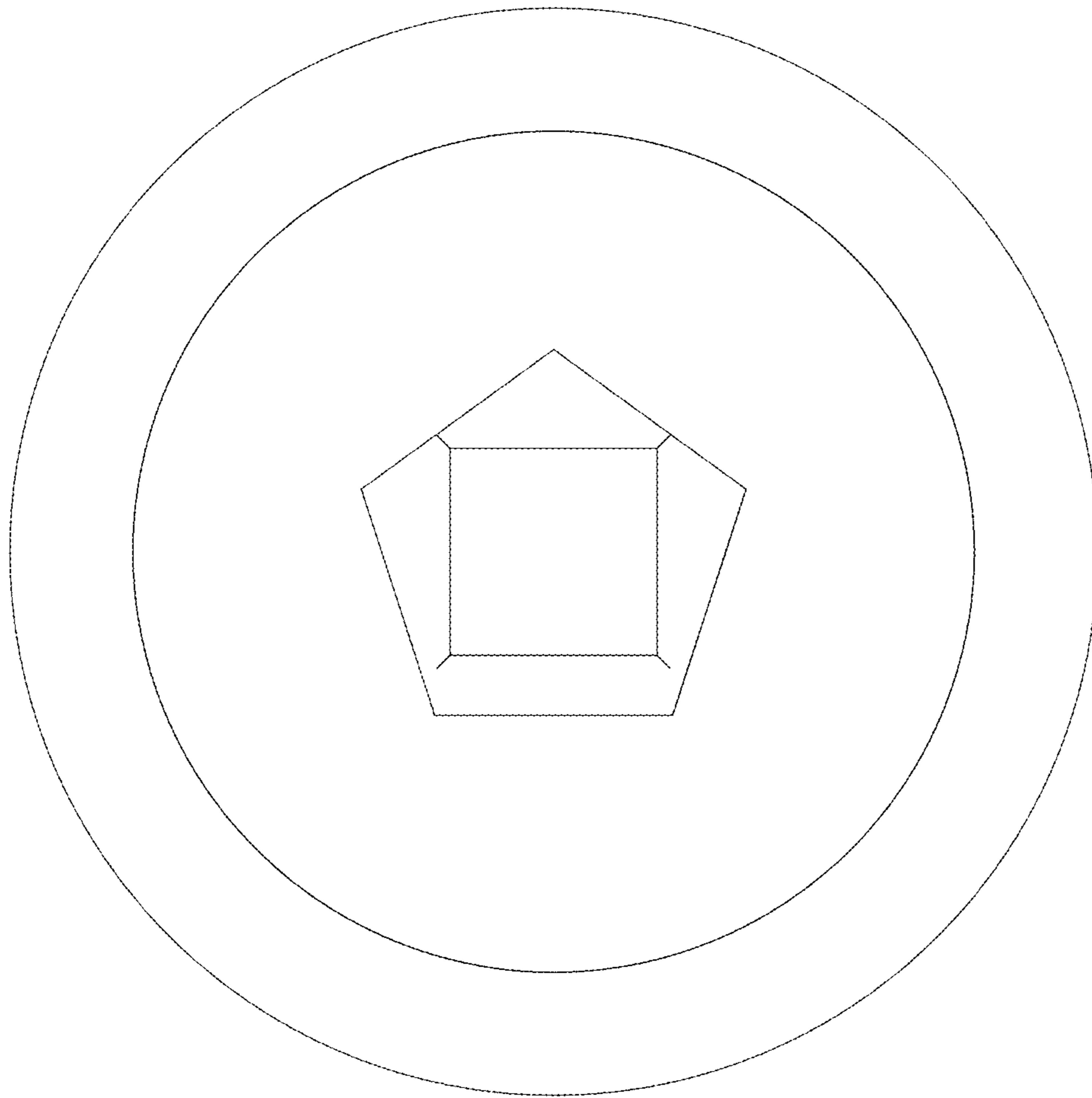


FIG. 4

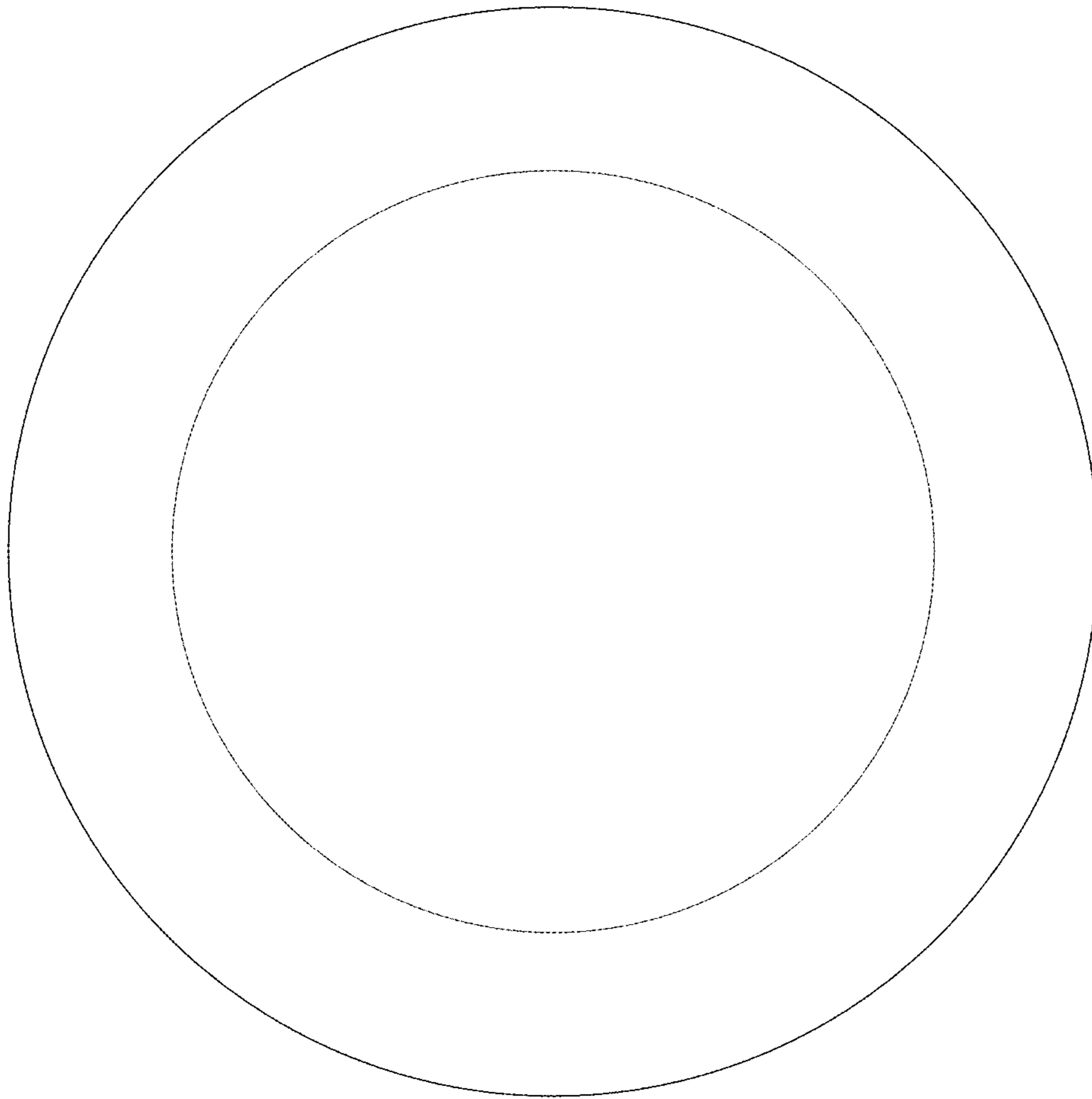


FIG. 5

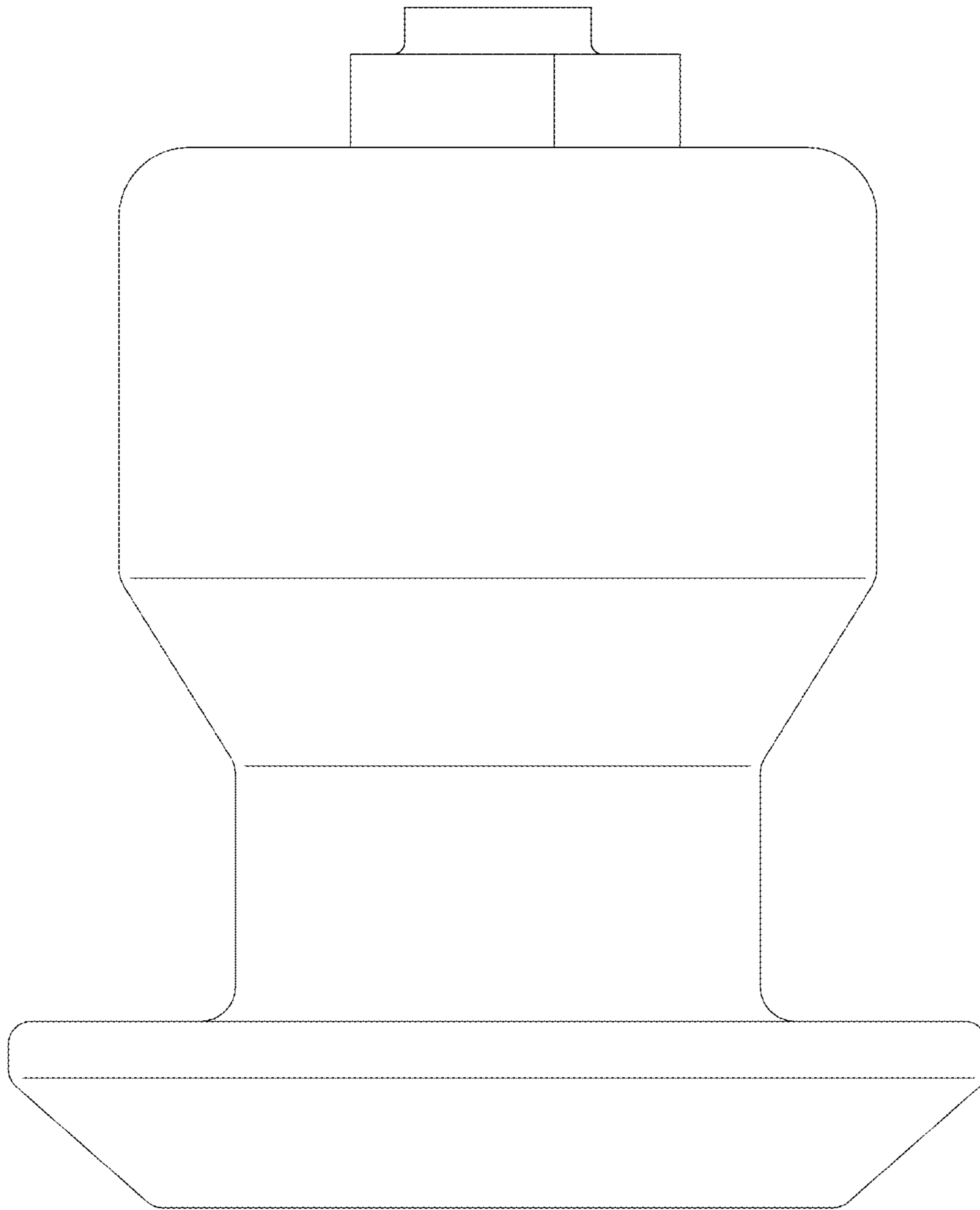


FIG. 6