



US00D832769S

(12) **United States Design Patent**
Fife

(10) **Patent No.:** **US D832,769 S**

(45) **Date of Patent:** **** Nov. 6, 2018**

- (54) **MODULAR RACKING SYSTEM**
- (71) Applicant: **Gunner Fab, LLC**, Kerrville, TX (US)
- (72) Inventor: **Rob Fife**, Mountain Home, TX (US)
- (73) Assignee: **Gunner Fab, LLC**, Kerrville, TX (US)
- (**) Term: **15 Years**
- (21) Appl. No.: **29/636,155**
- (22) Filed: **Feb. 6, 2018**

D479,186 S *	9/2003	Hassett	D12/416
D530,983 S *	10/2006	Krieger	D12/416
D632,510 S *	2/2011	Johnson	D12/416
D650,733 S *	12/2011	Cooney	D12/416
D658,568 S *	5/2012	Currier	D12/416
D713,849 S *	9/2014	Kirwer	D12/416
D765,581 S *	9/2016	Pumphrey	D12/416
D777,081 S *	1/2017	Keathley	D12/416

* cited by examiner

Primary Examiner — Katrina A Betton

(74) *Attorney, Agent, or Firm* — Gunn, Lee & Cave PC

Related U.S. Application Data

- (62) Division of application No. 29/552,315, filed on Jan. 21, 2016, now Pat. No. Des. 809,450.
- (51) **LOC (11) Cl.** **12-16**
- (52) **U.S. Cl.**
USPC **D12/416**
- (58) **Field of Classification Search**
USPC D12/416, 415, 417, 418, 419, 423;
D6/513, 514, 611, 553, 556, 559;
D7/601–602, 605–607; D3/216, 217, 319
CPC B65D 33/00; B64D 11/0636; B60N 3/004
See application file for complete search history.

(57) **CLAIM**

An ornamental design for a modular racking system, as shown and described.

DESCRIPTION

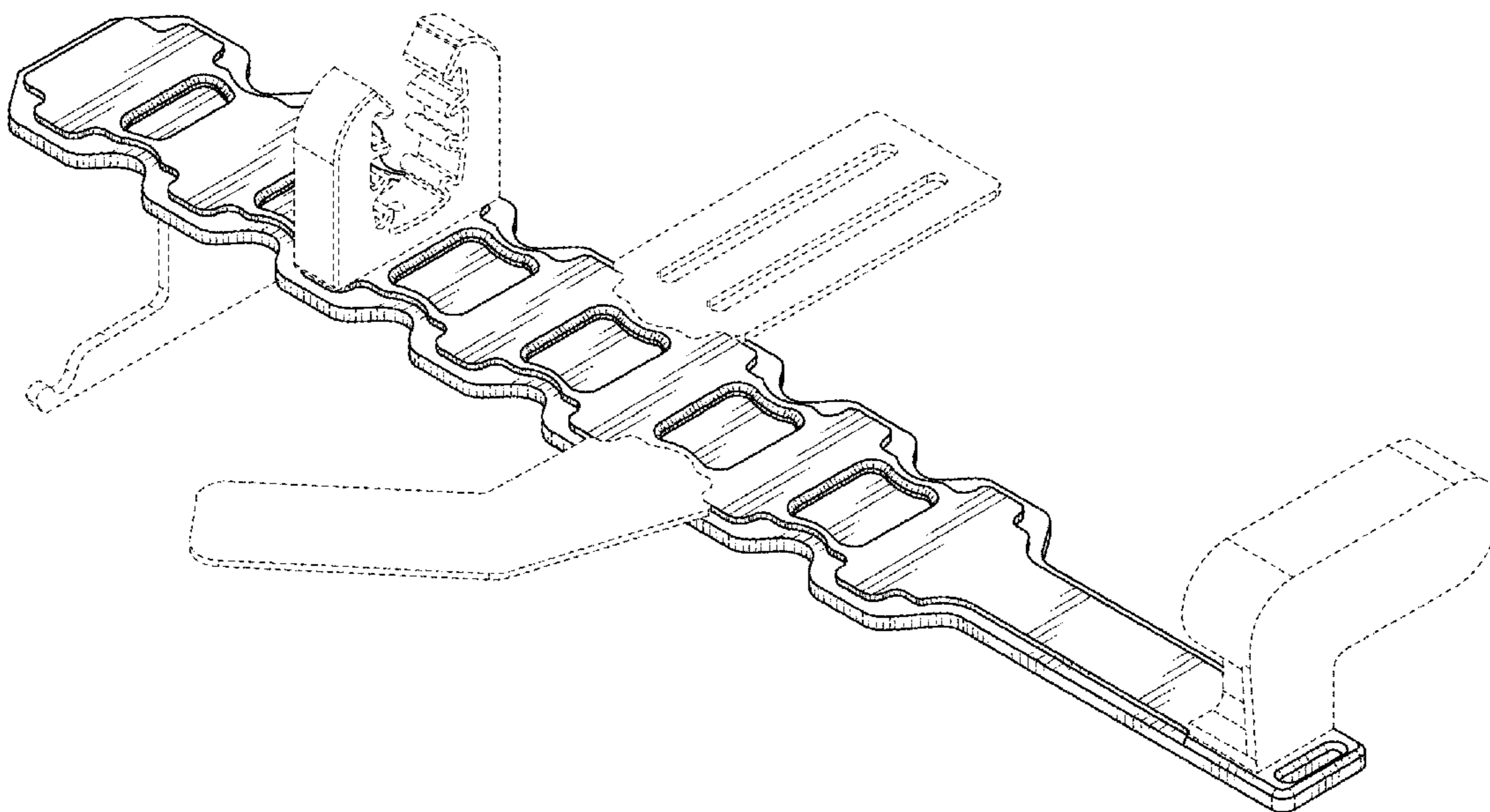
FIG. 1 is a front-bottom isometric view of my modular racking system.
 FIG. 2 is a front view of a modular racking system.
 FIG. 3 is a rear view of a modular racking system.
 FIG. 4 is a left side view of a modular racking system.
 FIG. 5 is a right side view of a modular racking system.
 FIG. 6 is a top view of a modular racking system; and,
 FIG. 7 is a bottom view of a modular racking system.
 In the drawings, the broken lines depict portions of the article that form no part of the claimed design.

(56) **References Cited**

U.S. PATENT DOCUMENTS

D473,510 S *	4/2003	Denmeade	D12/416
D473,840 S *	4/2003	Sauer	D12/416

1 Claim, 5 Drawing Sheets



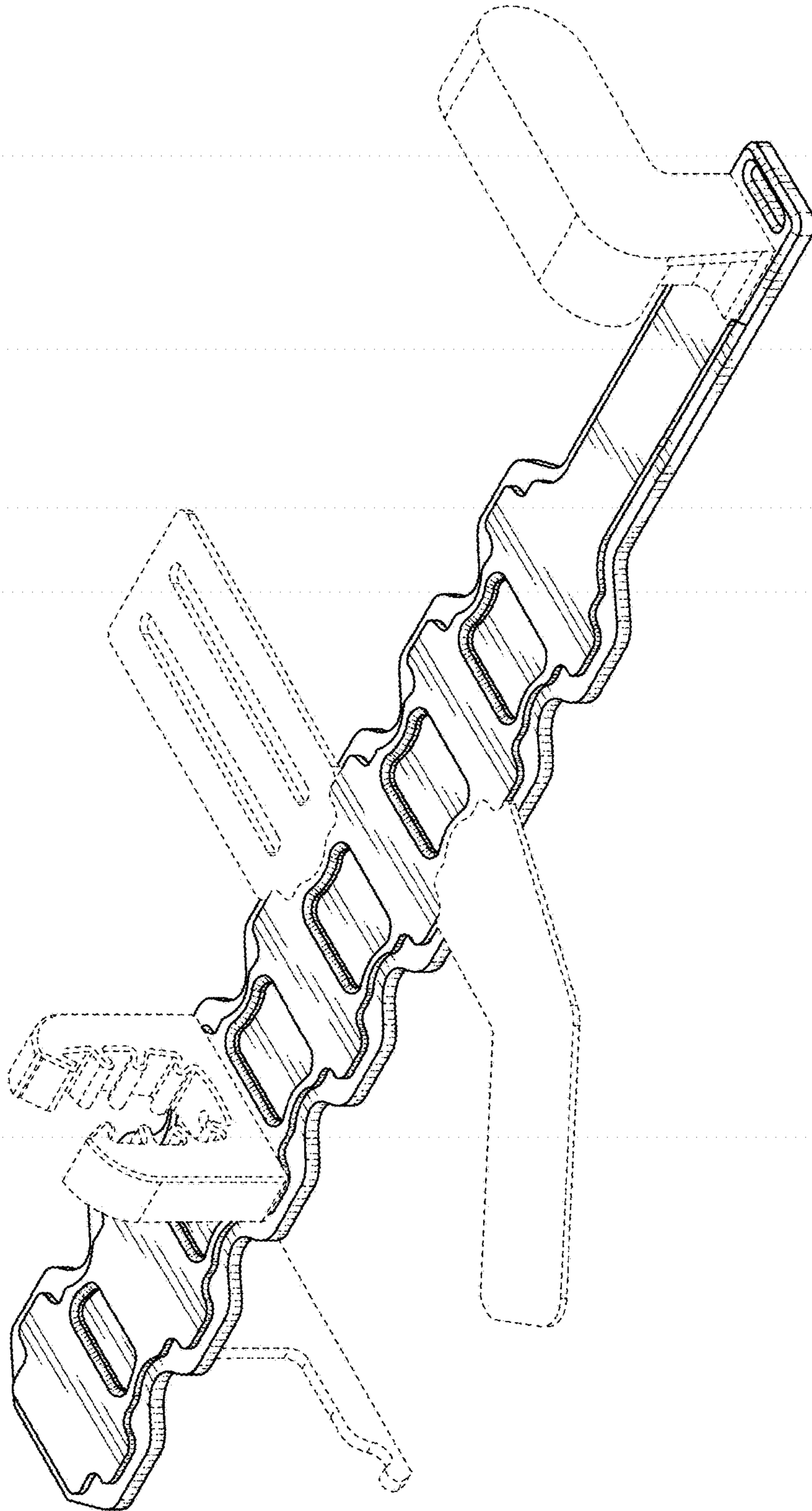


FIG. 1

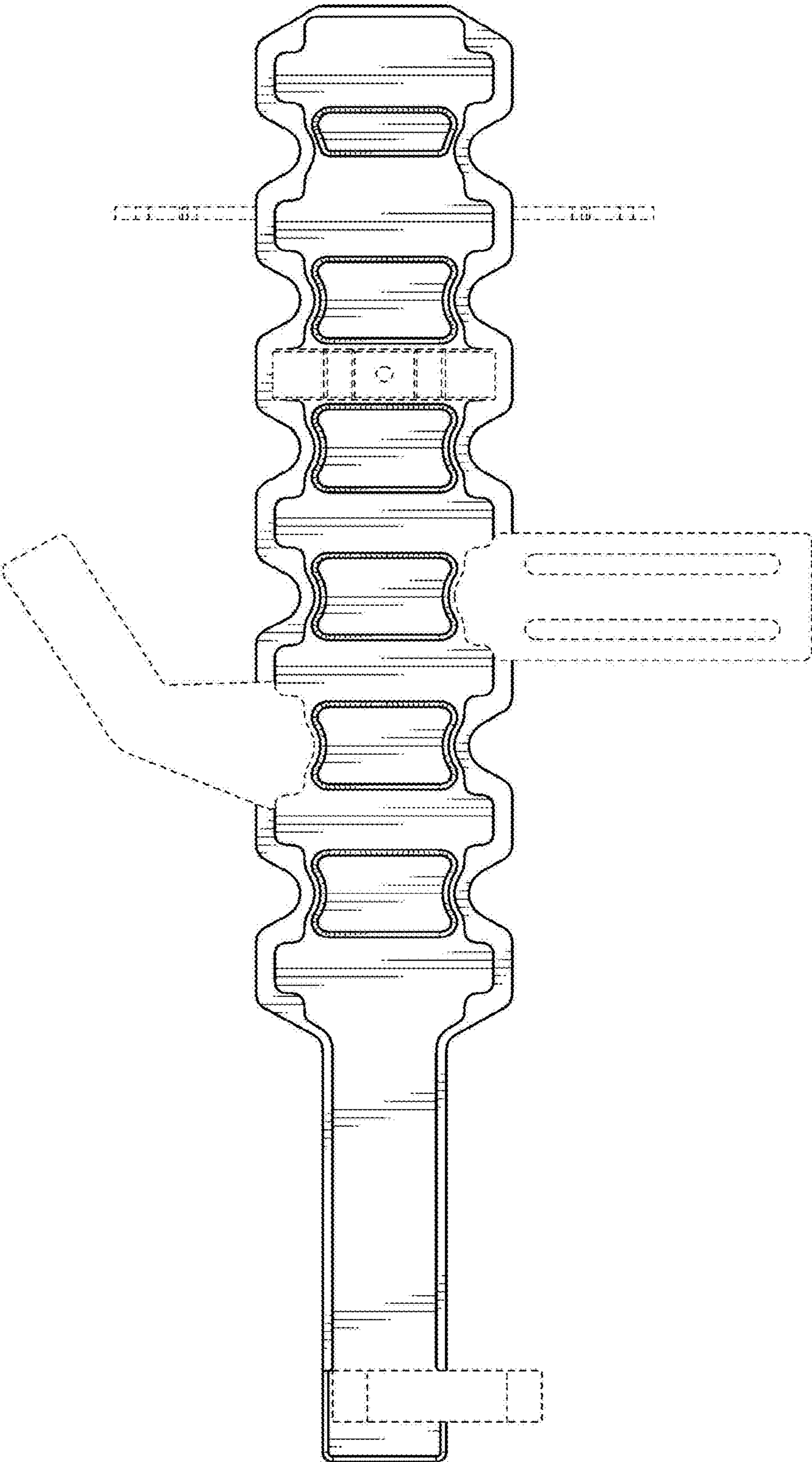


FIG. 2

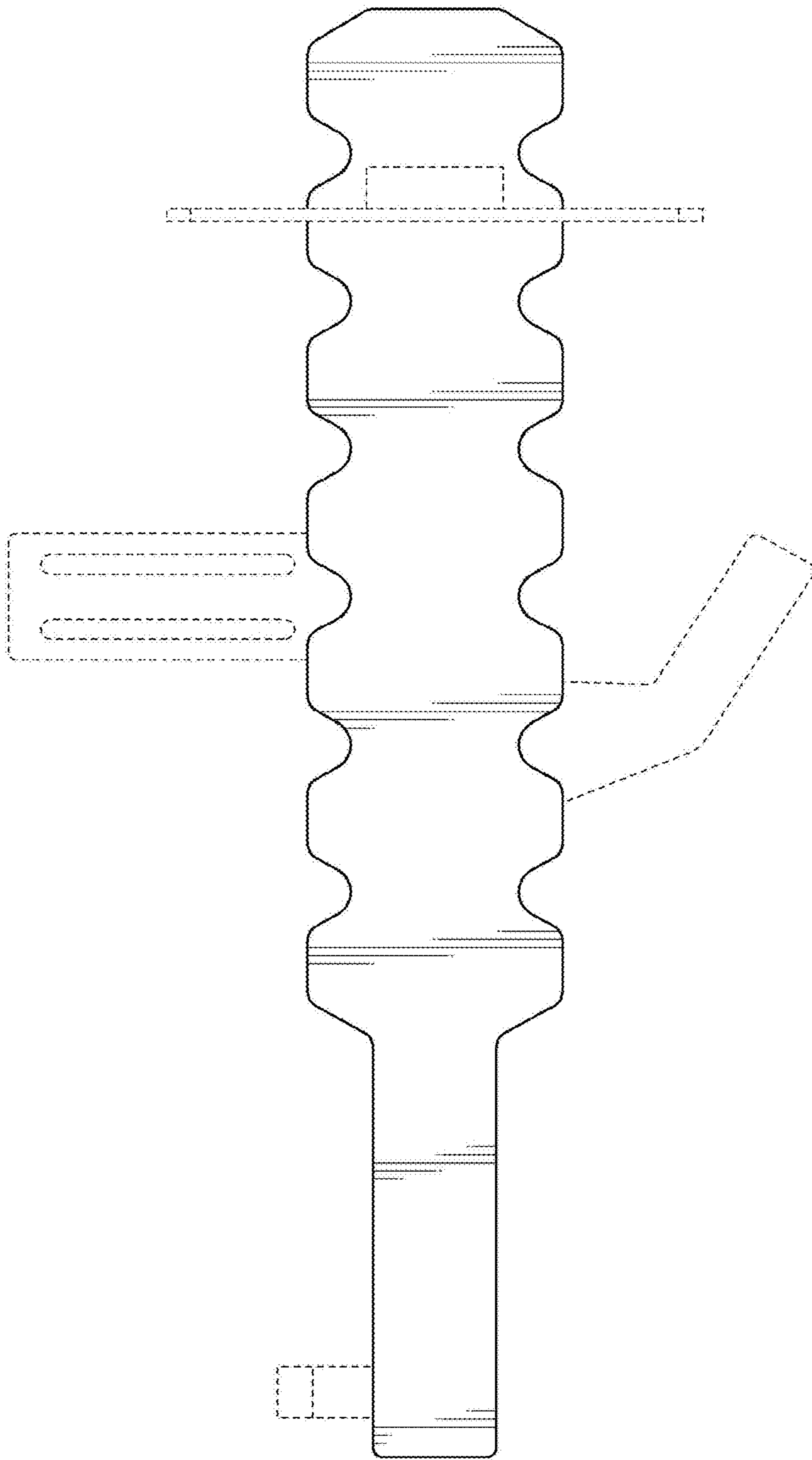


FIG. 3

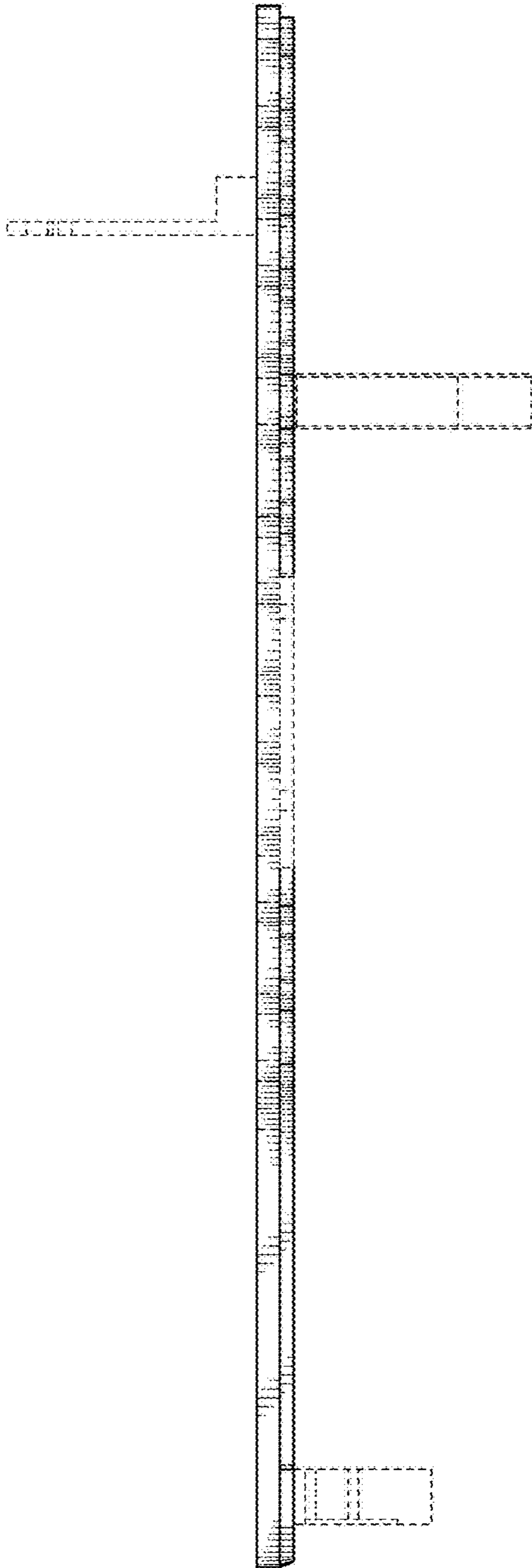


FIG. 4

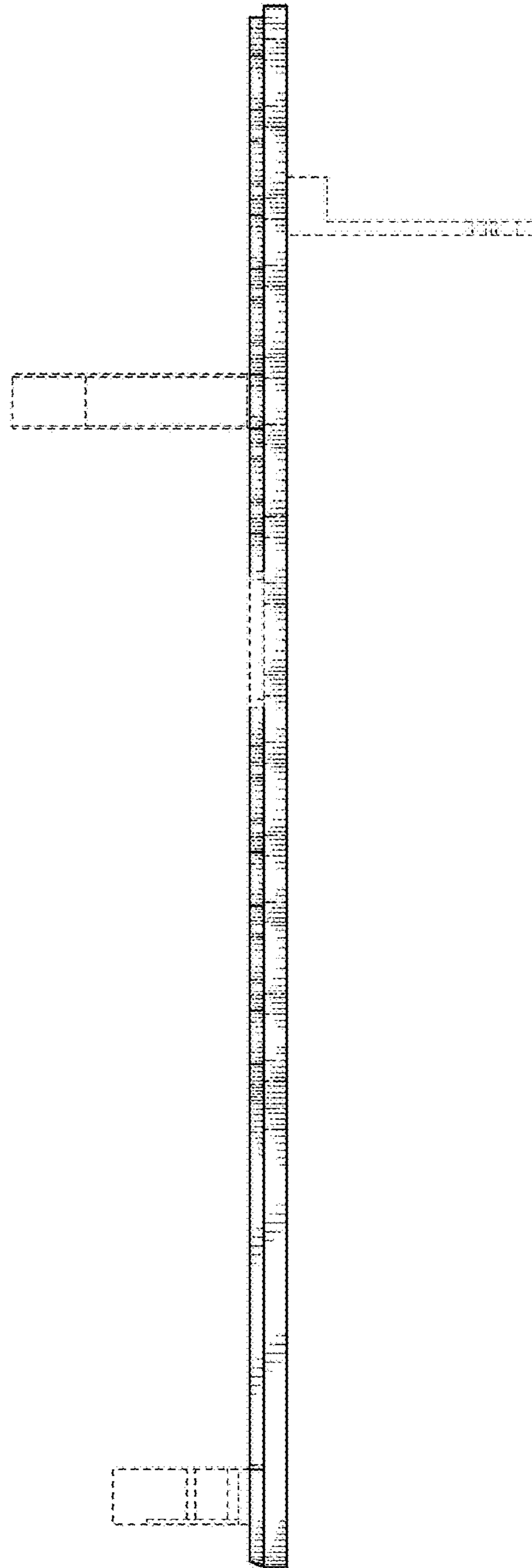


FIG. 5

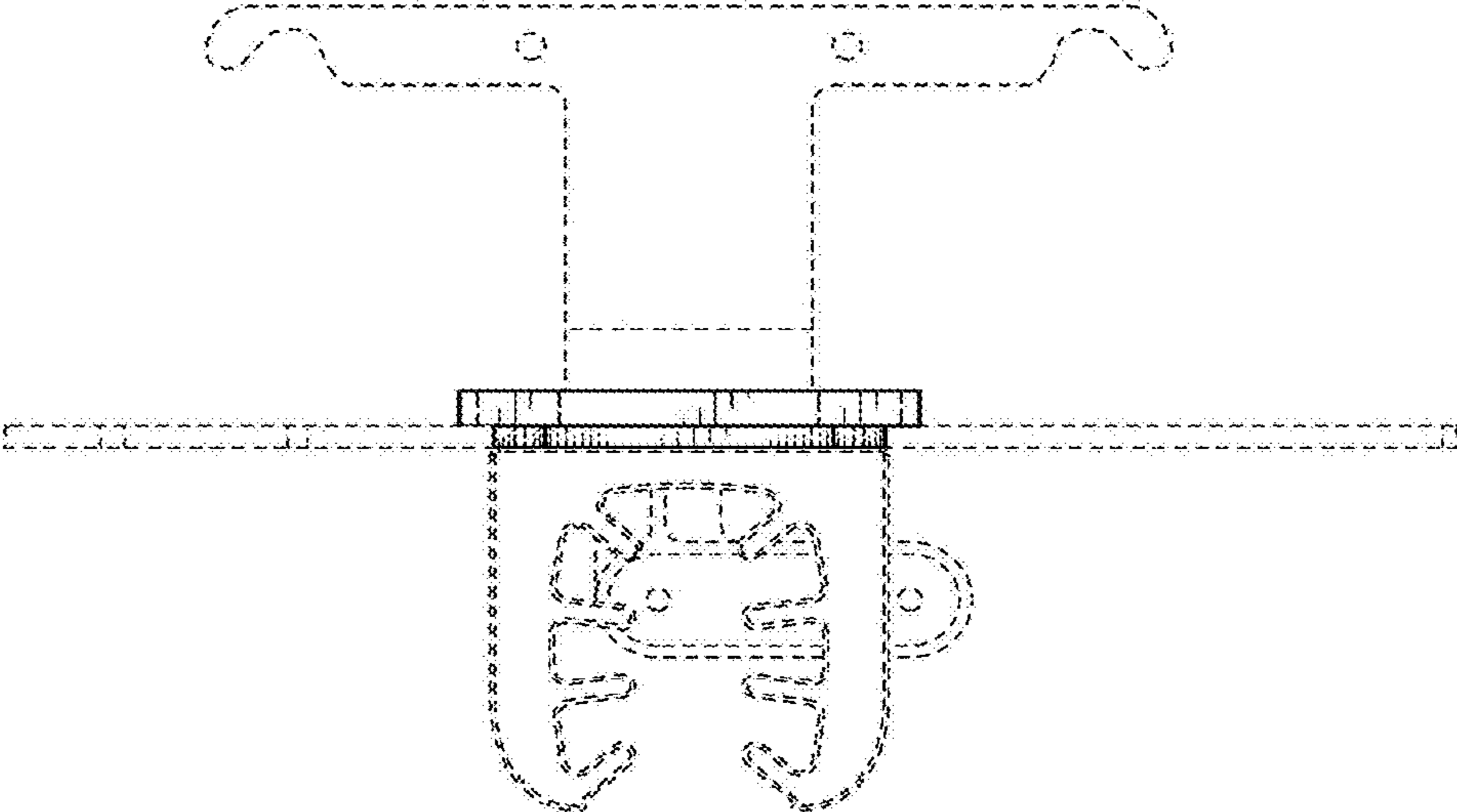


FIG. 6

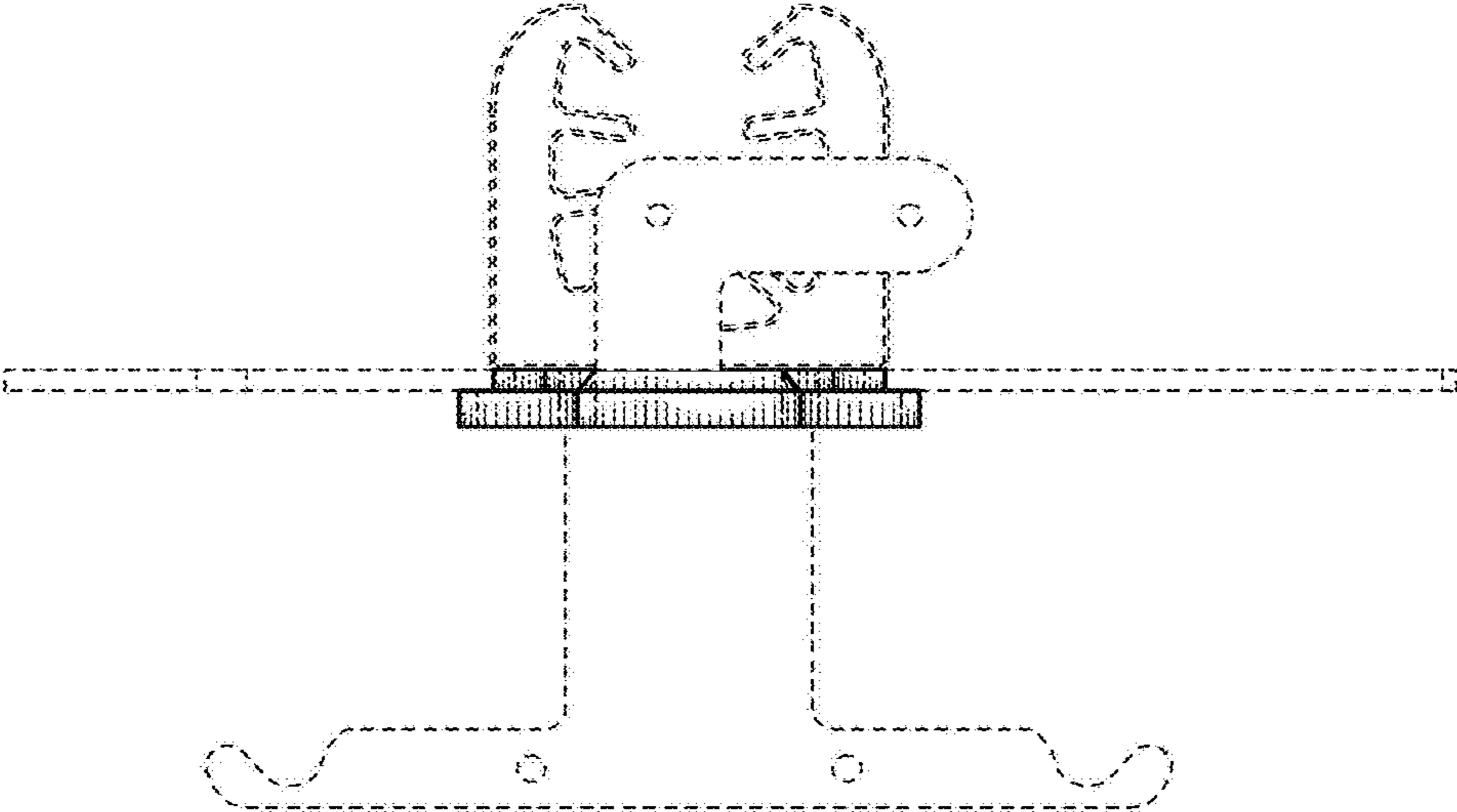


FIG. 7