



US00D832766S

(12) **United States Design Patent** (10) **Patent No.:** **US D832,766 S**
Von Holzhausen et al. (45) **Date of Patent:** **** Nov. 6, 2018**

(54) **SIDE CONSOLE**
(71) Applicant: **Tesla, Inc.**, Palo Alto, CA (US)
(72) Inventors: **Franz Von Holzhausen**, Malibu, CA (US); **Ivan Lampkin**, Redondo Beach, CA (US); **Pascal Grappey**, Rancho Palos Verdes, CA (US)
(73) Assignee: **Tesla, Inc.**, Palo Alto, CA (US)
(**) Term: **15 Years**
(21) Appl. No.: **29/619,066**
(22) Filed: **Sep. 26, 2017**
(51) **LOC (11) Cl.** **12-16**
(52) **U.S. Cl.**
USPC **D12/415**
(58) **Field of Classification Search**
USPC D12/192, 415-426; 296/37.1, 37.8, 296/37.13, 70, 24.3; 280/752, DIG. 5; 224/42.11, 926, 540-542; 180/190
CPC B60R 7/00; B60R 7/04; B60R 7/08; B60R 7/06; B60K 35/00; B60K 37/00; B60K 37/02; B60K 37/04; B64D 11/06; B64D 11/0007
See application file for complete search history.

D522,957 S * 6/2006 Miyashita D12/415
D568,232 S * 5/2008 Motozaki D12/421
D729,144 S * 5/2015 Yamamoto D12/415

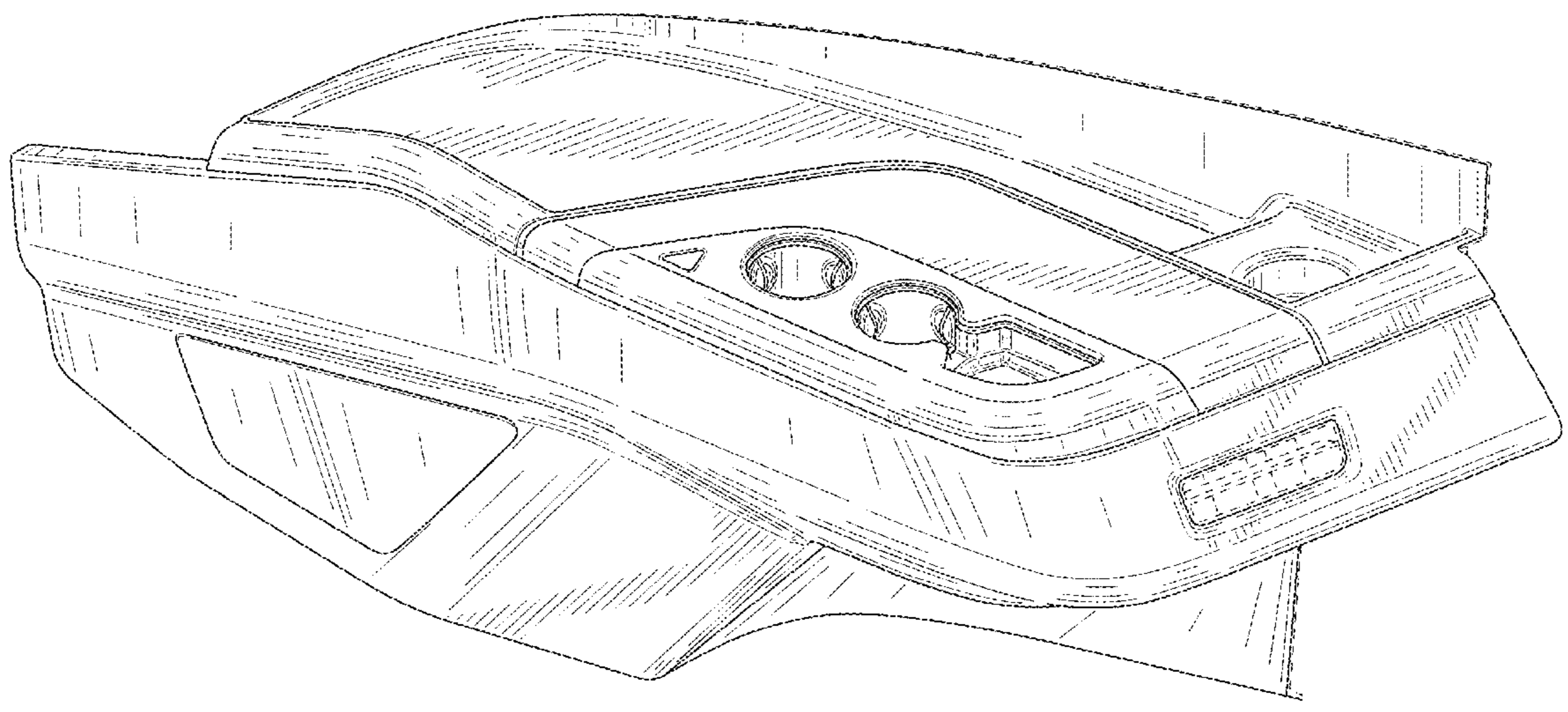
* cited by examiner
Primary Examiner — Abraham Bahta
(74) *Attorney, Agent, or Firm* — Haynes and Boone, LLP

(57) **CLAIM**
The ornamental design for a side console, as shown and described.

DESCRIPTION
FIG. 1 is another side view of the side console of FIG. 1. FIG. 2 is a side-perspective view of the side console of FIG. 1. FIG. 3 is a top view of the side console of FIG. 1. FIG. 4 is a bottom view of the side console of FIG. 1. FIG. 5 is a side view of the side console of FIG. 1. FIG. 6 is a side view of the side console of FIG. 1. FIG. 7 is a front view of the side console of FIG. 1. FIG. 8 is a back view of the side console of FIG. 1; and, FIG. 9 is a perspective view of the side console of FIG. 1 sitting within a semi-truck cabin interior; details of the semi-truck cab interior form no part of the claimed design. The items shown with broken lines form no part of the claimed design.

(56) **References Cited**
U.S. PATENT DOCUMENTS
D359,266 S * 6/1995 Karp D12/419
D448,720 S * 10/2001 Nash D12/192

1 Claim, 9 Drawing Sheets



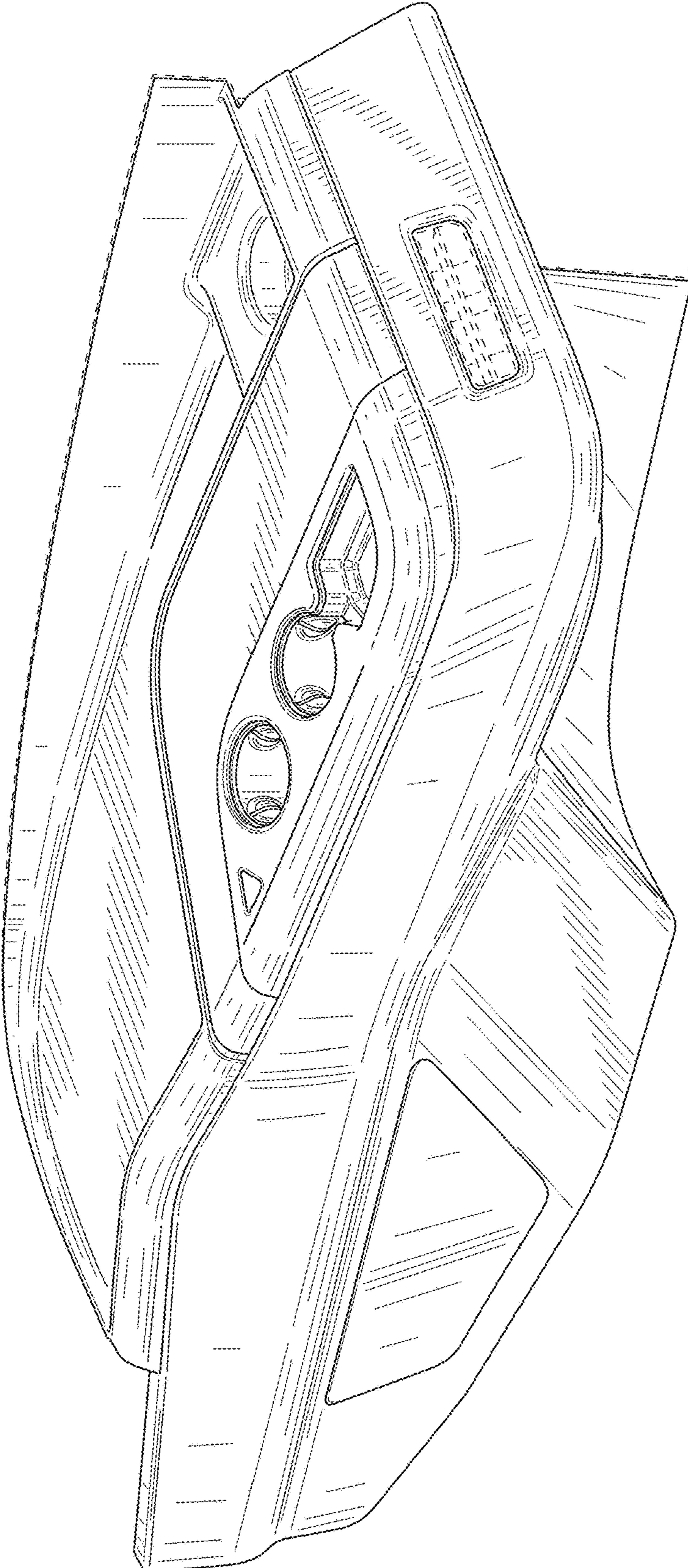


FIG. 1

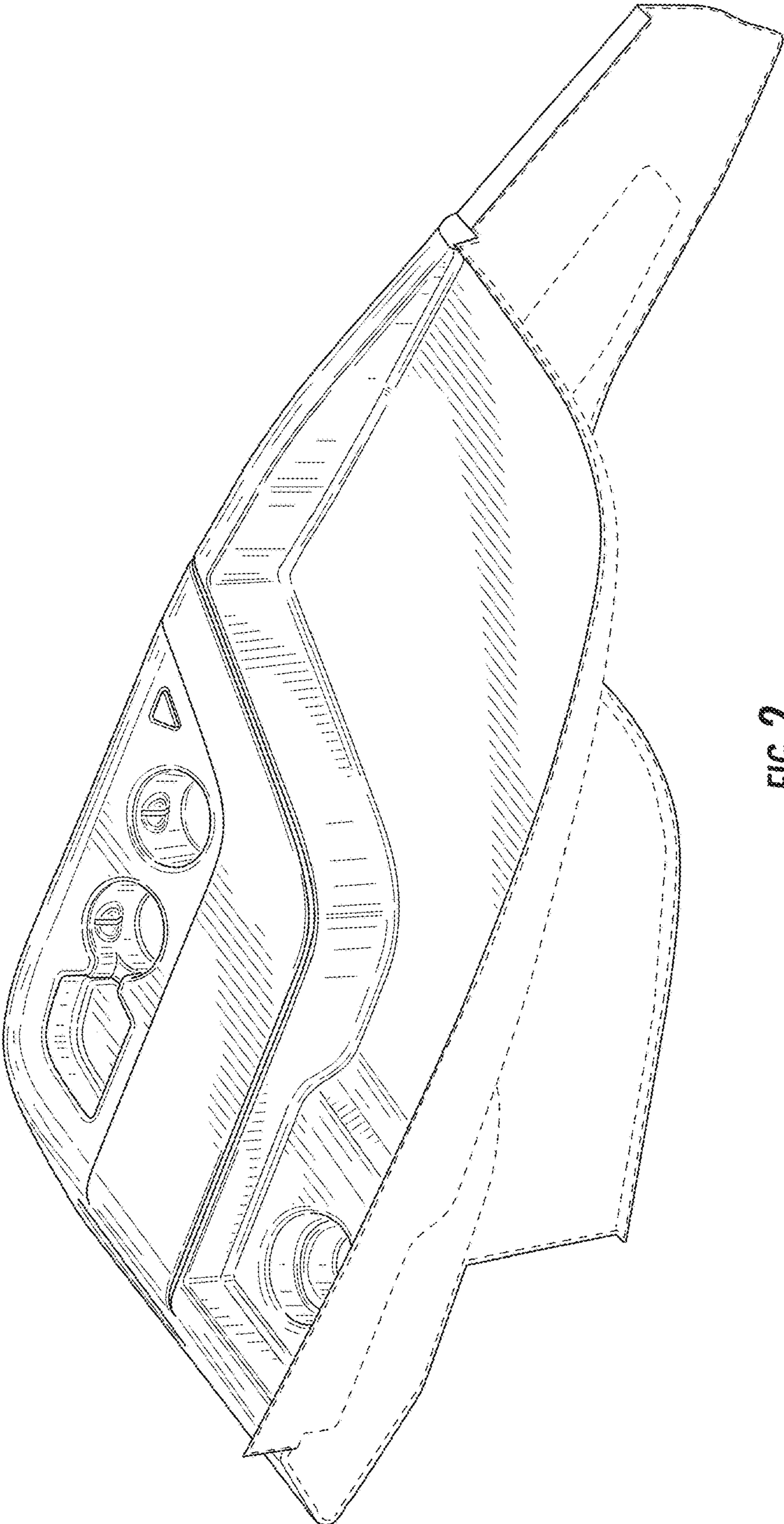


FIG. 2

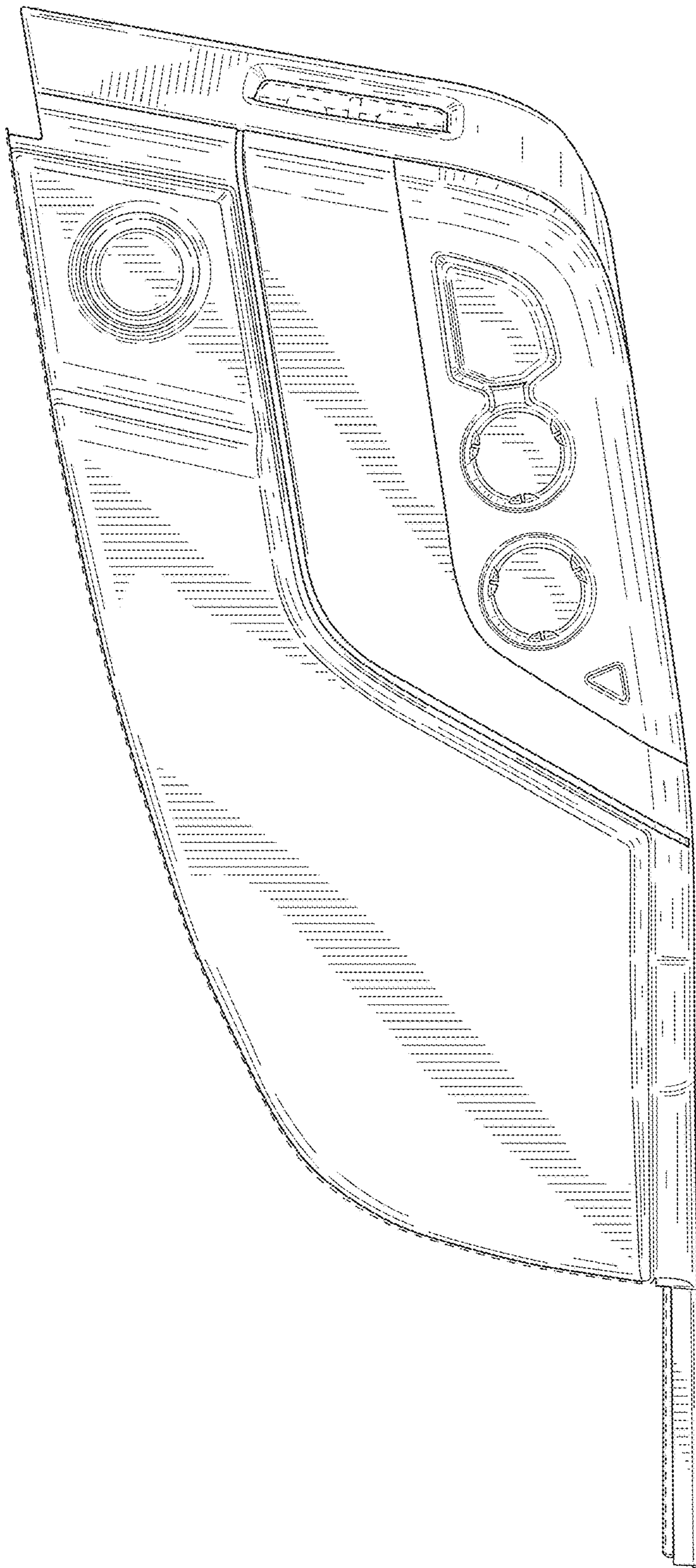


FIG. 3

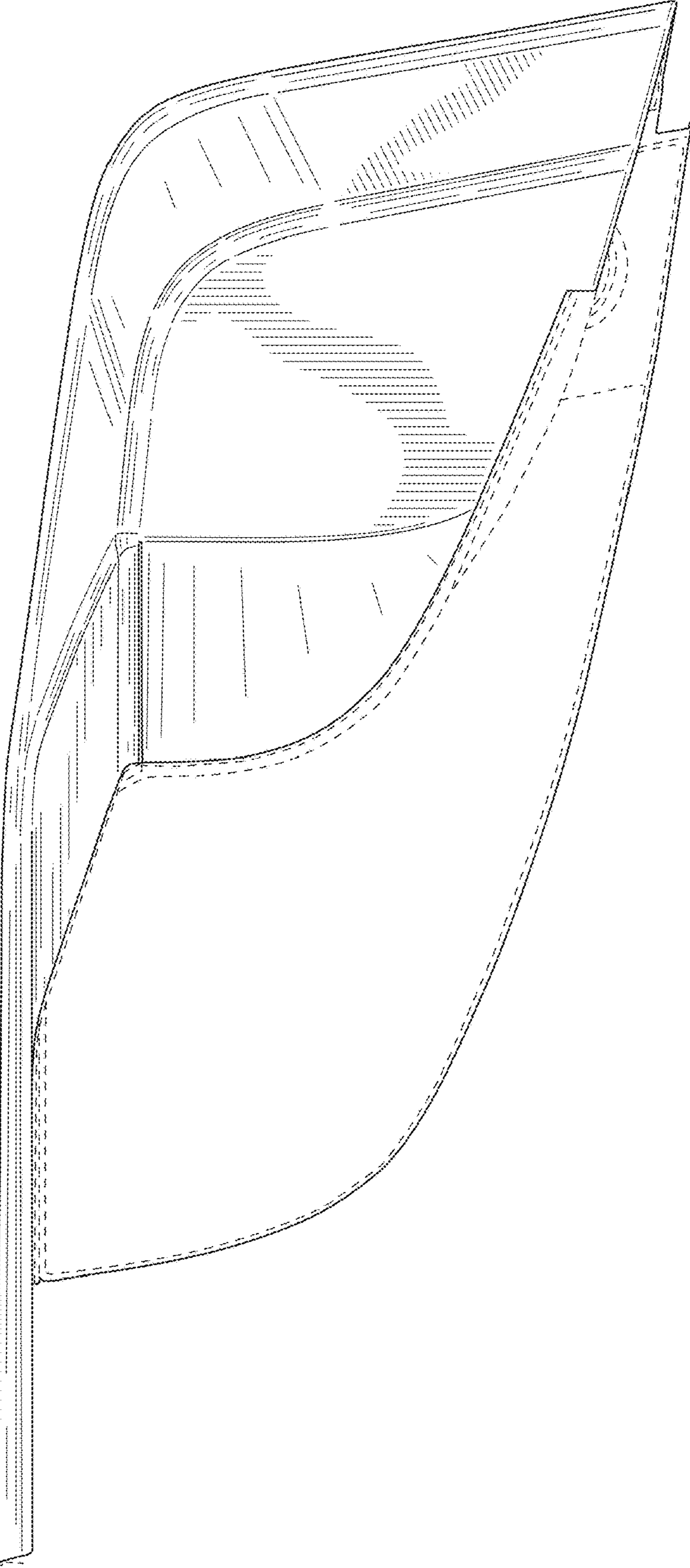


FIG. 4

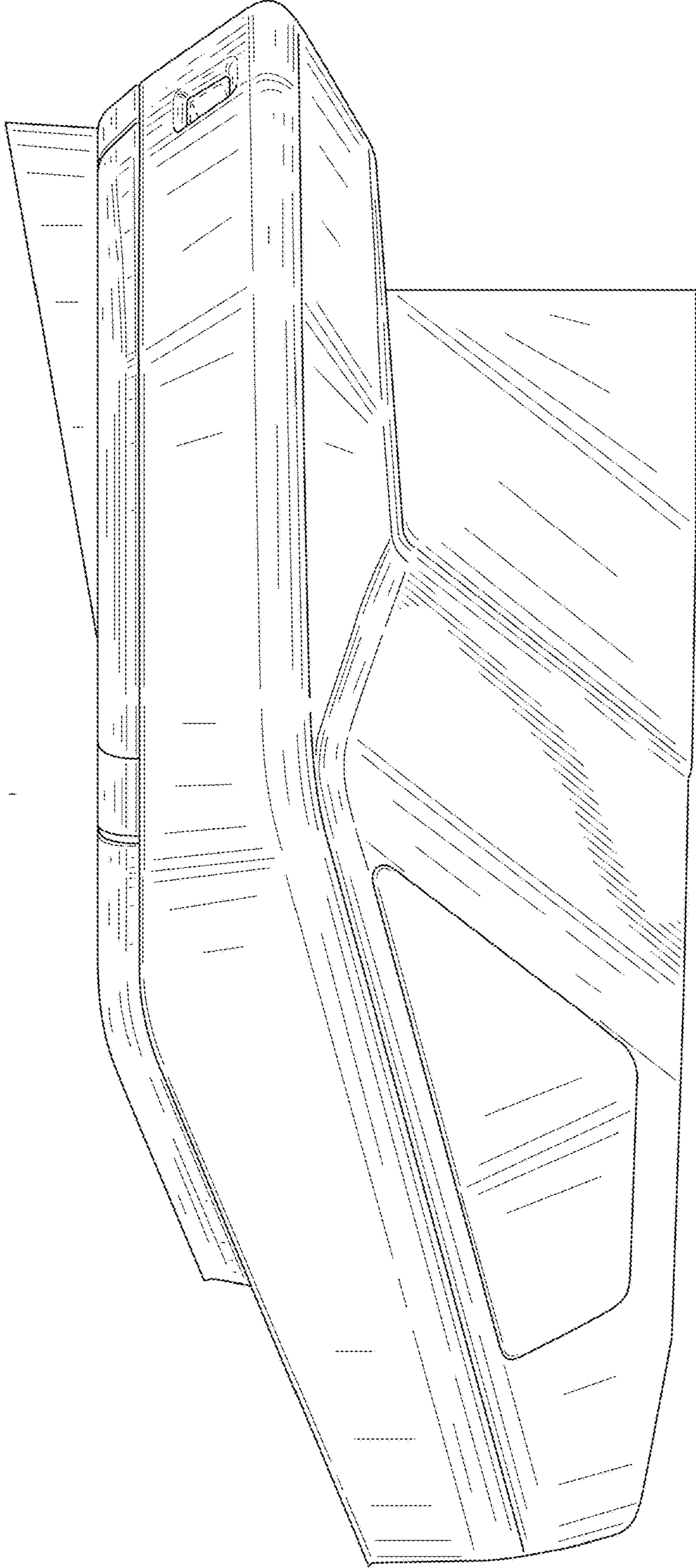


FIG. 5

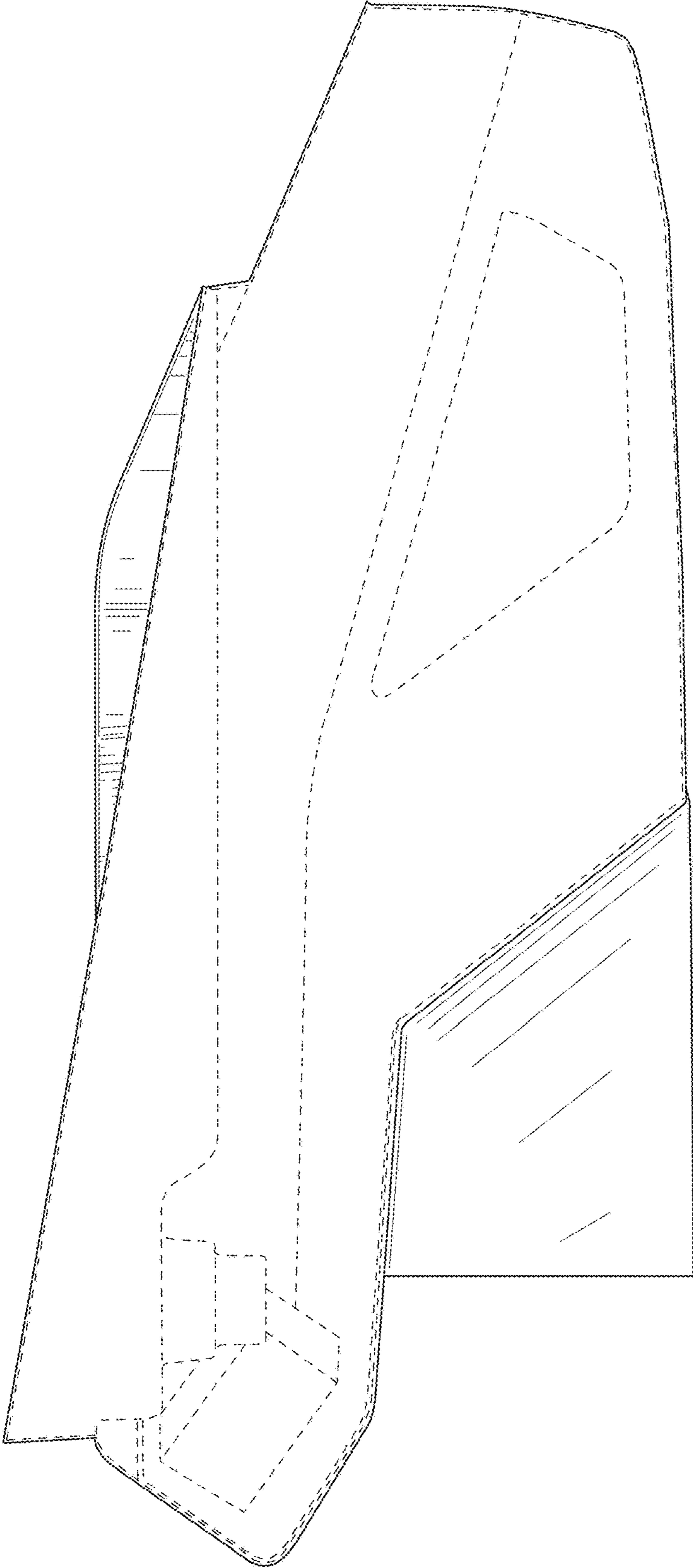


FIG. 6

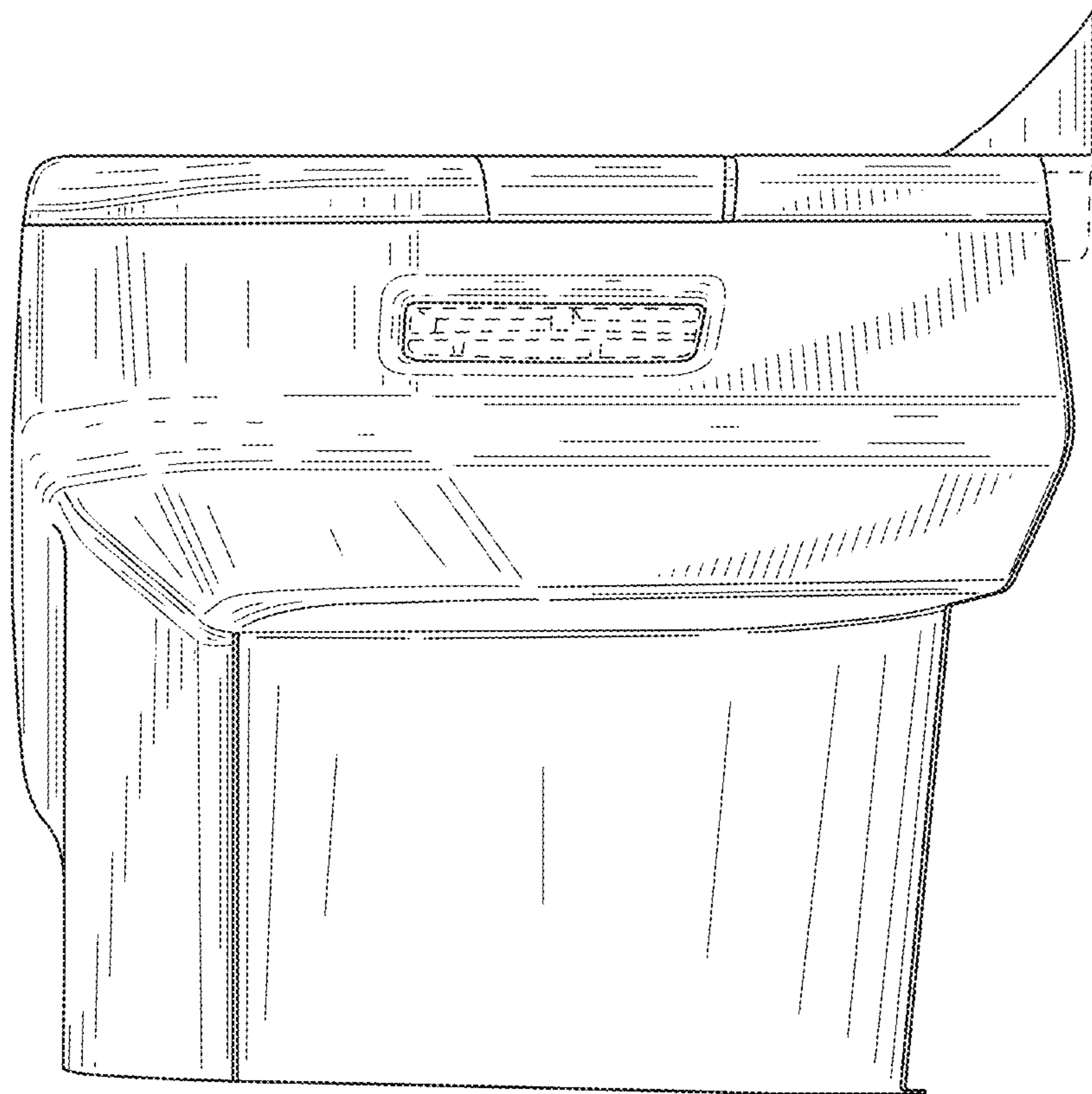


FIG. 7

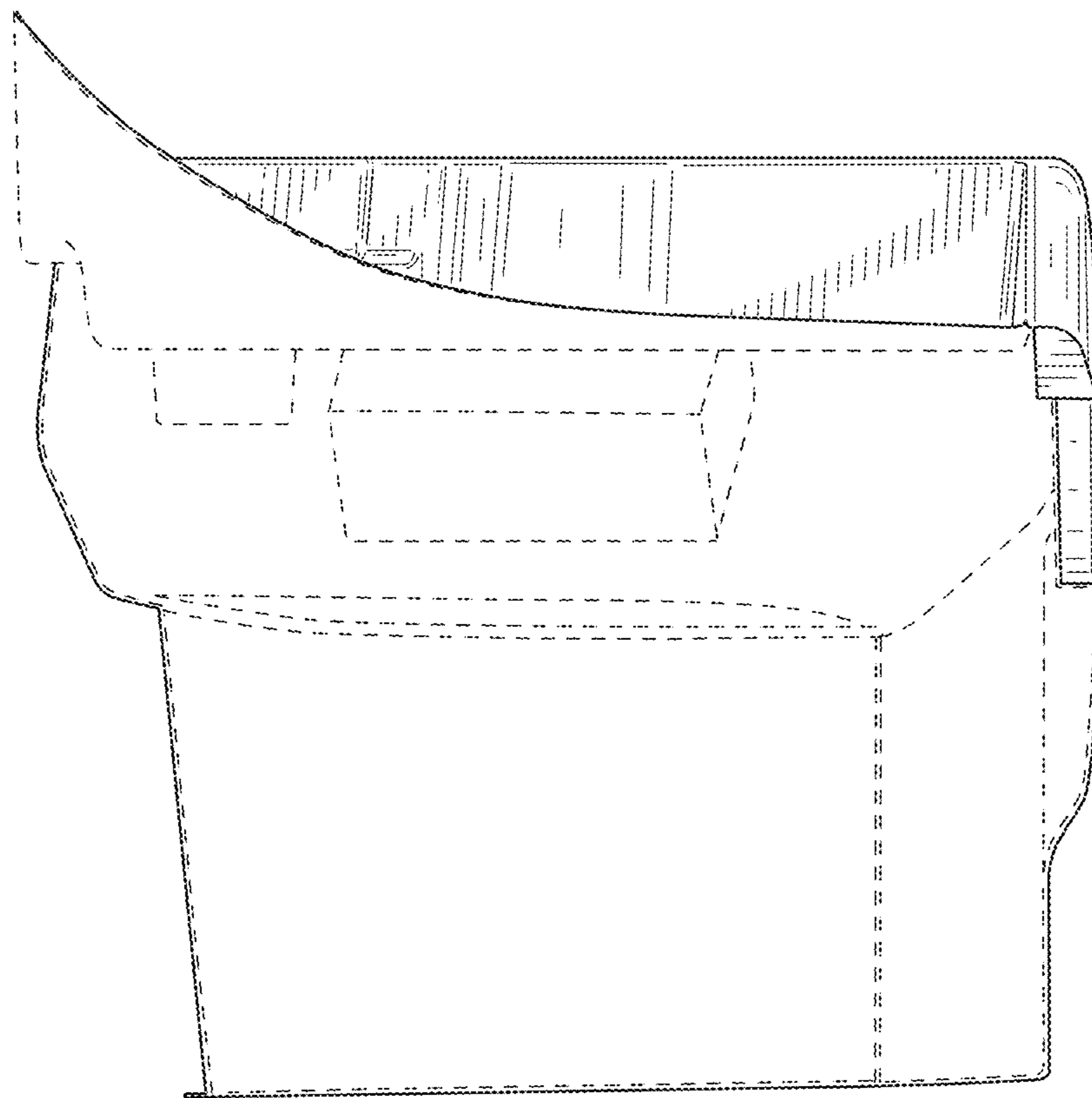


FIG. 8

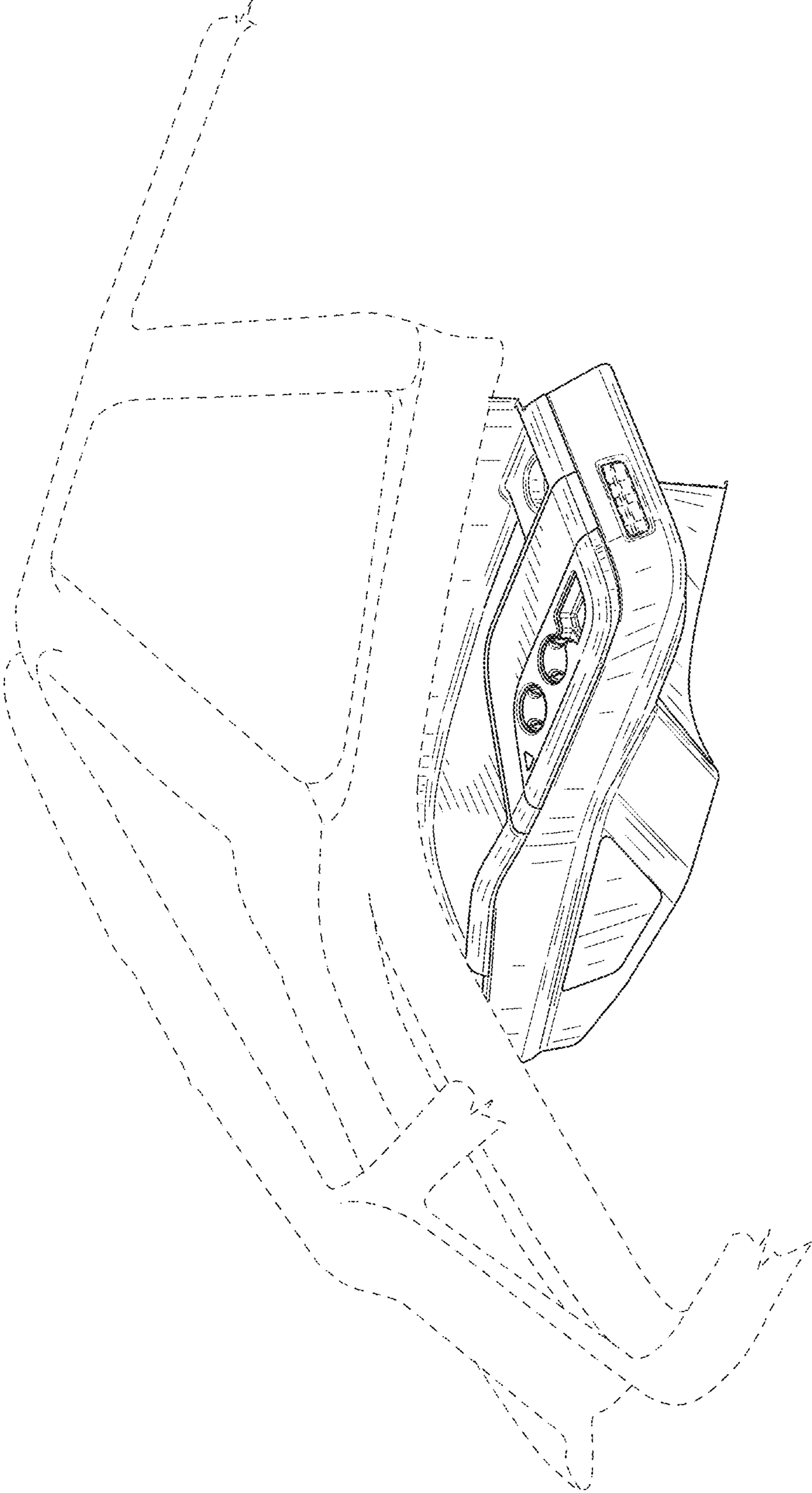


FIG. 9