



US00D832762S

(12) **United States Design Patent**
Austin

(10) **Patent No.:** **US D832,762 S**

(45) **Date of Patent:** **** Nov. 6, 2018**

(54) **WHEEL**

(71) Applicant: **Jaguar Land Rover Limited**, Whitley,
Coventry (GB)

(72) Inventor: **Robin Austin**, Coventry (GB)

(73) Assignee: **Jaguar Land Rover Limited**, Whitley
Coventry (GB)

(**) Term: **15 Years**

(21) Appl. No.: **29/591,524**

(22) Filed: **Jan. 20, 2017**

(30) **Foreign Application Priority Data**

Jul. 20, 2016 (EM) 003313485-0001

(51) **LOC (11) Cl.** **12-16**

(52) **U.S. Cl.**
USPC **D12/209**

(58) **Field of Classification Search**
USPC D12/204–213
CPC B60B 3/02; B60B 3/04; B60B 3/06; B60B
3/10; B60B 7/00; B60B 7/02; B60B 7/04;
B60B 7/06
See application file for complete search history.

(56) **References Cited**

U.S. PATENT DOCUMENTS

D560,585 S * 1/2008 Blasi D12/209
D608,713 S * 1/2010 Bucher D12/209
D614,558 S * 4/2010 Luciani D12/209
D617,712 S * 6/2010 Juergens D12/209

D626,052 S * 10/2010 Majdandzic D12/209
D649,503 S * 11/2011 Platto D12/209
D664,081 S * 7/2012 Muller D12/209
D671,477 S * 11/2012 Juergens D12/209
D673,095 S * 12/2012 Behmer D12/209
D697,006 S * 1/2014 Schneider D12/209
D734,234 S * 7/2015 Juergens D12/209
D746,750 S * 1/2016 Curtis D12/209
D749,028 S * 2/2016 Henstridge D12/209
D756,883 S * 5/2016 Valencia Pollex D12/211
D760,139 S * 6/2016 Dionisopoulos D12/209
D764,369 S * 8/2016 Wheel D12/209
D780,663 S * 3/2017 Perini D12/211
D784,233 S * 4/2017 Hejtmanek D12/209
D797,635 S * 9/2017 Rueckheim D12/209
D815,004 S * 4/2018 Smith D12/209

* cited by examiner

Primary Examiner — Sheryl Lane

Assistant Examiner — Calvin E Vanshant

(74) *Attorney, Agent, or Firm* — Wood Herron & Evans
LLP

(57) **CLAIM**

The ornamental design for a wheel, as shown and described.

DESCRIPTION

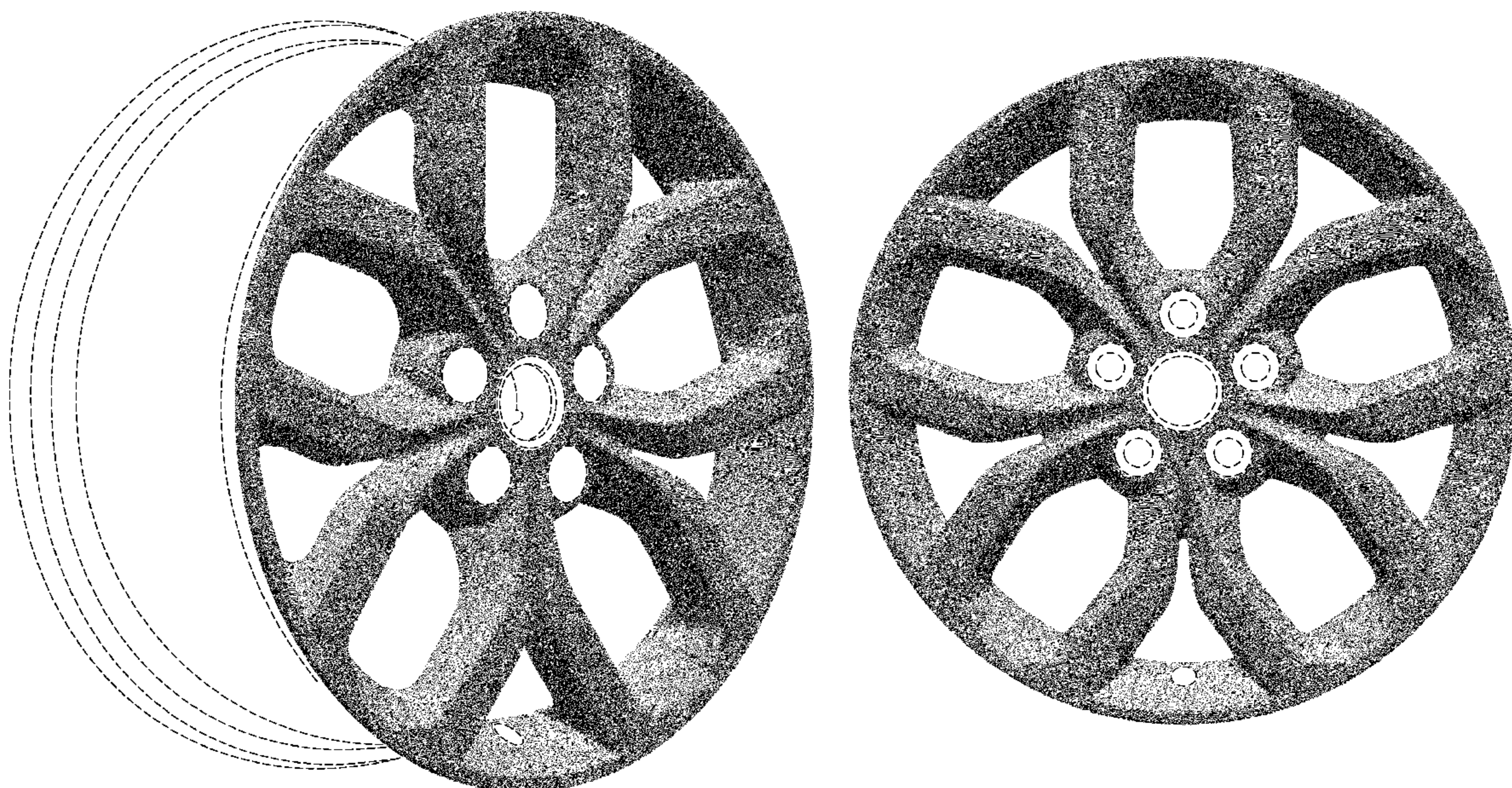
FIG. 1 is a front left perspective view of a wheel for a vehicle according to the present invention.

FIG. 2 is a front view thereof; and,

FIG. 3 is a left side view thereof, the right side being a mirror image thereof.

The broken lines depict portions of the wheel that form no part of the claim.

1 Claim, 2 Drawing Sheets



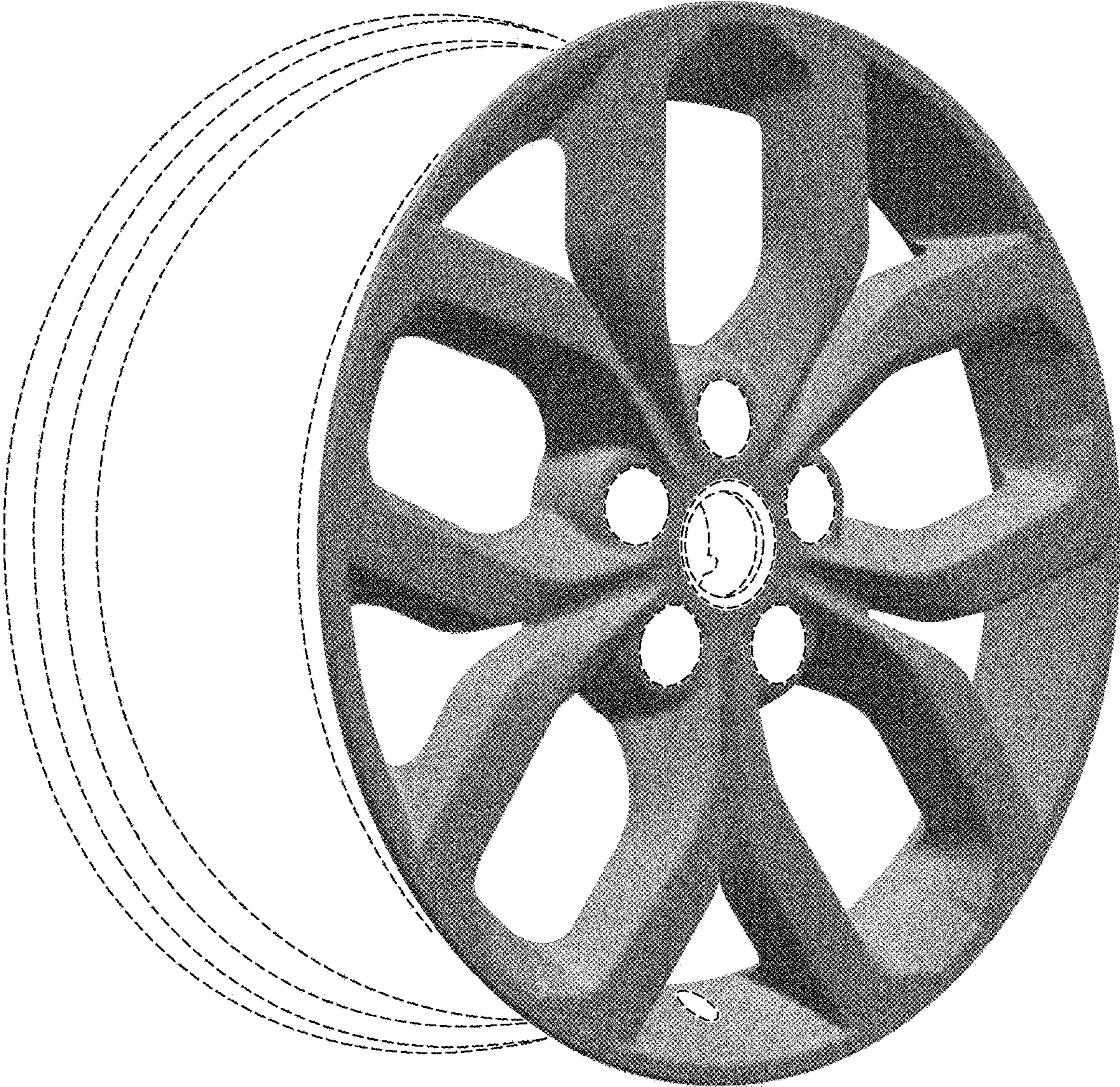


FIG. 1

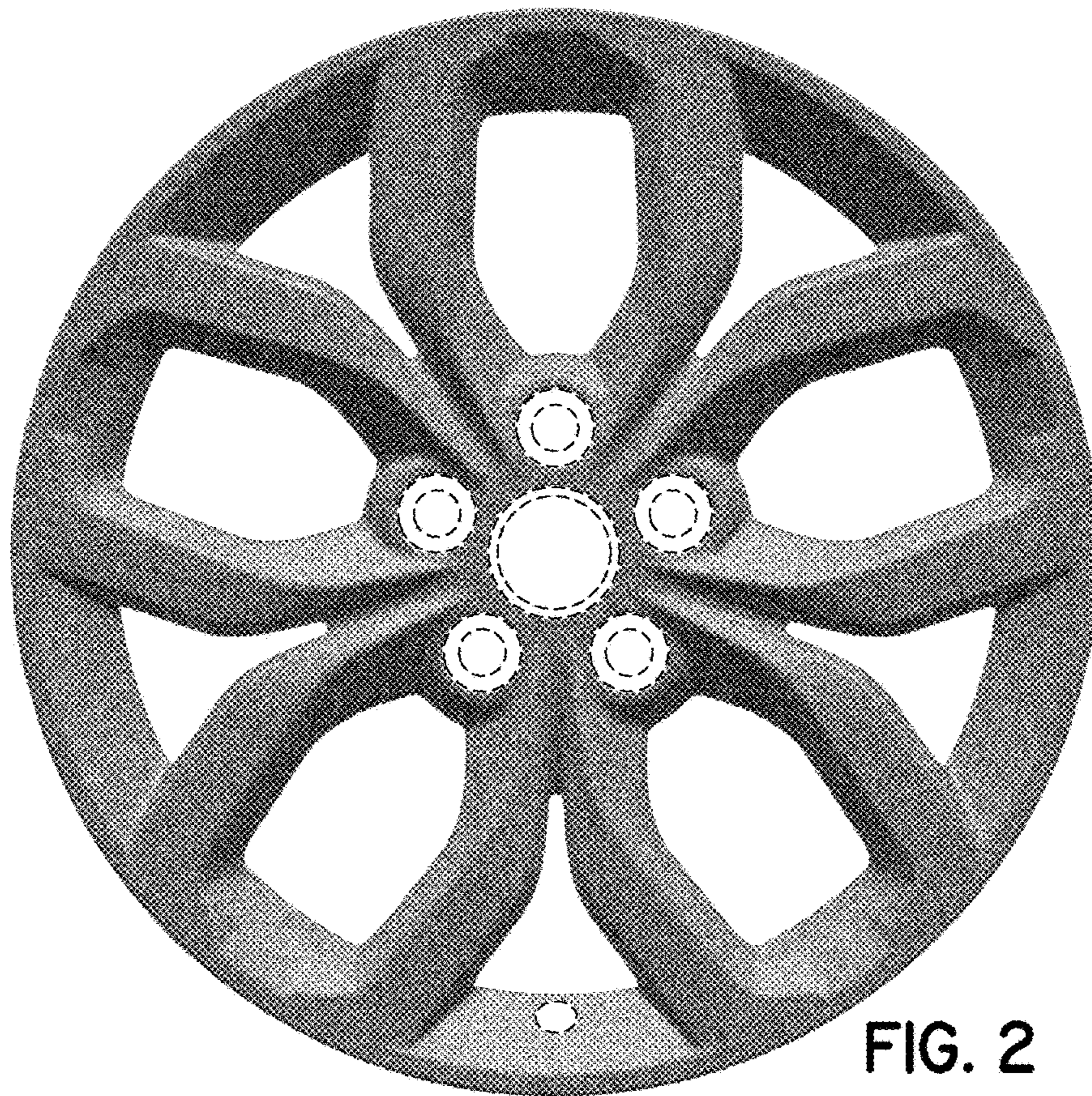


FIG. 2

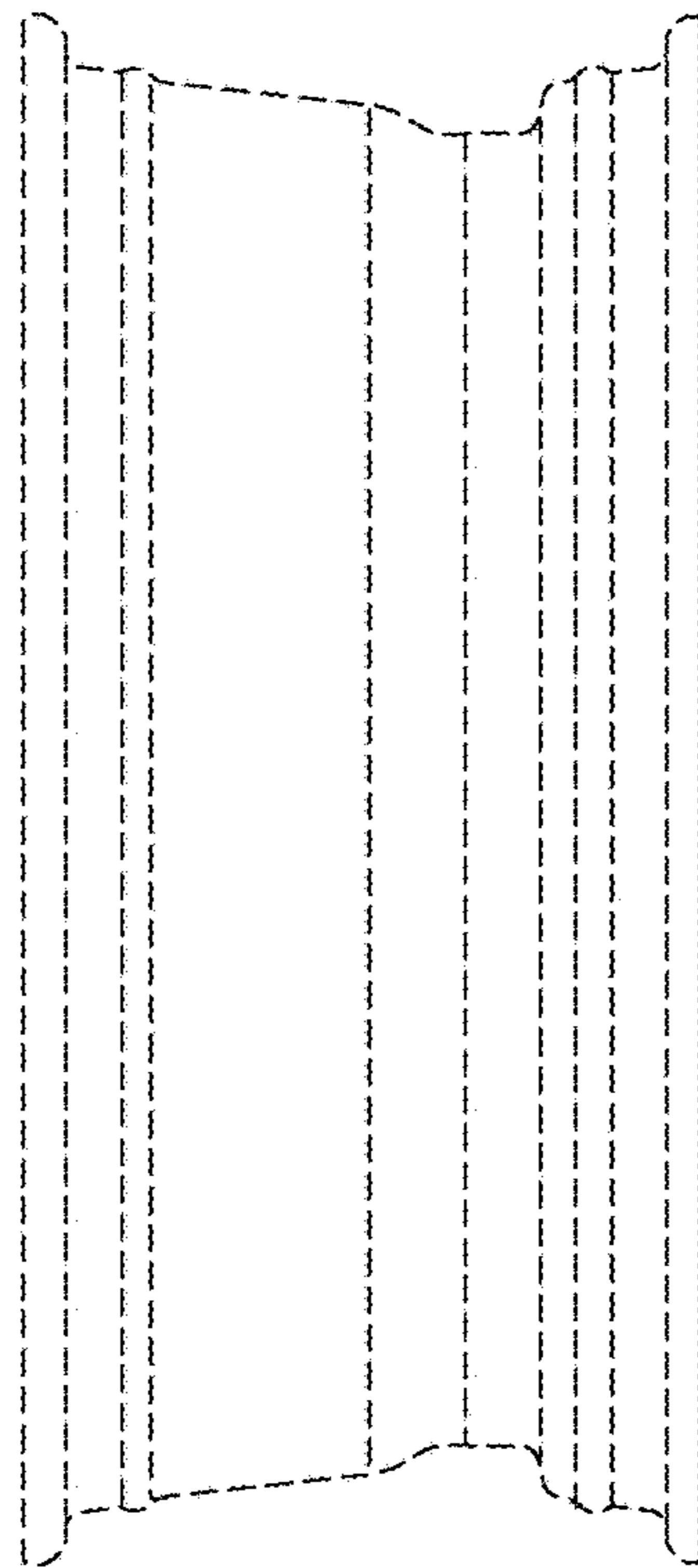


FIG. 3