

US00D832759S

(12) **United States Design Patent** (10) **Patent No.:** **US D832,759 S**  
**Kwak et al.** (45) **Date of Patent:** **\*\* Nov. 6, 2018**

(54) **PAIR OF FRONT DOOR PANELS FOR VEHICLES**

(71) Applicant: **KIA MOTORS CORPORATION**, Seoul (KR)

(72) Inventors: **Dae-Hoon Kwak**, Gwangmyeong-si (KR); **Yong-Jin Park**, Seoul (KR); **Sung-Wook Kim**, Gunpo-si (KR)

(73) Assignee: **Kia Motors Corporation**, Seoul (KR)

(\*\*) Term: **15 Years**

(21) Appl. No.: **35/502,839**

(22) Filed: **Oct. 17, 2016**

(80) **Hague Agreement Data**

Int. Filing Date: **Oct. 17, 2016**

Int. Reg. No.: **DM/093301**

Int. Reg. Date: **Oct. 17, 2016**

Int. Reg. Pub. Date: **Apr. 21, 2017**

(30) **Foreign Application Priority Data**

Aug. 29, 2016 (KR) ..... 30-2016-0042015

(51) **LOC (11) Cl.** ..... **12-16**

(52) **U.S. Cl.**  
USPC ..... **D12/196**

(58) **Field of Classification Search**  
USPC ..... D12/86, 90, 91, 92, 181, 184, 196  
CPC ..... B60J 5/04  
See application file for complete search history.

(56) **References Cited**

**U.S. PATENT DOCUMENTS**

D466,052 S \* 11/2002 Abbott ..... D12/91  
D522,916 S \* 6/2006 Mauer ..... D12/91  
D618,604 S \* 6/2010 Beigel ..... D12/196  
D643,339 S \* 8/2011 Burki ..... D12/91  
D644,974 S \* 9/2011 Kunnai ..... D12/196  
D658,556 S \* 5/2012 Hakamata ..... D12/196

D670,606 S \* 11/2012 Frenzel ..... D12/91  
D682,173 S \* 5/2013 Takahashi ..... D12/196  
D695,663 S \* 12/2013 Suga ..... D12/196  
D724,491 S \* 3/2015 Futschik ..... D12/86  
D751,463 S \* 3/2016 Futschik ..... D12/91  
D760,137 S \* 6/2016 Galante ..... D12/196  
D762,541 S \* 8/2016 Jo ..... D12/196

(Continued)

**OTHER PUBLICATIONS**

2018 Kia Rio GT Hot Hatch Could Happen, Here's the Rendering. by Mihnea Radu on [www.autoevolution.com](http://www.autoevolution.com) dated Sep. 3, 2016; 4 pages. Found online Mar. 15, 2018 at <https://www.autoevolution.com/news/2018-kia-rio-gt-hot-hatch-could-happen-here-s-the-rendering-110899.html>.\*

(Continued)

*Primary Examiner* — Robert M. Spear

(74) *Attorney, Agent, or Firm* — Mintz Levin Cohn Ferris Glovsky and Popeo, P.C.; Kongsik Kim; Jongwoo Jay Peck

(57) **CLAIM**

The ornamental design for a pair of front door panels for vehicles, as shown and described.

**DESCRIPTION**

1. Pair of front door panels for vehicles

1.1 : Perspective

1.2 : Front

1.3 : Back

1.4 : Left

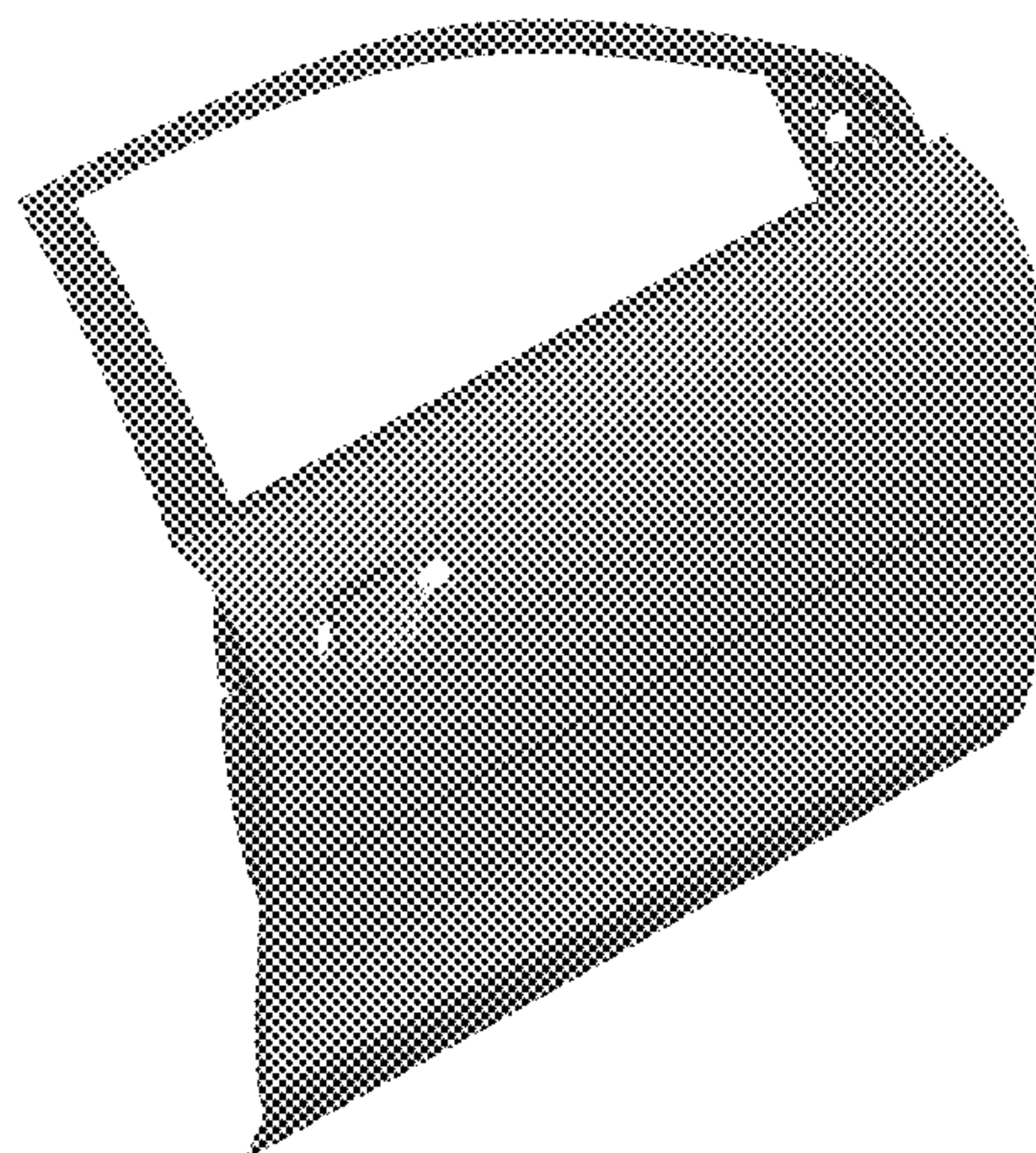
1.5 : Right

1.6 : Top

1.7 : Bottom

This article concerns the pair of outer panels of a front door of a vehicle, which can be opened and closed from both sides (left and right sides). The design presented in Figs. 1.1 through 1.7 illustrates an appearance of an outer panel of a front right side door. An outer panel of a front left side door

(Continued)



has an appearance that is a mirror image of the design presented in Figs. 1.1 through 1.7.

**1 Claim, 7 Drawing Sheets**

(56)

**References Cited**

U.S. PATENT DOCUMENTS

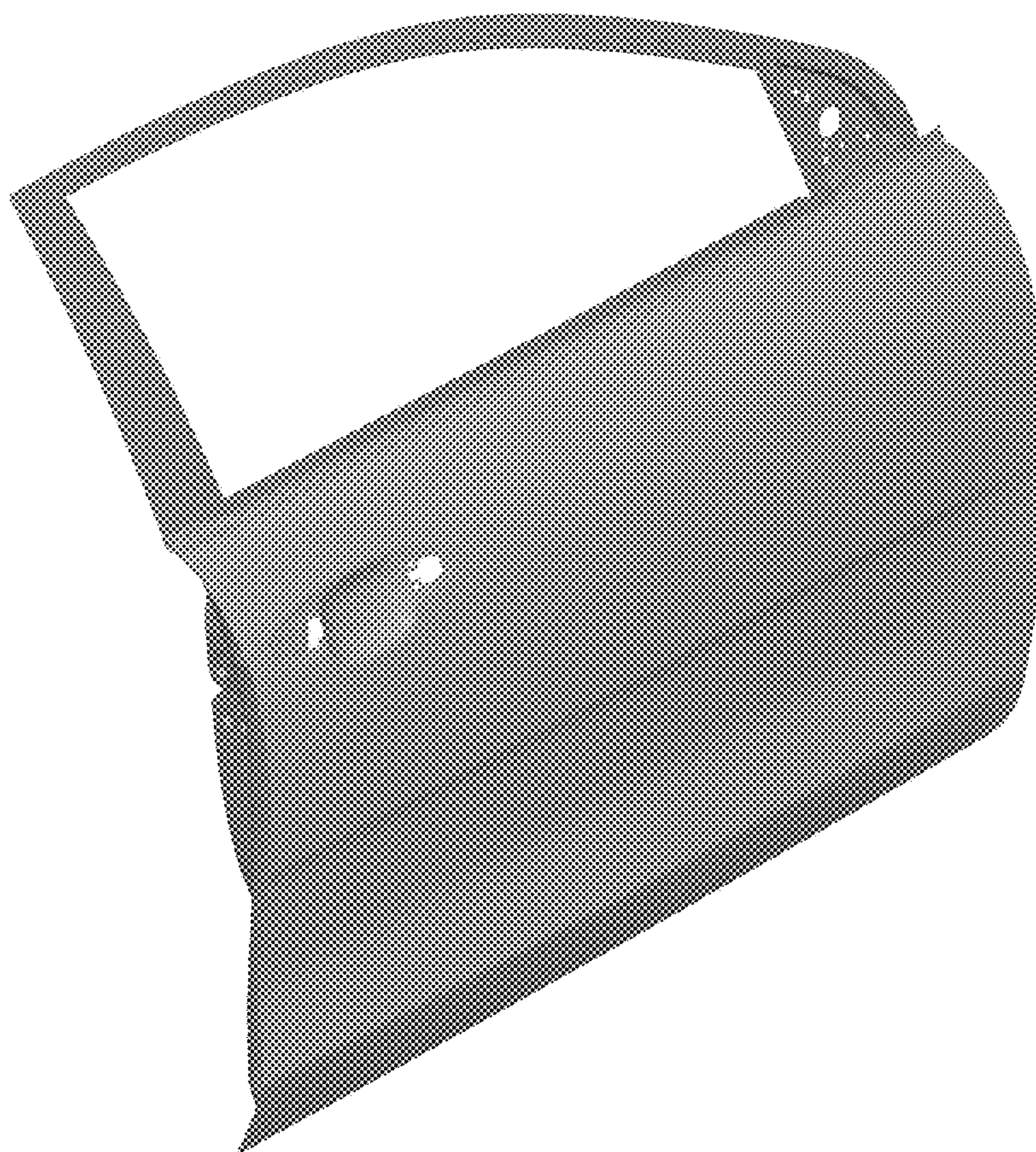
D770,942 S \* 11/2016 Woodhouse ..... D12/92  
D786,761 S \* 5/2017 Luk ..... D12/196  
D790,400 S \* 6/2017 Zavatski ..... D12/91  
D801,228 S \* 10/2017 Ahn ..... D12/91  
D803,121 S \* 11/2017 Granlund ..... D12/196

OTHER PUBLICATIONS

Is the Kia GT concept actually going to production? by blogsadmin; dated Dec. 1, 2016; 5 pages. Found 3/145/2018 online at <http://www.ggkia.com/blog/will-there-be-a-2018-kia-gt-available-in-the-u-s/>.\*

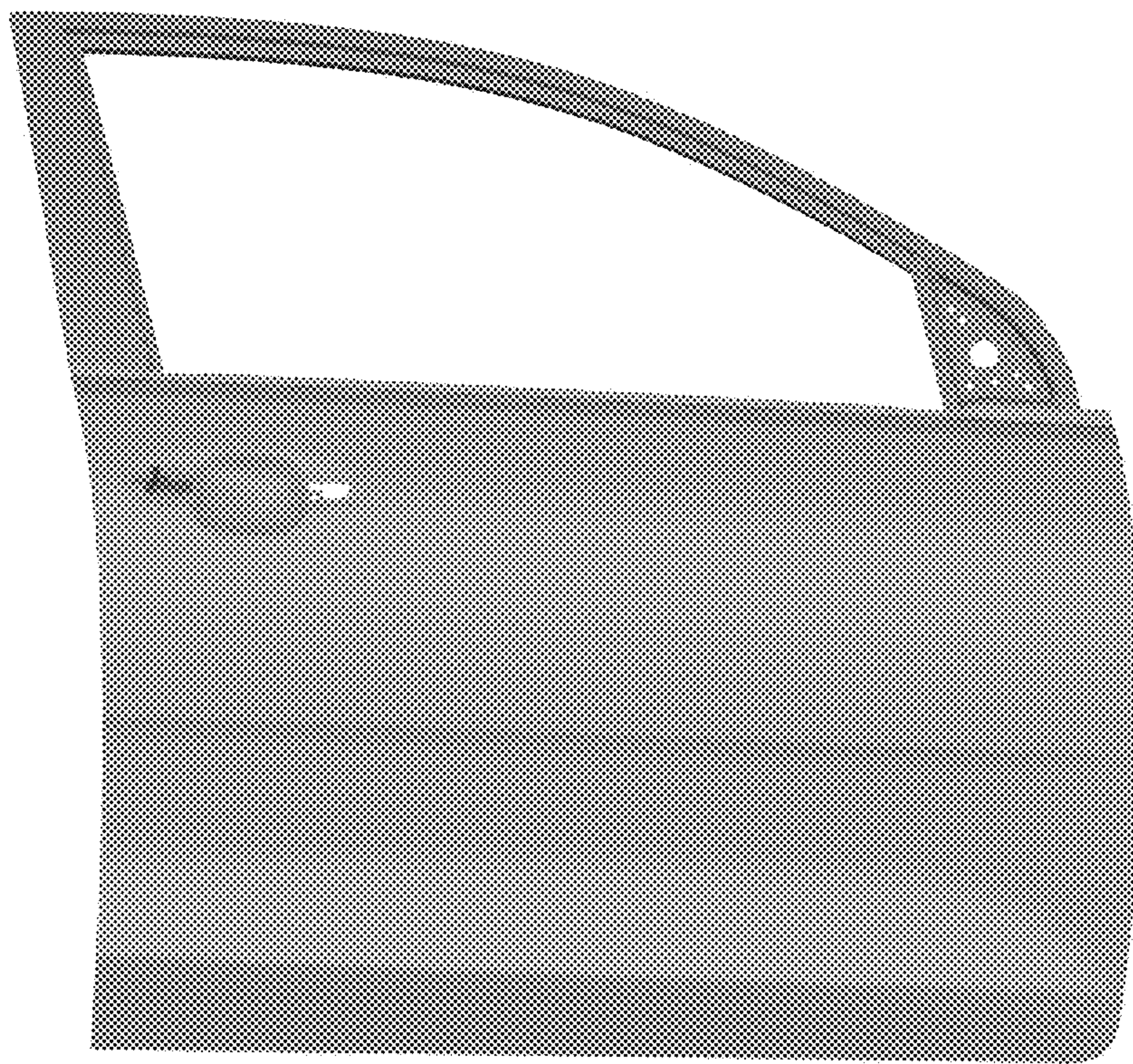
\* cited by examiner

**1.1**

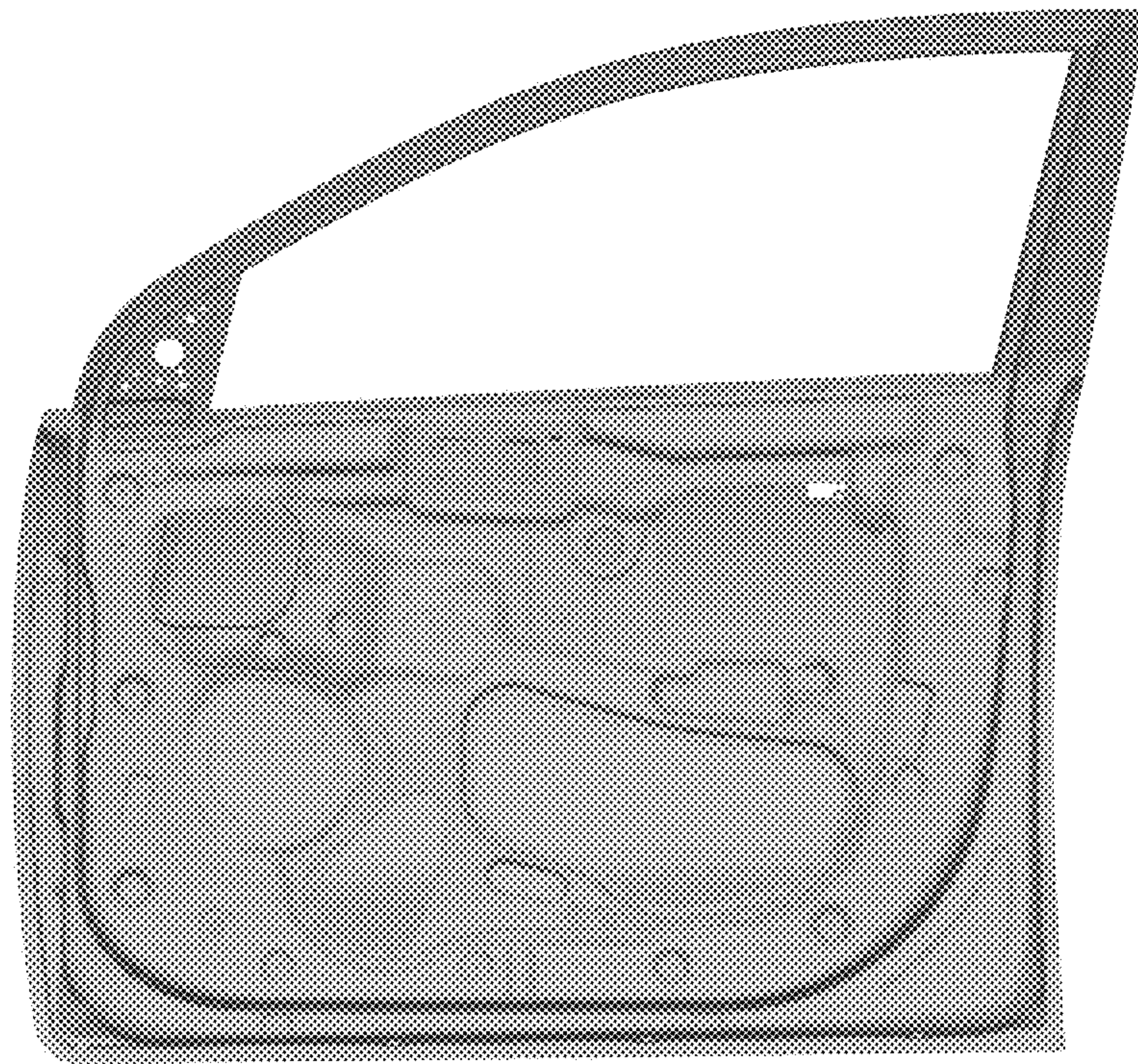




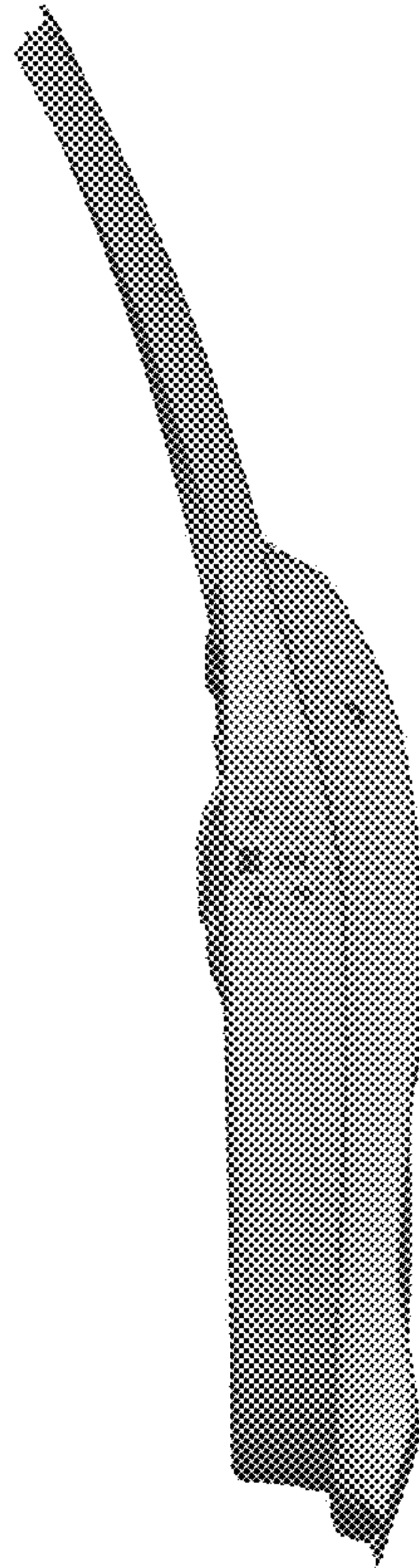
1.2



1.3

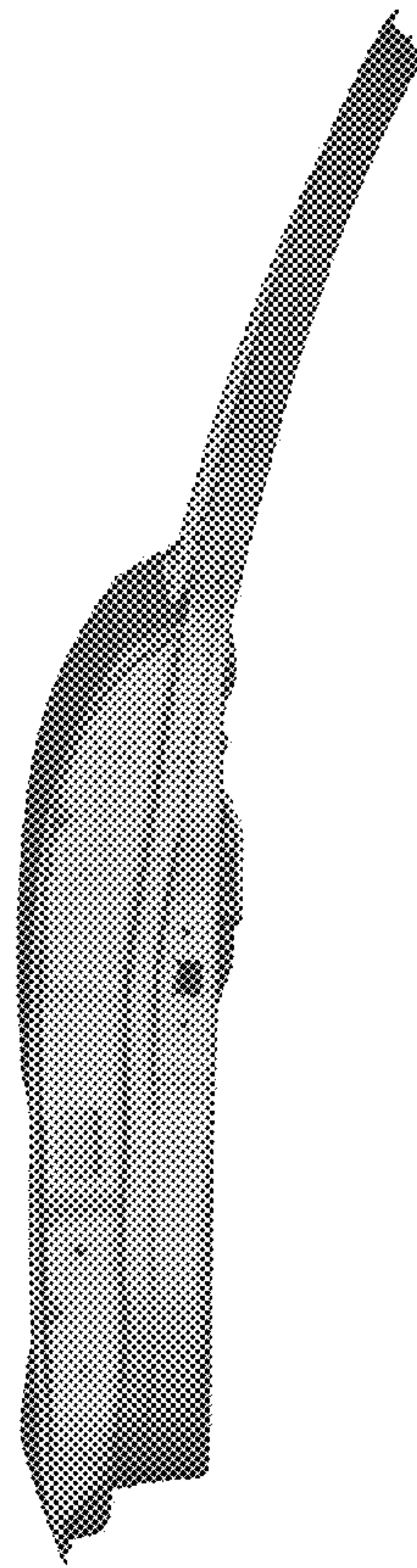


**1.4**

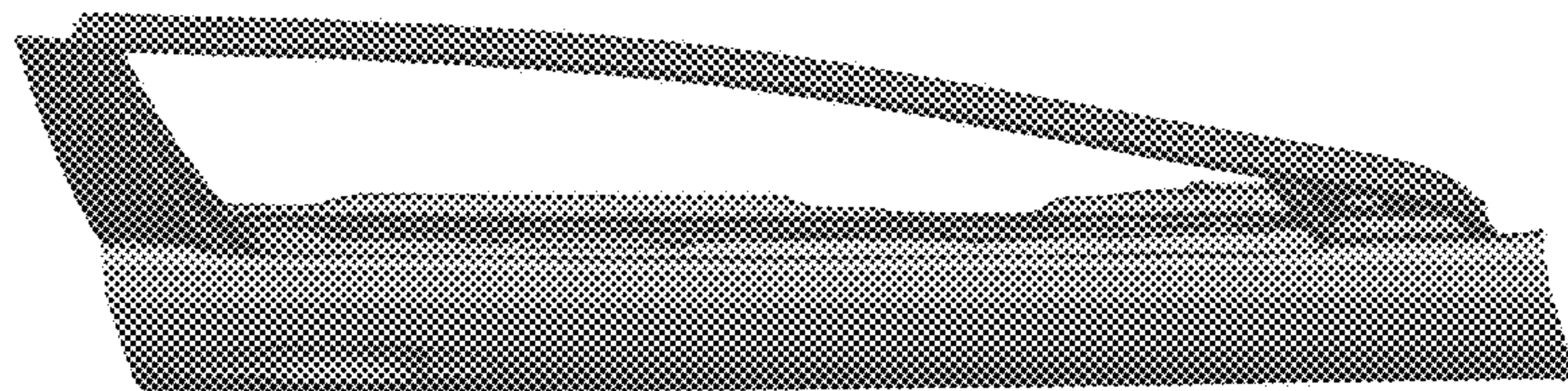




1.5



**1.6**





**1.7**

