



US00D832758S

(12) **United States Design Patent**  
**Takagi et al.**

(10) **Patent No.:** **US D832,758 S**  
(45) **Date of Patent:** **\*\* Nov. 6, 2018**

(54) **DOOR CHANNEL**

FOREIGN PATENT DOCUMENTS

- (71) Applicant: **SHIROKI CORPORATION**,  
Fujisawa-shi (JP)
- (72) Inventors: **Kazuyuki Takagi**, Fujisawa (JP); **Atsuo Noda**, Fujisawa (JP)
- (73) Assignee: **SHIROKI CORPORATION**,  
Fujisawa-Shi, Kanagawa (JP)

JP 2002321530 A \* 11/2002

\* cited by examiner

*Primary Examiner* — Ruth McInroy

(74) *Attorney, Agent, or Firm* — McGinn I.P. Law Group, PLLC

(\*\*) Term: **15 Years**

(57) **CLAIM**

The ornamental design for a door channel, as shown and described.

(21) Appl. No.: **29/584,656**

(22) Filed: **Nov. 16, 2016**

**DESCRIPTION**

(51) **LOC (11) Cl.** ..... **12-16**

(52) **U.S. Cl.**

USPC ..... **D12/196**

(58) **Field of Classification Search**

USPC ..... D12/163–165, 167, 169, 172, 181–184,  
D12/196, 400, 202, 190–191, 315,  
D12/317–318; 49/502, 440; 196/146.2

CPC .. B62D 33/0273; B62D 25/087; B62D 25/16;  
B62D 25/02; B62D 35/007; B62D

35/001; B60J 5/101; B60J 5/10; B60J

5/107; B60J 5/0402; B60J 5/0405; B60J

5/0455; B60J 5/0466; B60J 10/02; B60J

1/04; B60J 1/02

See application file for complete search history.

FIG. 1 is a front, left and bottom perspective view of a door channel showing our new design;

FIG. 2 is a front view thereof;

FIG. 3 is a rear view thereof;

FIG. 4 is a left side view thereof;

FIG. 5 is a right side view thereof;

FIG. 6 is a top plan view thereof;

FIG. 7 is a bottom view thereof;

FIG. 8 is a perspective view thereof shown in an alternate position;

FIG. 9 is a front, right and bottom perspective view of a second embodiment;

FIG. 10 is a front view of FIG. 9;

FIG. 11 is a rear view of FIG. 9;

FIG. 12 is a left side view of FIG. 9;

FIG. 13 is a right side view of FIG. 9;

FIG. 14 is a top plan view of FIG. 9;

FIG. 15 is a bottom plan view of FIG. 9; and,

FIG. 16 is a perspective view of FIG. 9 shown in an alternate position.

The broken lines shown represent unclaimed subject matter of the door channel and form no part of the claimed design.

The dash-dot lines represent the boundary between the claimed design and unclaimed design.

(56) **References Cited**

U.S. PATENT DOCUMENTS

5,718,084 A \* 2/1998 Takamiya ..... B60J 10/24

49/440

6,226,926 B1 \* 5/2001 Aritake ..... B60J 10/27

296/146.9

8,151,520 B2 \* 4/2012 Yamashita ..... B60J 10/21

296/146.2

8,458,959 B2 \* 6/2013 Ohtake ..... B60J 5/0402

49/479.1

9,649,921 B2 \* 5/2017 Bessho ..... B60J 5/0402

**1 Claim, 14 Drawing Sheets**

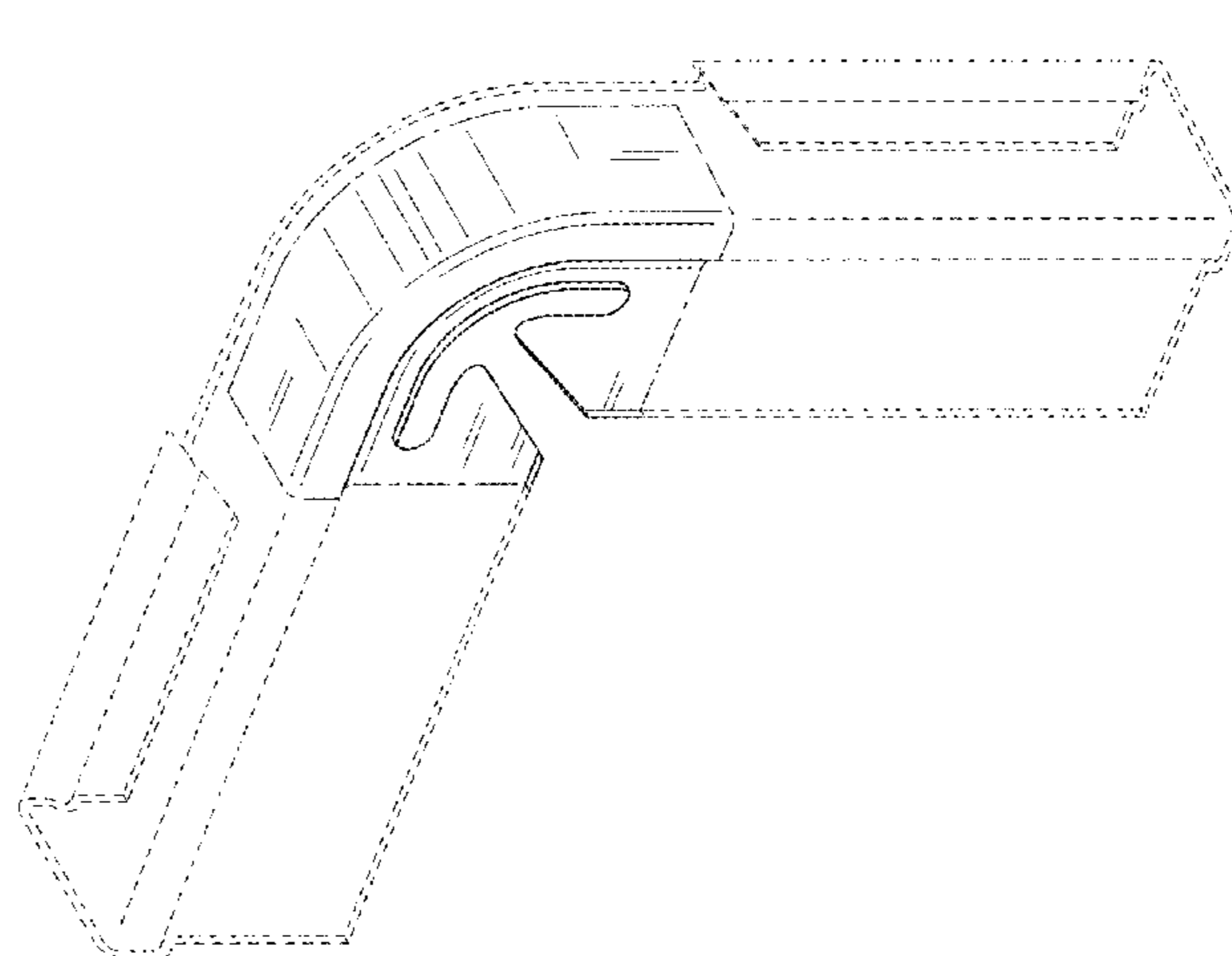
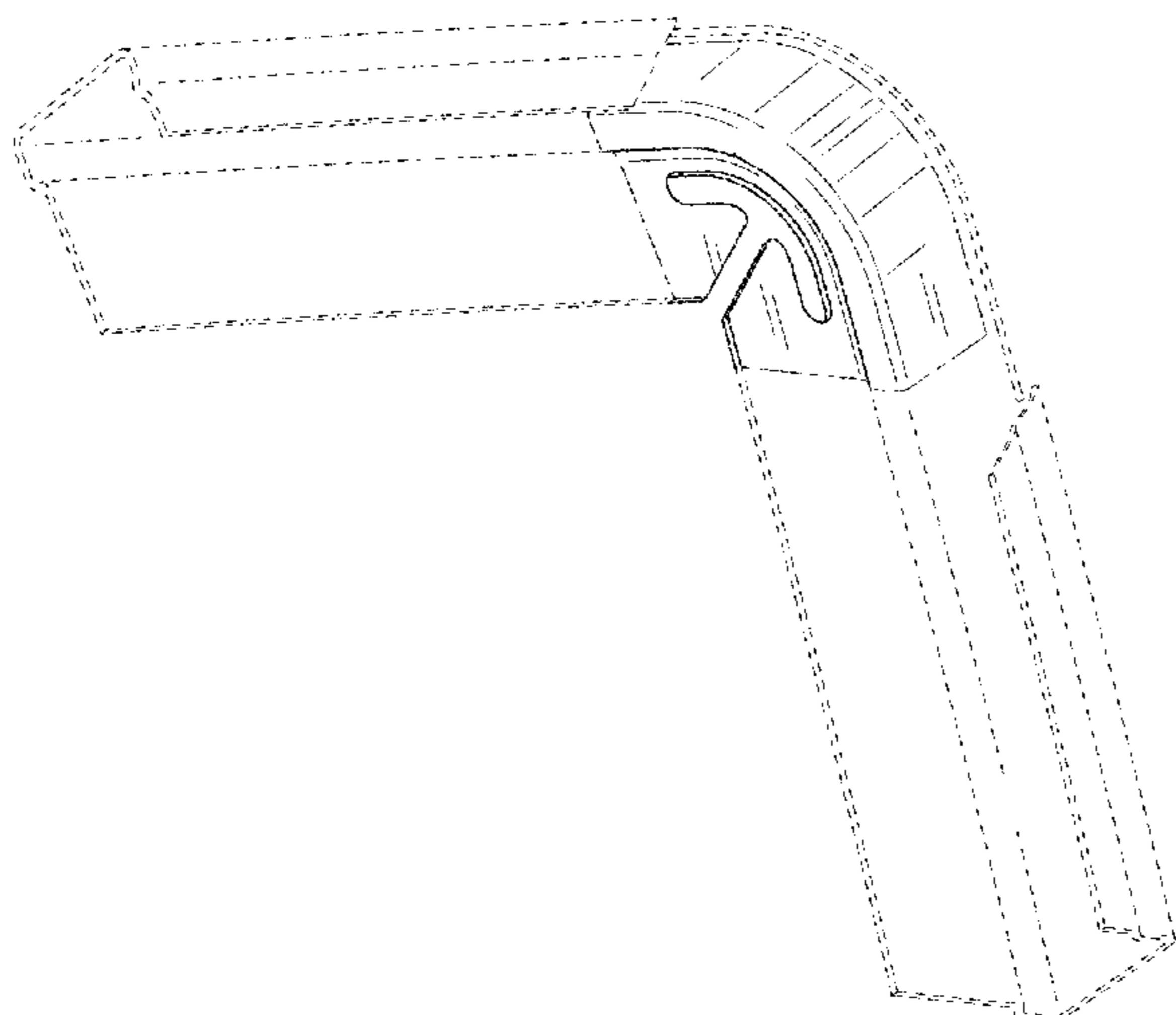


FIG. 1

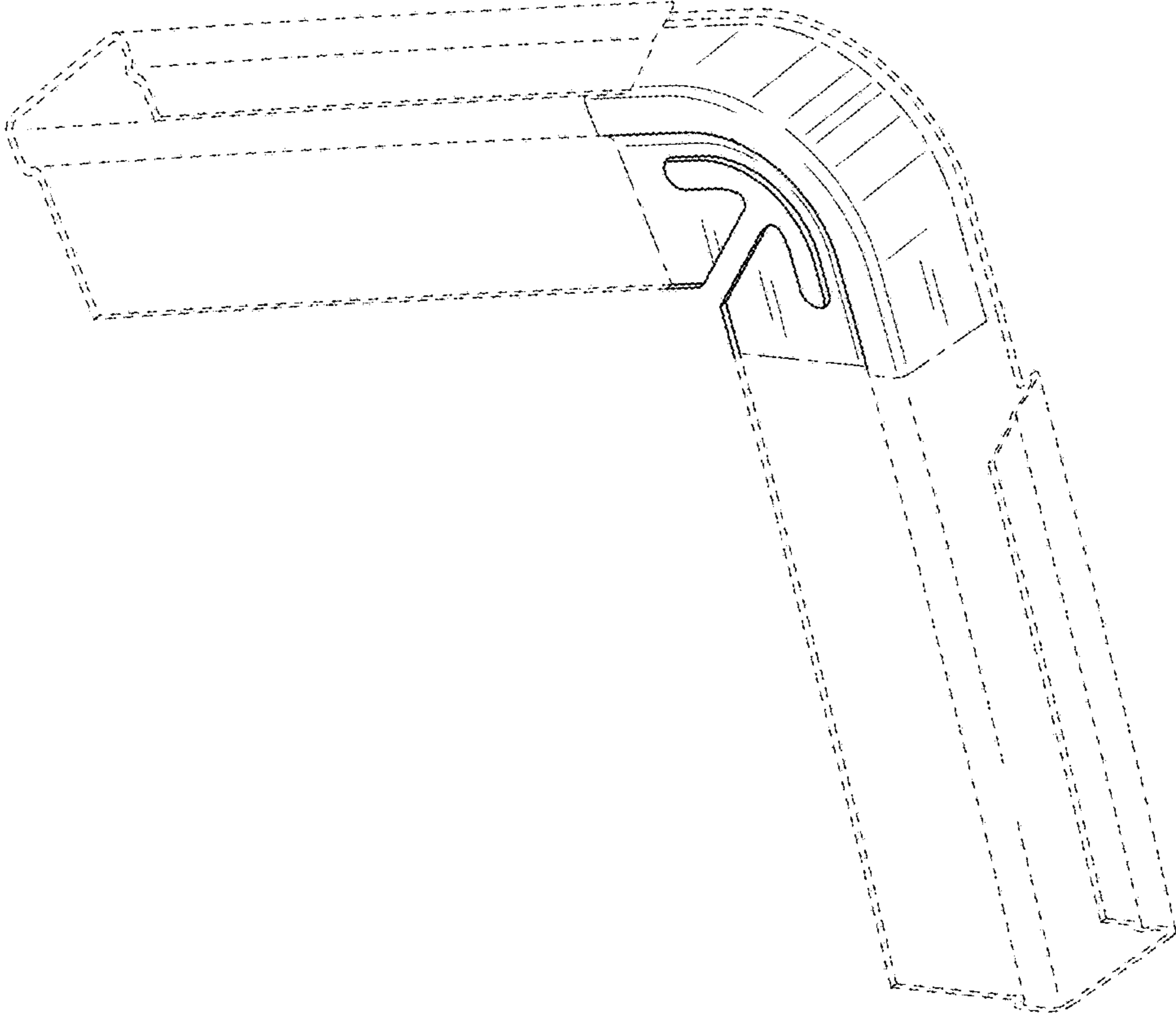


FIG. 2

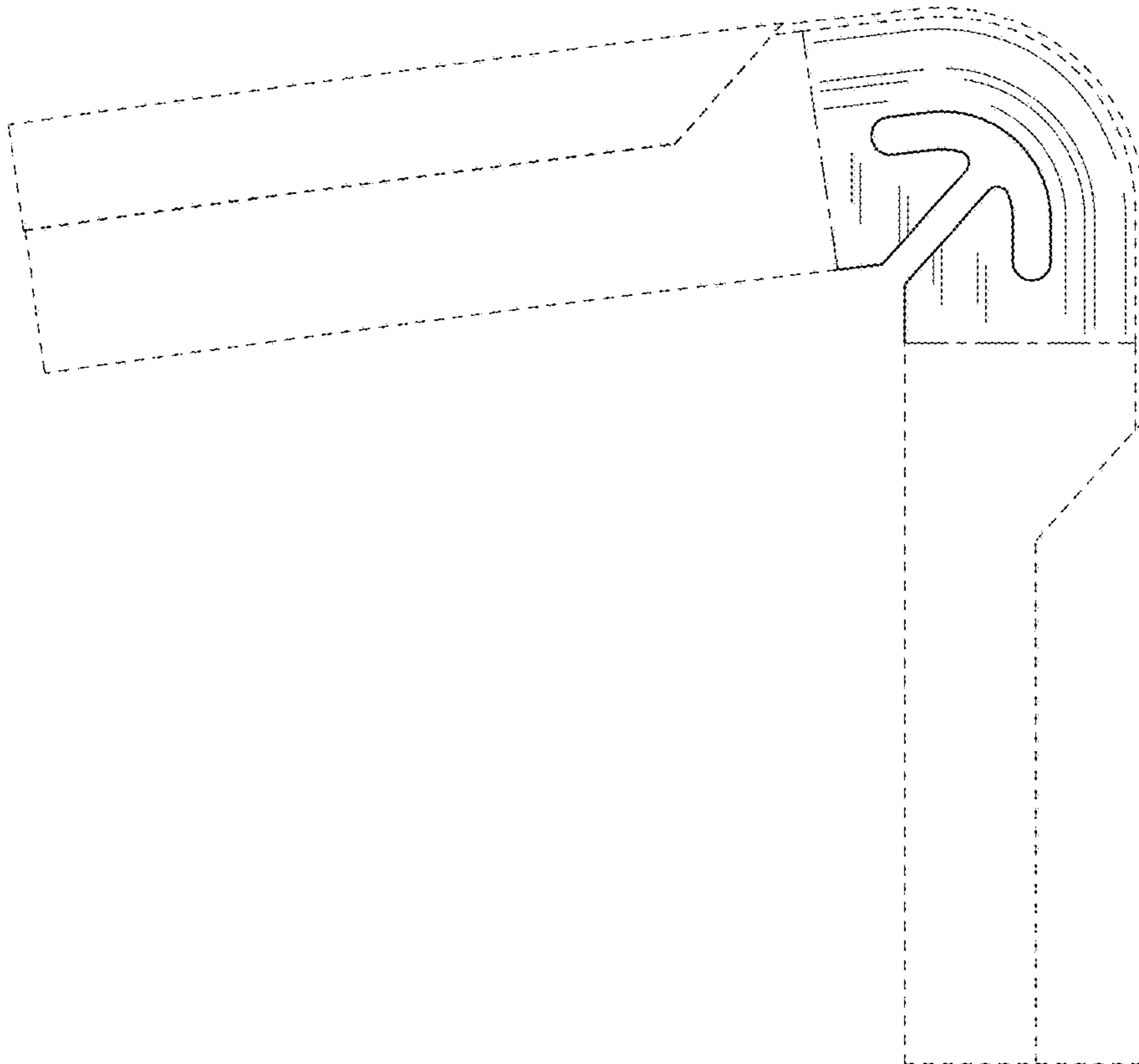


FIG. 3

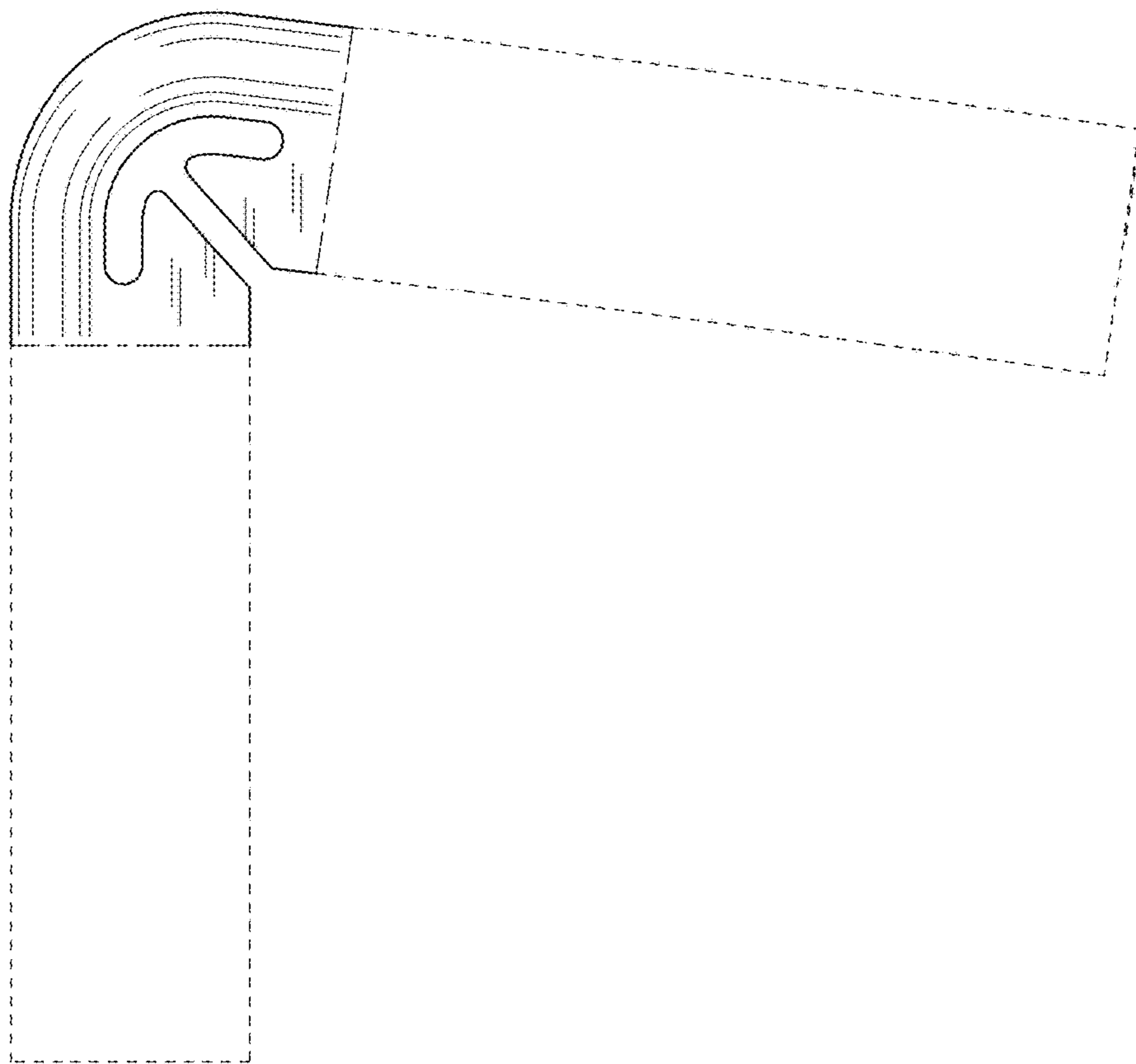


FIG. 4

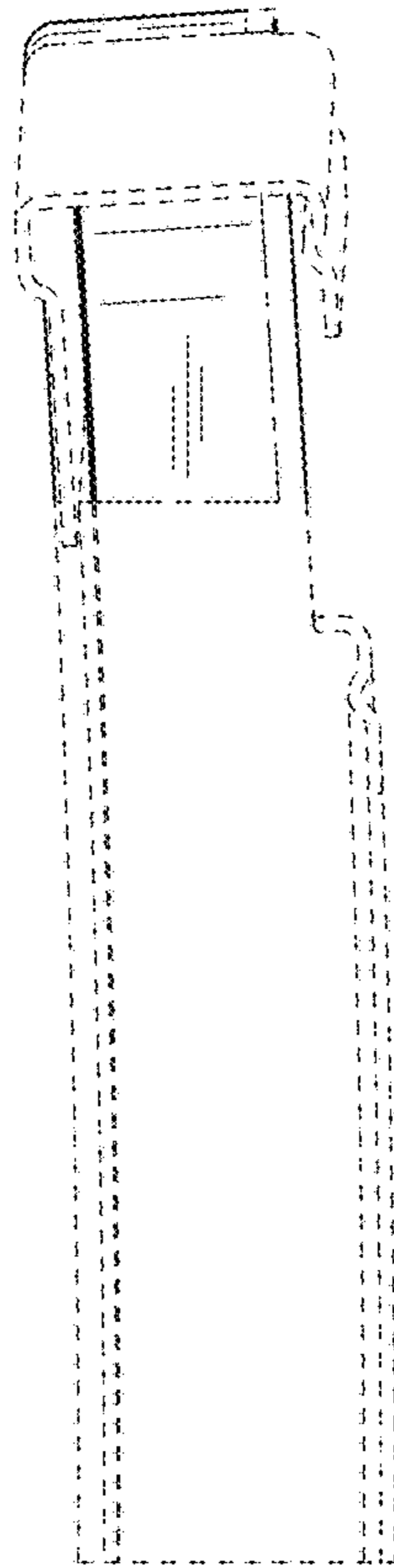


FIG. 5

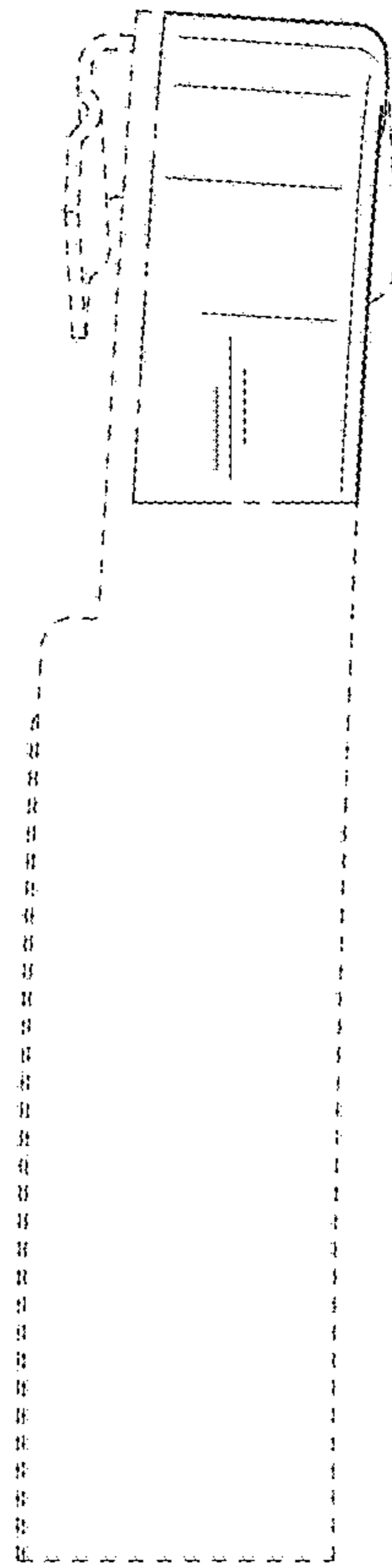


FIG. 6

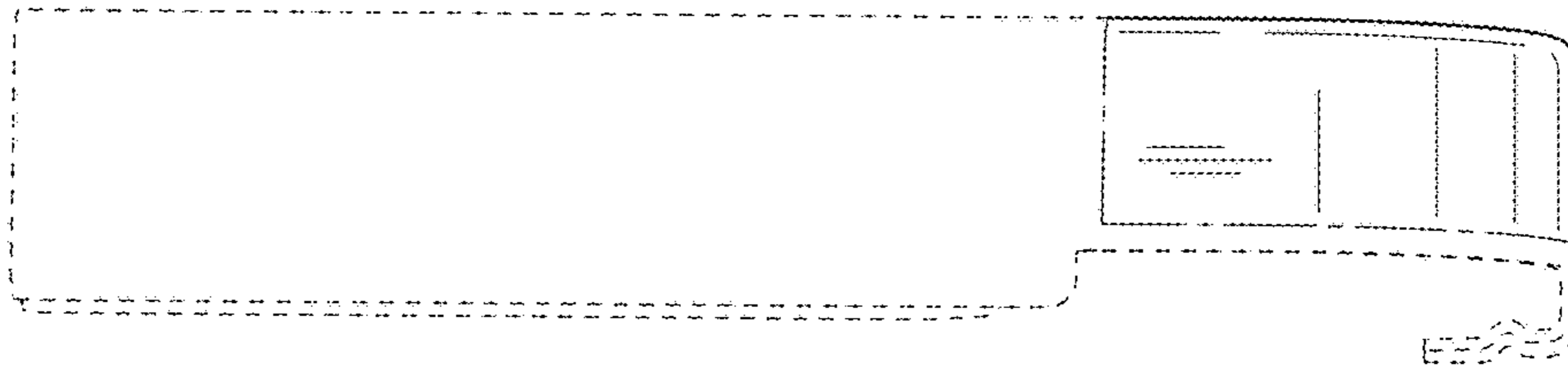


FIG. 7

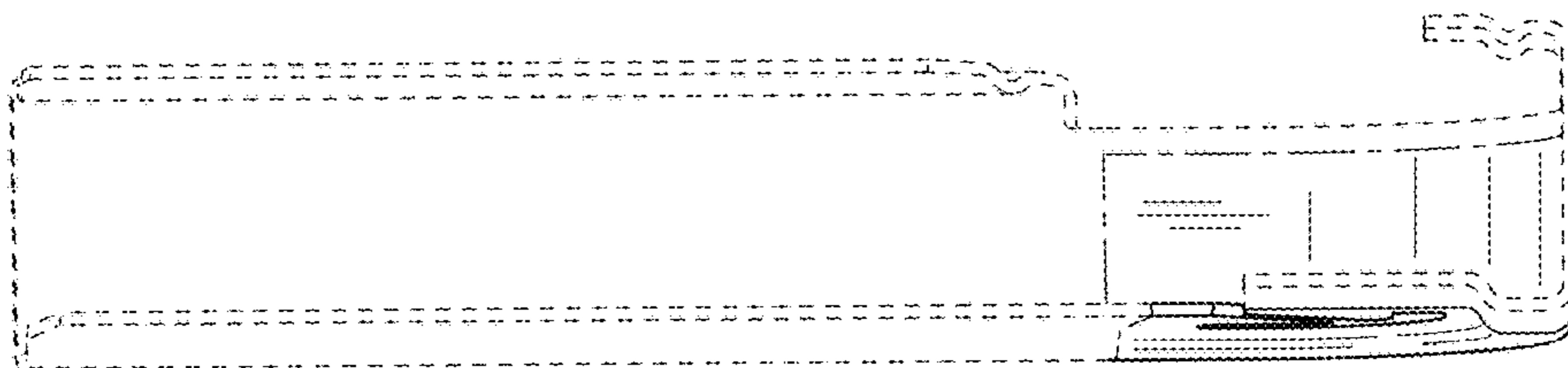


FIG. 8

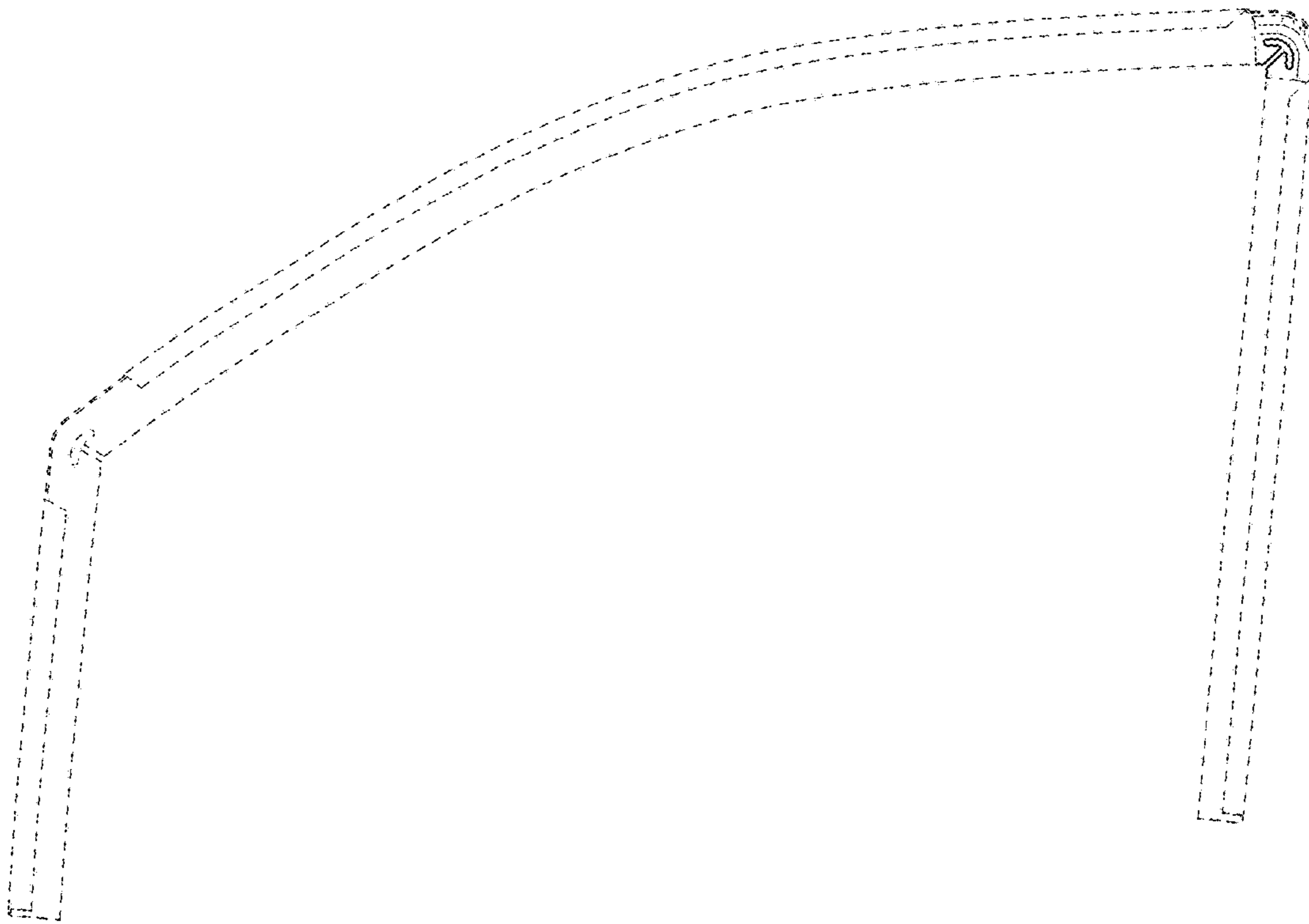




FIG. 9

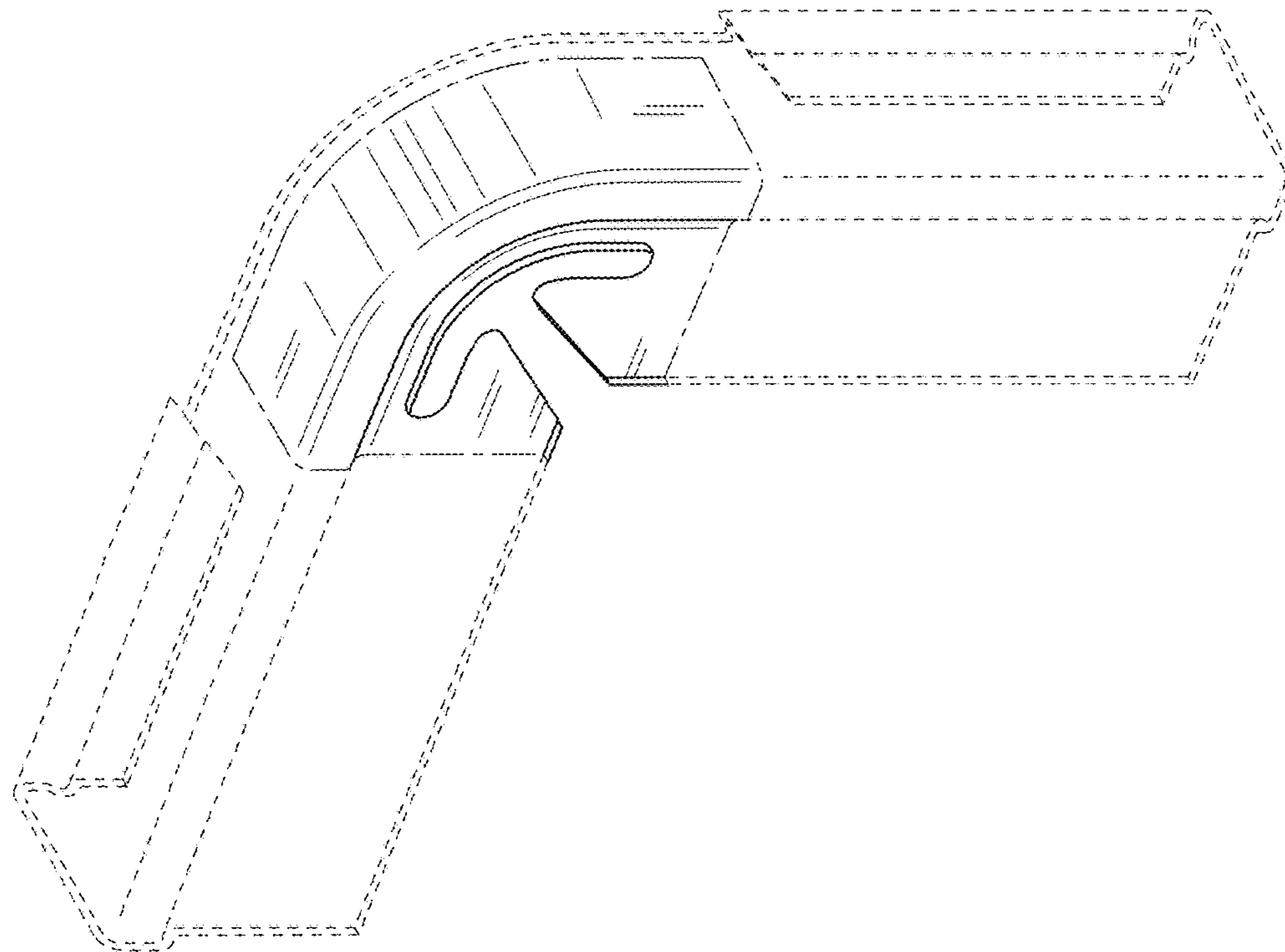


FIG. 10

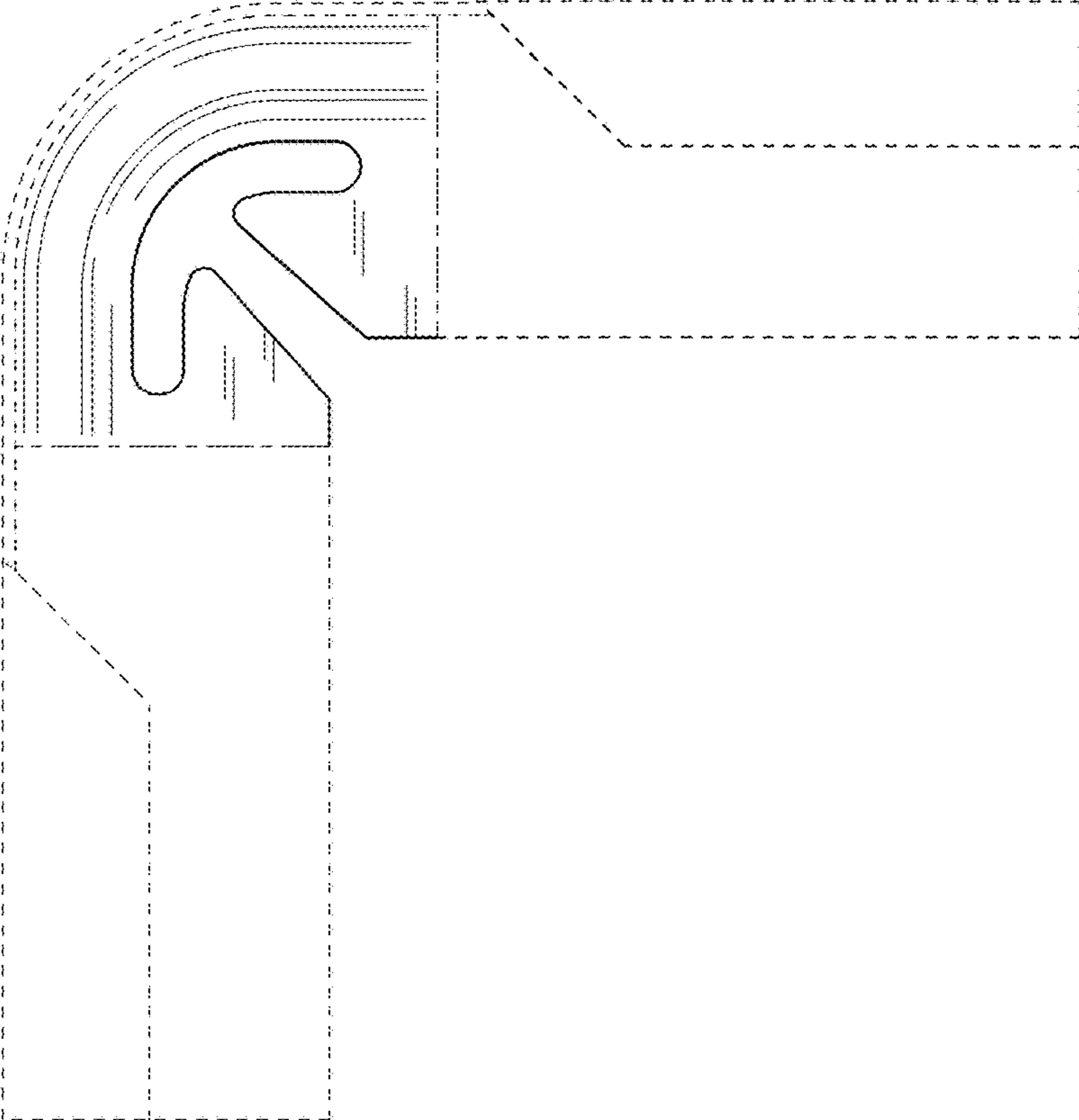


FIG. 11

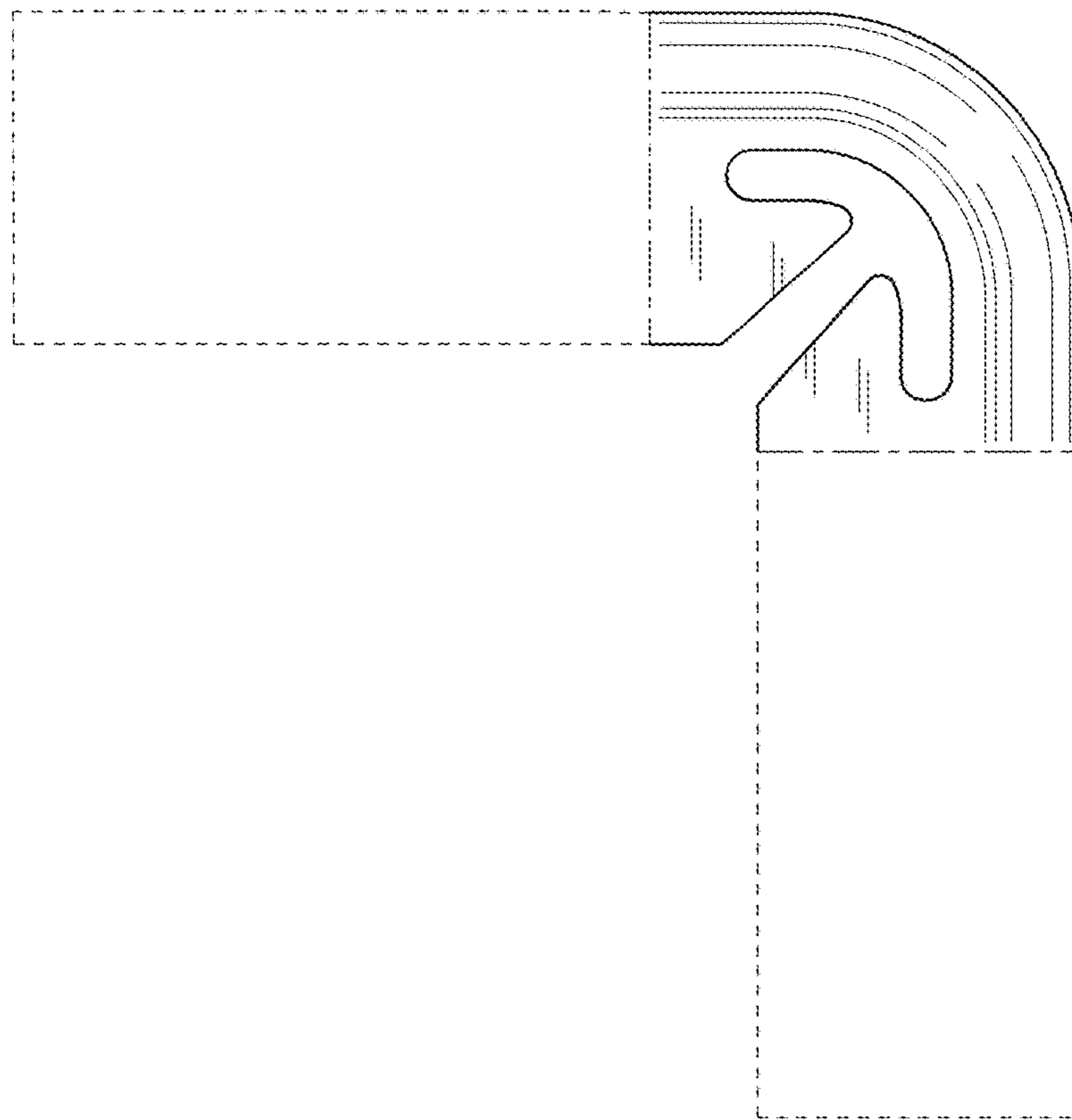


FIG. 12

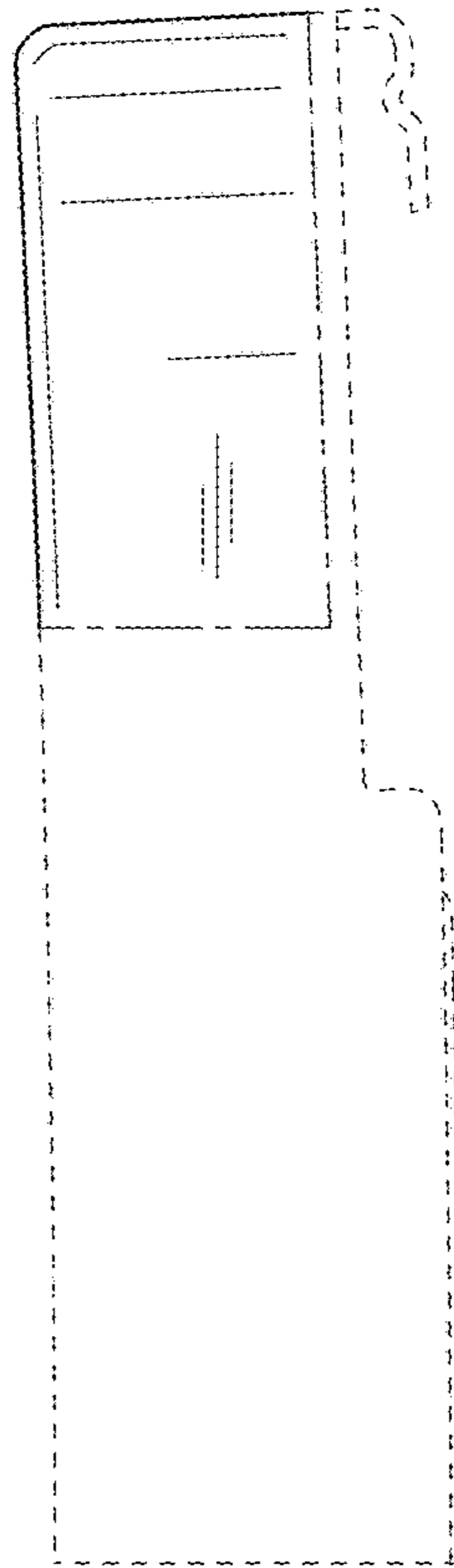


FIG. 13

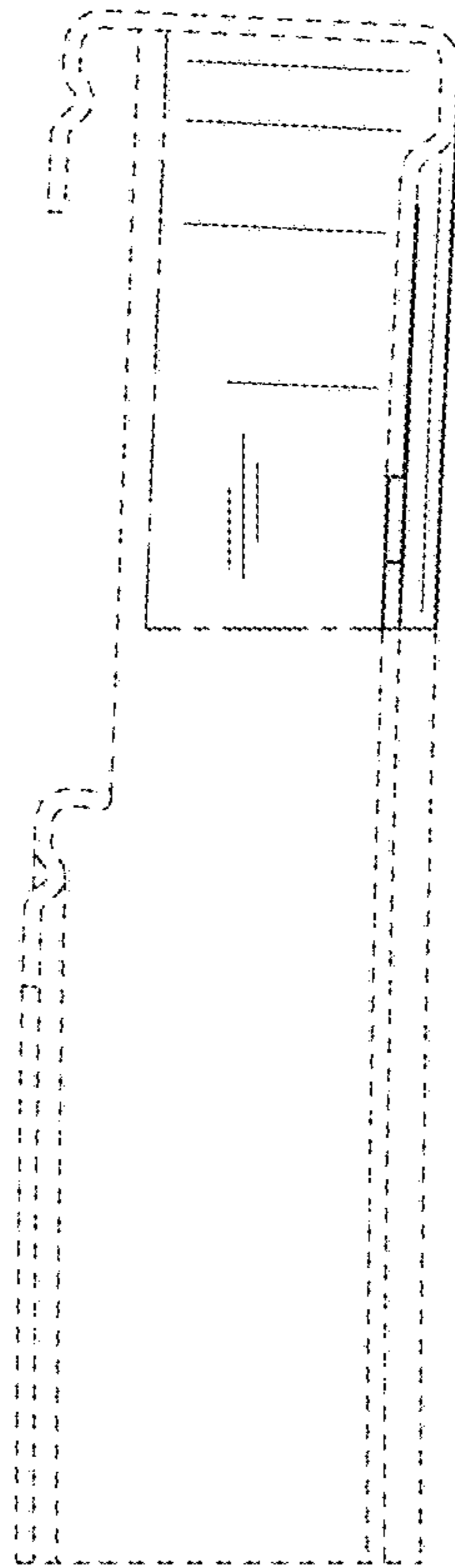


FIG. 14

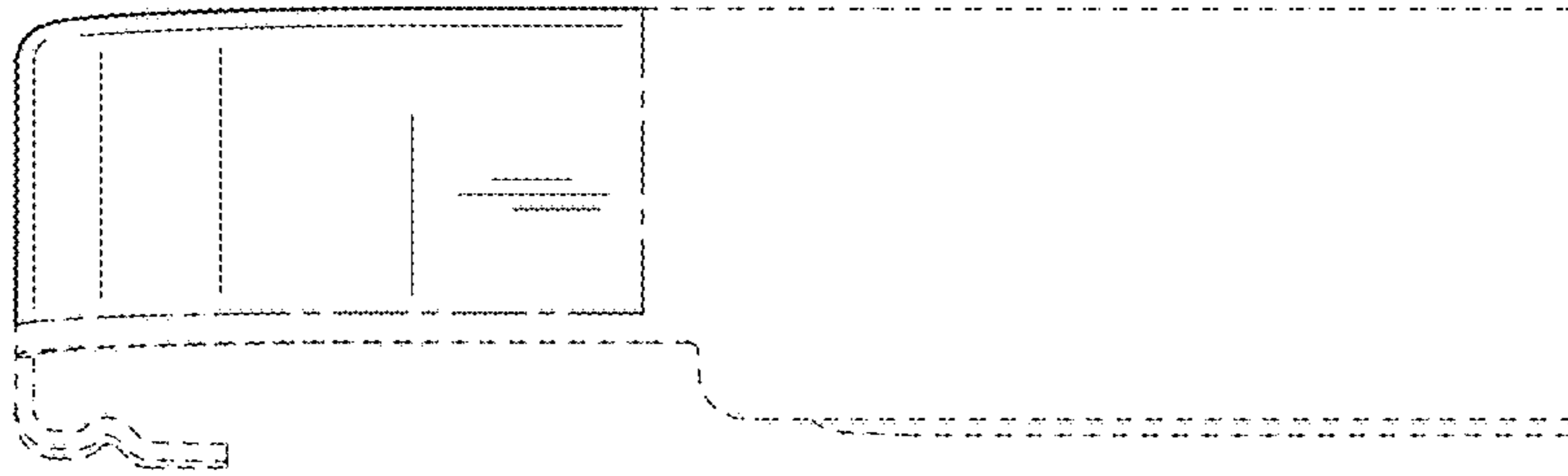


FIG. 15

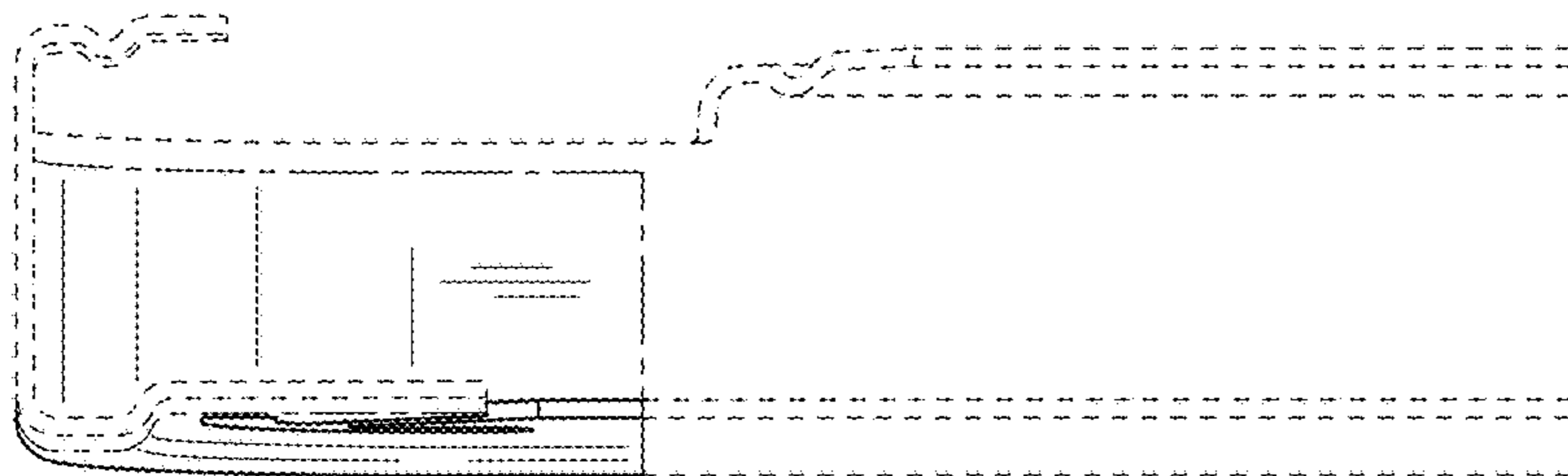


FIG. 16

