

US00D832756S

(12) **United States Design Patent**  
**Akrapovic et al.**

(10) **Patent No.:** **US D832,756 S**

(45) **Date of Patent:** **\*\* Nov. 6, 2018**

(54) **EXHAUST PIPE**

(71) Applicant: **Igor Akrapovic**, Ljubljana (SI)

(72) Inventors: **Igor Akrapovic**, Ljubljana (SI); **Cveto Zupancic**, Visnja Gora (SI); **Joze Pirnar**, Sentjerne (SI); **Tadej Zadel**, Pivka (SI); **Urban Potocnik**, Lesce (SI); **Jan Preseren**, Koper (SI)

(\*\*) Term: **15 Years**

(21) Appl. No.: **35/503,536**

(22) Filed: **Aug. 2, 2017**

(80) **Hague Agreement Data**

Int. Filing Date: **Aug. 2, 2017**  
Int. Reg. No.: **DM/097229**  
Int. Reg. Date: **Aug. 2, 2017**  
Int. Reg. Pub. Date: **Aug. 18, 2017**

(30) **Foreign Application Priority Data**

Apr. 19, 2017 (EM) ..... 003863182

(51) **LOC (11) Cl.** ..... **12-16**

(52) **U.S. Cl.**  
USPC ..... **D12/194**

(58) **Field of Classification Search**  
USPC ..... D12/194; D23/205, 209, 323, 330  
CPC ... F01N 1/00; F01N 1/003; F01N 1/02; F01N 1/04; F01N 1/10  
See application file for complete search history.

(56) **References Cited**

**U.S. PATENT DOCUMENTS**

1,953,120 A \* 4/1934 Miller ..... F01N 3/08  
239/402.5  
5,227,593 A \* 7/1993 Takahashi ..... F01N 1/02  
181/255

D458,570 S \* 6/2002 Wang ..... D12/194  
D465,181 S \* 11/2002 Wang ..... D12/194  
D490,036 S \* 5/2004 Cho ..... D12/194  
D495,642 S \* 9/2004 Luttig ..... D12/194  
D496,313 S \* 9/2004 Suzuki ..... D12/194  
D575,213 S \* 8/2008 Kryssing, Sr. .... F01N 3/08  
D12/194  
7,878,300 B2 \* 2/2011 Sammut ..... F01N 1/006  
181/238  
8,220,442 B2 \* 7/2012 Caldwell ..... F02M 35/10222  
123/568.12  
D802,507 S \* 11/2017 Ochoa ..... F01N 1/02  
D12/194

\* cited by examiner

*Primary Examiner* — George D. Kirschbaum  
*Assistant Examiner* — Joseph J. Kukella  
(74) *Attorney, Agent, or Firm* — Olson & Cepuritis, Ltd.;  
William P. Oberhardt; Anita M. Cepuritis

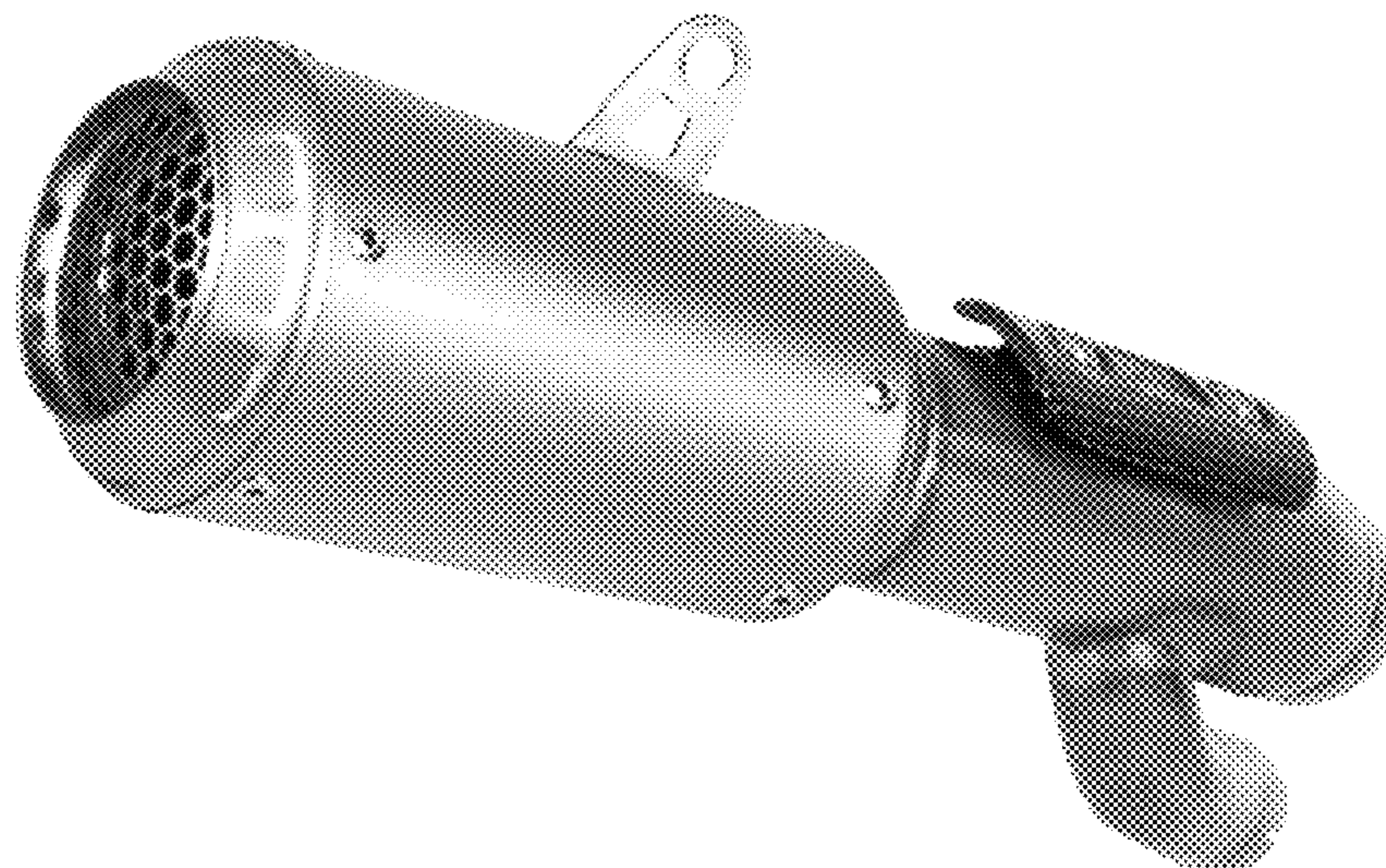
(57) **CLAIM**

The ornamental design for an exhaust pipe, as shown and described.

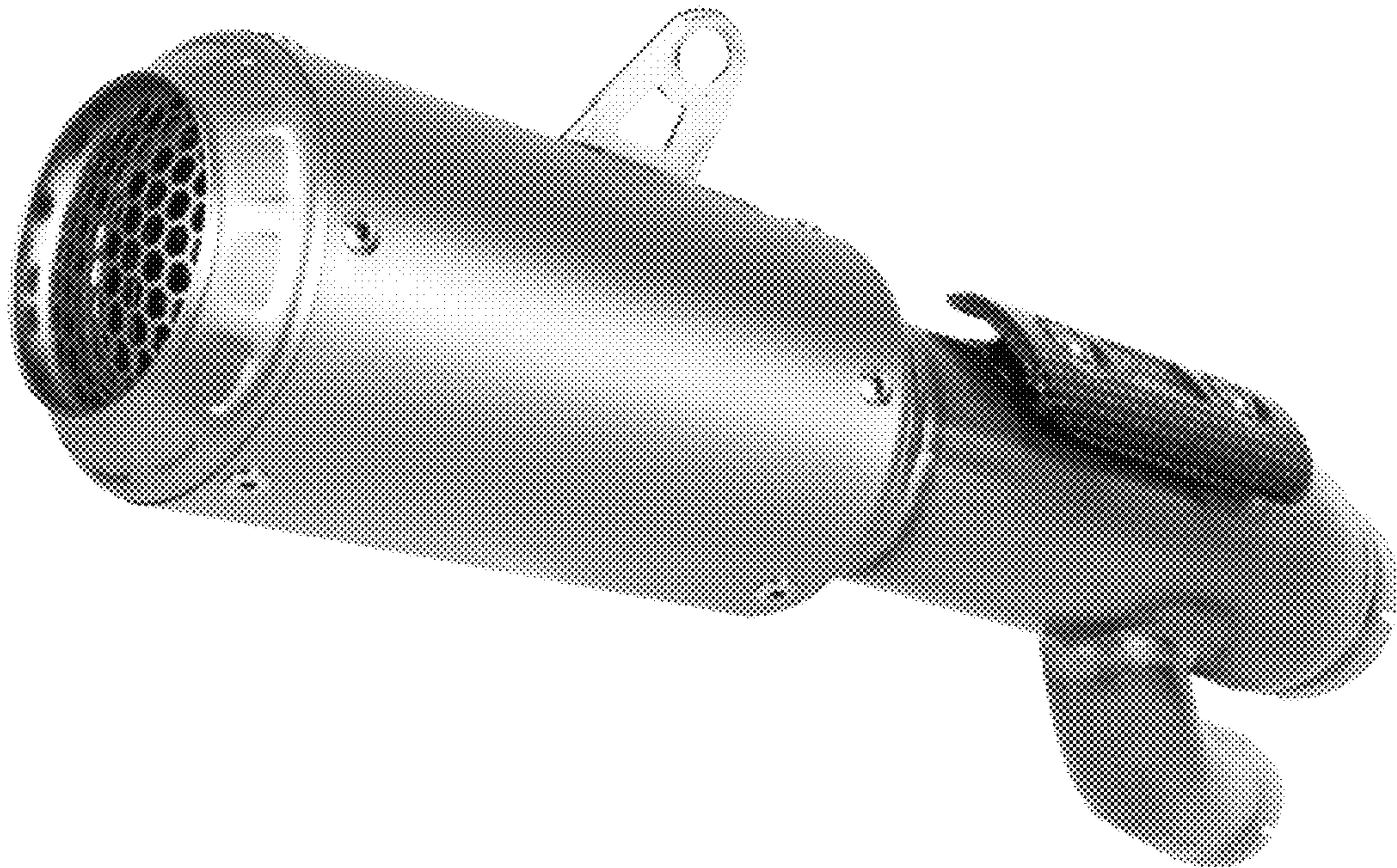
**DESCRIPTION**

- 1. Exhaust pipe
- 1.1 : Perspective
- 1.2 : Right
- 1.3 : Left
- 1.4 : Front
- 1.5 : Back
- 1.6 : Top
- 1.7 : Bottom
- 1.8 : Perspective
- 1.9 : Perspective

**1 Claim, 9 Drawing Sheets**

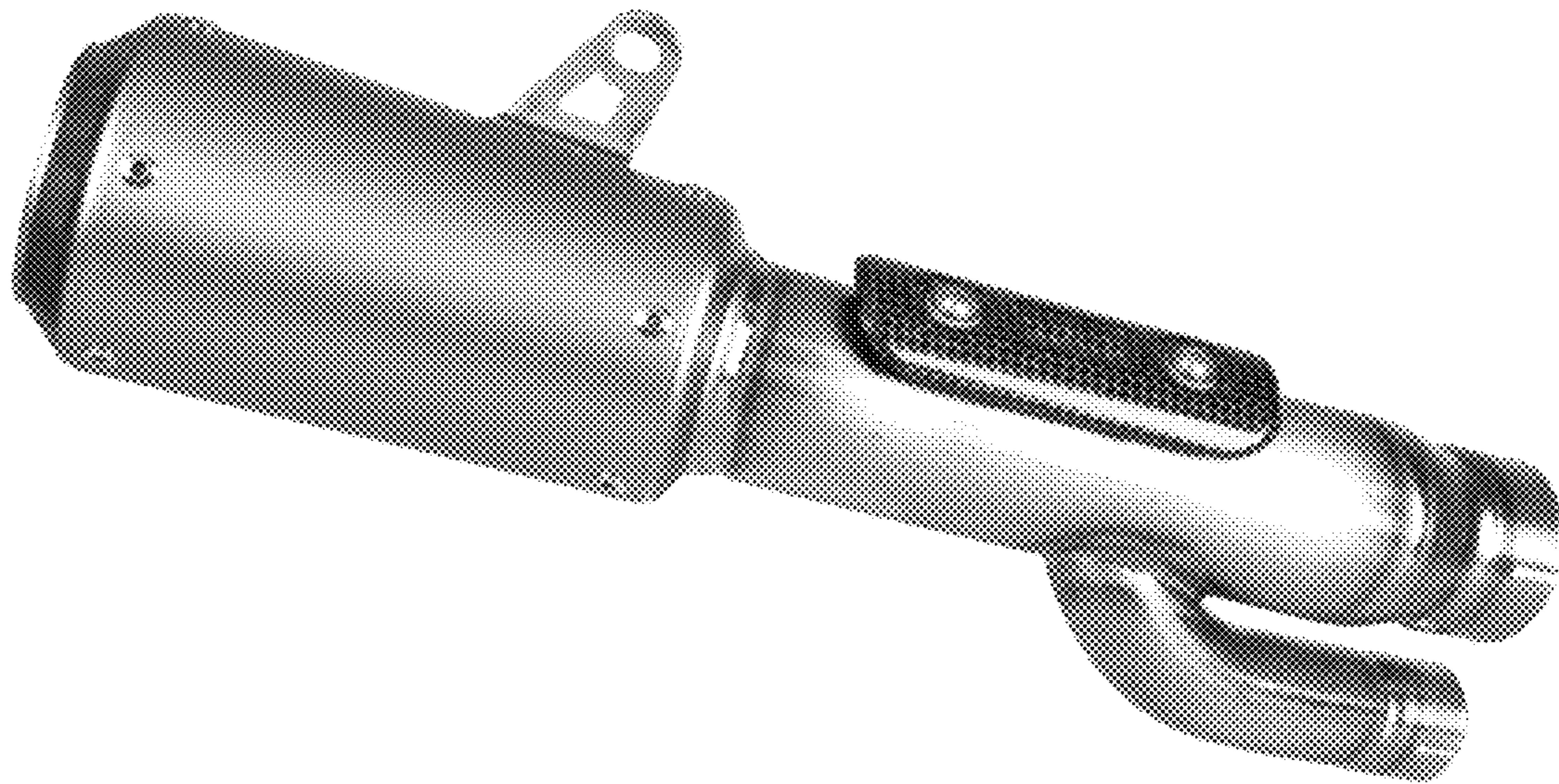


1.1

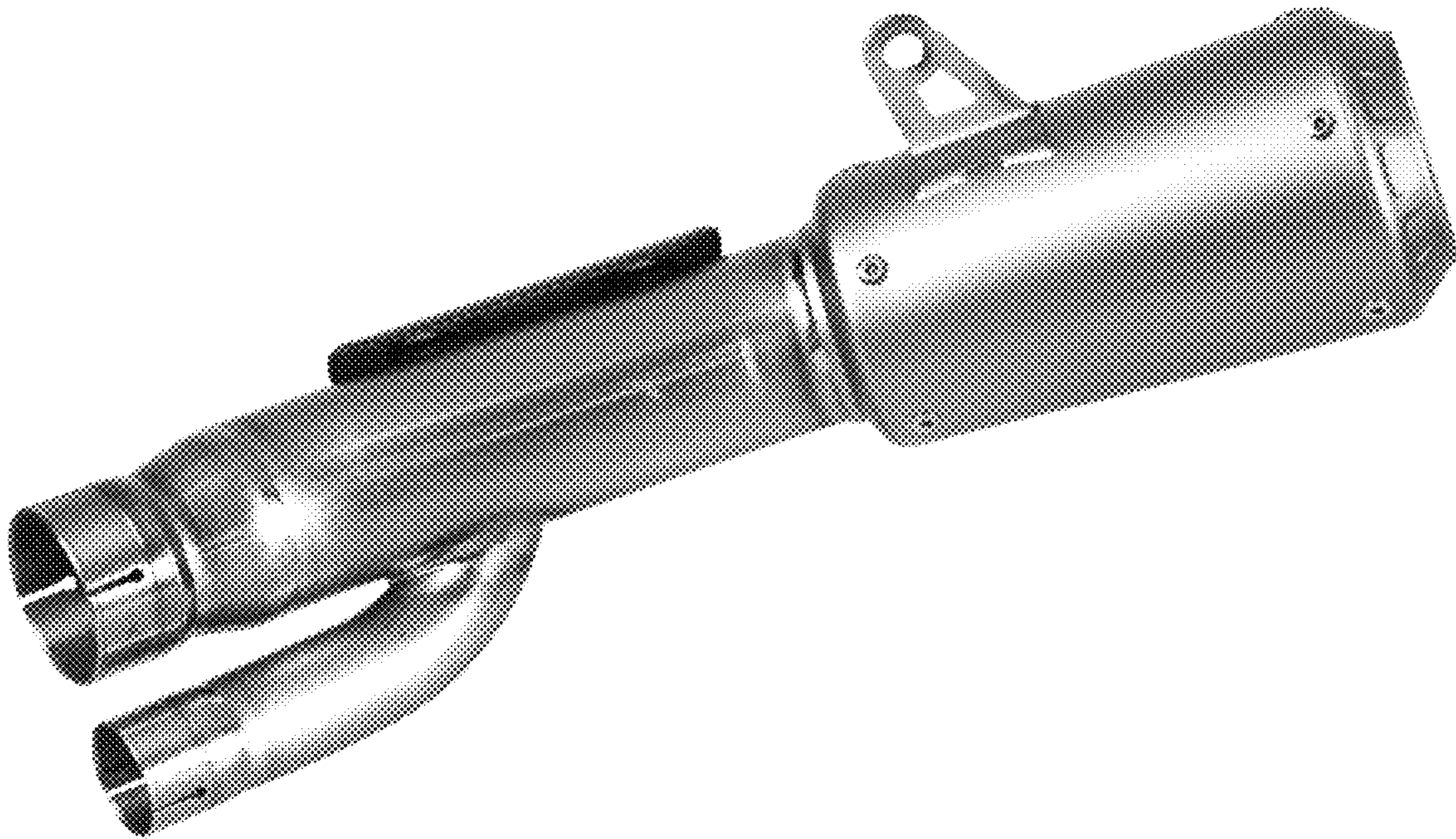




1.2



1.3





1.4

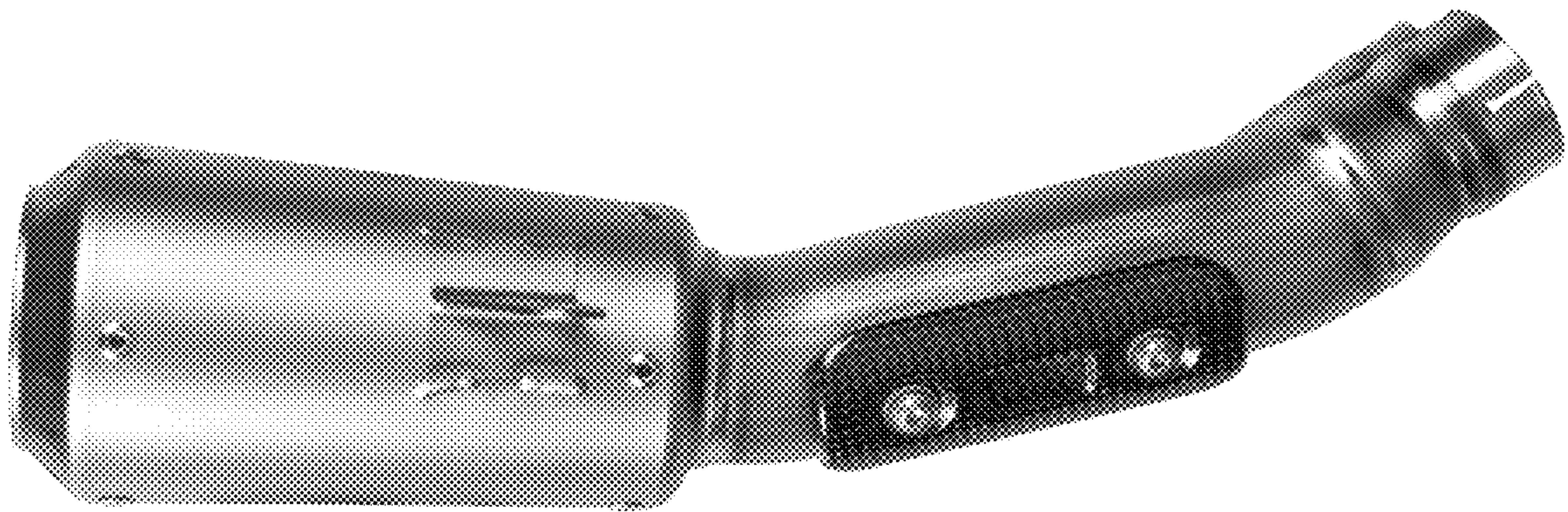


1.5

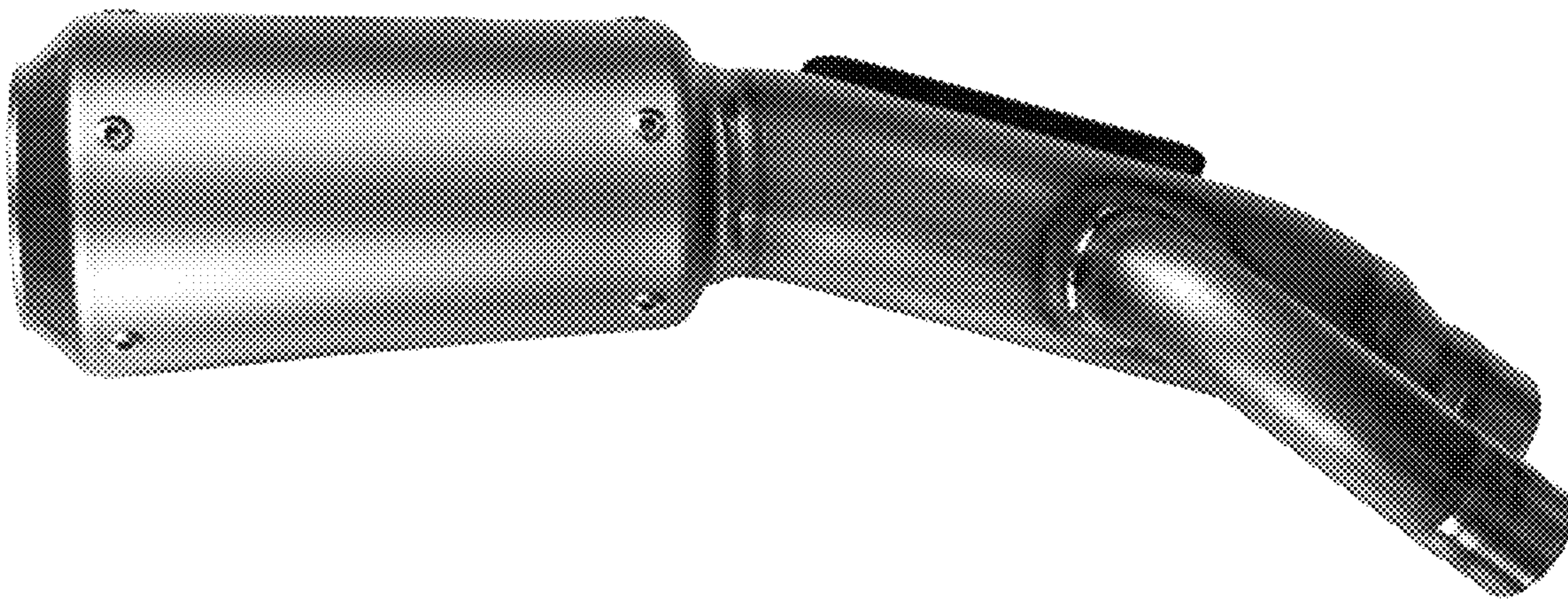




1.6



1.7





1.8



1.9

