



US00D832754S

(12) **United States Design Patent** (10) **Patent No.:** **US D832,754 S**
Ryu et al. (45) **Date of Patent:** **** Nov. 6, 2018**

(54) **DISPLAY SCREEN FOR VEHICLE INSTRUMENT CLUSTER**

2350/206; B60K 35/00; B60K 37/04;
B60K 37/06

See application file for complete search history.

(71) Applicant: **LG ELECTRONICS INC.**, Seoul (KR)

(56) **References Cited**

U.S. PATENT DOCUMENTS

(72) Inventors: **Daihyung Ryu**, Seoul (KR); **Sangmin Park**, Seoul (KR); **Seungmo Kang**, Seoul (KR)

D563,300 S * 3/2008 Nishimura D12/192
D622,195 S * 8/2010 Lester D12/192
D679,707 S * 4/2013 Aarrestad D14/373
D697,862 S * 1/2014 Nemeth D12/345
D704,611 S * 5/2014 Tilscher D12/192
D732,448 S * 6/2015 Yagisawa D12/192
D755,745 S * 5/2016 Williams D14/126
D771,041 S * 11/2016 Bae D14/374
D771,628 S * 11/2016 Bae D14/374
D776,590 S * 1/2017 Womack, Sr. D12/192
D786,242 S * 5/2017 Ho D14/371

(73) Assignee: **LG ELECTRONICS INC.**, Seoul (KR)

(**) Term: **15 Years**

(Continued)

(21) Appl. No.: **35/503,749**

Primary Examiner — George D. Kirschbaum

Assistant Examiner — Joseph J Kukella

(22) Filed: **Apr. 5, 2017**

(74) *Attorney, Agent, or Firm* — Birch, Stewart, Kolasch & Birch, LLP

(80) **Hague Agreement Data**

Int. Filing Date: **Apr. 5, 2017**

Int. Reg. No.: **DM/097016**

Int. Reg. Date: **Apr. 5, 2017**

Int. Reg. Pub. Date: **Oct. 6, 2017**

(57) **CLAIM**

The ornamental design for a display screen for vehicle instrument cluster, as shown and described.

DESCRIPTION

(30) **Foreign Application Priority Data**

Oct. 6, 2016 (KR) 30-2016-0048017

(51) **LOC (11) Cl.** **12-16**

(52) **U.S. Cl.**
USPC **D12/192**

(58) **Field of Classification Search**

USPC D14/126, 127, 128, 129, 133, 373, 374,
D14/388, 389; D12/192

CPC B60R 2300/20; B60R 2300/205; B60R
2300/207; B60K 2350/2017; B60K

1. Display screen for vehicle instrument cluster

1.1 : Perspective

1.2 : Front

1.3 : Back

1.4 : Left

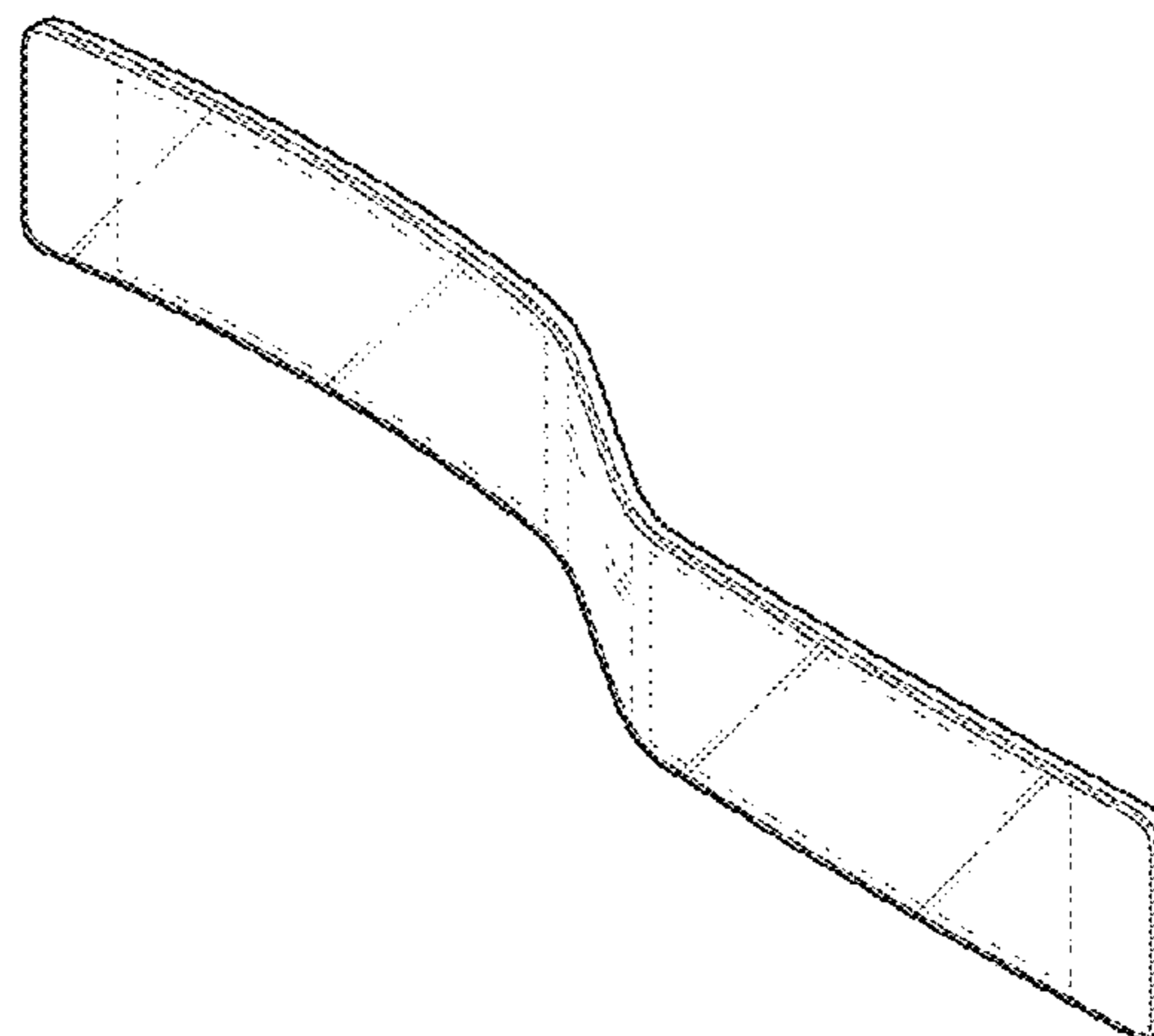
1.5 : Right

1.6 : Top

1.7 : Reference view

The broken lines depict the portions of the display screen for vehicle instrument cluster that form no part of the claimed design; reproduction 1.1 is a front perspective view of the display screen for vehicle instrument cluster; reproduction 1.2 is a front view thereof; reproduction 1.3 is a back view thereof; reproduction 1.4 is a left view thereof; reproduction

(Continued)



1.5 is a right view thereof; reproduction 1.6 is a top view thereof; in which the bottom view is a mirror image; reproduction 1.7 is a reference photo of the claimed design, which forms no part of the claimed design.

1 Claim, 7 Drawing Sheets

(56)

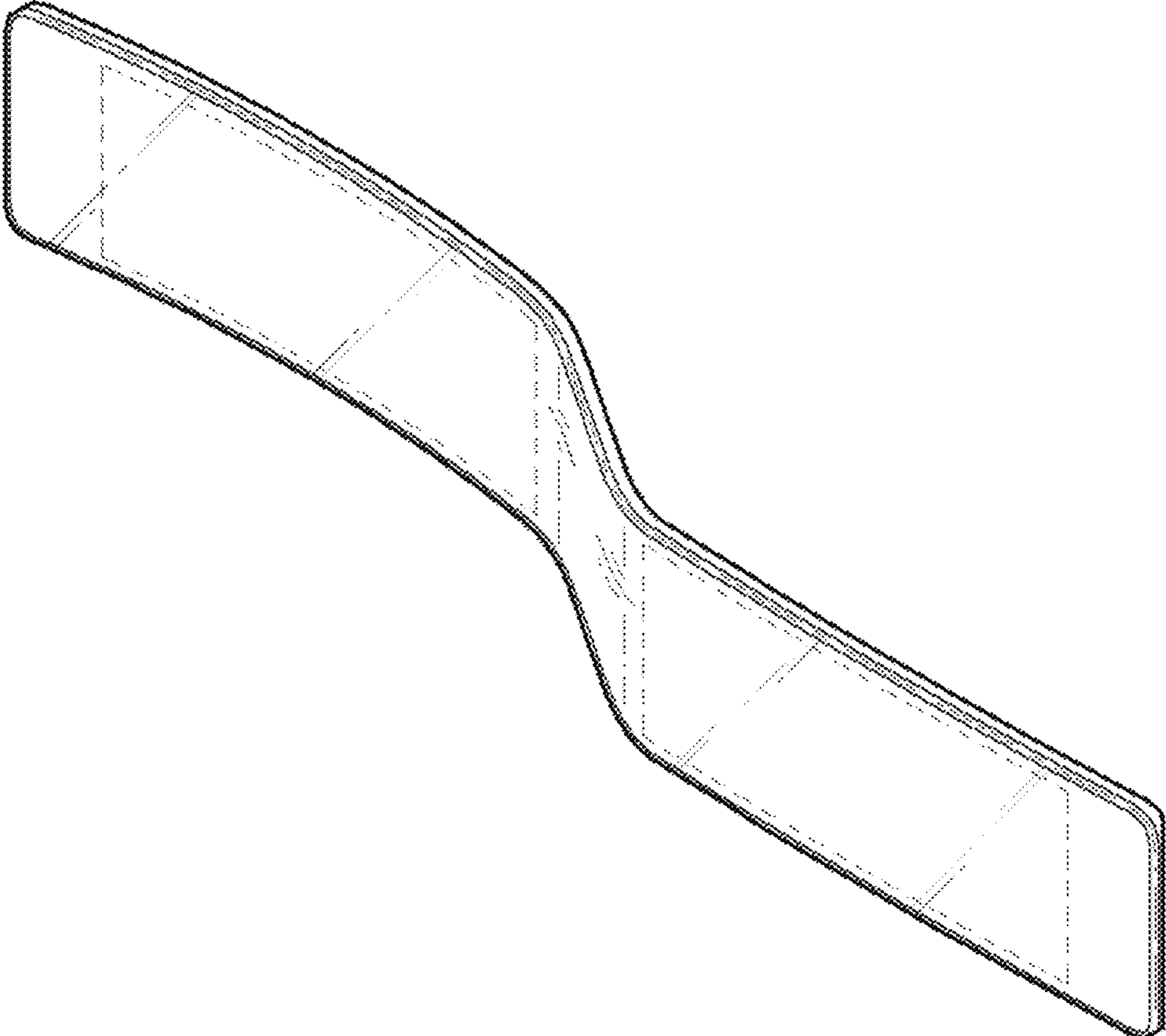
References Cited

U.S. PATENT DOCUMENTS

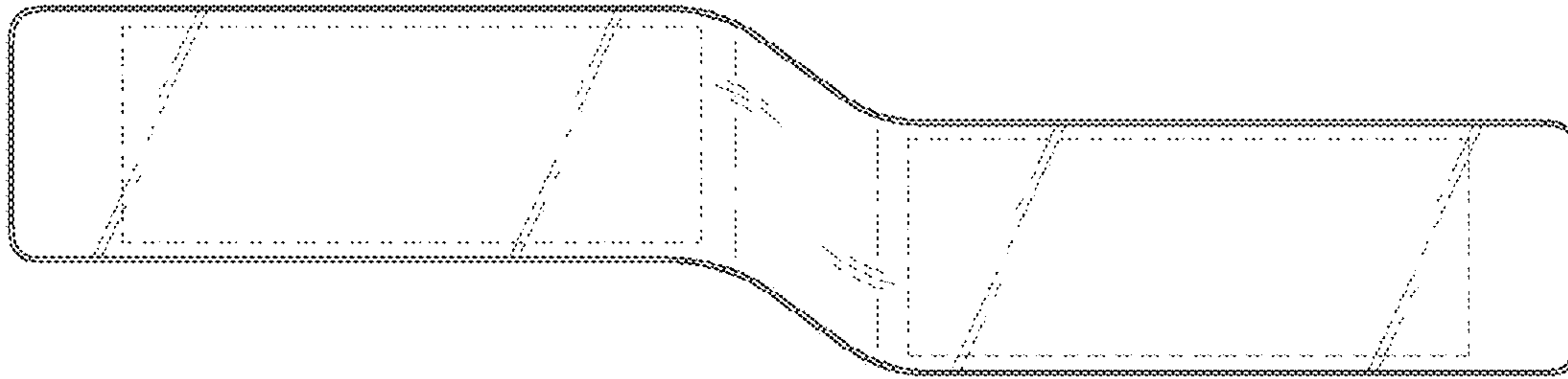
D793,314 S *	8/2017	Yoon	D12/192
D793,932 S *	8/2017	Yoon	D12/192
D797,022 S *	9/2017	Kumagai	D12/192
D802,504 S *	11/2017	Weng	D12/192
D813,128 S *	3/2018	Bischoff	D12/192
D817,956 S *	5/2018	Jung	D14/374
D818,468 S *	5/2018	Jung	D14/374

* cited by examiner

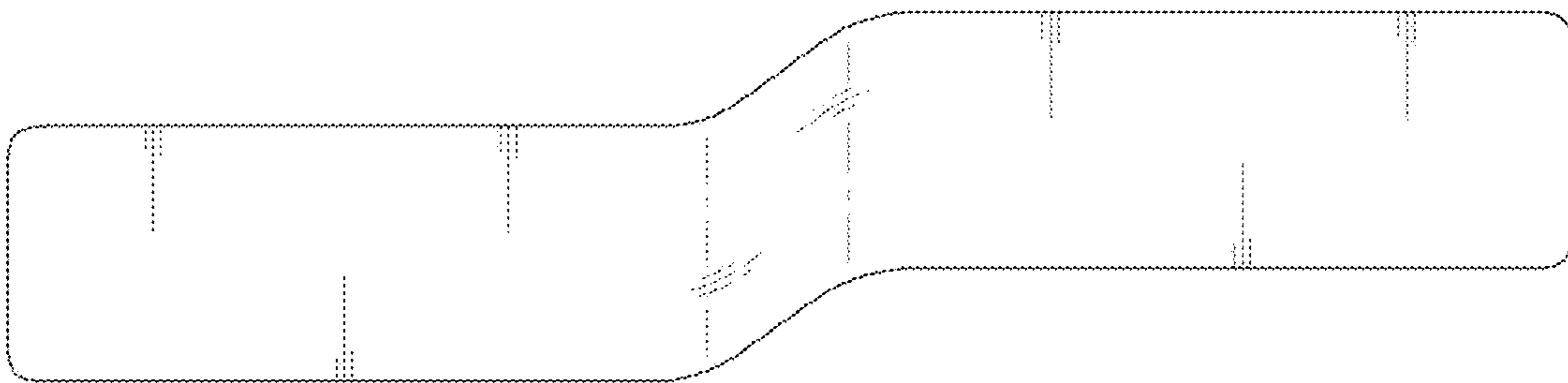
1.1



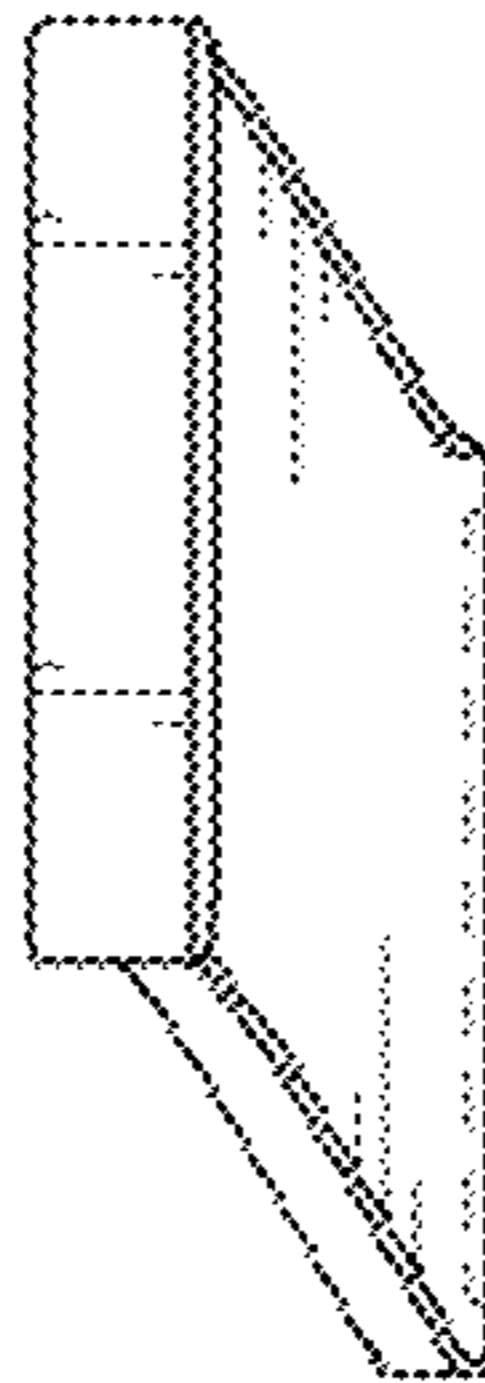
1.2



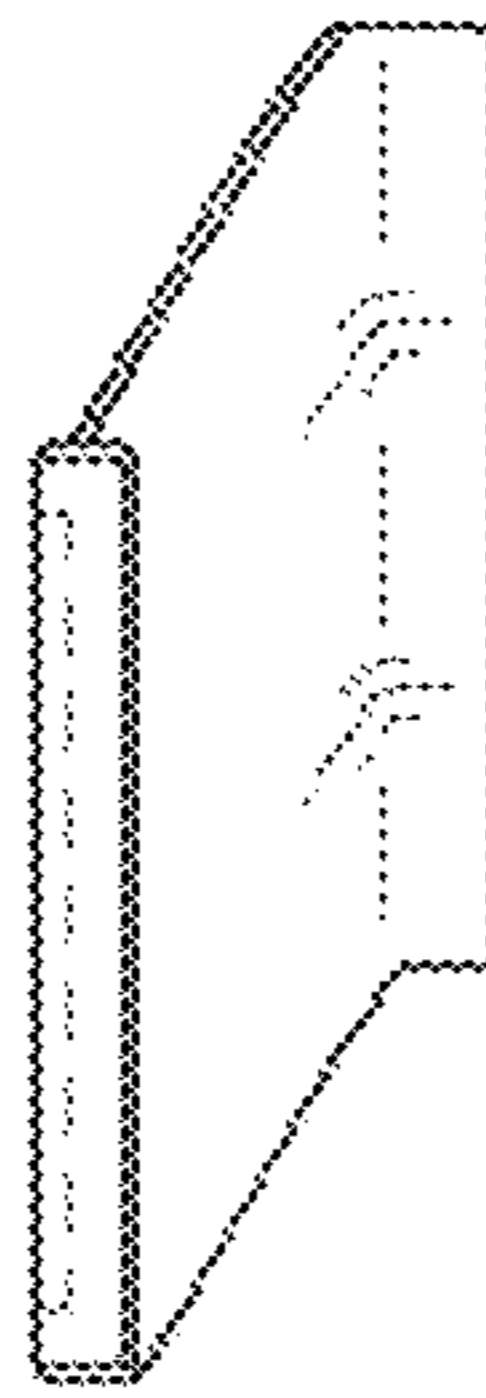
1.3



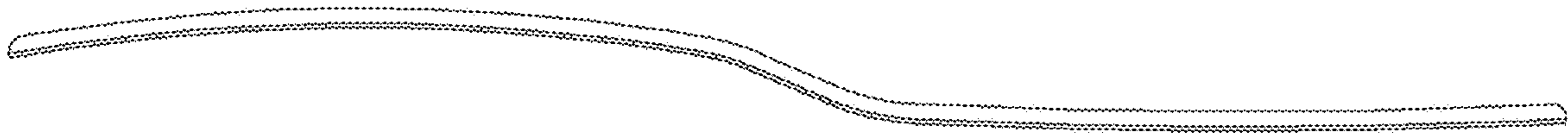
1.4



1.5



1.6



1.7

