



US00D832749S

(12) **United States Design Patent**
McCuskey

(10) **Patent No.:** **US D832,749 S**

(45) **Date of Patent:** **** Nov. 6, 2018**

(54) **DROP DOWN TRAILER HITCH**

(71) Applicant: **Scott McCuskey**, Boardman, OH (US)

(72) Inventor: **Scott McCuskey**, Boardman, OH (US)

(**) Term: **15 Years**

(21) Appl. No.: **29/619,333**

(22) Filed: **Sep. 28, 2017**

(51) **LOC (11) Cl.** **12-16**

(52) **U.S. Cl.**
USPC **D12/162**

(58) **Field of Classification Search**
USPC D12/159, 160, 161, 162, 400
CPC ... B60D 1/06; B60D 1/24; B60D 1/50; B60D
1/248

See application file for complete search history.

(56) **References Cited**

U.S. PATENT DOCUMENTS

D682,751 S *	5/2013	Borkholder	D12/162
D683,279 S *	5/2013	Borkholder	D12/162
D688,168 S *	8/2013	Buschman	D12/162
D697,838 S *	1/2014	Borkholder	D12/162
D727,803 S *	4/2015	Borkholder	D12/162
9,505,281 B1 *	11/2016	Borkholder	B60D 1/248
D773,345 S *	12/2016	Borkholder	D12/162
D794,515 S *	8/2017	McCuskey	D12/162
D795,756 S *	8/2017	McCuskey	D12/162
D797,008 S *	9/2017	Borkholder	D12/162

9,868,327 B1 *	1/2018	Borkholder	B60D 1/24
2003/0178811 A1 *	9/2003	Buckner	B60D 1/50 280/483
2010/0294819 A1 *	11/2010	Spera	B60R 9/06 224/519

* cited by examiner

Primary Examiner — Karen S Acker

Assistant Examiner — Jerry Shiuan-Hua Hsu

(74) *Attorney, Agent, or Firm* — Harpman & Harpman

(57) **CLAIM**

The ornamental design for a drop down trailer hitch as shown and described.

DESCRIPTION

FIG. 1 is a perspective front, right side and top view of a fixed drop down trailer hitch.

FIG. 2 is a right side elevational view thereof.

FIG. 3 is a left side elevational view thereof.

FIG. 4 is a front elevational view thereof.

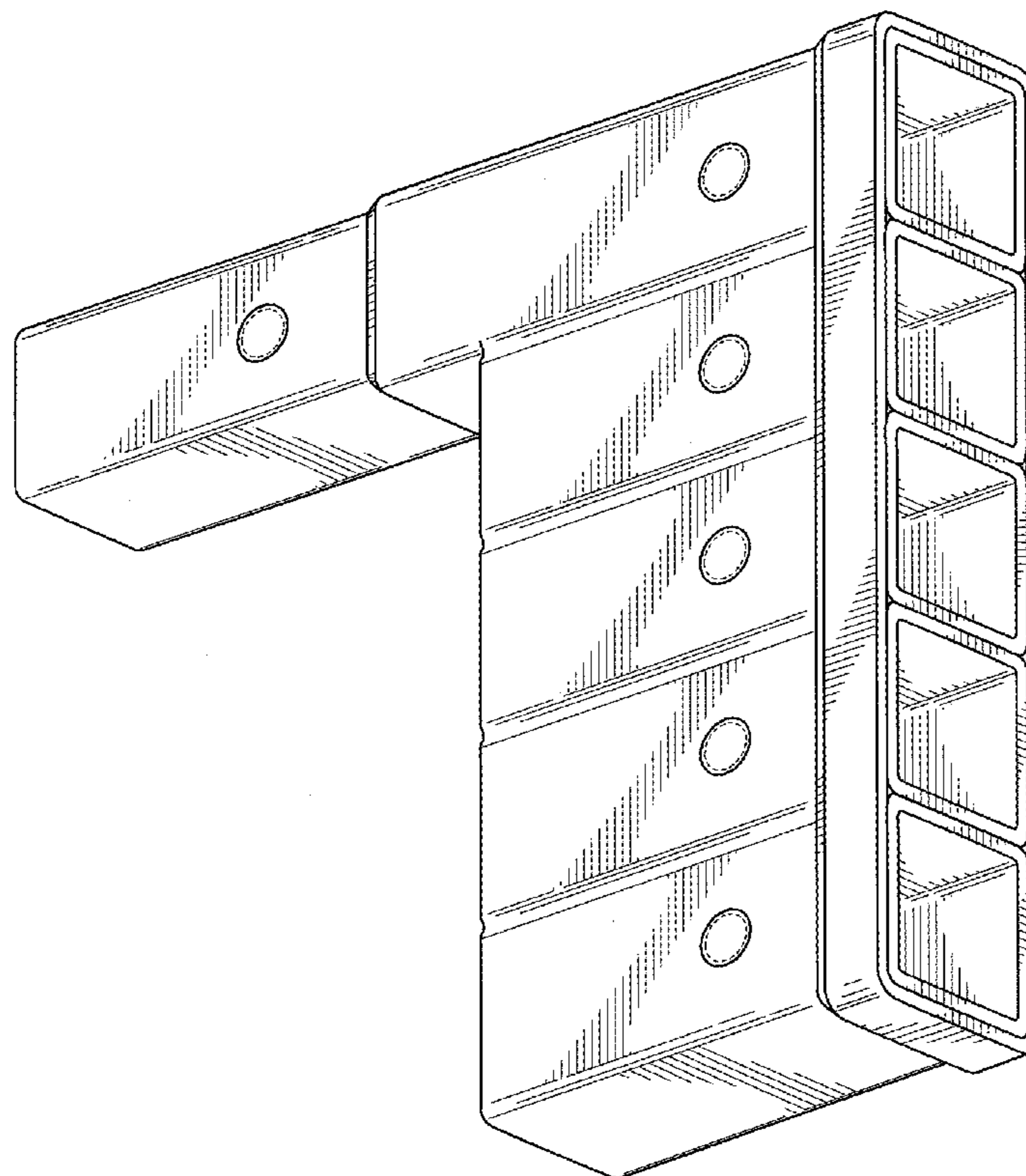
FIG. 5 is a rear elevational view thereof.

FIG. 6 is a bottom plan view thereof; and,

FIG. 7 is a top plan view thereof.

The broken lines illustrate portions of the drop down trailer hitch that form no part of the claimed design.

1 Claim, 5 Drawing Sheets



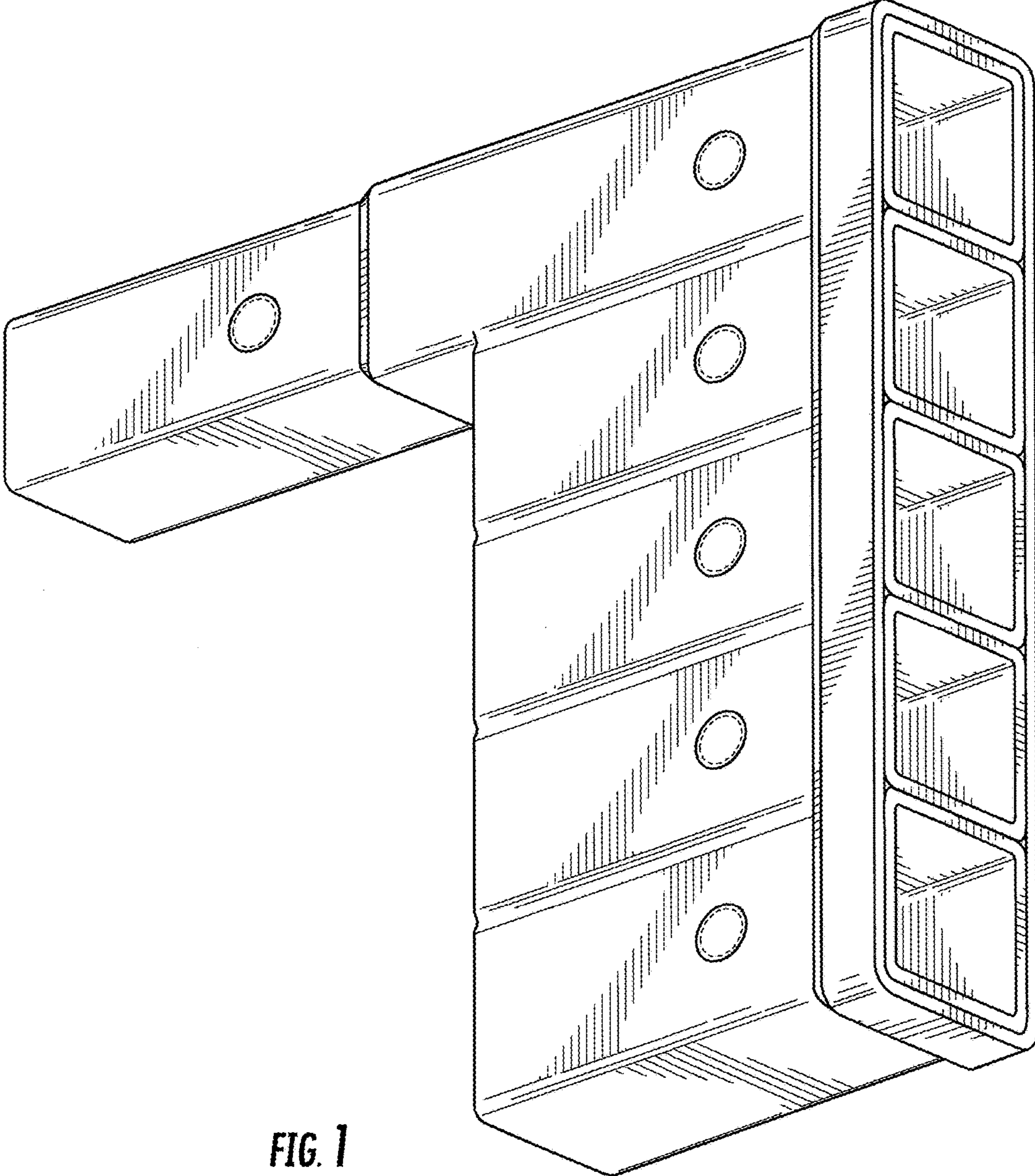


FIG. 1

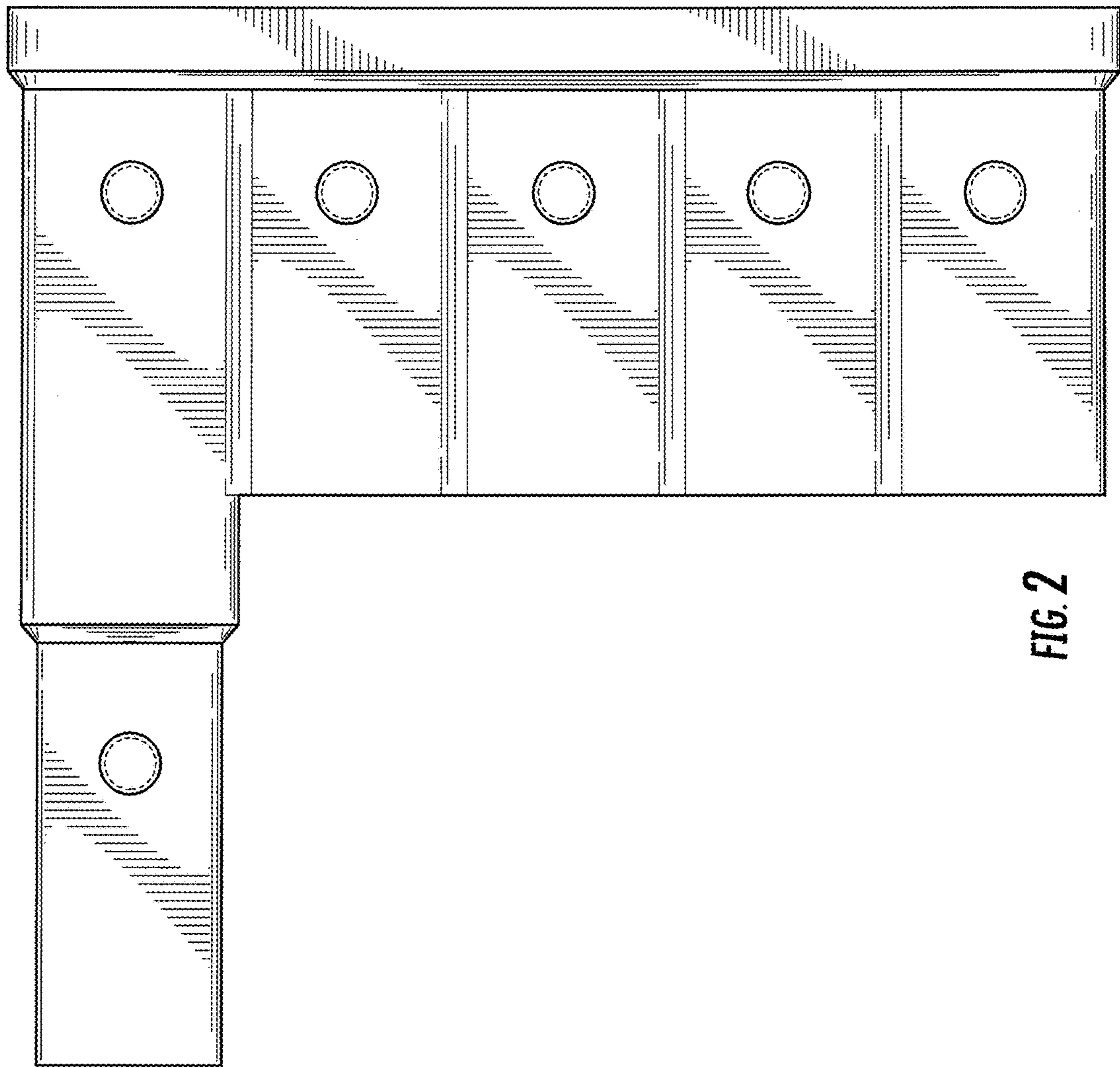


FIG. 2

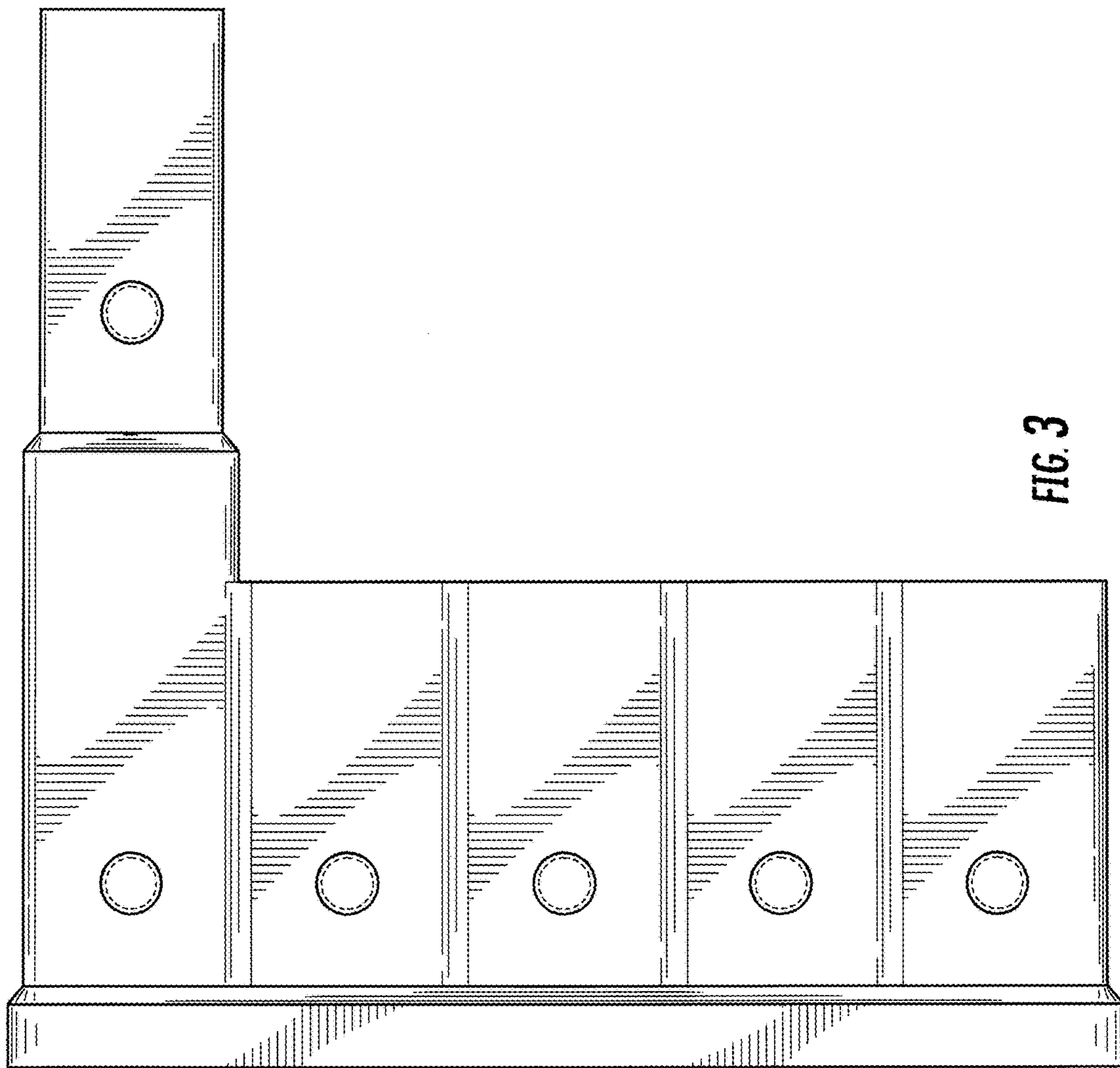


FIG. 3

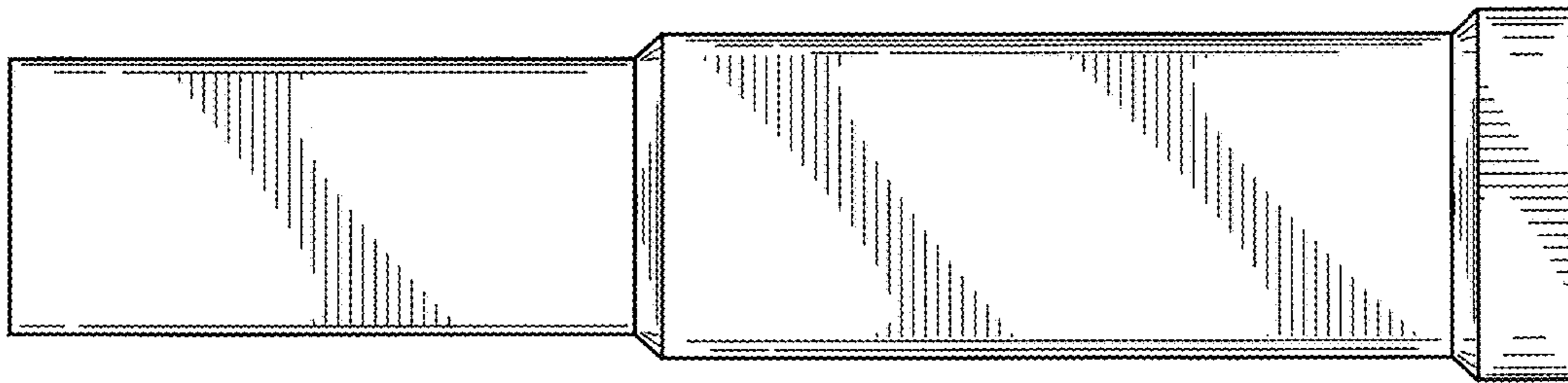


FIG. 5

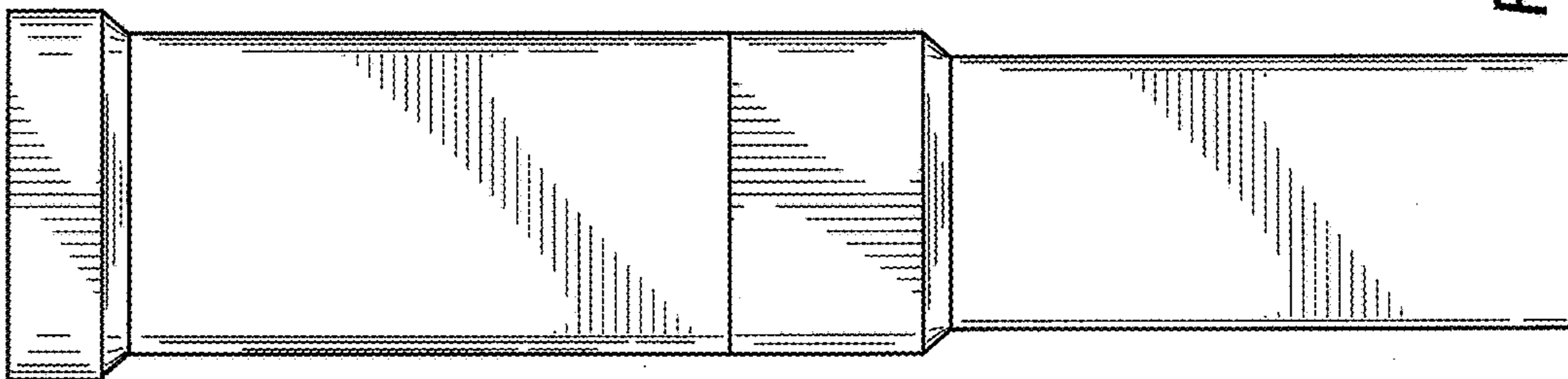


FIG. 4

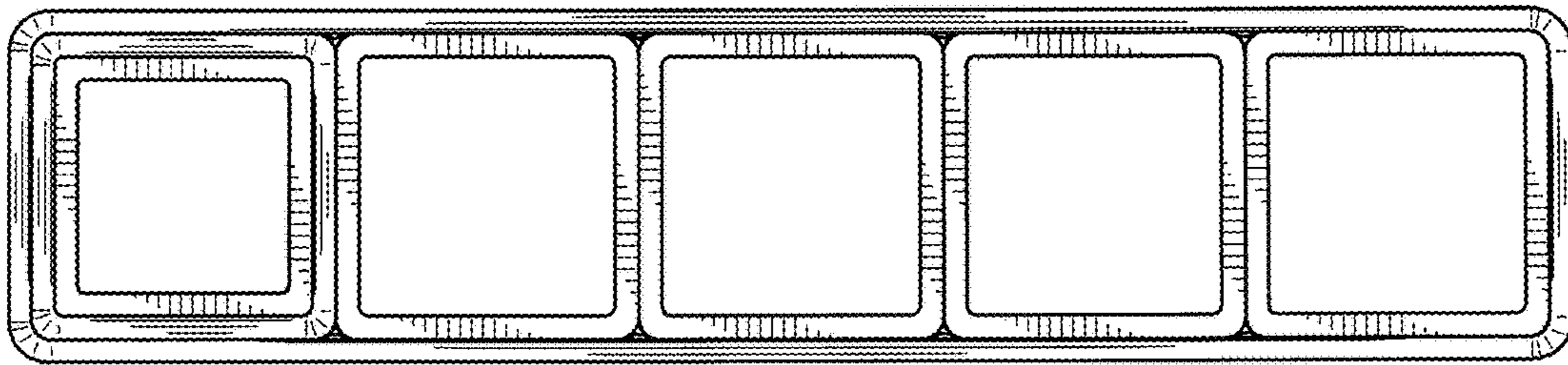


FIG. 7

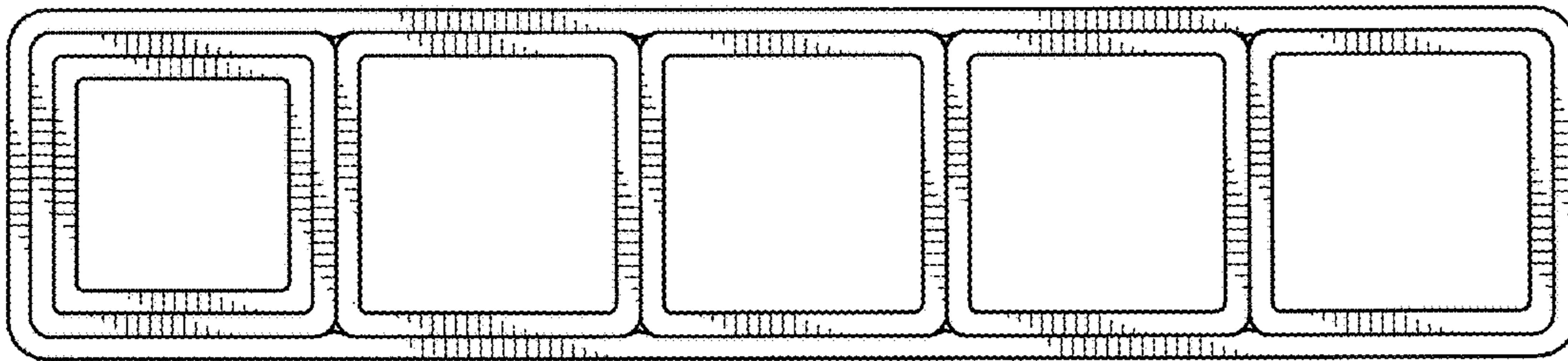


FIG. 6