



US00D832748S

(12) **United States Design Patent** (10) **Patent No.:** **US D832,748 S**
Scott (45) **Date of Patent:** **** Nov. 6, 2018**

(54) **TRAILER HITCH GUIDE**
(71) Applicant: **William Scott**, New Liskeard (CA)
(72) Inventor: **William Scott**, New Liskeard (CA)
(**) Term: **15 Years**
(21) Appl. No.: **29/609,372**
(22) Filed: **Jun. 29, 2017**
(51) **LOC (11) Cl.** **12-16**
(52) **U.S. Cl.**
USPC **D12/162**
(58) **Field of Classification Search**
USPC D12/159, 160, 161, 162, 203, 223, 400
CPC B60D 1/06; B60D 1/363
See application file for complete search history.

(56) **References Cited**

U.S. PATENT DOCUMENTS

4,417,748 A * 11/1983 Dortch B60D 1/363
280/477
D311,511 S * 10/1990 Craig D12/162
5,080,386 A * 1/1992 Lazar B60D 1/363
280/477
5,503,422 A * 4/1996 Austin B60D 1/06
280/477
5,549,316 A * 8/1996 Jones B60D 1/363
280/477

5,697,630 A * 12/1997 Thompson B60D 1/363
280/477
D414,732 S * 10/1999 Redmond D12/162
D503,131 S * 3/2005 Underwood D12/162
6,948,733 B2 * 9/2005 Webster B60D 1/363
280/477
D563,838 S * 3/2008 McCowan D12/162
8,091,914 B1 * 1/2012 Long B60D 1/363
280/477
D687,353 S * 8/2013 Dunn D12/162
8,919,804 B2 * 12/2014 Svihla B60D 1/363
280/495

* cited by examiner

Primary Examiner — Karen S Acker
Assistant Examiner — Jerry Shiuan-Hua Hsu
(74) *Attorney, Agent, or Firm* — Orin Del Vecchio

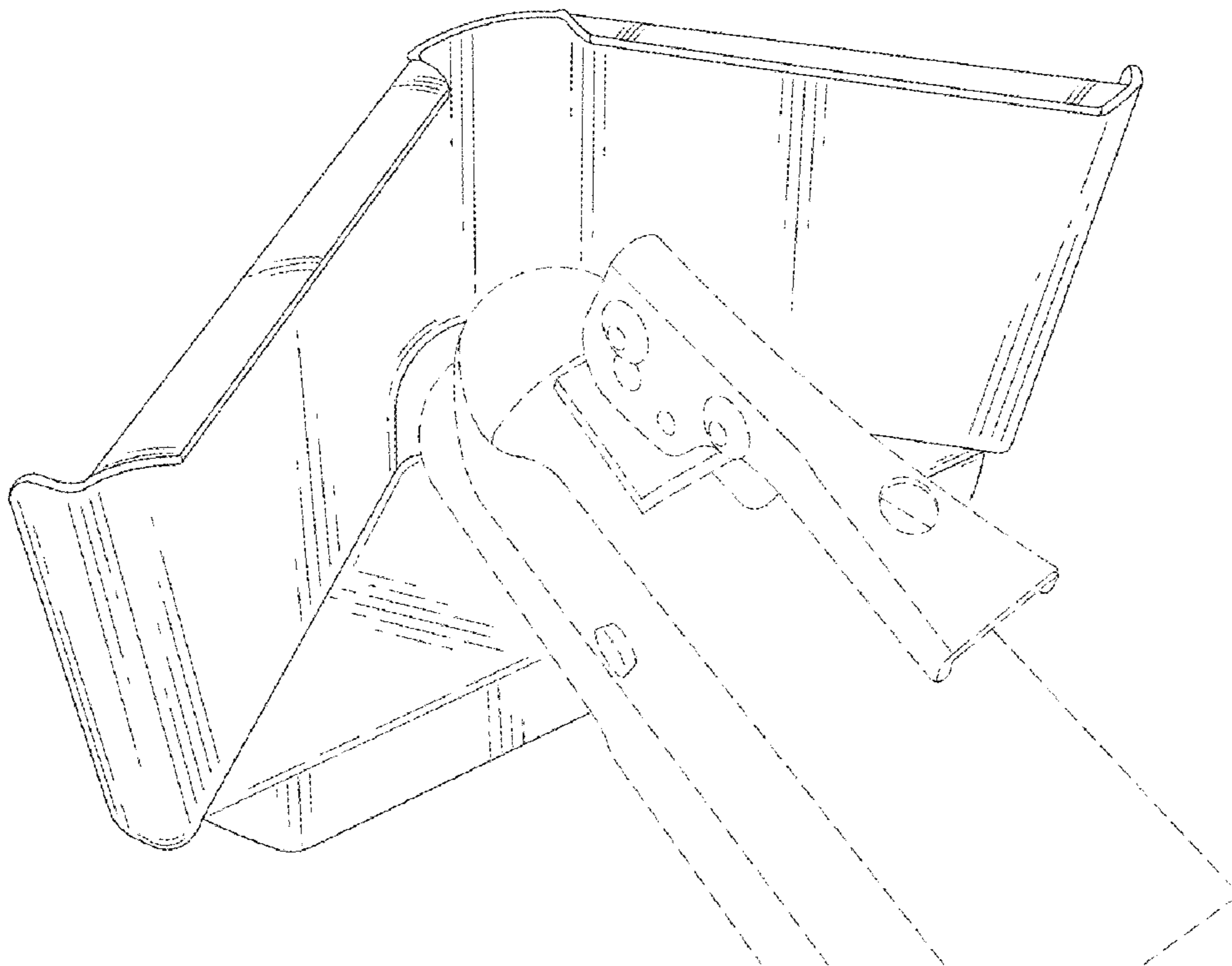
(57) **CLAIM**

The ornamental design for a trailer hitch guide, as shown and described.

DESCRIPTION

FIG. 1 is a perspective view of a trailer hitch guide shown with an attached trailer hitch;
FIG. 2 is a top perspective view of the trailer hitch guide;
FIG. 3 is a rear view of the trailer hitch guide; and,
FIG. 4 is a bottom perspective view of the trailer hitch guide.
The broken lines illustrating a trailer hitch depict environmental matter that forms no part of the claimed design.

1 Claim, 2 Drawing Sheets



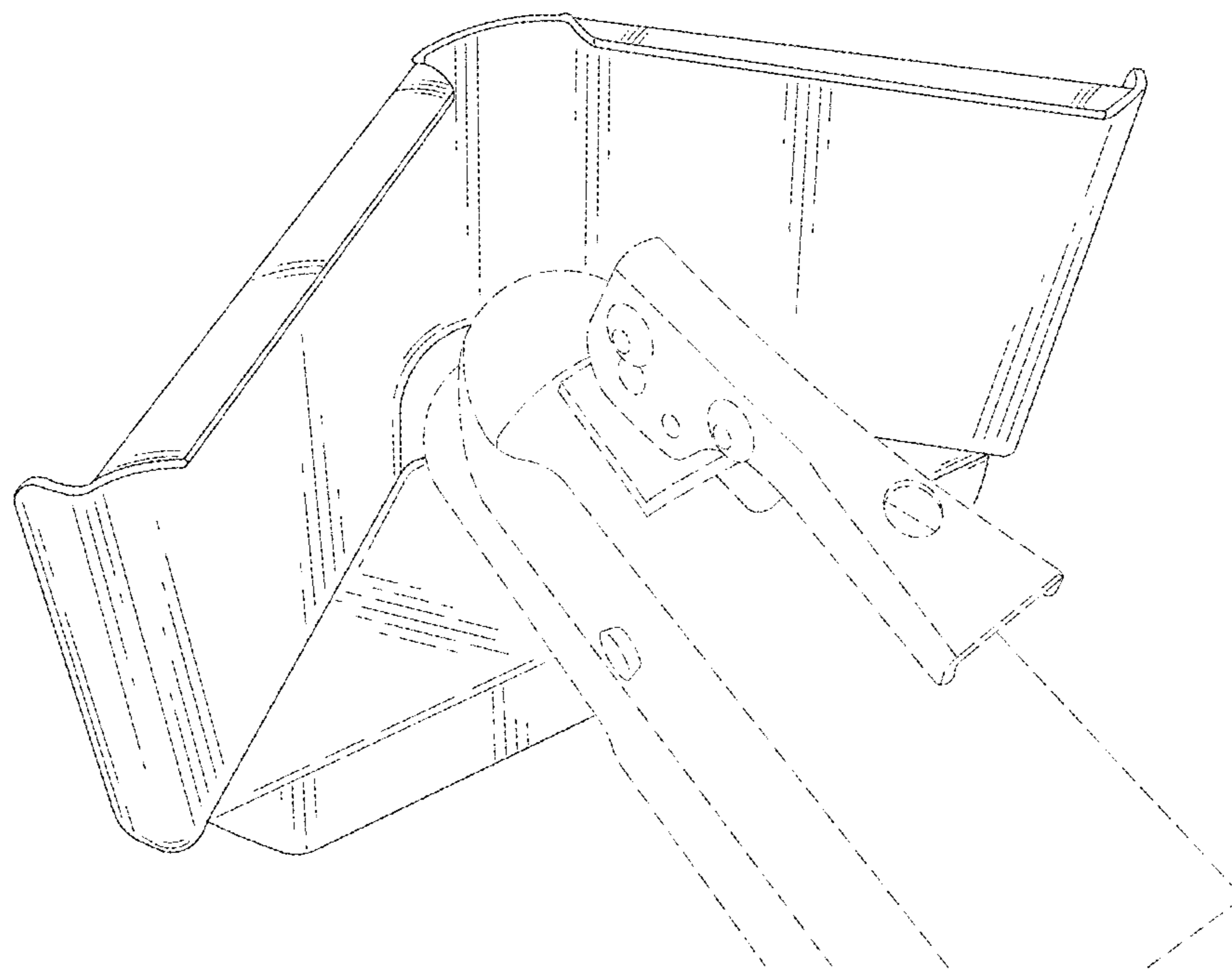


FIG. 1

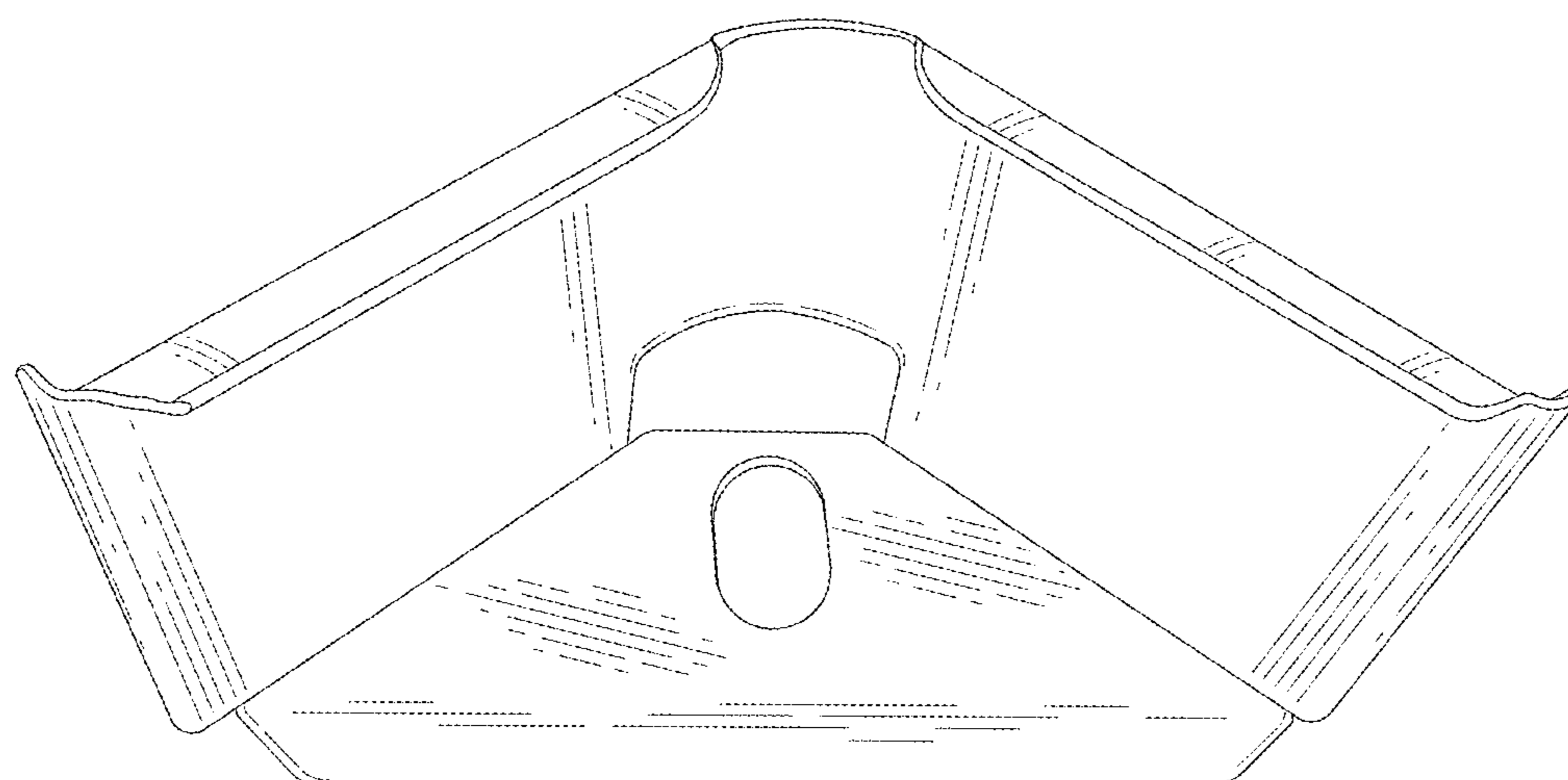


FIG. 2

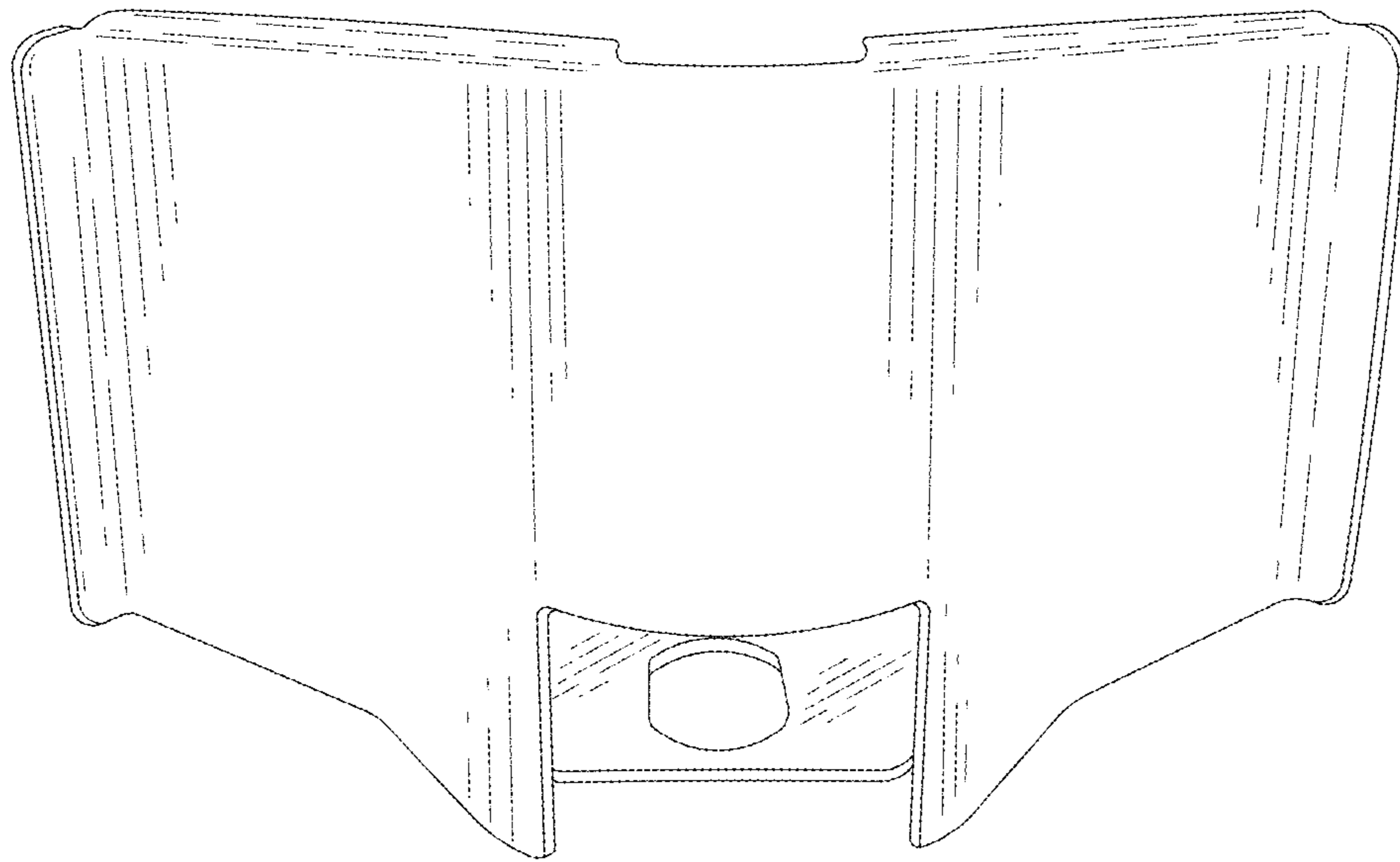


FIG. 3

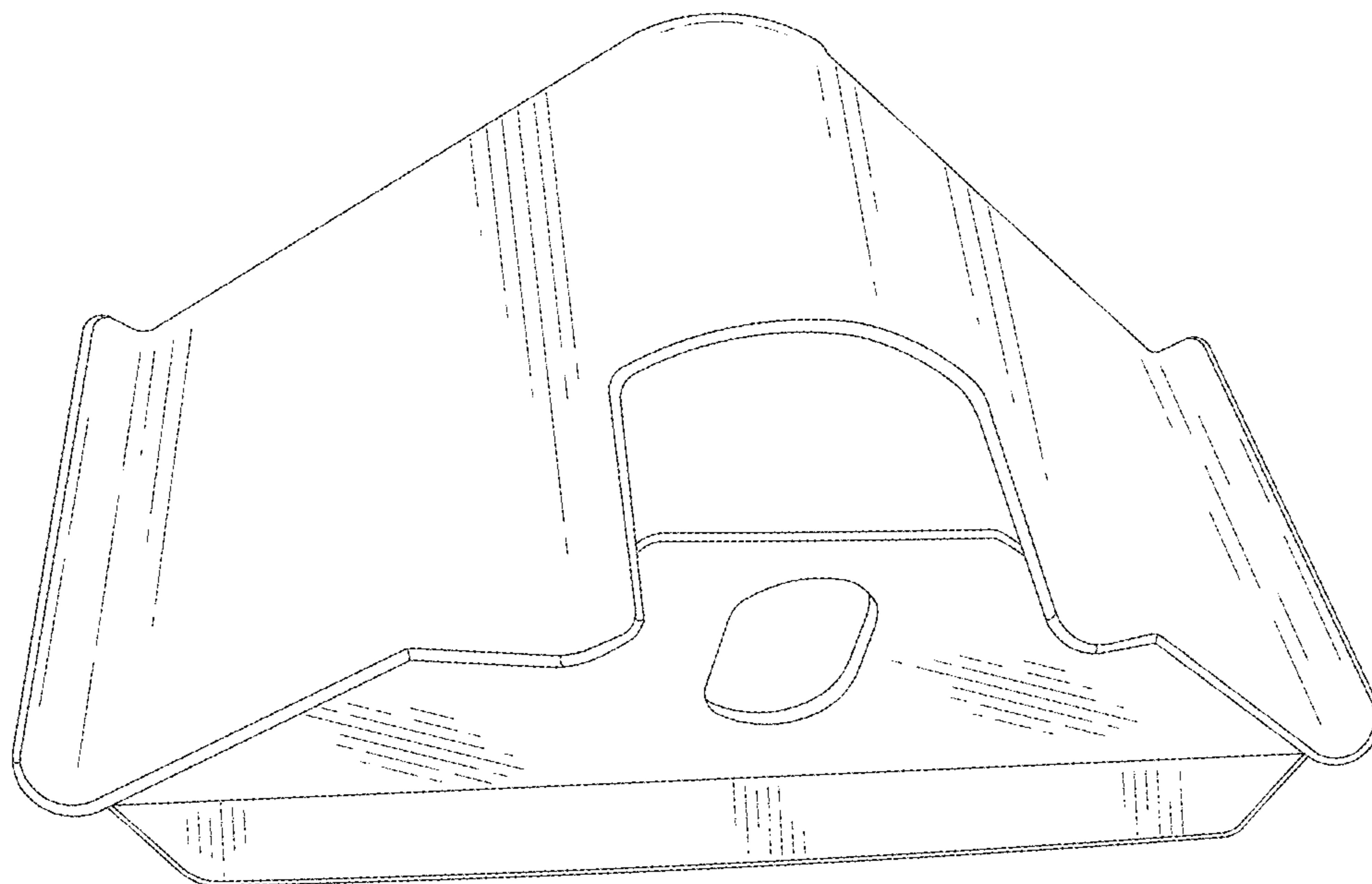


FIG. 4