



US00D832745S

(12) **United States Design Patent** (10) **Patent No.:** **US D832,745 S**
Armigliato et al. (45) **Date of Patent:** **** Nov. 6, 2018**

(54) **VEHICLE**

(71) Applicant: **IVECO S.p.A.**, Turin (IT)
(72) Inventors: **Marco Armigliato**, Turin (IT); **Raffaele Vergano**, Cambiano (IT); **Giampiero Vietti Niclot**, Caselle Torinese (IT); **David Melvin Wilkie**, Turin (IT); **Alessandro Bernardini**, Genova (IT)

(73) Assignee: **IVECO S.p.A.**, Turin (IT)

(**) Term: **15 Years**

(21) Appl. No.: **29/597,333**

(22) Filed: **Mar. 16, 2017**

(30) **Foreign Application Priority Data**

Sep. 19, 2016 (EM) 003384890-0001
Sep. 19, 2016 (EM) 003384890-0002

(51) **LOC (11) Cl.** **12-16**

(52) **U.S. Cl.**
USPC **D12/93**

(58) **Field of Classification Search**
USPC D12/93, 96, 97, 99, 102; D21/424, 434, D21/581
CPC B62D 35/00; B62D 35/001
See application file for complete search history.

(56) **References Cited**

U.S. PATENT DOCUMENTS

D291,674 S * 9/1987 Smith D12/96
D626,890 S * 11/2010 Cantemir D12/12
D645,380 S * 9/2011 Beigel D12/93
D650,722 S * 12/2011 Marchi D12/93
D651,136 S * 12/2011 Stimel, Jr. D12/96
D719,879 S * 12/2014 Ito D12/96
D757,604 S * 5/2016 Joren D12/36
2012/0056444 A1 * 3/2012 Stimel B62D 25/186
296/180.2
2013/0127205 A1 * 5/2013 Jaynes B62D 25/06
296/190.1

(Continued)

FOREIGN PATENT DOCUMENTS

EP 1870320 12/2007
EP 1870321 12/2007
EP 1870322 12/2007

OTHER PUBLICATIONS

<http://autodesigndesignmagazine.com/en/2017/01/iveco-z-truck-un-manifesto-futuro/> Uploaded Jan. 15, 2017 (Year: 2017).*

Primary Examiner — Susan Bennett Hattan

Assistant Examiner — Leanne Was-Englehart

(74) *Attorney, Agent, or Firm* — Stetina Brunda Garred and Brucker

(57) **CLAIM**

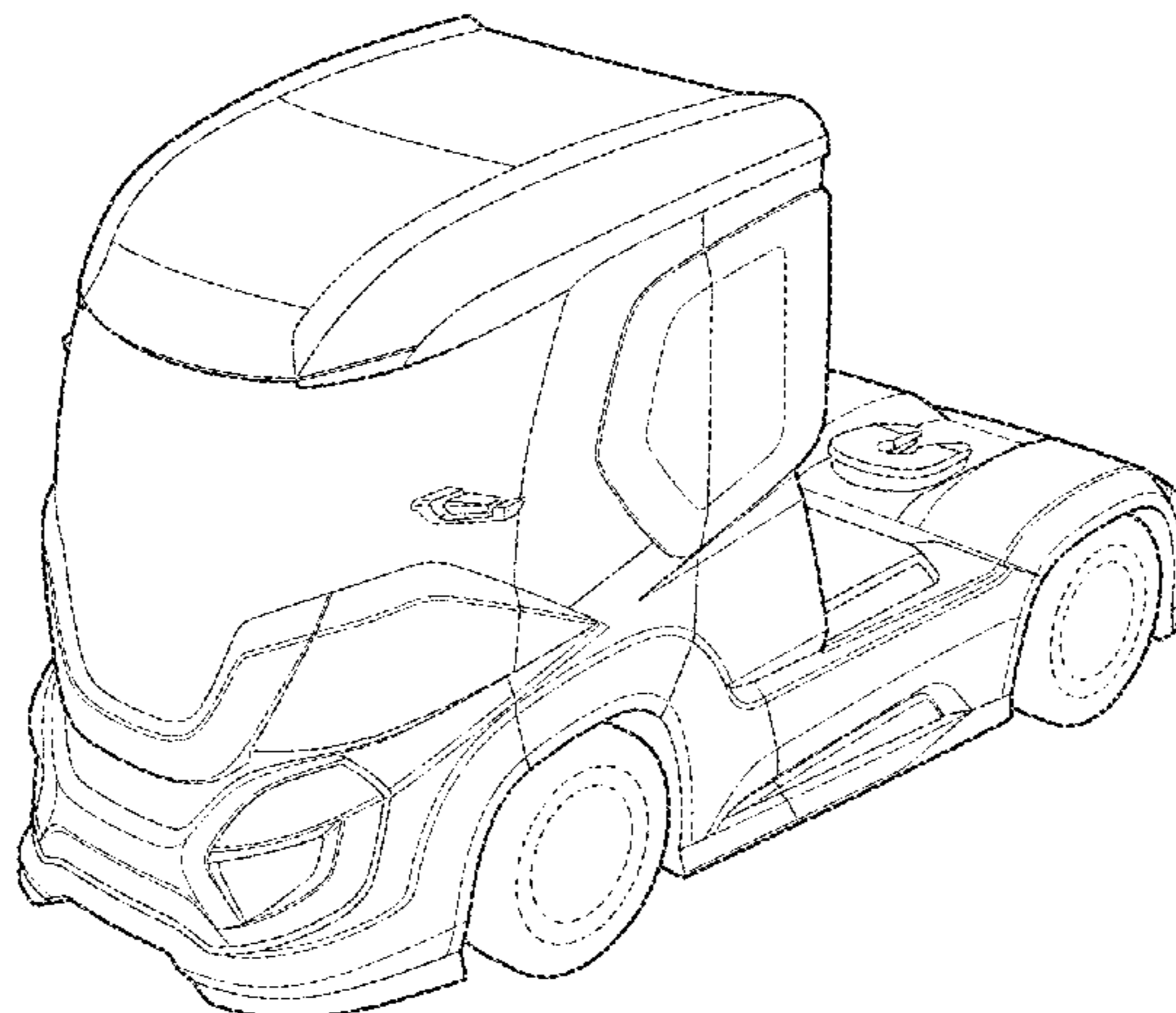
The ornamental design for a vehicle, as shown and described.

DESCRIPTION

FIG. 1 is a front perspective view of the vehicle of the present invention showing our new design;
FIG. 2 is a rear perspective view thereof;
FIG. 3 is a front view thereof;
FIG. 4 is a rear view thereof;
FIG. 5 is a left side view thereof;
FIG. 6 is a right side view thereof;
FIG. 7 is a top plan view thereof; and,
FIG. 8 is a bottom view thereof.

The broken line of the underside of the vehicle, the broken line of the portion of the rear of the vehicle, the broken line on the portion of the left side of the vehicle, and the broken line on the portion of the right side of the vehicle are for illustrative purposes only and form no part of the claimed design.

1 Claim, 8 Drawing Sheets



(56)

References Cited

U.S. PATENT DOCUMENTS

2014/0232133 A1* 8/2014 He B62D 35/001
296/180.2
2018/0001942 A1* 1/2018 Milton B62D 35/001

* cited by examiner

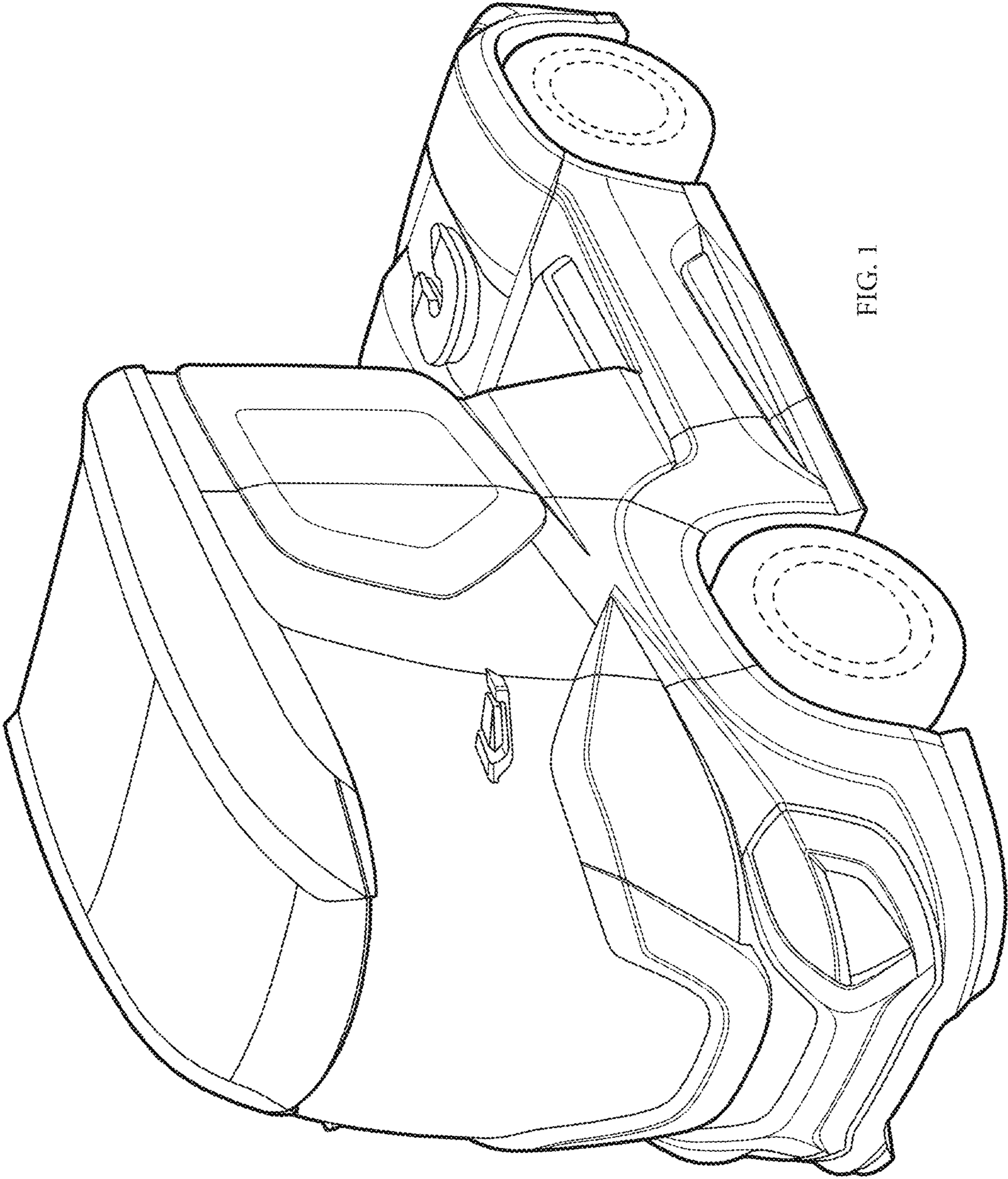


FIG. 1

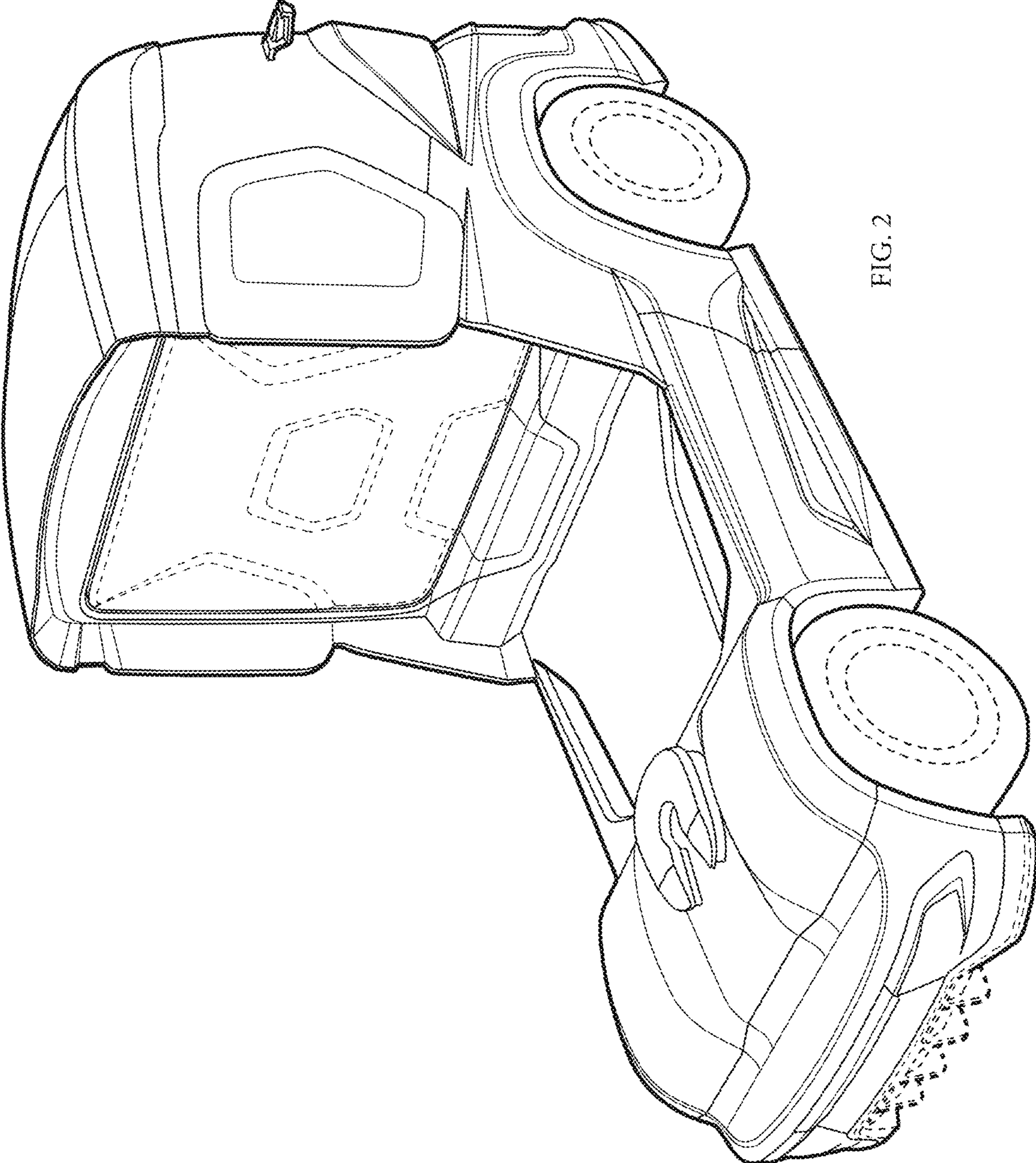


FIG. 2

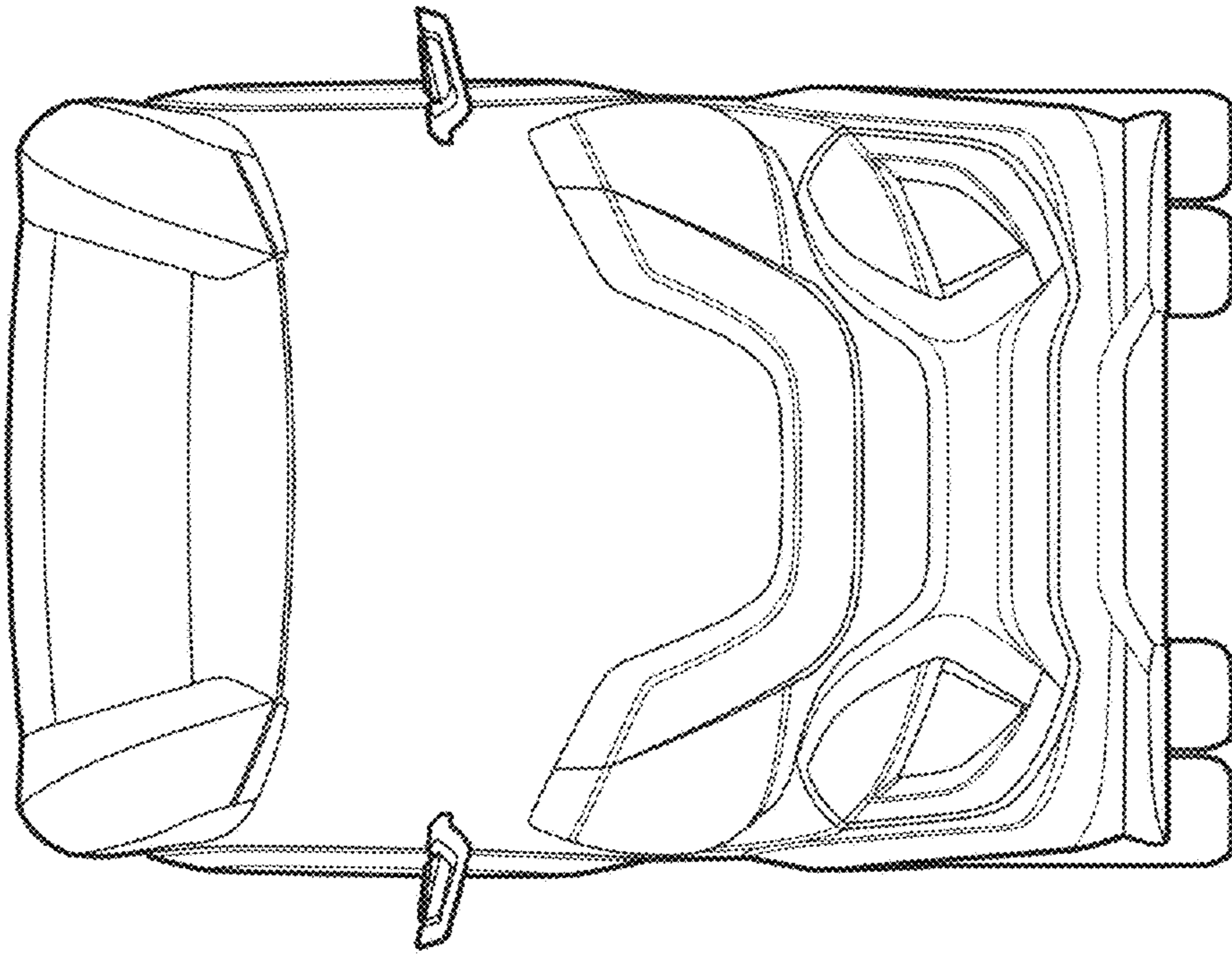


FIG. 3

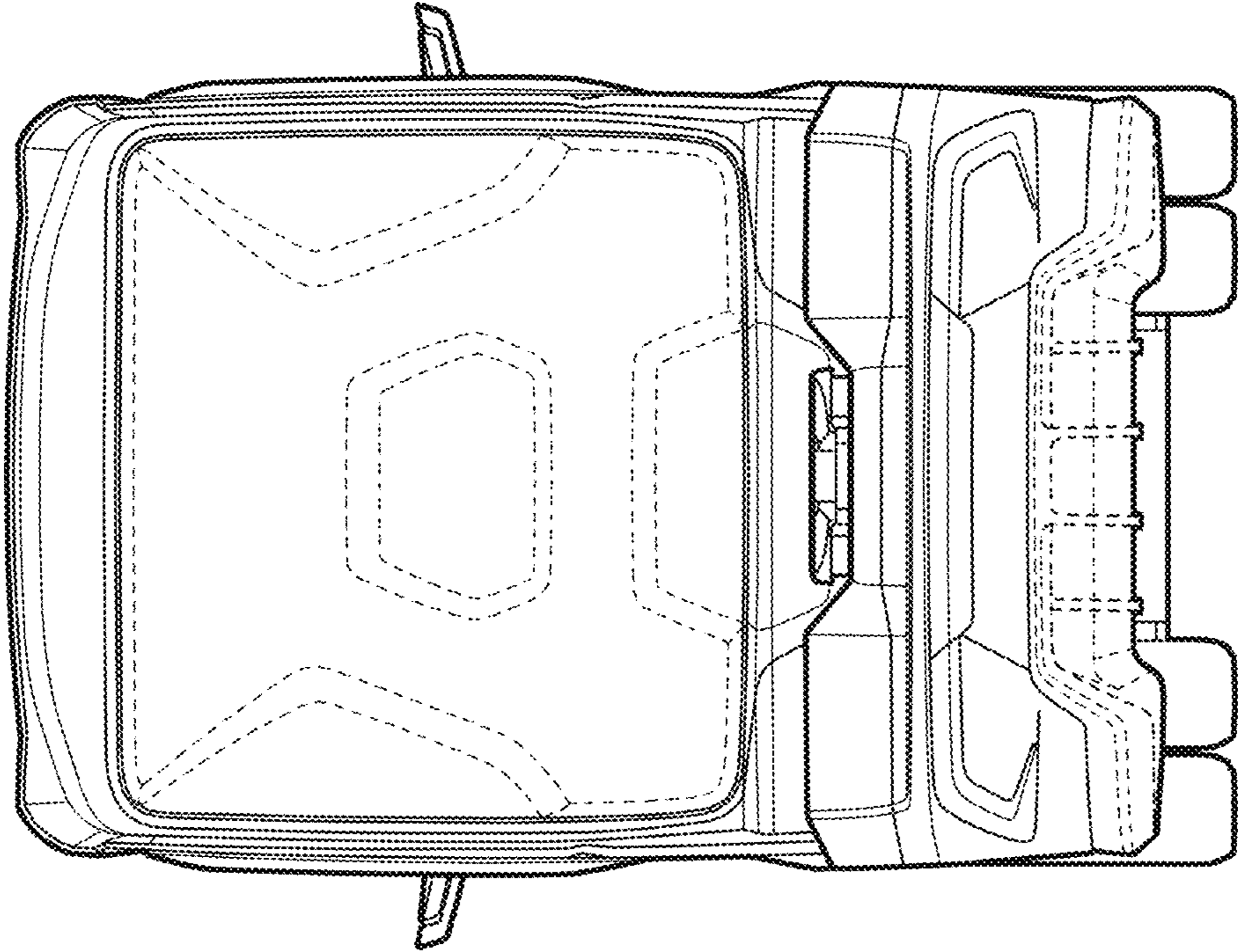


FIG. 4

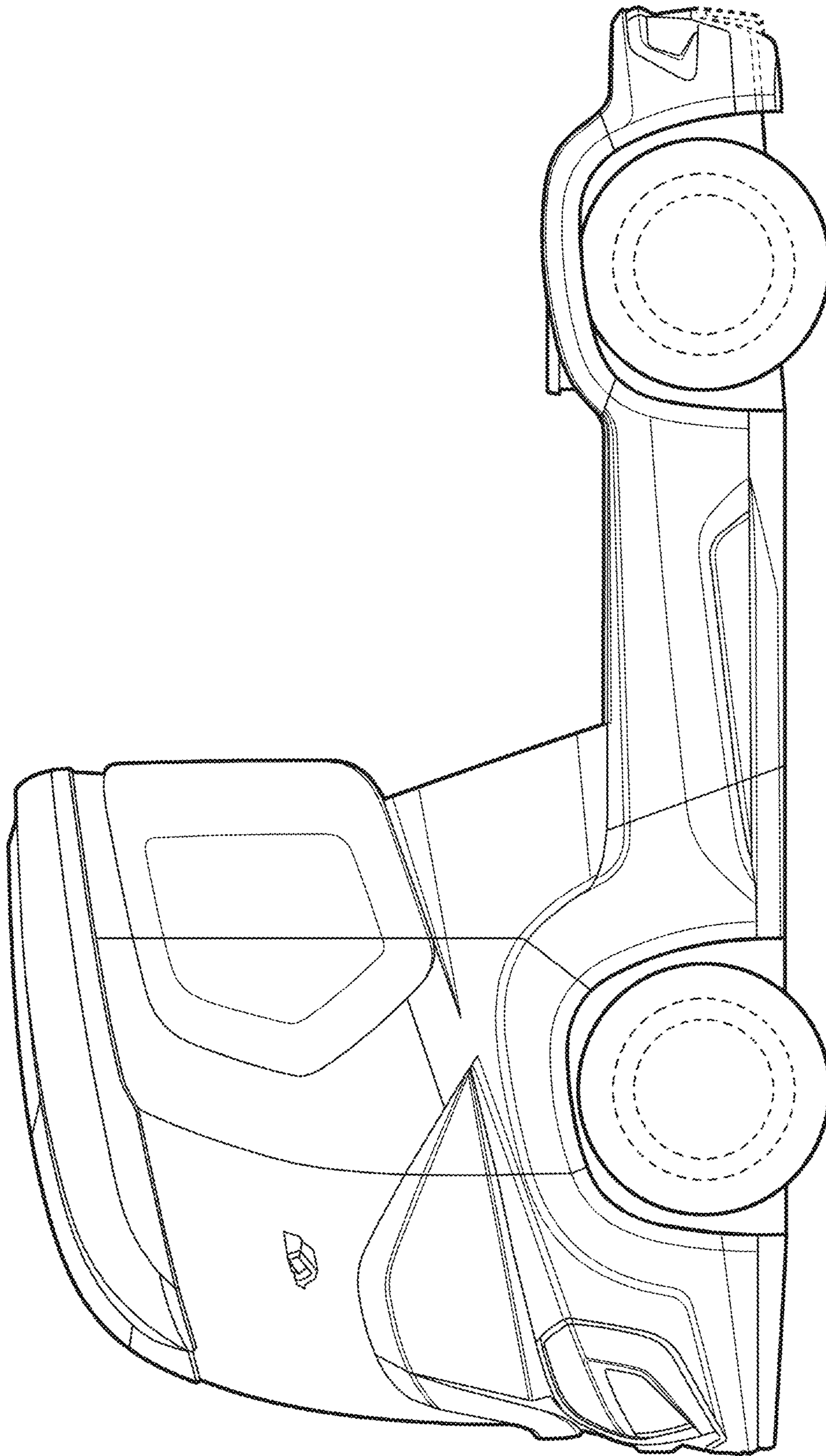


FIG. 5

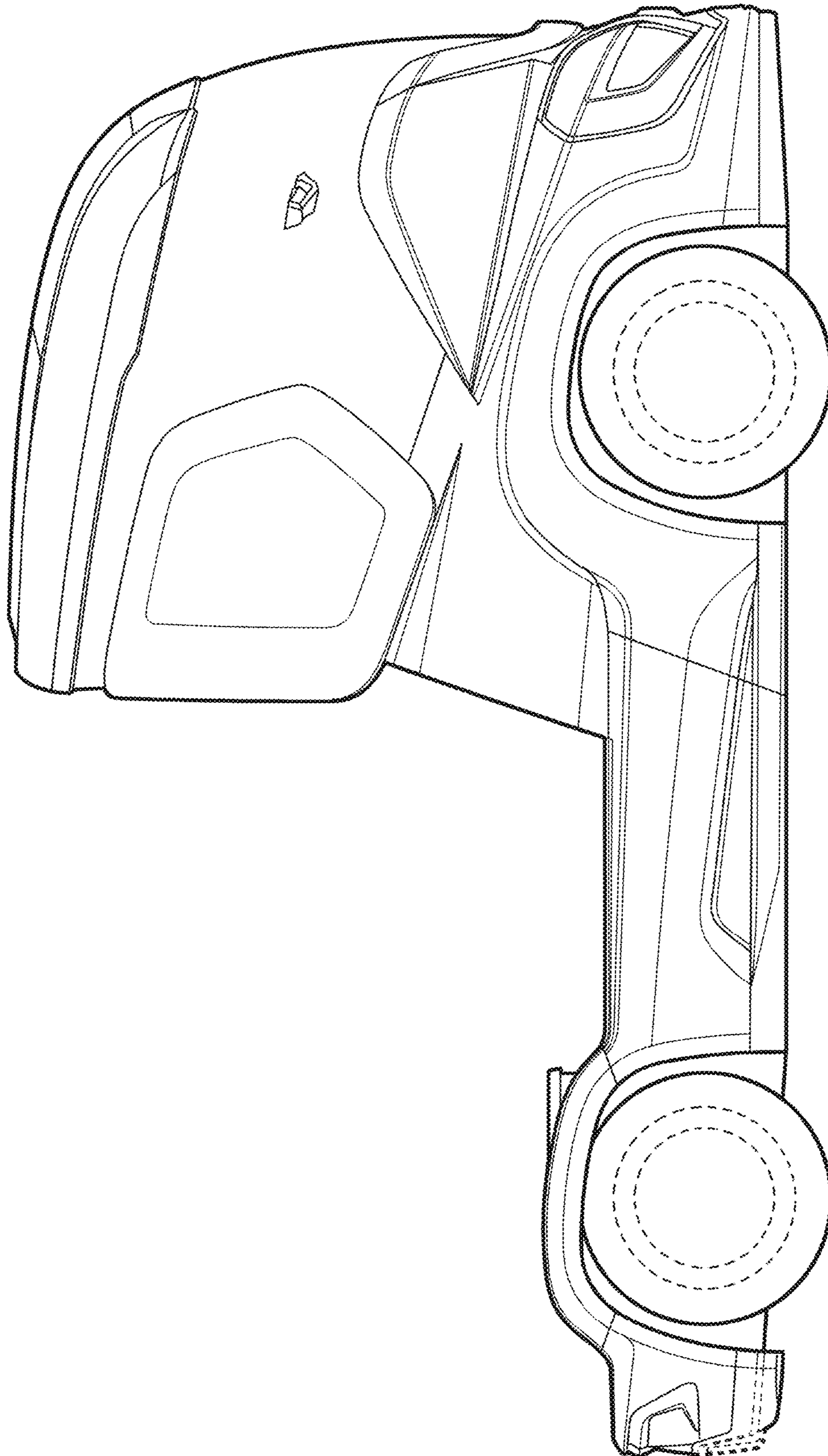
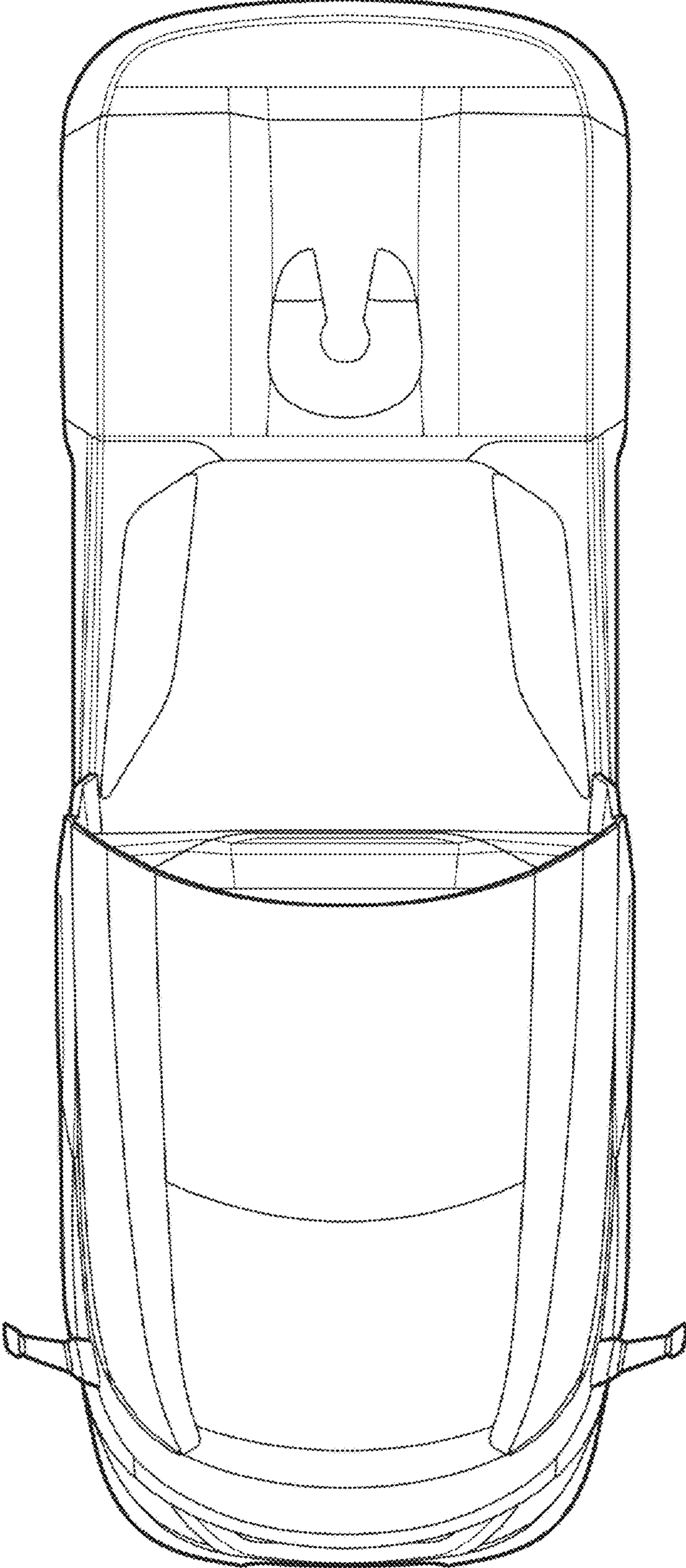


FIG. 6

FIG. 7



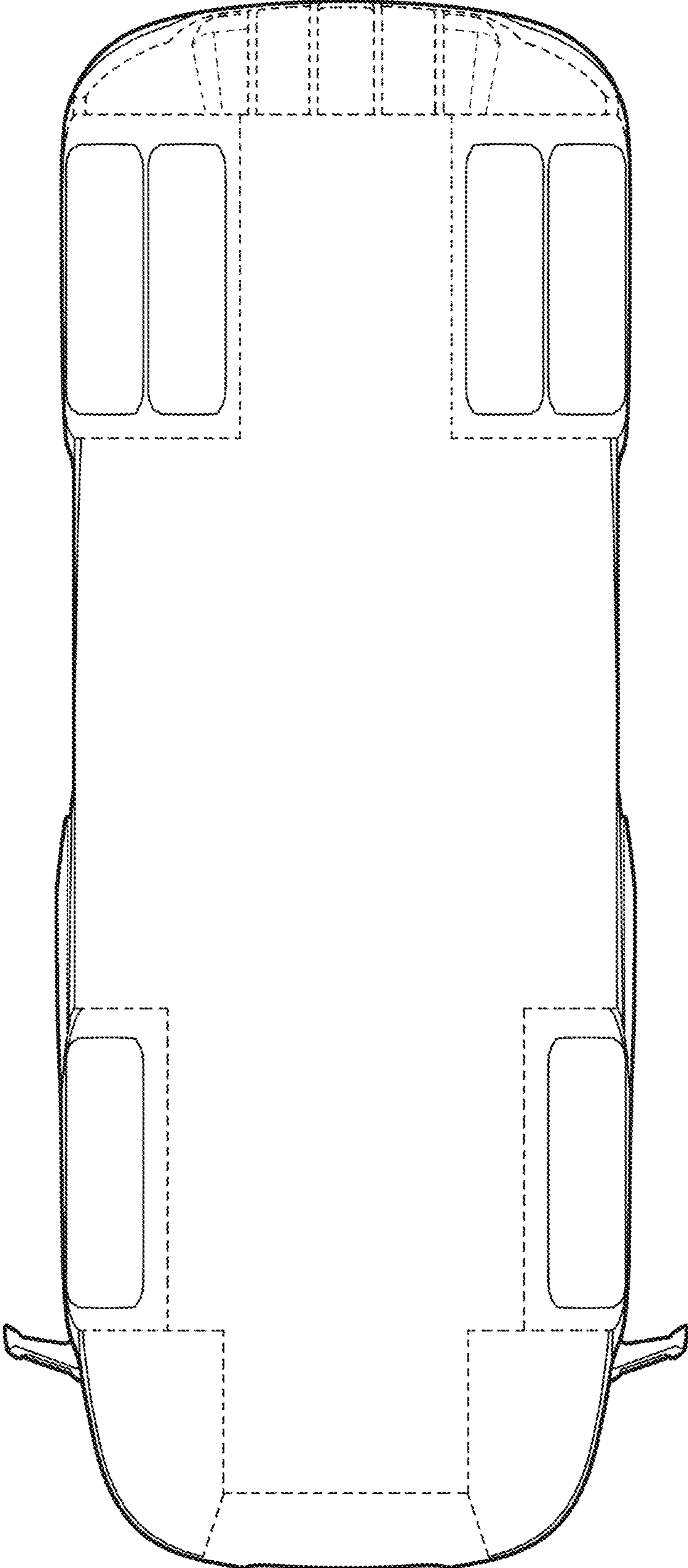


FIG. 8