



US00D832741S

(12) **United States Design Patent**  
**Elliott**

(10) **Patent No.:** **US D832,741 S**

(45) **Date of Patent:** **\*\* Nov. 6, 2018**

(54) **TOOTH HOLDER CHOPPER**

(71) Applicant: **Pamela M. Elliott**, Columbia, IL (US)

(72) Inventor: **Pamela M. Elliott**, Columbia, IL (US)

(\*\*) Term: **15 Years**

(21) Appl. No.: **29/611,321**

(22) Filed: **Jul. 20, 2017**

(51) **LOC (11) Cl.** ..... **11-02**

(52) **U.S. Cl.**

USPC ..... **D11/163**

(58) **Field of Classification Search**

USPC .... D11/44, 48, 49, 53, 57, 82, 83, 101, 121,  
D11/127, 128, 131, 132, 133, 136, 137,  
D11/150, 157, 158, 160, 162, 163, 164,  
D11/184, 204, 211, 217, 219, 223, 224,  
D11/232, 233, 238, 239, 240; D19/40,  
D19/140, 141, 100; D6/567, 571, 674,  
D6/674.1; D9/457

CPC ..... A63H 3/003; A63H 3/52; A63H 27/14

See application file for complete search history.

(56) **References Cited**

**U.S. PATENT DOCUMENTS**

D280,781 S \* 10/1985 Zarganis ..... D3/270  
D285,708 S \* 9/1986 Schroeder ..... D19/59

D313,524 S \* 1/1991 Barnes ..... D6/553  
D358,253 S \* 5/1995 Wong ..... D3/247  
D416,734 S \* 11/1999 Lannon ..... D6/514  
D484,726 S \* 1/2004 Bendel ..... D6/571  
6,932,213 B1 \* 8/2005 Distad ..... A61C 19/008  
206/232  
D556,487 S \* 12/2007 Boutin ..... D6/567  
D763,130 S \* 8/2016 Elliott ..... D11/162

\* cited by examiner

*Primary Examiner* — Michelle E. Wilson

(74) *Attorney, Agent, or Firm* — Charles McCloskey

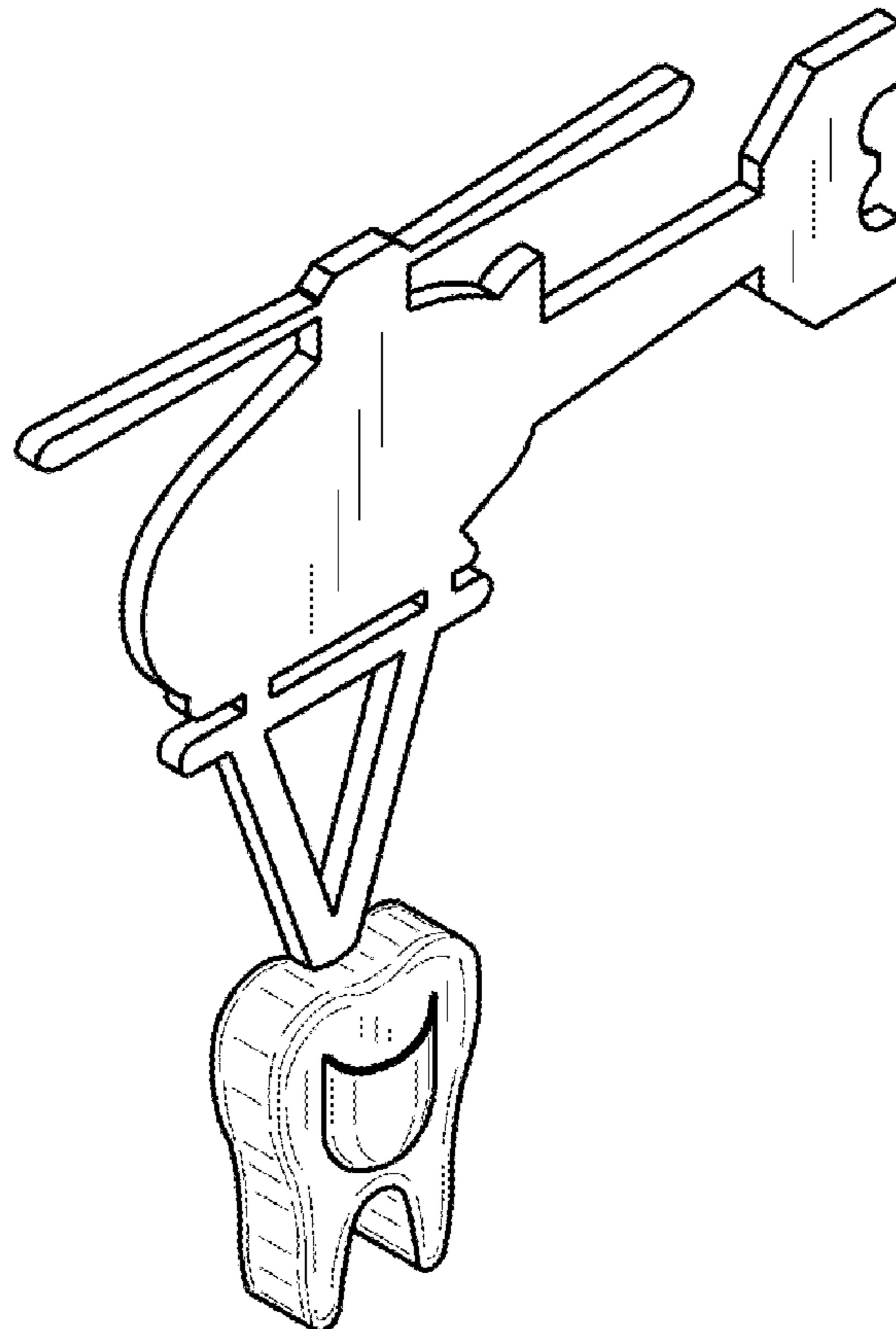
(57) **CLAIM**

The ornamental design for a tooth holder chopper, as shown and described.

**DESCRIPTION**

FIG. 1 is a front view of the tooth holder chopper;  
FIG. 2 is a back view thereof;  
FIG. 3 is a top view thereof;  
FIG. 4 is a bottom view thereof;  
FIG. 5 is a left side view thereof;  
FIG. 6 is a right side view thereof; and,  
FIG. 7 is a perspective view thereof.

**1 Claim, 2 Drawing Sheets**



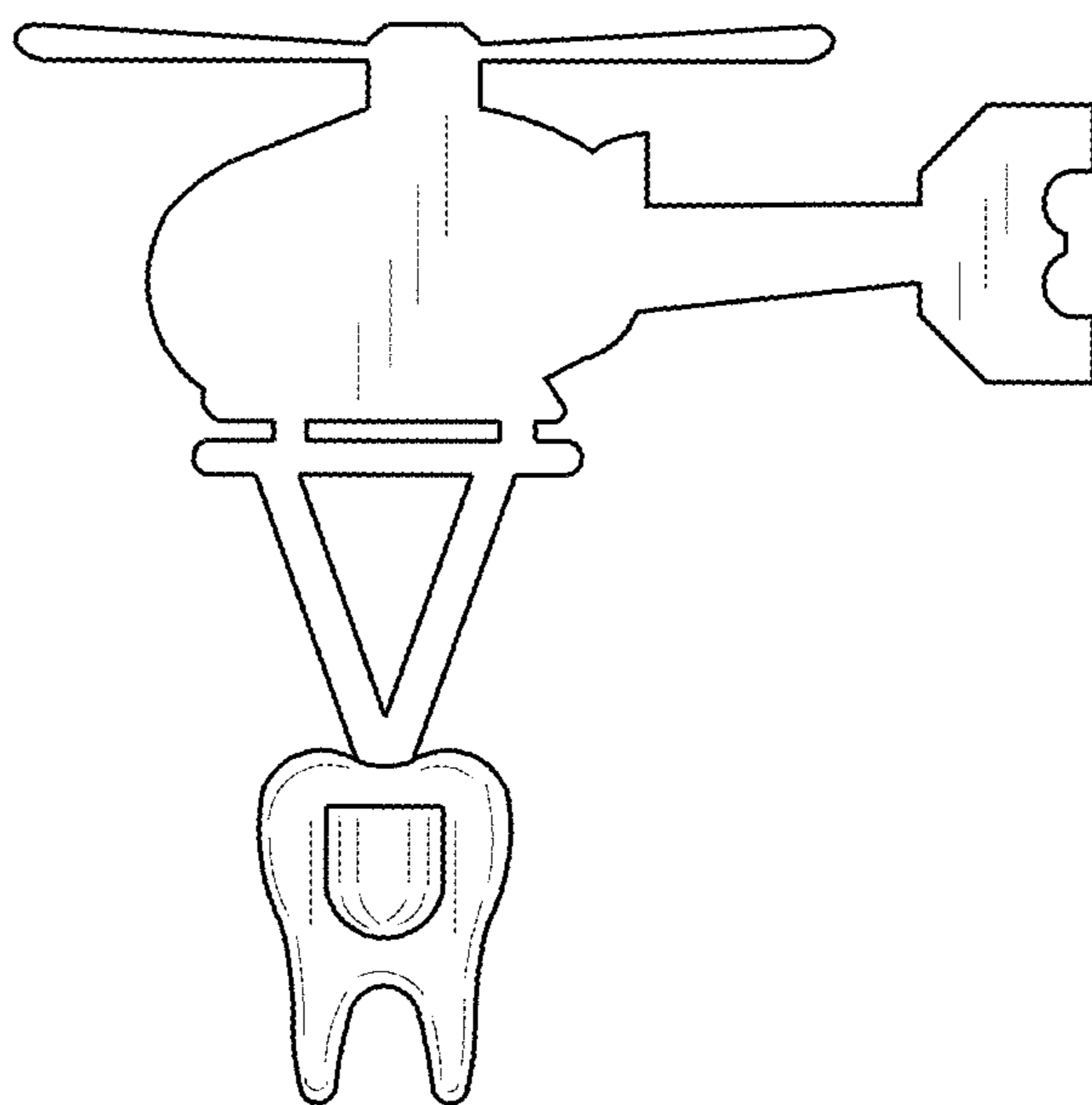


FIG. 1

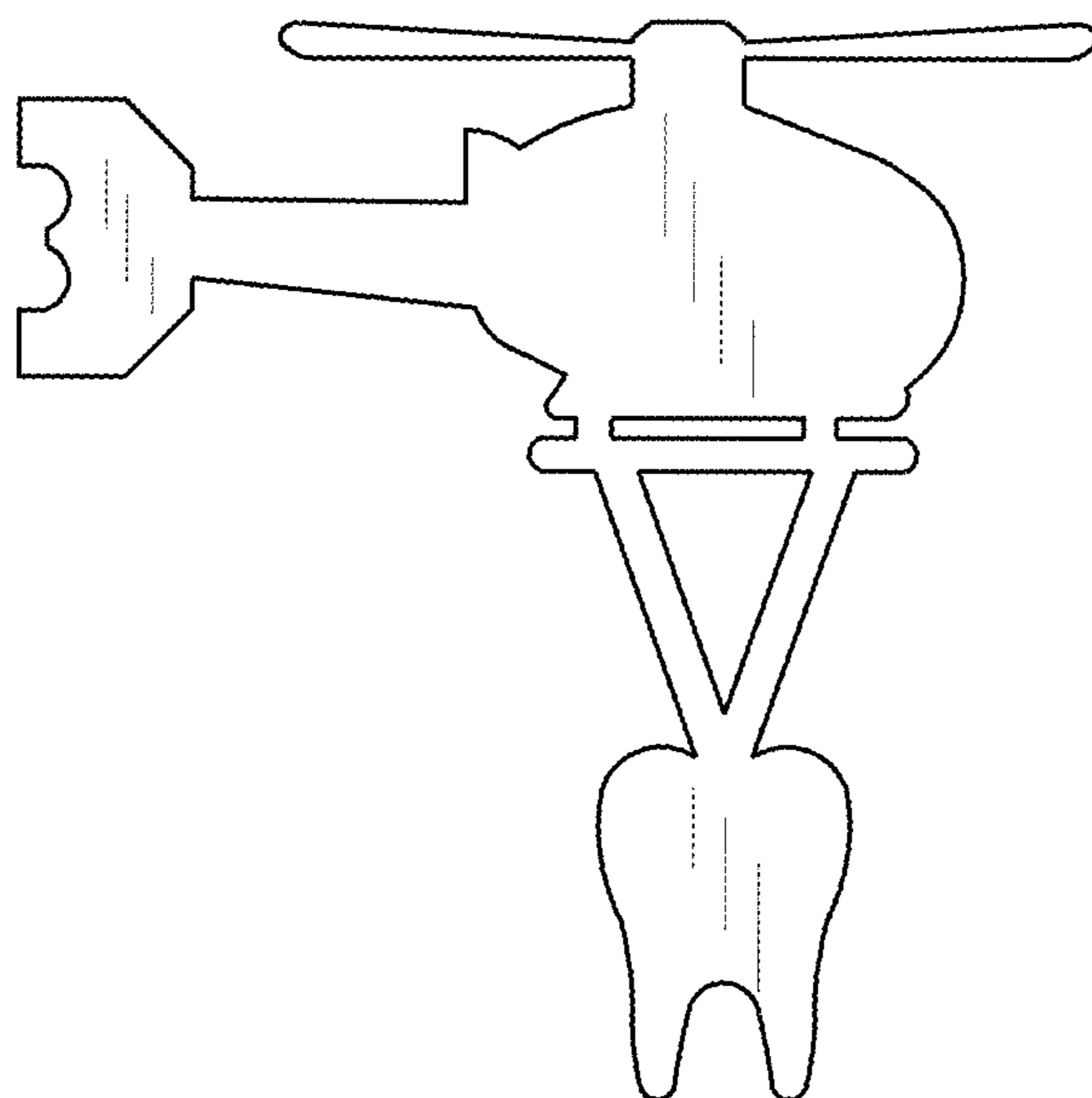


FIG. 2

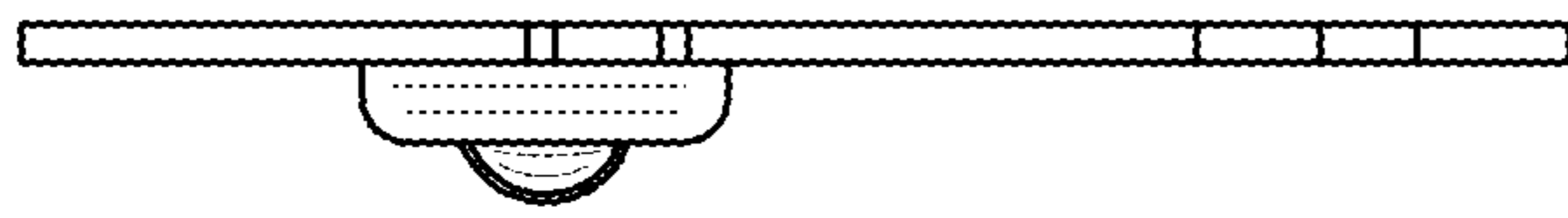


FIG. 3



FIG. 4

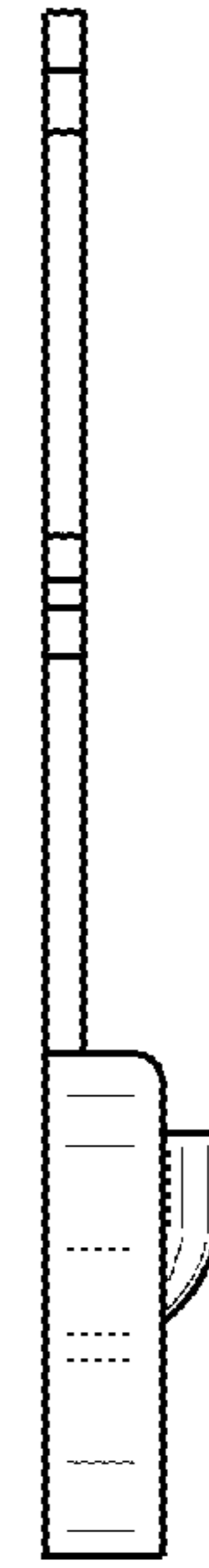


FIG. 5



FIG. 6

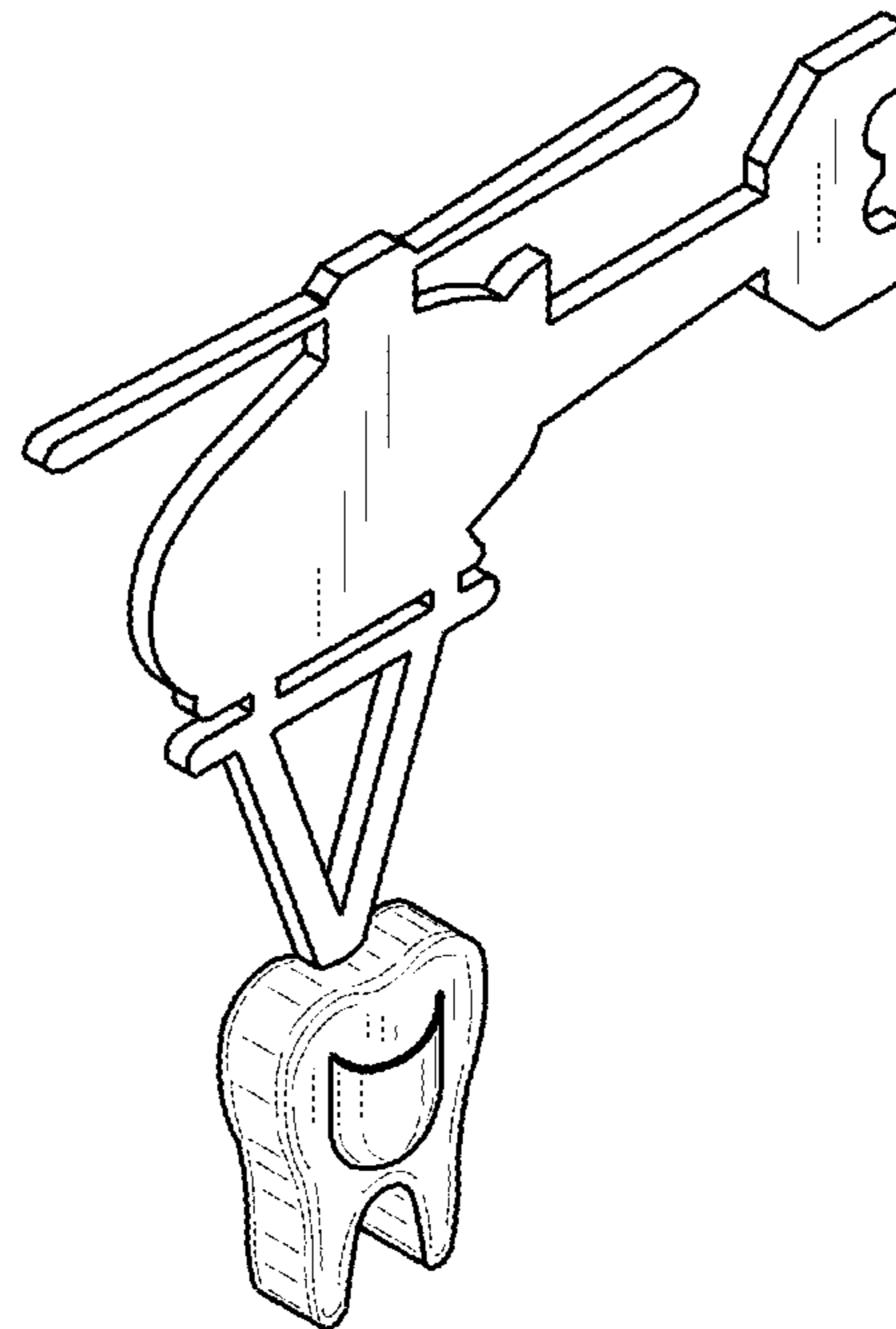


FIG. 7