



US00D832739S

(12) **United States Design Patent** (10) **Patent No.:** **US D832,739 S**
Blumenfeld et al. (45) **Date of Patent:** **** Nov. 6, 2018**

(54) **VASE**

(71) Applicant: **Rotuba Extruders, Inc.**, Linden, NJ (US)

(72) Inventors: **Jim Blumenfeld**, Lincroft, NJ (US); **Adam Bell**, Short Hills, NJ (US)

(73) Assignee: **Rotuba Extruders, Inc.**, Linden, NJ (US)

(**) Term: **15 Years**

(21) Appl. No.: **29/592,449**

(22) Filed: **Jan. 30, 2017**

(51) **LOC (11) Cl.** **11-02**

(52) **U.S. Cl.**
 USPC **D11/143**

(58) **Field of Classification Search**
 USPC D11/144, 146, 145, 148, 149, 151, 152, D11/153, 154, 155, 156, 164; D6/405, D6/558; D8/1; D3/303
 CPC A01G 31/02; A01G 9/12; Y02P 60/216
 See application file for complete search history.

D308,839 S * 6/1990 Pierce D11/157
 D399,430 S * 10/1998 Ramsey D9/540
 D462,637 S * 9/2002 Guenot D11/149
 D581,288 S * 11/2008 Villalobos D9/548
 2005/0011123 A1* 1/2005 Dai A01G 31/02
 47/79
 2014/0223819 A1* 8/2014 Coghlan A01K 63/045
 47/62 R

* cited by examiner

Primary Examiner — Karen S Acker

Assistant Examiner — Steven B Reinholdt, Jr.

(74) *Attorney, Agent, or Firm* — Leason Ellis LLP

(57) **CLAIM**

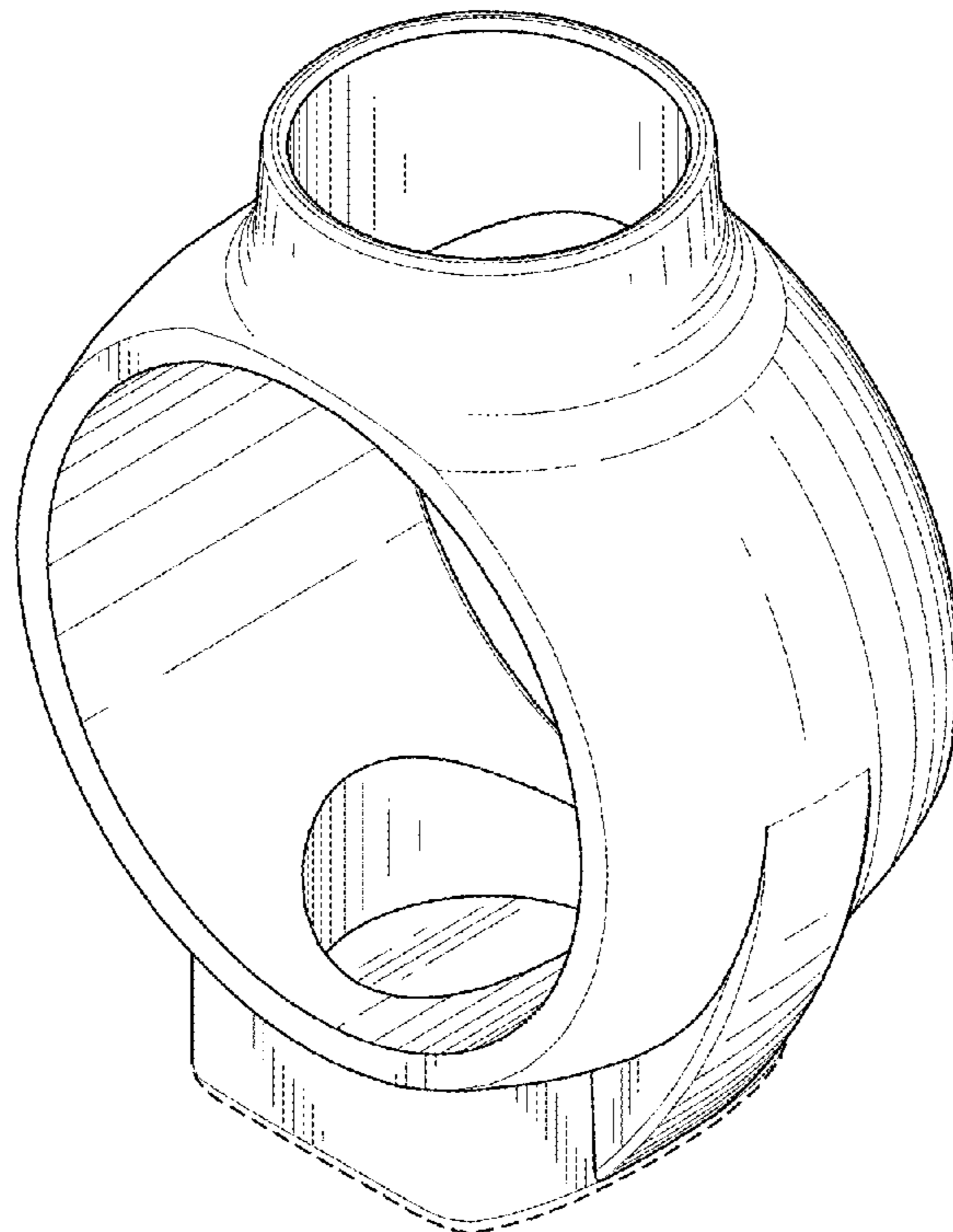
The ornamental design for a vase, as shown and described.

DESCRIPTION

FIG. 1 is a top perspective view of a vase showing our new design;
 FIG. 2 is a bottom perspective view of the vase of FIG. 1 shown rotated from the horizontal and vertical axes;
 FIG. 3 is a front view of the vase of FIG. 1;
 FIG. 4 is a left side view of the vase of FIG. 1, the right side view being the same;
 FIG. 5 is an enlarged top view of the vase of FIG. 1; and,
 FIG. 6 is an enlarged bottom view of the vase of FIG. 1.
 The broken lines in the figures depict portions of the vase that form no part of the claimed design.

(56) **References Cited**
 U.S. PATENT DOCUMENTS
 D46,093 S * 7/1914 Hill D26/36
 D50,623 S * 4/1917 Kilker et al. D26/31

1 Claim, 6 Drawing Sheets



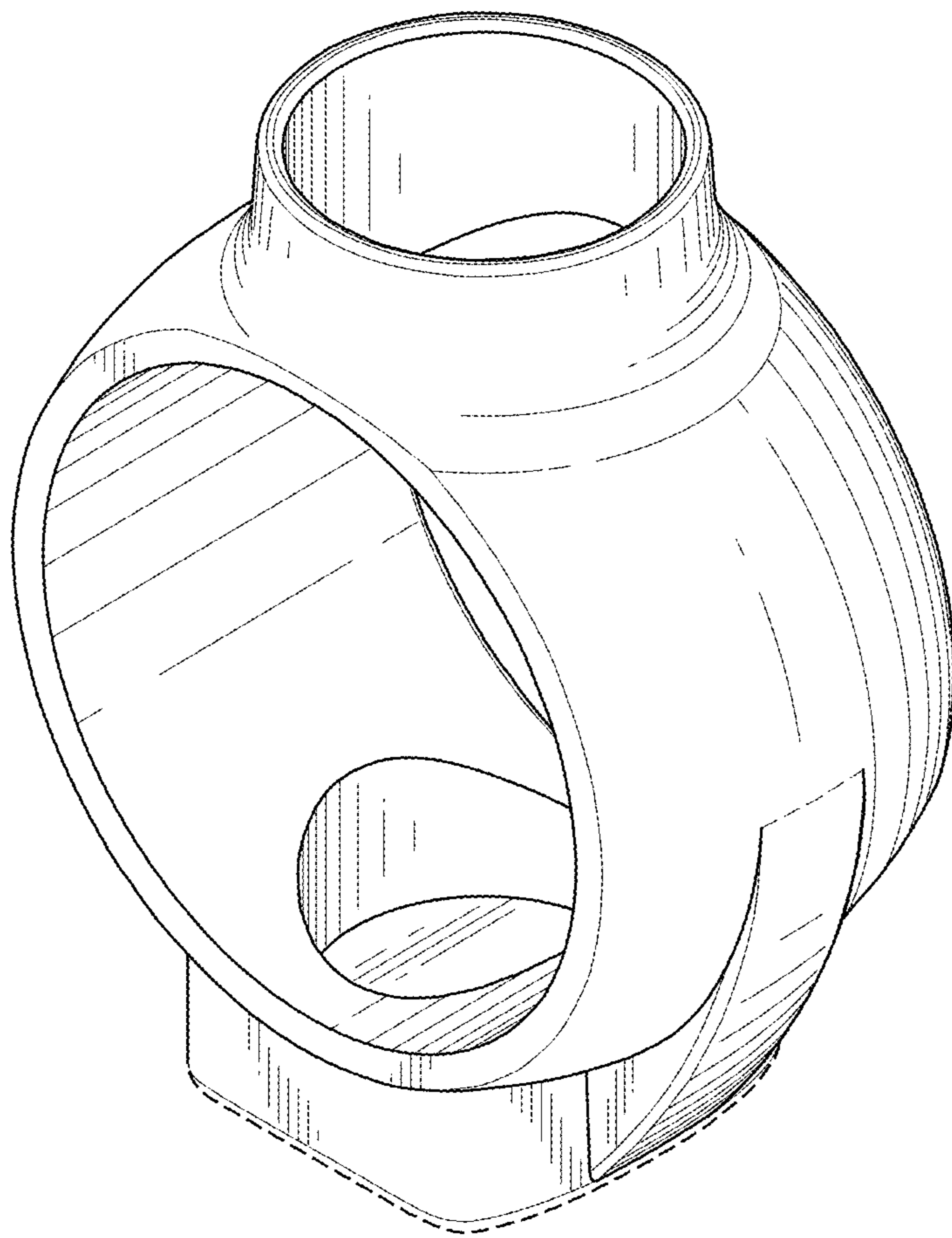


Fig. 1

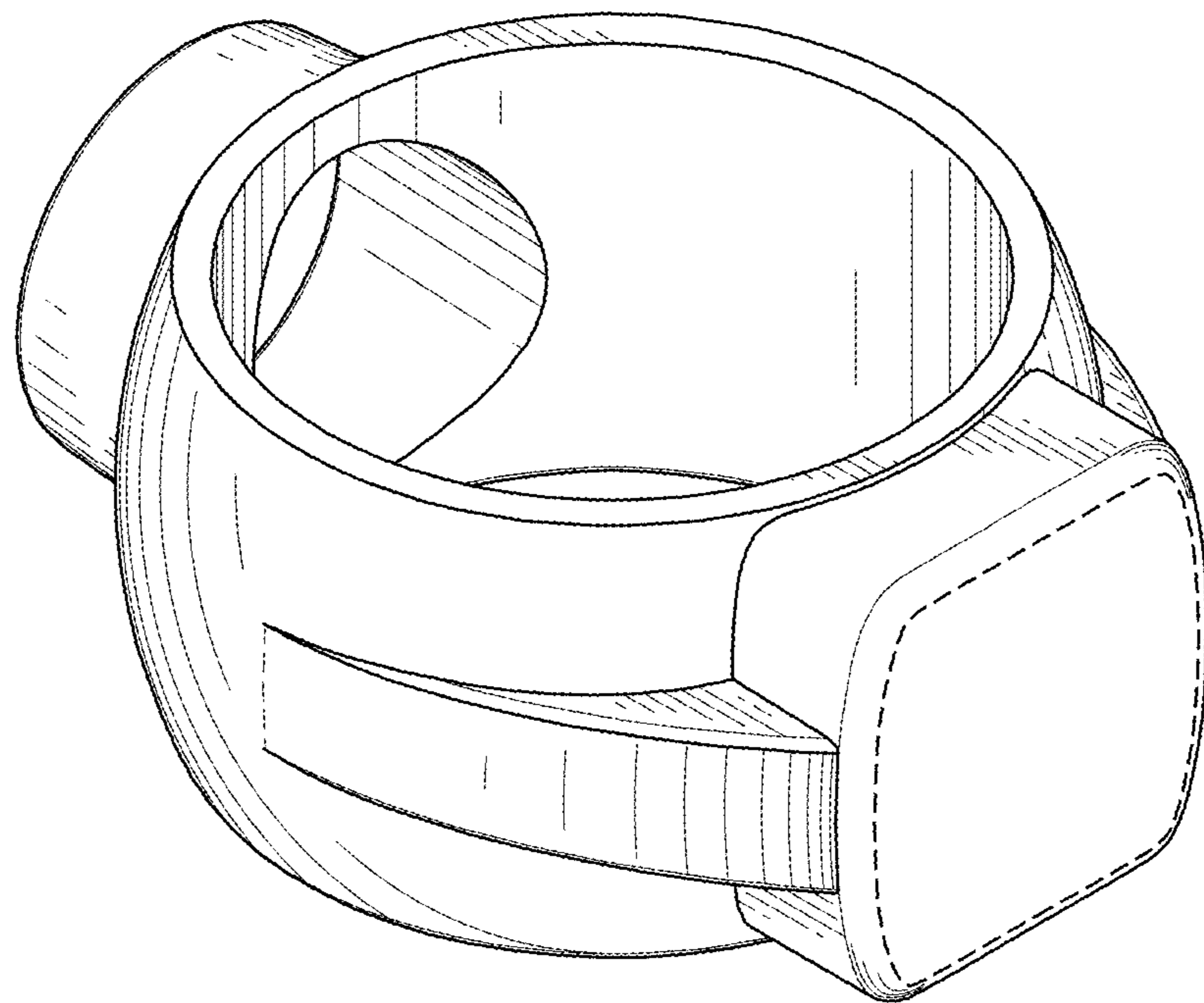


Fig. 2

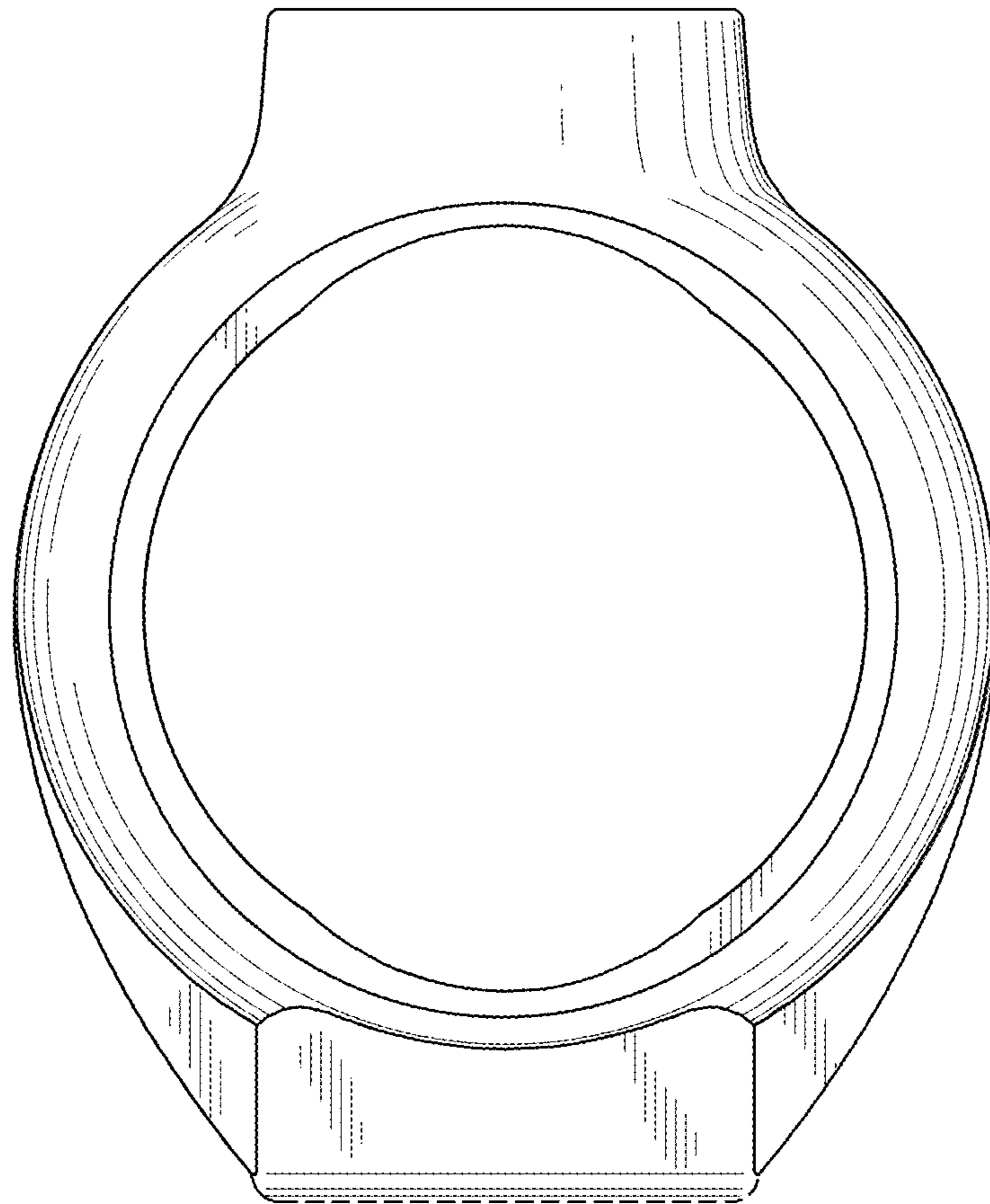


Fig. 3

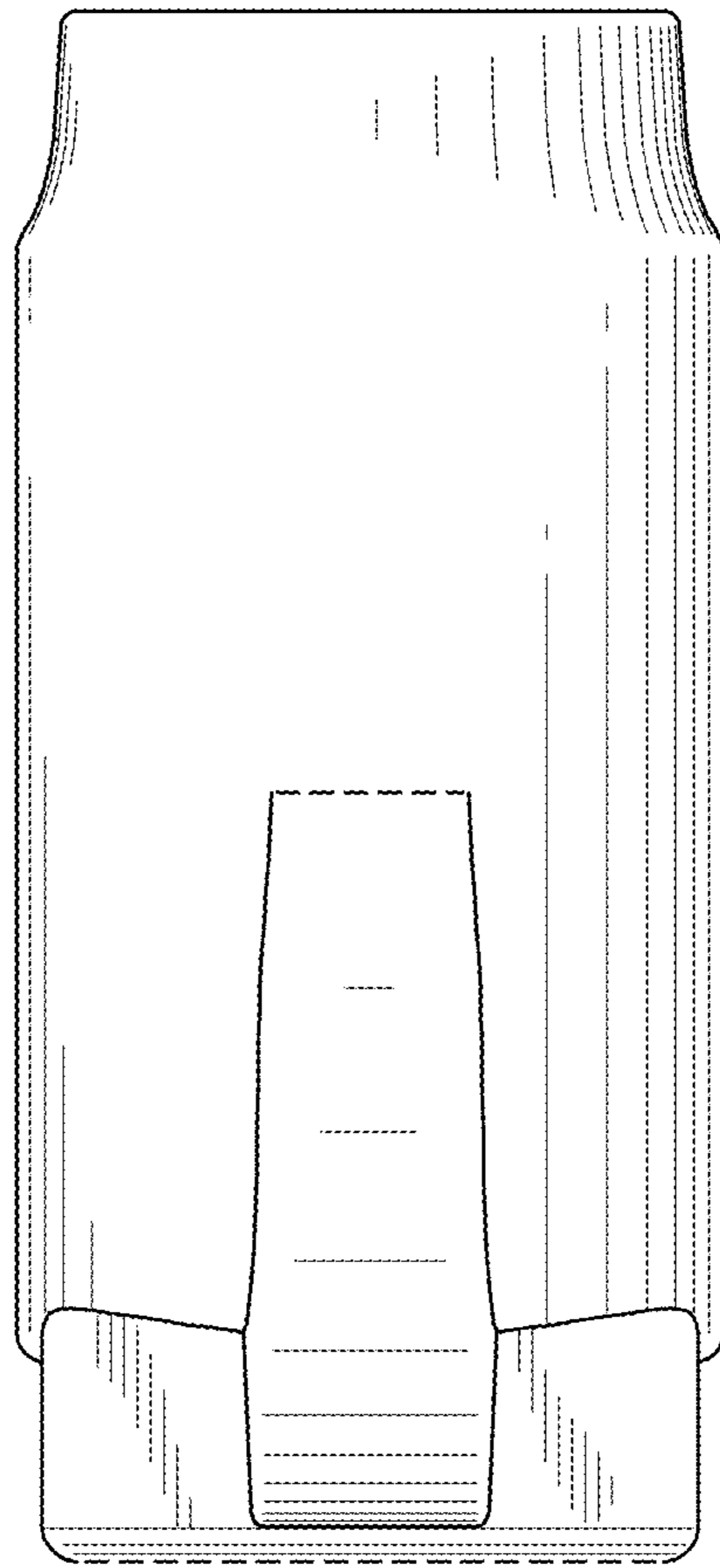


Fig. 4

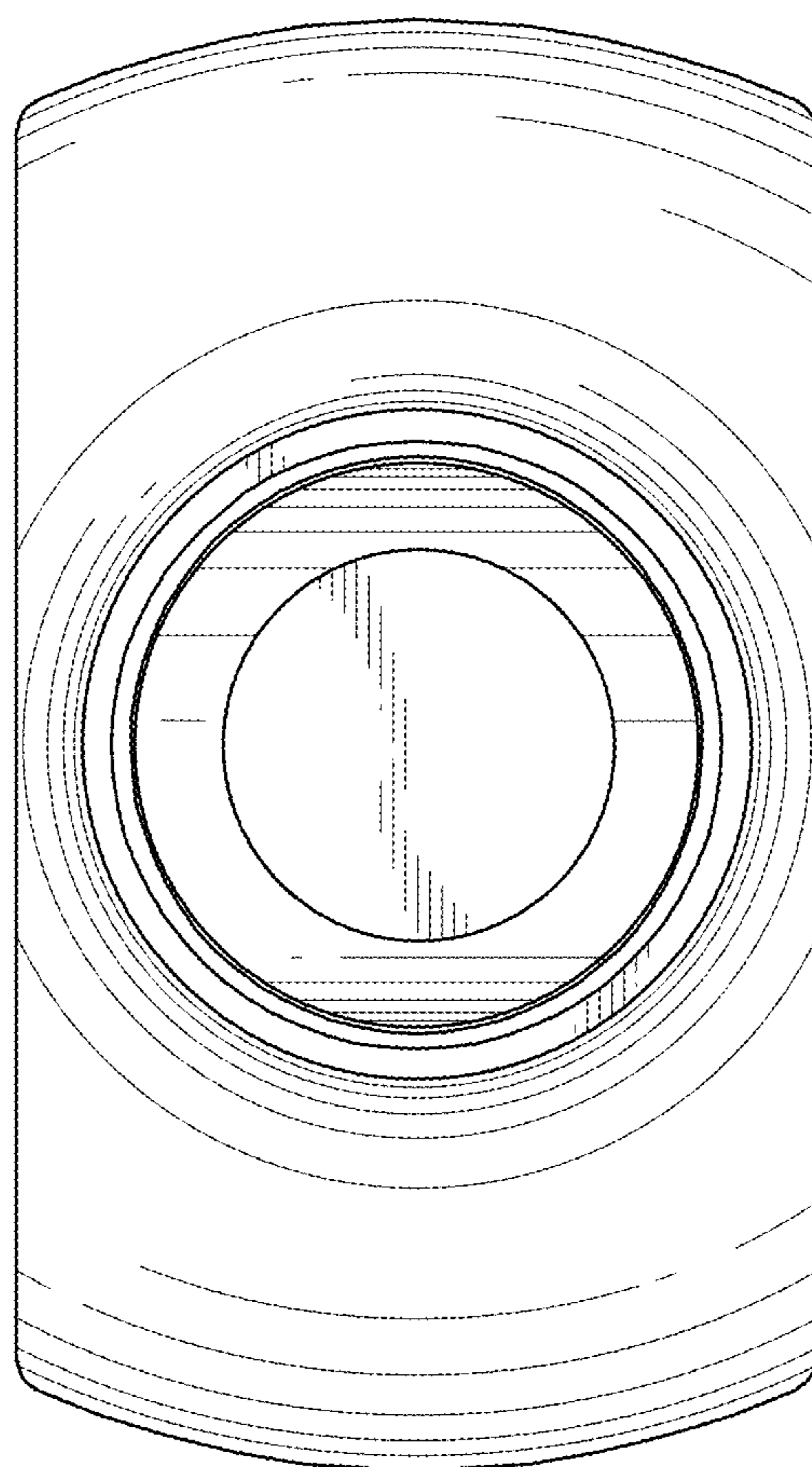


Fig. 5

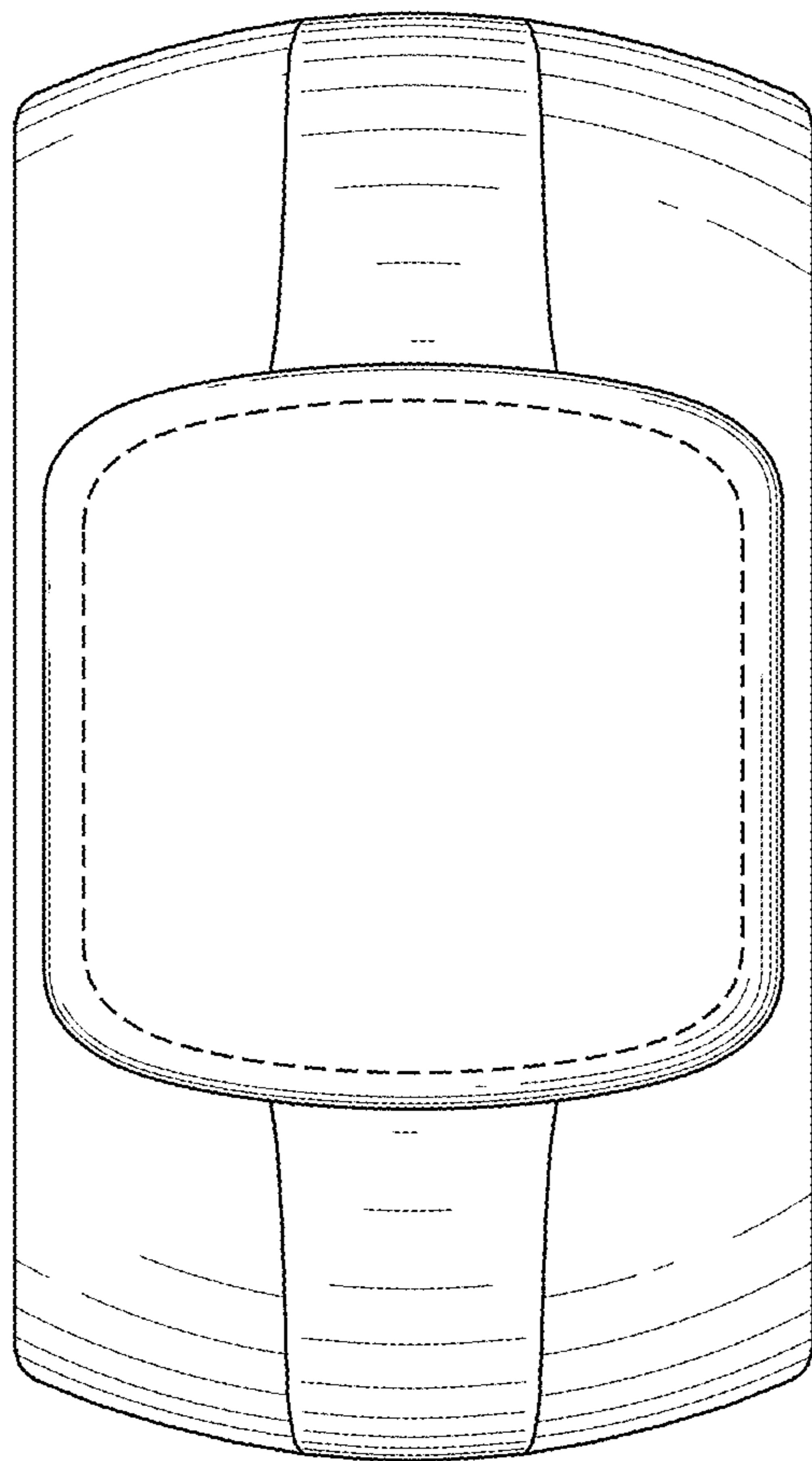


Fig. 6