



US00D832736S

(12) **United States Design Patent** (10) **Patent No.:** **US D832,736 S**
Khubani (45) **Date of Patent:** **** Nov. 6, 2018**

- (54) **TREE DECORATING APPARATUS**
- (71) Applicant: **Telebrands Corp.**, Fairfield, NJ (US)
- (72) Inventor: **Ajit Khubani**, Saddle River, NJ (US)
- (73) Assignee: **Telebrands Corp.**, Fairfield, NJ (US)
- (**) Term: **15 Years**
- (21) Appl. No.: **29/586,886**
- (22) Filed: **Dec. 7, 2016**

D287,769 S * 1/1987 Davis D11/119
 4,705,483 A * 11/1987 Davis H01R 25/003
 439/502
 4,736,282 A * 4/1988 Ahroni F21S 2/00
 362/123

(Continued)

FOREIGN PATENT DOCUMENTS

CA	1270292	6/1990
DE	202006008823	9/2006
WO	WO 2010007189	1/2010

OTHER PUBLICATIONS

GeekMyTree Easy Setup, Dec. 16, 2015, [online], [site visited Aug. 10, 2017]. Retrieved from url:<https://www.youtube.com/watch?v=asA18MqD87c>.*

(Continued)

Primary Examiner — Jeffrey D Asch
Assistant Examiner — Tracey J Bell
 (74) *Attorney, Agent, or Firm* — Cooper & Dunham, LLP

(57) **CLAIM**

The ornamental design for a tree decorating apparatus, as shown and described.

DESCRIPTION

FIG. 1 is a top perspective view of a tree decorating apparatus in accordance with the present design;
 FIG. 2 is a bottom perspective view thereof;
 FIG. 3 is a left side view thereof;
 FIG. 4 is a right side view thereof;
 FIG. 5 is a top view thereof; and,
 FIG. 6 is a bottom view thereof.
 The broken lines in the figures illustrate portions of the tree decorating apparatus that form no part of the claimed design.
 The shading represents contour of the claimed design.

1 Claim, 4 Drawing Sheets

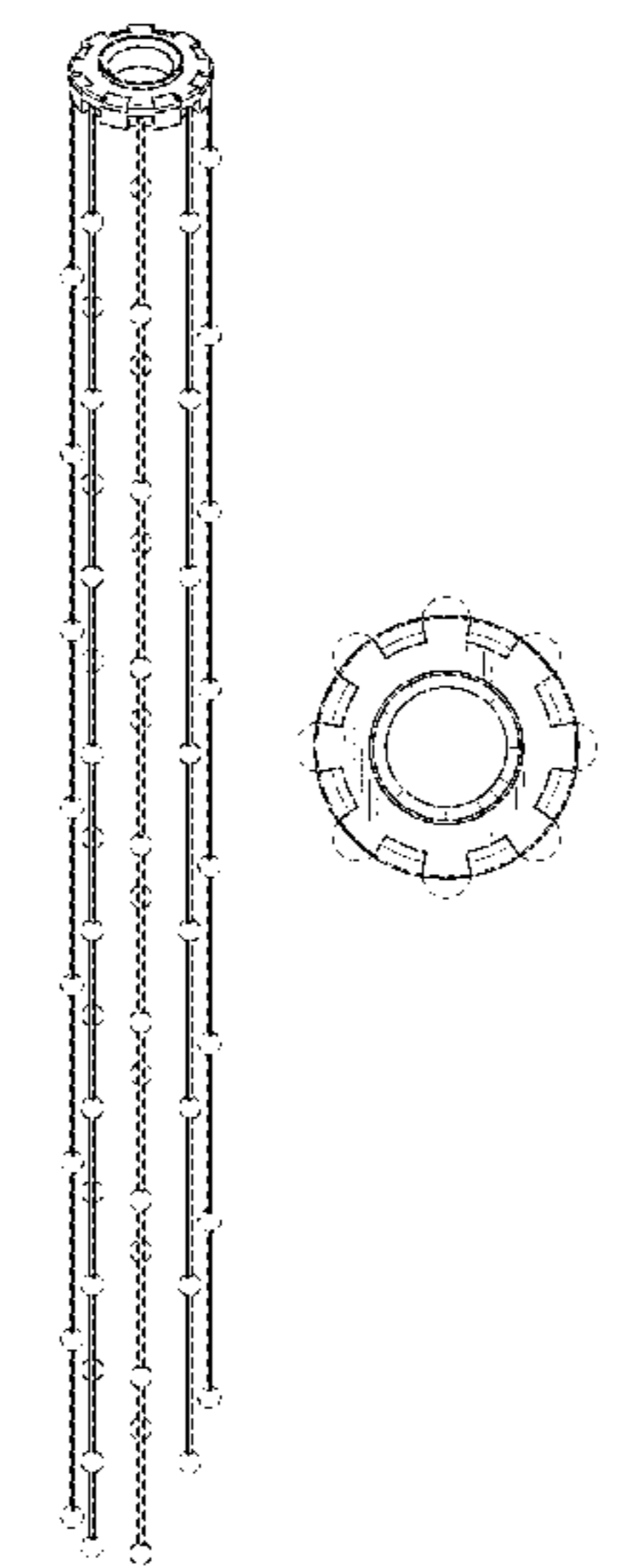
Related U.S. Application Data

- (63) Continuation of application No. 29/571,152, filed on Jul. 14, 2016.
- (51) **LOC (11) Cl.** **11-05**
- (52) **U.S. Cl.**
USPC **D11/121**
- (58) **Field of Classification Search**
USPC D11/40, 41, 42, 121, 124, 125, 130, 127,
D11/132, 139, 17, 79, 91, 76, 117, 118;
428/7, 8, 9, 11, 18, 20; D26/25; D20/10,
D20/99; 326/123; 362/294.14
CPC A47G 33/08; A47G 2033/0827; A47G
2033/089; Y10S 362/806; Y10S 362/811;
Y10S 493/956; F21W 2121/04; F21S
4/10; F21V 23/003
See application file for complete search history.

(56) **References Cited**

U.S. PATENT DOCUMENTS

2,242,597	A *	5/1941	Quandee	F21V 23/06 362/123
2,919,810	A *	1/1960	Pease	F21S 4/10 211/26
3,723,723	A *	3/1973	Lerner	F21S 4/10 362/124
4,591,227	A	5/1986	Colonna		
4,612,219	A *	9/1986	Tengs	A47G 33/06 428/11



(56)

References Cited

U.S. PATENT DOCUMENTS

4,870,547 A 9/1989 Crucefix
 5,057,976 A 10/1991 DuMong
 5,094,893 A * 3/1992 Snider A47G 33/06
 211/205
 5,150,963 A 9/1992 Hill
 D358,673 S * 5/1995 Thompson D11/121
 5,488,549 A * 1/1996 Miller A01G 5/04
 211/195
 5,523,130 A 6/1996 Sullivan
 5,700,081 A 12/1997 Mengle
 5,746,504 A * 5/1998 Dodson F21V 21/088
 362/123
 D406,667 S * 3/1999 Byers D11/121
 D415,583 S * 10/1999 Byers D11/121
 6,062,701 A * 5/2000 Hines A47G 33/06
 362/123
 6,224,231 B1 * 5/2001 Personius F21V 19/04
 362/123
 6,285,140 B1 9/2001 Ruxton
 6,361,187 B1 * 3/2002 Adams A47G 33/06
 362/145
 6,386,728 B1 5/2002 Colonna
 6,424,096 B1 7/2002 Lowe
 6,652,927 B1 * 11/2003 Chen A47G 33/06
 362/123
 6,663,921 B1 * 12/2003 Quigel A47G 33/06
 248/122.1
 6,777,891 B2 8/2004 Lys
 7,102,301 B2 9/2006 Oskorep
 D582,582 S * 12/2008 Ferrigno D26/25
 8,087,796 B2 * 1/2012 Golembiowski F21V 21/00
 362/122
 8,240,883 B2 8/2012 Barbieri
 8,299,719 B1 10/2012 Moshirnorozi
 8,376,584 B1 * 2/2013 Jenko F21S 4/15
 362/123
 8,378,781 B1 2/2013 Peterson

8,476,835 B1 7/2013 Parisi
 8,678,615 B1 3/2014 Ko
 8,841,844 B2 9/2014 Neuman
 8,941,312 B2 1/2015 McRae
 9,157,587 B2 10/2015 Chen
 D748,299 S * 1/2016 Tunno D26/25
 9,523,486 B2 * 12/2016 Boyink F21V 23/003
 2007/0230174 A1 * 10/2007 Hicks A47G 33/06
 362/249.16
 2011/0076425 A1 * 3/2011 Cheng A47G 33/06
 428/8
 2012/0027961 A1 * 2/2012 Fogle A47G 33/0863
 428/8
 2013/0201658 A1 8/2013 Bogart
 2014/0272202 A1 * 9/2014 Tsai A47G 33/06
 428/8
 2015/0070878 A1 3/2015 Yu
 2015/0102731 A1 4/2015 Altamura
 2015/0192285 A1 * 7/2015 Chen F21V 23/06
 315/185 R
 2015/0366039 A1 12/2015 Noori
 2016/0021724 A1 1/2016 Kinderman
 2016/0178172 A1 * 6/2016 Boyink F21V 23/003
 362/123

OTHER PUBLICATIONS

Tree Dazzler Deluxe Christmas Tree Lights, as archived by the Internet Archive on Nov. 26, 2016, [online], [site visited Aug. 10, 2017]. Retrieved from url:<https://web.archive.org/web/20161126145831/https://www.hsn.com/products/tree-dazzler-deluxe-christmas-tree-lights/8205253>.
 Printed Instructions for iTwinkle Light Set, available from Nicolas Holiday Inc., obtained from <http://itwinklelight.com/Products6.aspx> on Aug. 25, 2017.
 GeekMyTree, available at www.geekmytree.com, accessed on Aug. 25, 2017.

* cited by examiner

FIG. 1

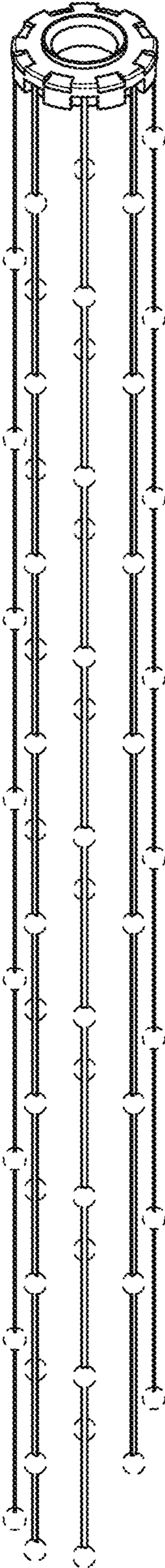


FIG. 2

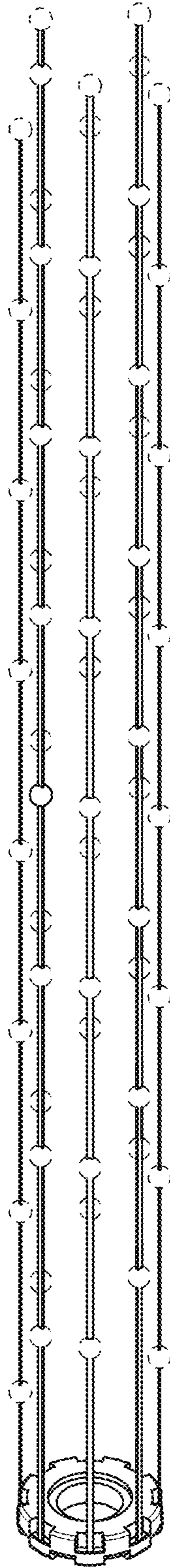


FIG. 3

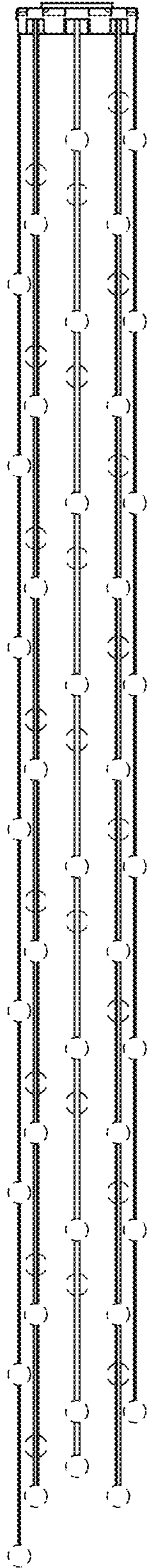


FIG. 4

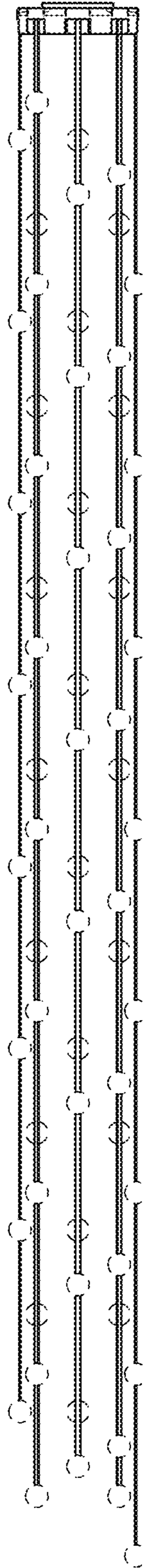


FIG. 5

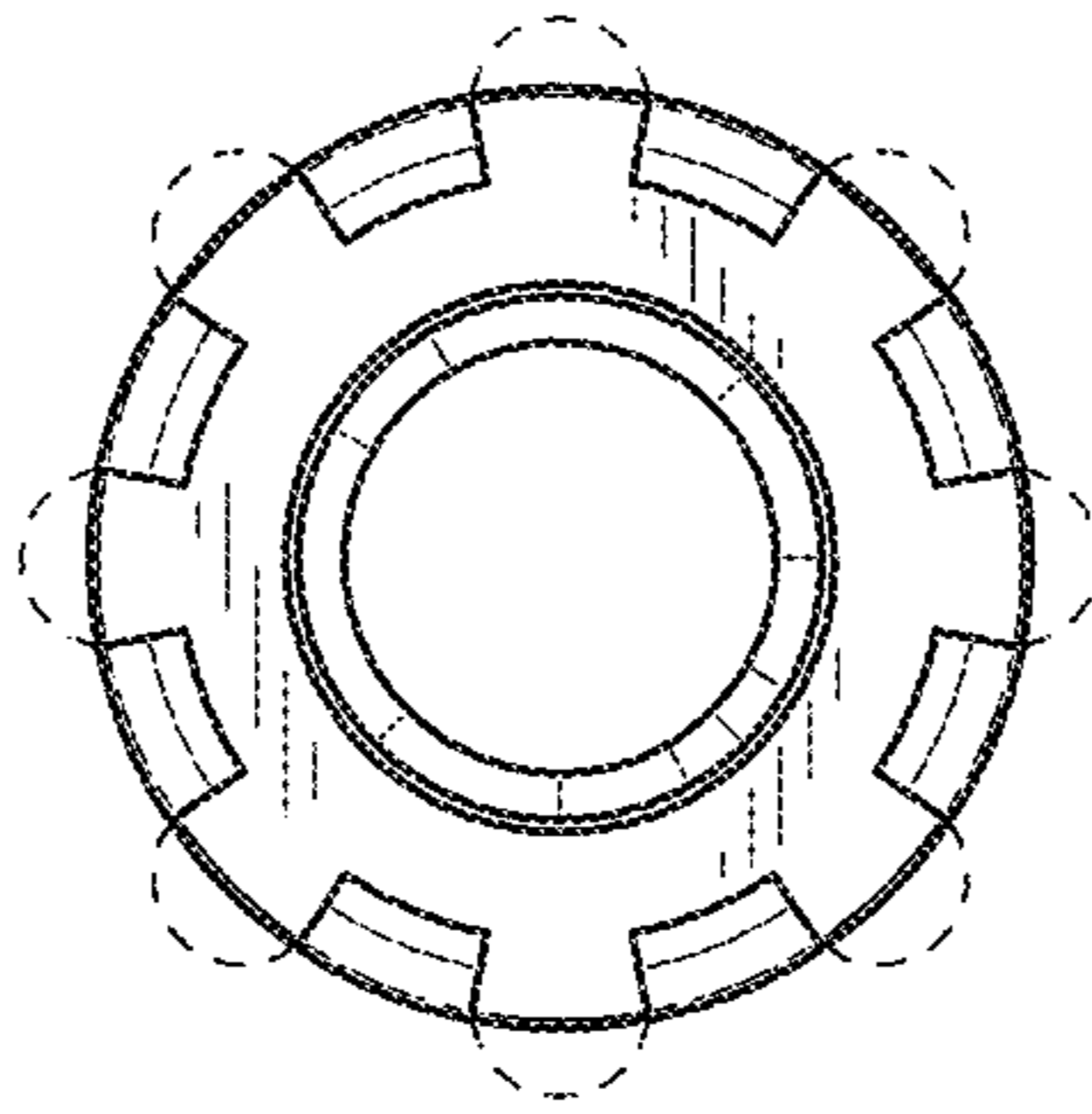


FIG. 6

